



US00D883257S

(12) **United States Design Patent**
Duddy

(10) **Patent No.:** **US D883,257 S**

(45) **Date of Patent:** **** May 5, 2020**

(54) **WIRELESS EARPHONE**

(71) Applicant: **Logitech Europe S.A.**, Lausanne (CH)

(72) Inventor: **Stephen Duddy**, Moama (AU)

(73) Assignee: **LOGITECH EUROPE, S.A.**,
Lausanne (CH)

(**) Term: **15 Years**

(21) Appl. No.: **29/617,424**

(22) Filed: **Sep. 13, 2017**

(51) **LOC (12) Cl.** **14-01**

(52) **U.S. Cl.**
USPC **D14/223; D14/205**

(58) **Field of Classification Search**
USPC D14/203.1, 204–206, 208–210, 212–217,
D14/219, 221–225, 249, 372, 433, 138 R,
D14/182, 188, 191–194, 172, 496;
D29/112; D28/41; D2/875;
D24/173–175, 106; D3/294, 273;
D13/118, 108, 119
CPC H04R 25/02; H04R 25/00; H04R 1/10;
H04R 1/1016; H04R 1/105; H04R
1/1083; H04R 1/02; H04R 1/1041; H04R
1/28; H04R 5/033; H04R 2420/07; H04R
2430/00; H04R 2430/01

See application file for complete search history.

(56) **References Cited**

U.S. PATENT DOCUMENTS

D274,516 S *	7/1984	Walker, Jr.	D14/249
D333,468 S *	2/1993	Hansen	D14/222
D375,556 S *	11/1996	Narisawa	D24/174
5,781,638 A *	7/1998	Hosaka	H04R 1/1016 381/322
D397,796 S *	9/1998	Yabe	D24/174
D401,588 S *	11/1998	Fushimi	D14/222
D405,528 S *	2/1999	Shennib	D24/174

D429,178 S *	8/2000	Yuen	D10/116.1
D487,455 S *	3/2004	Asahina	D14/216
D563,394 S *	3/2008	Donaldson	D14/223
D585,824 S *	2/2009	Ebodi	D13/108
D597,084 S *	7/2009	Gondo	D14/223

(Continued)

FOREIGN PATENT DOCUMENTS

CN	302973811	*	10/2014
CN	303550867	*	1/2016

(Continued)

Primary Examiner — T Chase Nelson

Assistant Examiner — Mary Claire Ramirez

(74) *Attorney, Agent, or Firm* — Patterson & Sheridan,
LLP

(57) **CLAIM**

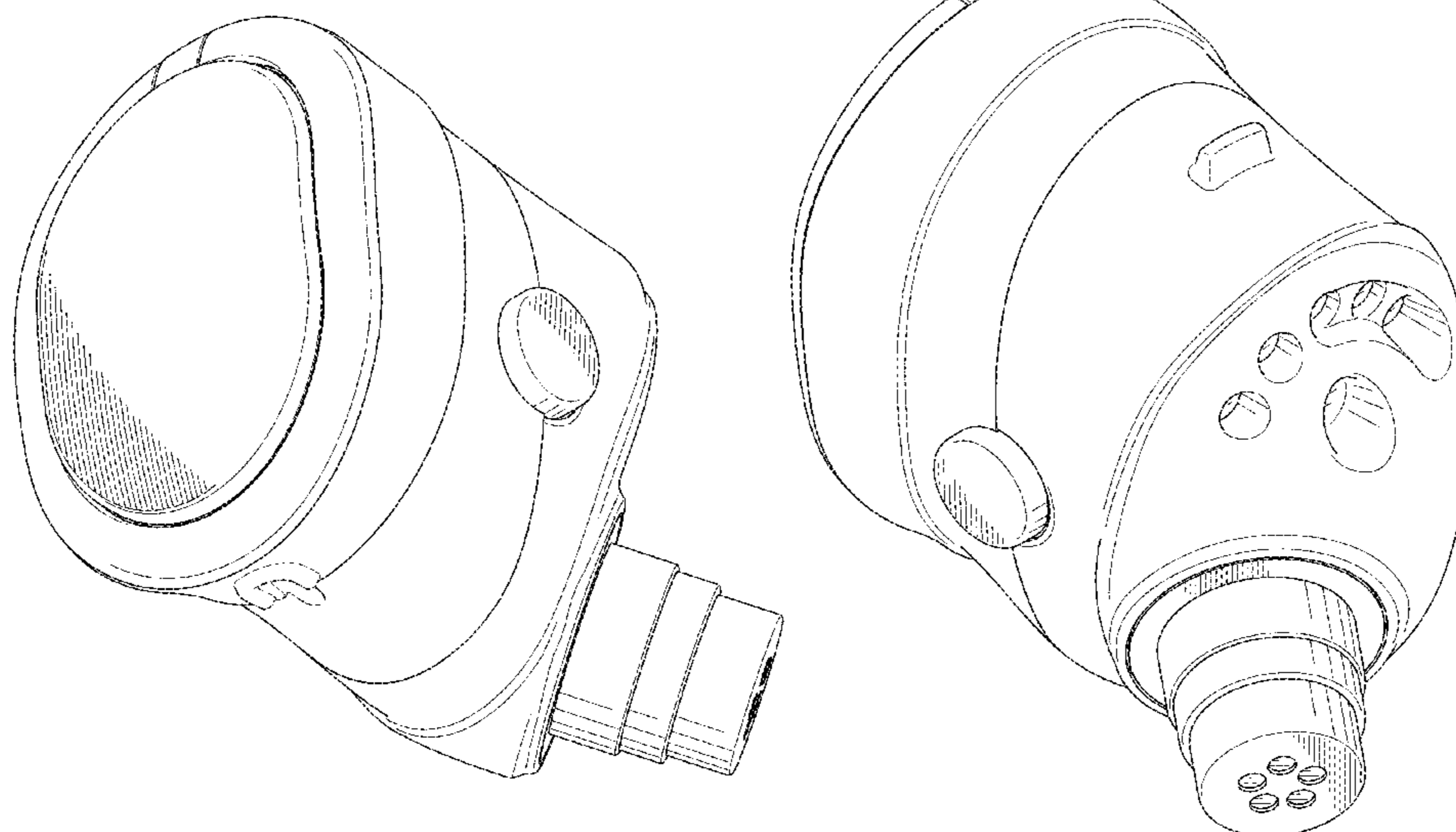
The ornamental design for a wireless earphone, as shown and described.

DESCRIPTION

FIG. 1 is a top isometric view of a front side of a wireless earphone showing the new design;
FIG. 2 is a bottom isometric view of a front side thereof;
FIG. 3 is a top isometric view of a rear side thereof;
FIG. 4 is a front elevation view thereof;
FIG. 5 is a side elevation view thereof;
FIG. 6 is a rear elevation view thereof;
FIG. 7 is a left side elevation view thereof;
FIG. 8 is a top elevation view thereof;
FIG. 9 is a bottom elevation view thereof; and,
FIG. 10 is a top isometric view of the wireless earphone shown with an environment support.

The broken lines shown in FIG. 10 show an environmental support in which the wireless earphone can be positioned that forms no part of the claimed design. All other broken lines shown in the drawings depict portions of the wireless earphone that form no part of the claimed design.

1 Claim, 10 Drawing Sheets



(56)

References Cited

U.S. PATENT DOCUMENTS

D601,548	S	*	10/2009	Morisawa	D14/223
D603,370	S	*	11/2009	Suzuki	D14/205
D606,521	S	*	12/2009	Birger	D14/223
D617,770	S	*	6/2010	Sanguinetti	D14/205
D626,117	S	*	10/2010	Lowry	D14/223
D637,999	S	*	5/2011	Brunner	D14/205
D642,163	S	*	7/2011	Lee	D14/223
D705,757	S	*	5/2014	Yashiro	H04R 1/10 D14/223
D708,164	S	*	7/2014	Ishikura	D14/205
D735,178	S	*	7/2015	Yoon	D14/240
D795,224	S	*	8/2017	Valenzuela	D14/223
D798,843	S	*	10/2017	Valenzuela	D14/223
D806,879	S	*	1/2018	Horbinski	D24/174
D812,042	S	*	3/2018	Xiao	D14/223
D817,309	S	*	5/2018	Czaniecki	D14/223
D833,420	S	*	11/2018	Lindenberger	D14/223
D841,626	S	*	2/2019	Tang	D14/223
D864,919	S	*	10/2019	Bonahoom	D14/223
D870,708	S	*	12/2019	Lindenberger	D14/223
D872,064	S	*	1/2020	Cai	D14/223
2017/0339480	A1	*	11/2017	Lee	A61B 5/02438

FOREIGN PATENT DOCUMENTS

CN	303931455	*	11/2016
CN	304065761	*	3/2017
JP	D1567613	*	1/2017
JP	D1567619	*	1/2017

* cited by examiner

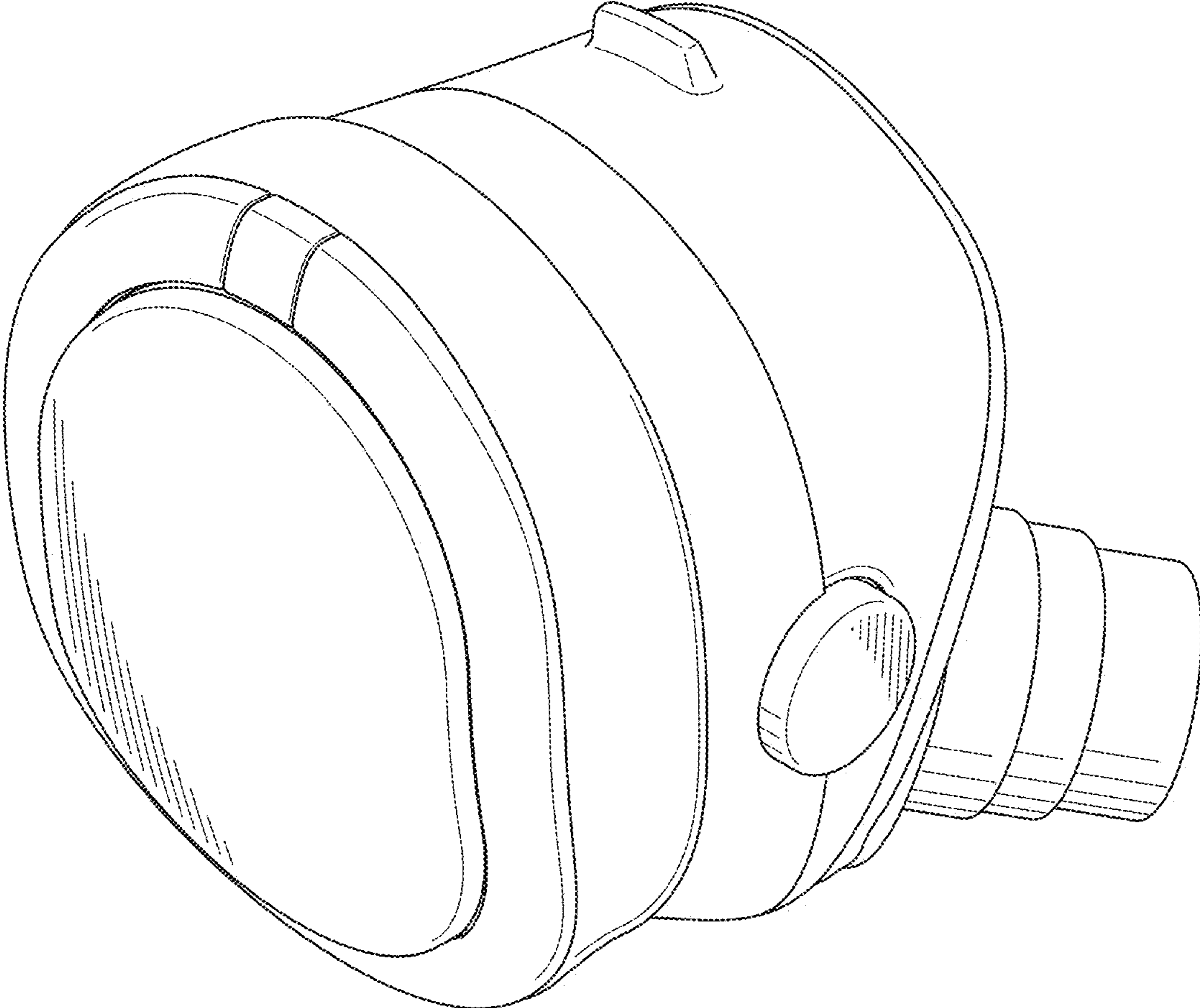


Fig. 1

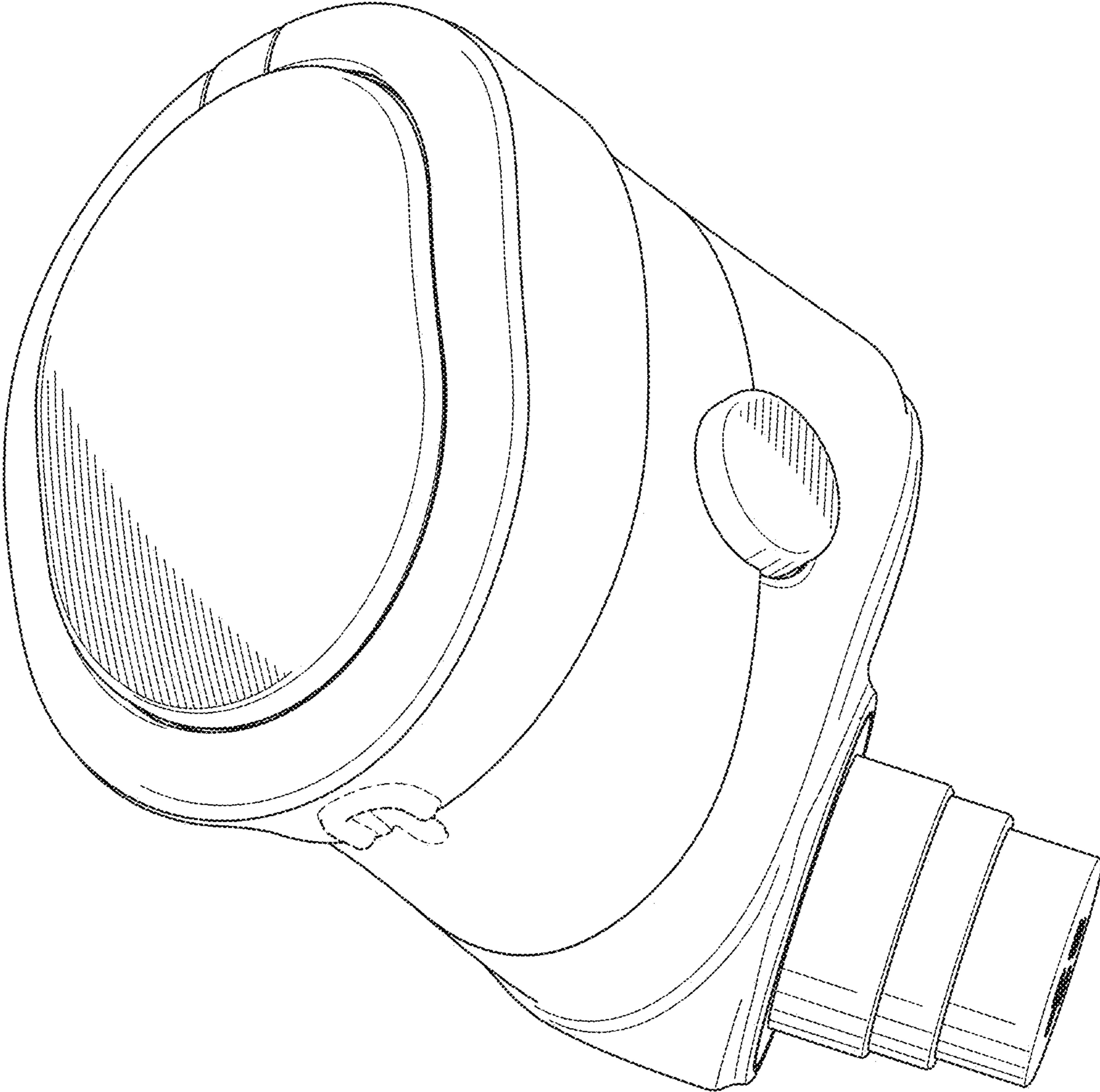


Fig. 2

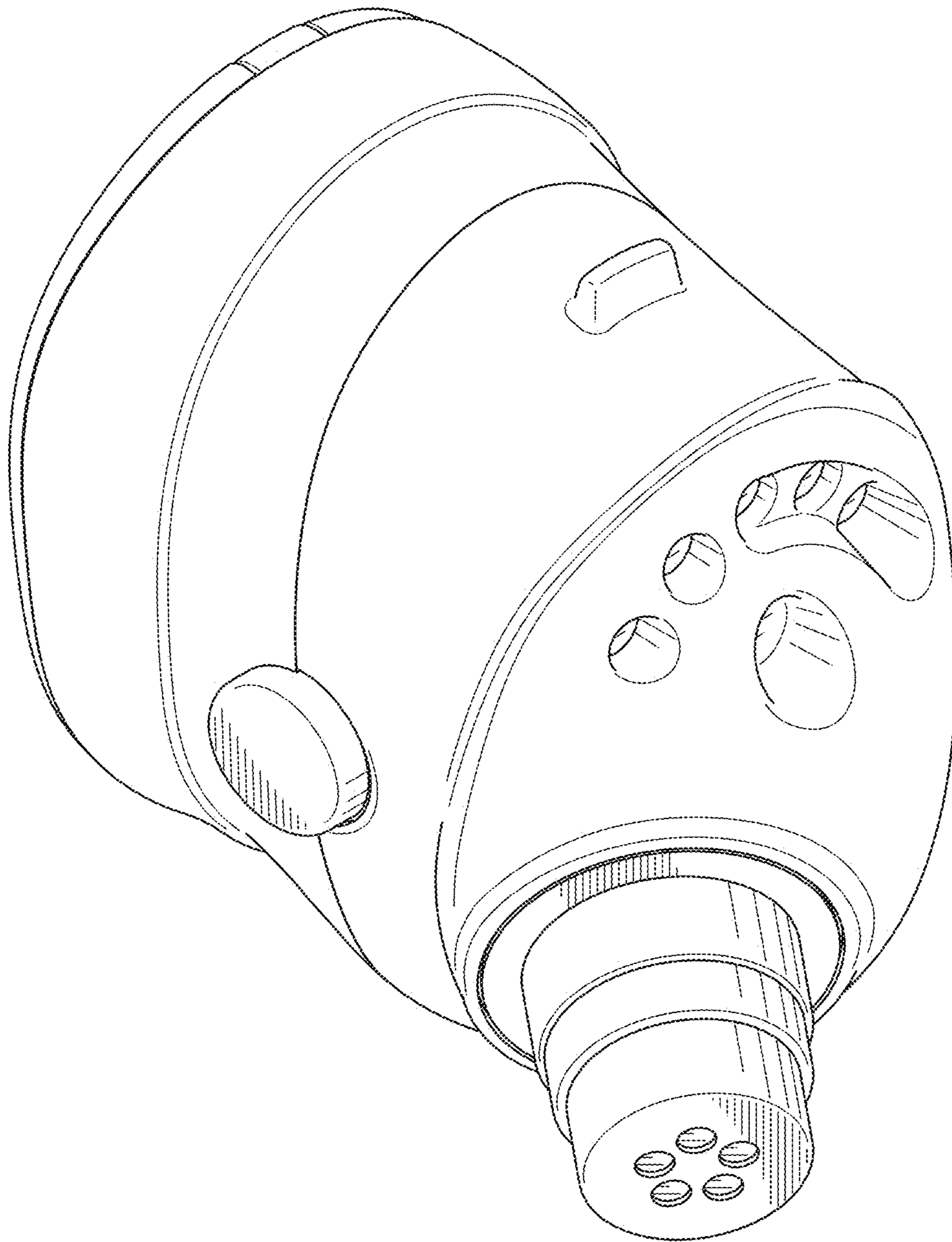


Fig. 3

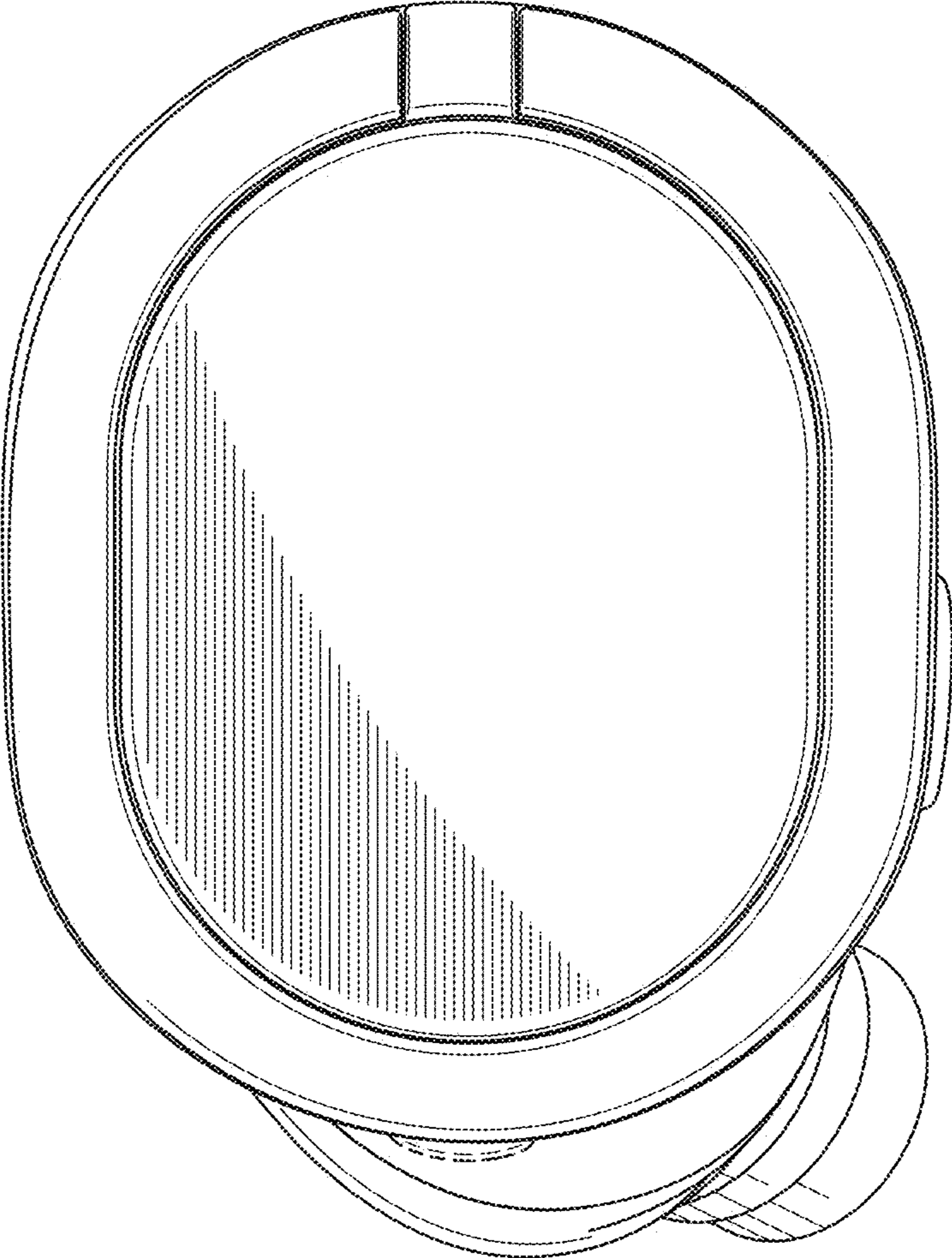


Fig. 4

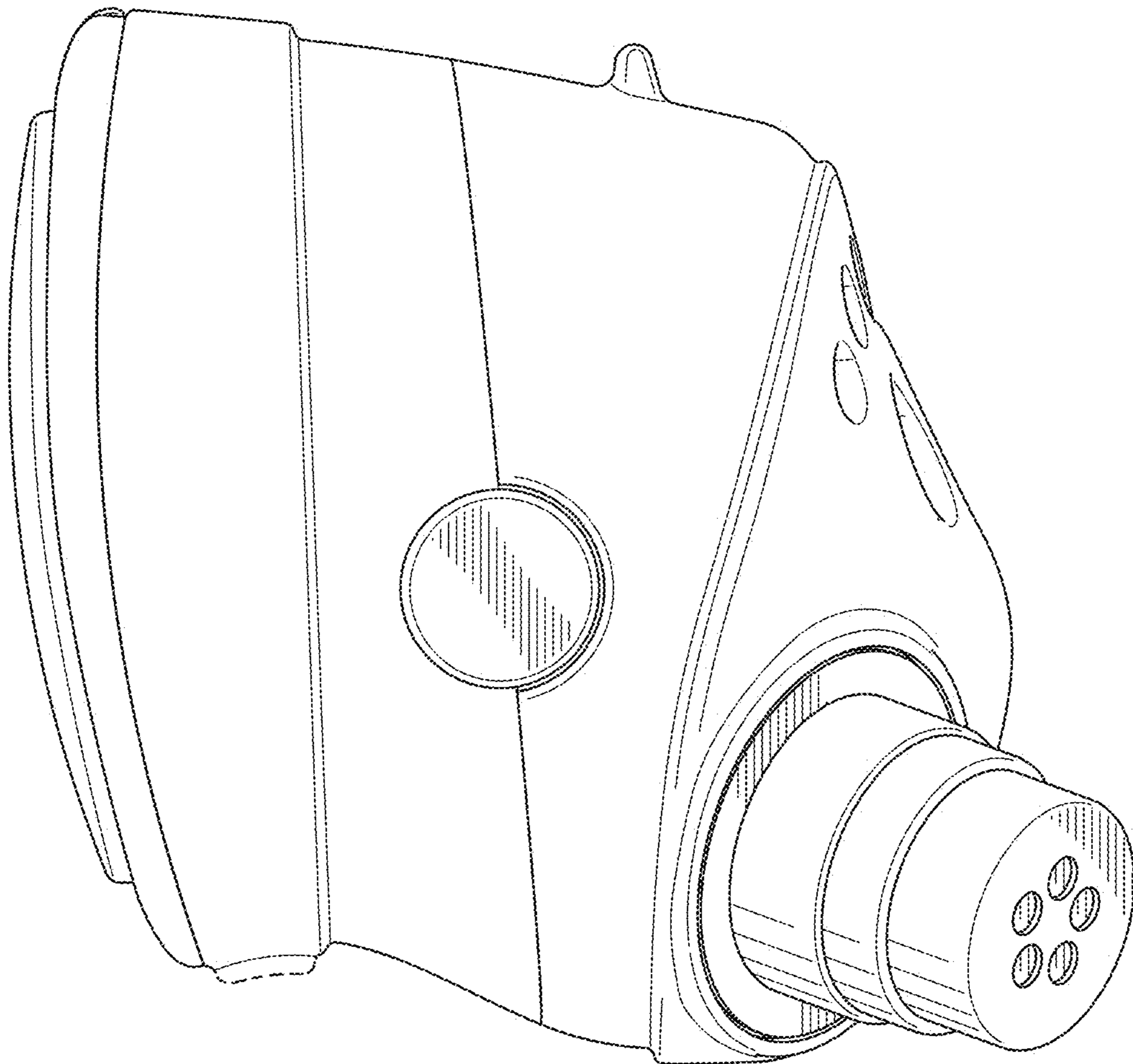


Fig. 5

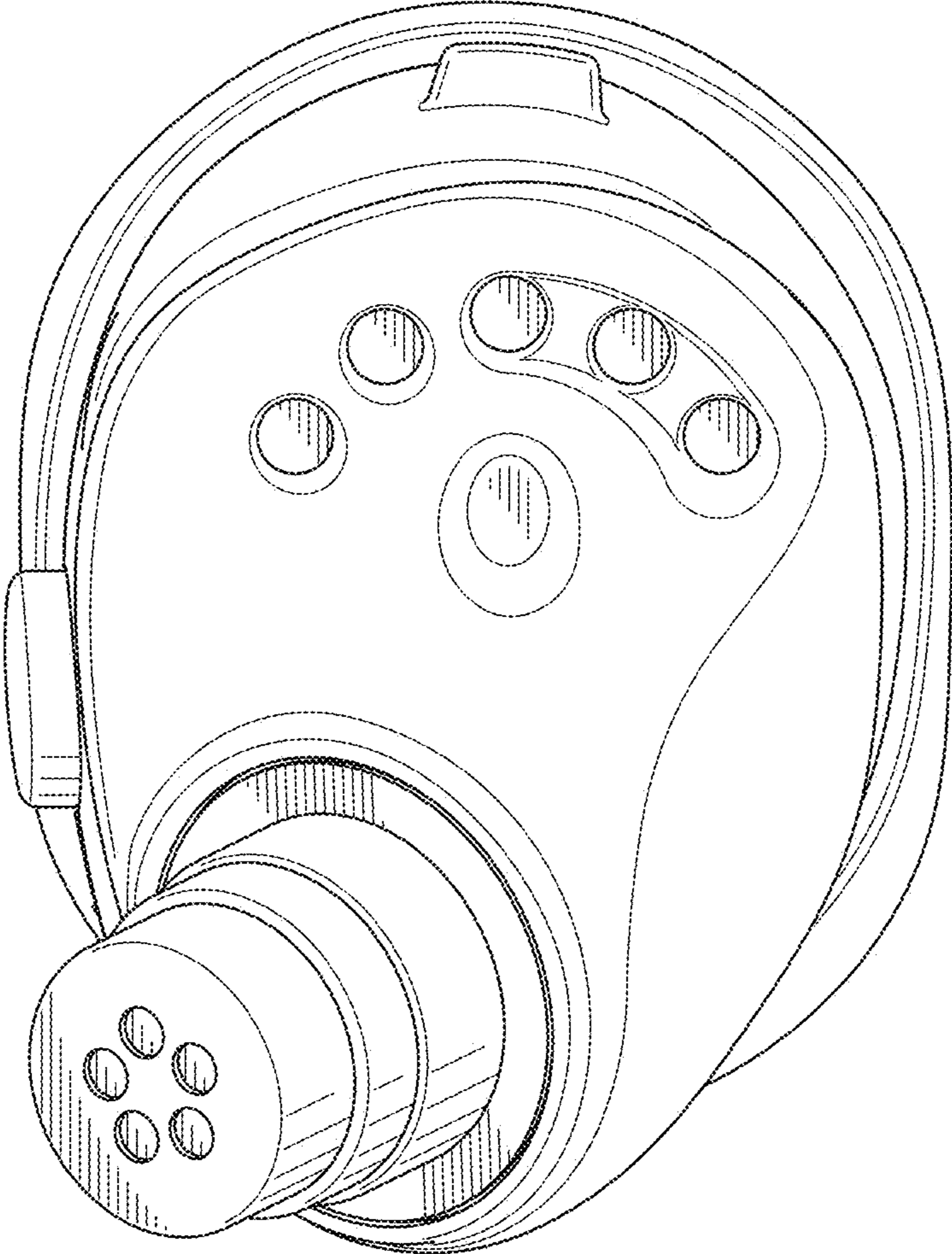


Fig. 6

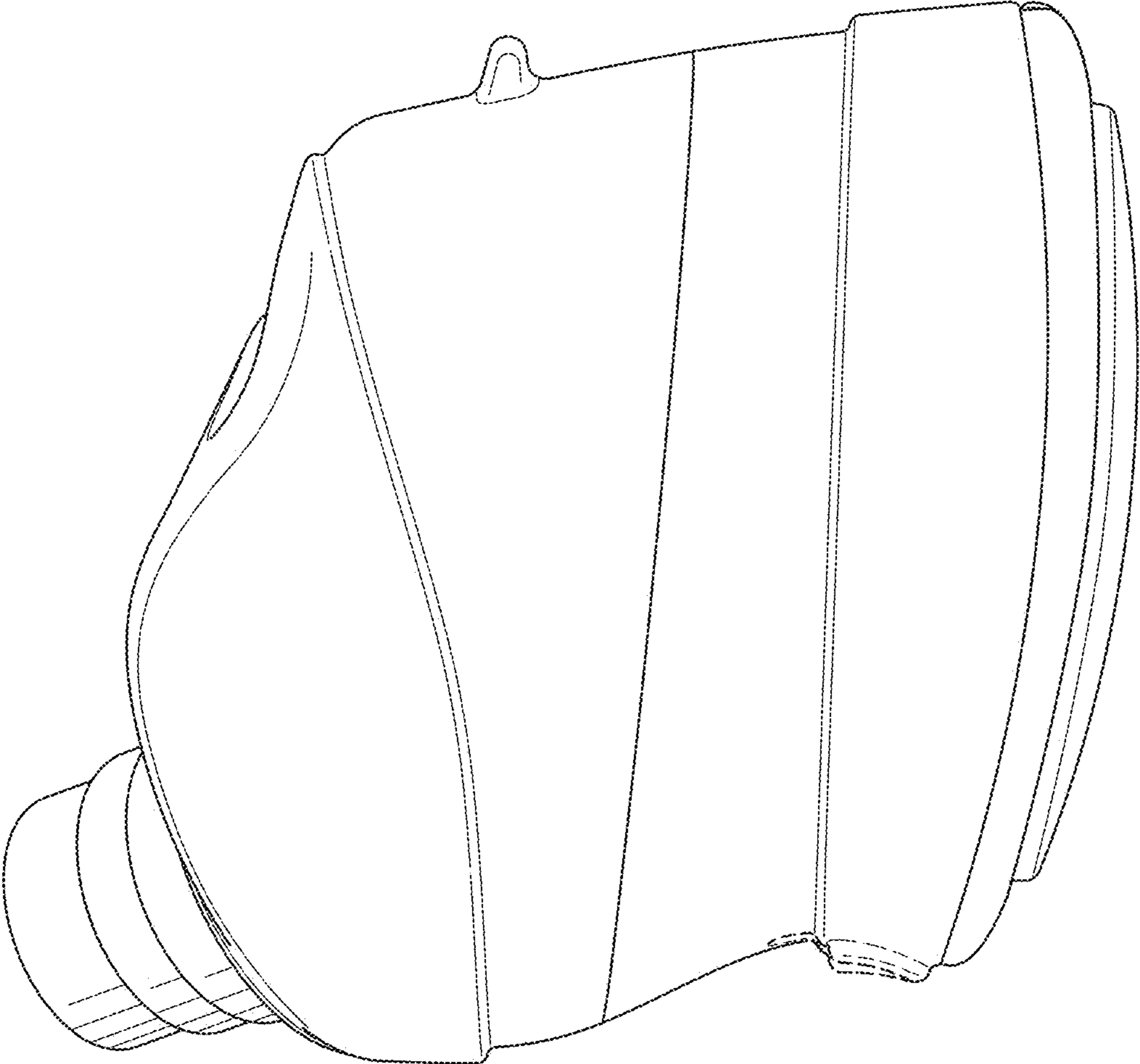


Fig. 7

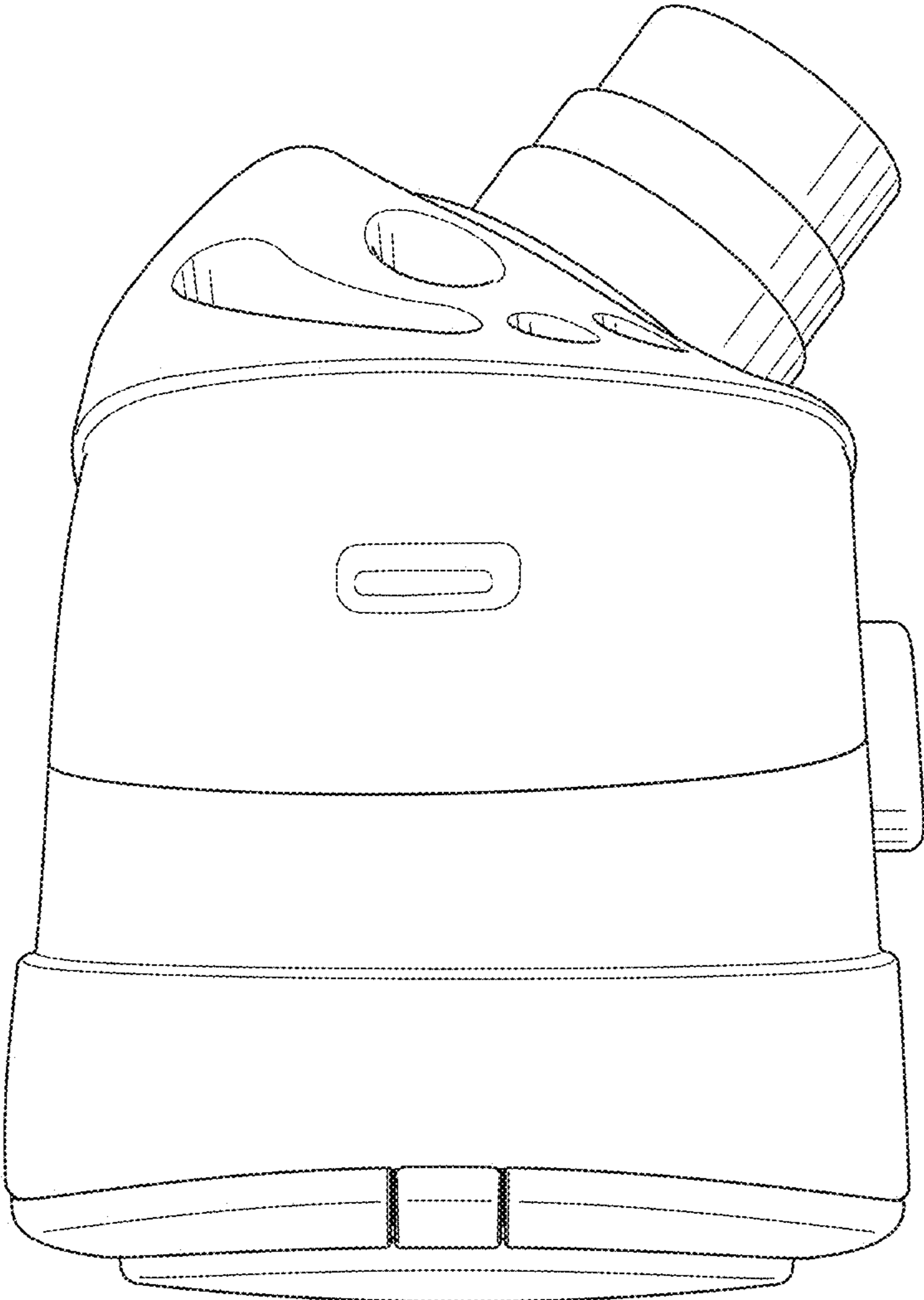


Fig. 8

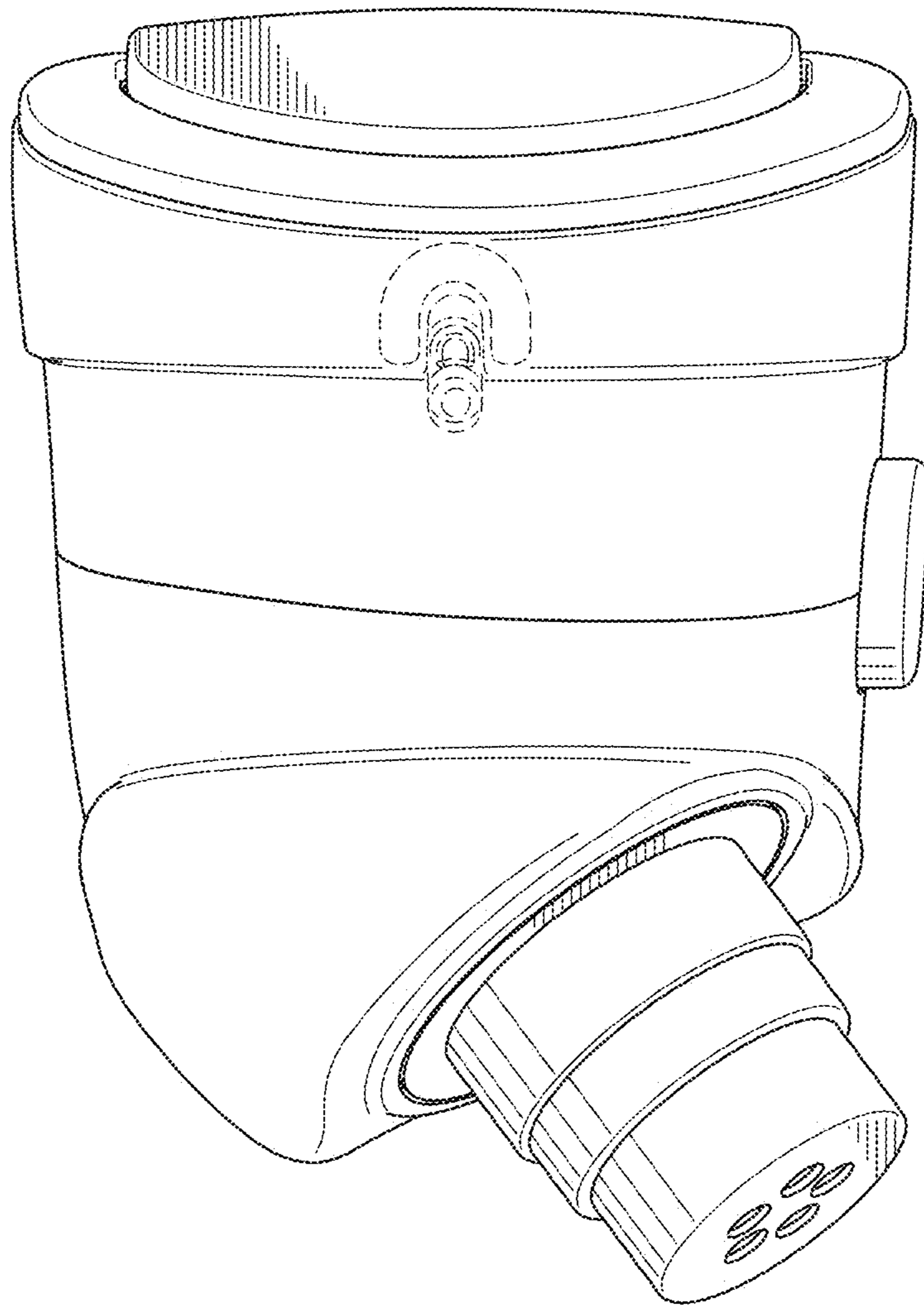


Fig. 9

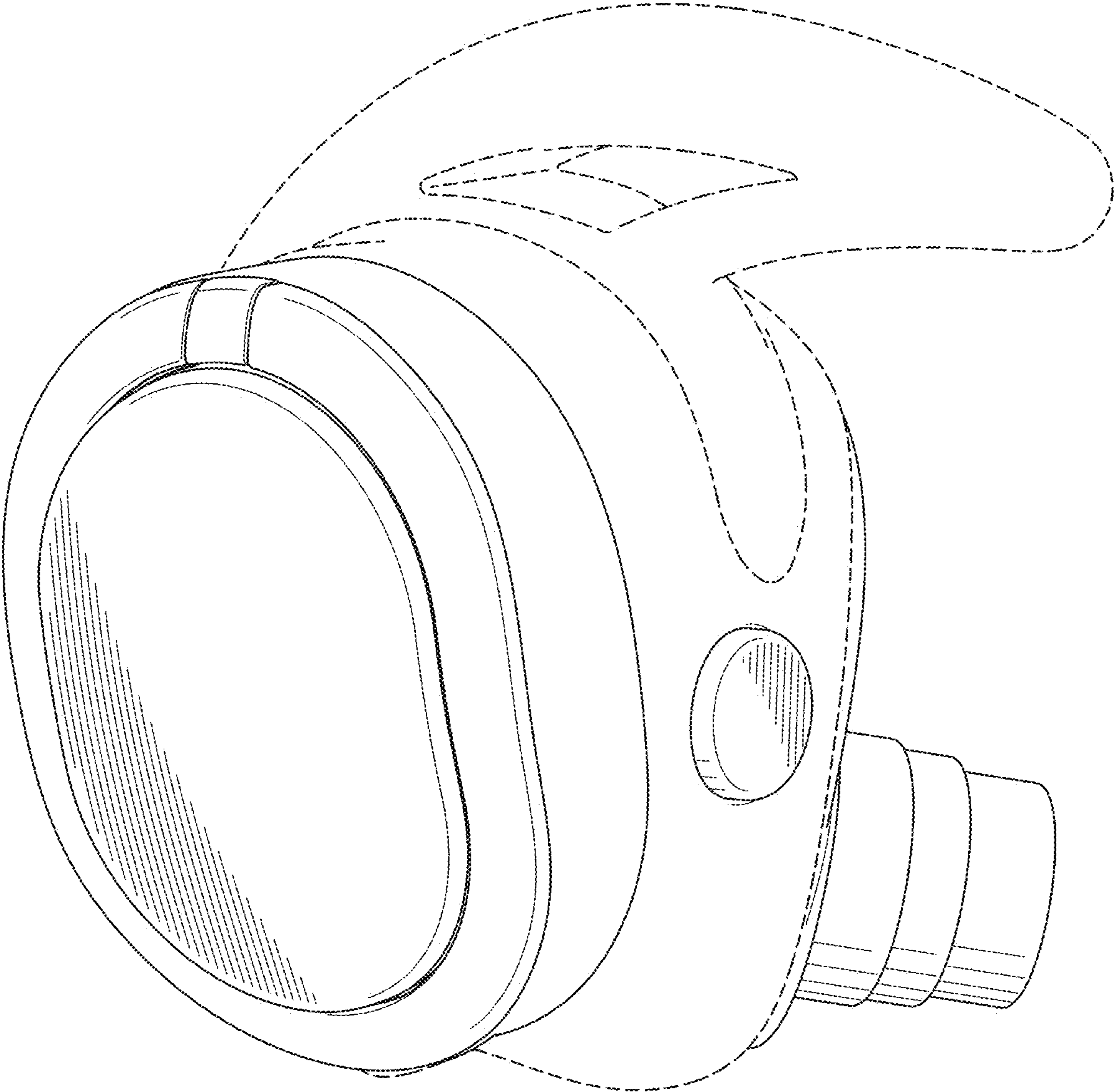


Fig. 10