



US00D883256S

(12) **United States Design Patent**
Zeng

(10) **Patent No.:** **US D883,256 S**

(45) **Date of Patent:** **** May 5, 2020**

(54) **SPEAKER DECORATION NET**

(71) Applicant: **Shenzhen Airmart Technology Co., Ltd, Shenzhen, Guangdong (CN)**

(72) Inventor: **Dejun Zeng, Guangdong (CN)**

(73) Assignee: **Shenzhen Airmart Technology Co., Ltd, Shenzhen (CN)**

(**) Term: **15 Years**

(21) Appl. No.: **29/674,164**

(22) Filed: **Dec. 19, 2018**

(30) **Foreign Application Priority Data**

Sep. 29, 2018 (CN) 2018 3 0552794

(51) **LOC (12) Cl.** **14-01**

(52) **U.S. Cl.**
USPC **D14/219**

(58) **Field of Classification Search**

USPC D14/219, 209, 210, 204, 215, 216, 214;
D26/89; D23/385, 388, 412; 362/373;
181/129, 130, 135, 168, 169, 150, 175;
381/380, 381, 413, 189; D7/667, 668,
D7/400, 408, 409; 455/90.3, 575.1, 569.1
CPC . H04R 1/02; H04R 11/02; H04R 9/06; H04R
25/00; H05K 5/03; H05K 1/181; A47J
43/24

See application file for complete search history.

(56) **References Cited**

U.S. PATENT DOCUMENTS

D185,505 S * 6/1959 Lowell D14/219
D209,249 S * 11/1967 Millitello D23/412
D230,996 S * 3/1974 Sandler D14/219
D244,781 S * 6/1977 Saidel D14/219
D246,519 S * 11/1977 Kato D14/205
D248,647 S * 7/1978 Nussdorfer D14/216

D254,490 S * 3/1980 Matsubara 181/157
D276,045 S * 10/1984 Kawachi D14/215
D281,067 S * 10/1985 Katsuno D14/215
D281,068 S * 10/1985 Katsuno D14/214
D294,348 S * 2/1988 Seebinger D14/219
D319,243 S * 8/1991 Yamakawa D14/215
D323,327 S * 1/1992 Davidson D14/219
D326,456 S * 5/1992 Hahn D14/219
D349,499 S * 8/1994 Collins D14/216
D356,089 S * 3/1995 Hedaya D14/215
D362,442 S * 9/1995 Goldfarb D14/215
D389,152 S * 1/1998 Kurihara D14/215
D504,416 S * 4/2005 Dayan D14/216
D504,882 S * 5/2005 Bhavnani D14/168
D508,043 S * 8/2005 Silverstein D14/219
D519,495 S * 4/2006 Lum D14/221
D526,310 S * 8/2006 Pantaleone D14/221
D537,072 S * 2/2007 Kim D14/215

(Continued)

FOREIGN PATENT DOCUMENTS

EM 004810000-0001 * 3/2018

Primary Examiner — Paula Allen Greene

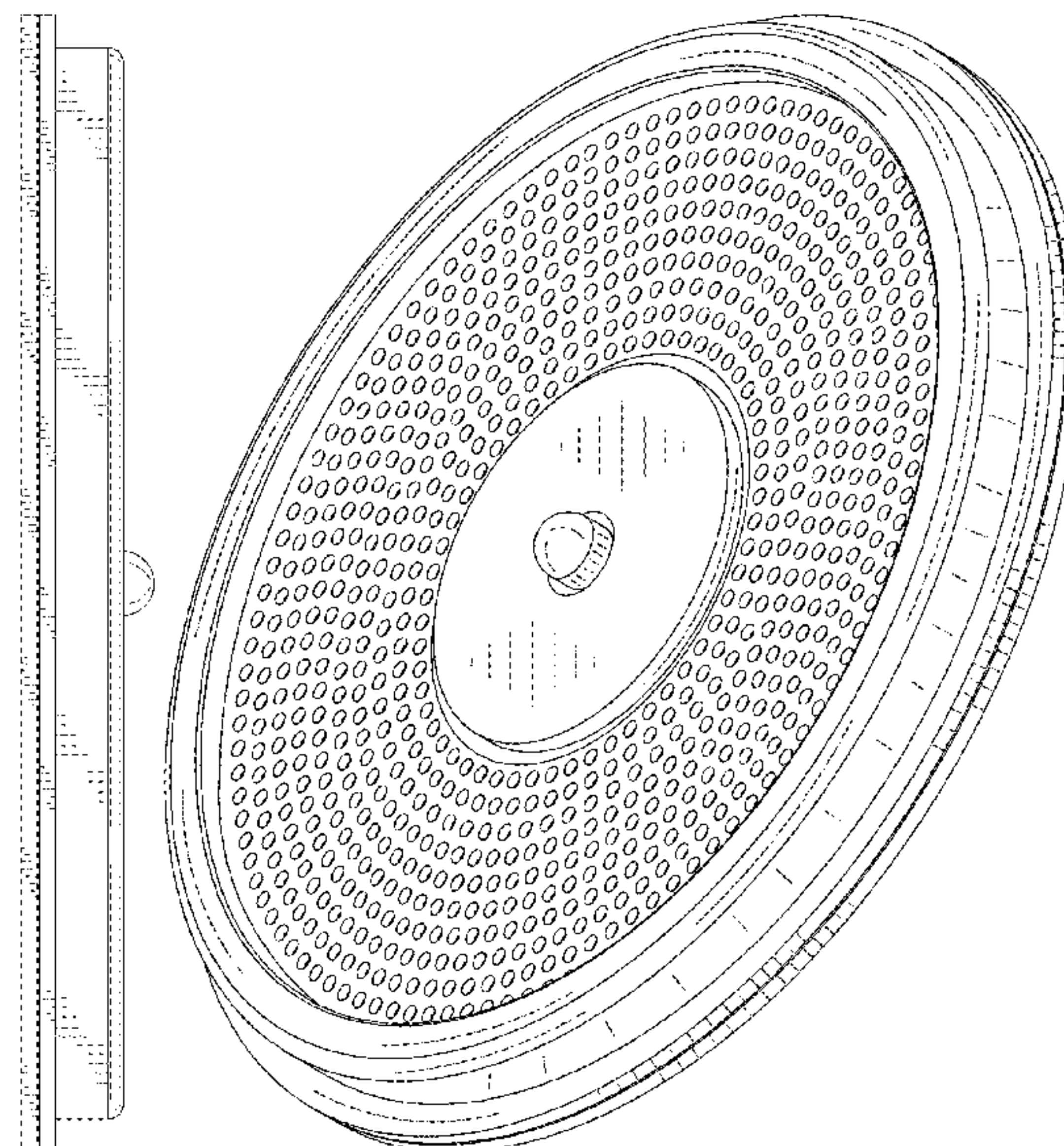
(57) **CLAIM**

The ornamental design for a speaker decoration net, as shown and described.

DESCRIPTION

FIG. 1 is a front elevational view of a speaker decoration net showing my new design;
FIG. 2 is a rear elevational view thereof;
FIG. 3 is a left side view thereof;
FIG. 4 is a right side view thereof;
FIG. 5 is a top plan view thereof;
FIG. 6 is a bottom plan view thereof;
FIG. 7 is a front perspective view thereof;
FIG. 8 is another front perspective view thereof;
FIG. 9 is a rear perspective view thereof; and,
FIG. 10 is another rear perspective view thereof.

1 Claim, 10 Drawing Sheets



(56)

References Cited

U.S. PATENT DOCUMENTS

D542,273	S	*	5/2007	Park	D14/215
D550,204	S	*	9/2007	Kaneda	D14/216
D550,205	S	*	9/2007	Kaneda	D14/216
D556,738	S	*	12/2007	Yao	D14/216
D563,946	S	*	3/2008	Uehara	D14/216
D563,947	S	*	3/2008	Uehara	D14/216
D583,803	S	*	12/2008	Lum	D14/219
D586,780	S	*	2/2009	Skurdal	D14/211
D591,269	S	*	4/2009	Kim	D14/216
D601,744	S	*	10/2009	Sakuma	D26/89
D617,441	S	*	6/2010	Koury	D23/385
D633,645	S	*	3/2011	Verelst	D26/89
D636,760	S	*	4/2011	Cheng	D14/216
D663,880	S	*	7/2012	Janssen	D26/74
D682,805	S	*	5/2013	Rath	D14/149
D701,831	S	*	4/2014	Park	D13/108
D728,525	S	*	5/2015	Zhang	D14/216
D730,872	S	*	6/2015	Wan	D14/216
D743,941	S	*	11/2015	Patsis	D14/216
D752,014	S	*	3/2016	Bolmstrand	D14/204
D765,055	S	*	8/2016	Hsieh	D14/205
D770,415	S	*	11/2016	Pellisari	D14/216
D790,522	S	*	6/2017	Chung	D14/248
D799,686	S	*	10/2017	Liu	D23/412
D816,434	S	*	5/2018	Burns	D7/667
D832,238	S	*	10/2018	Van Osten	D14/219
D843,973	S	*	3/2019	Klosowski	D14/216
D861,633	S	*	10/2019	Norell	D14/205

* cited by examiner

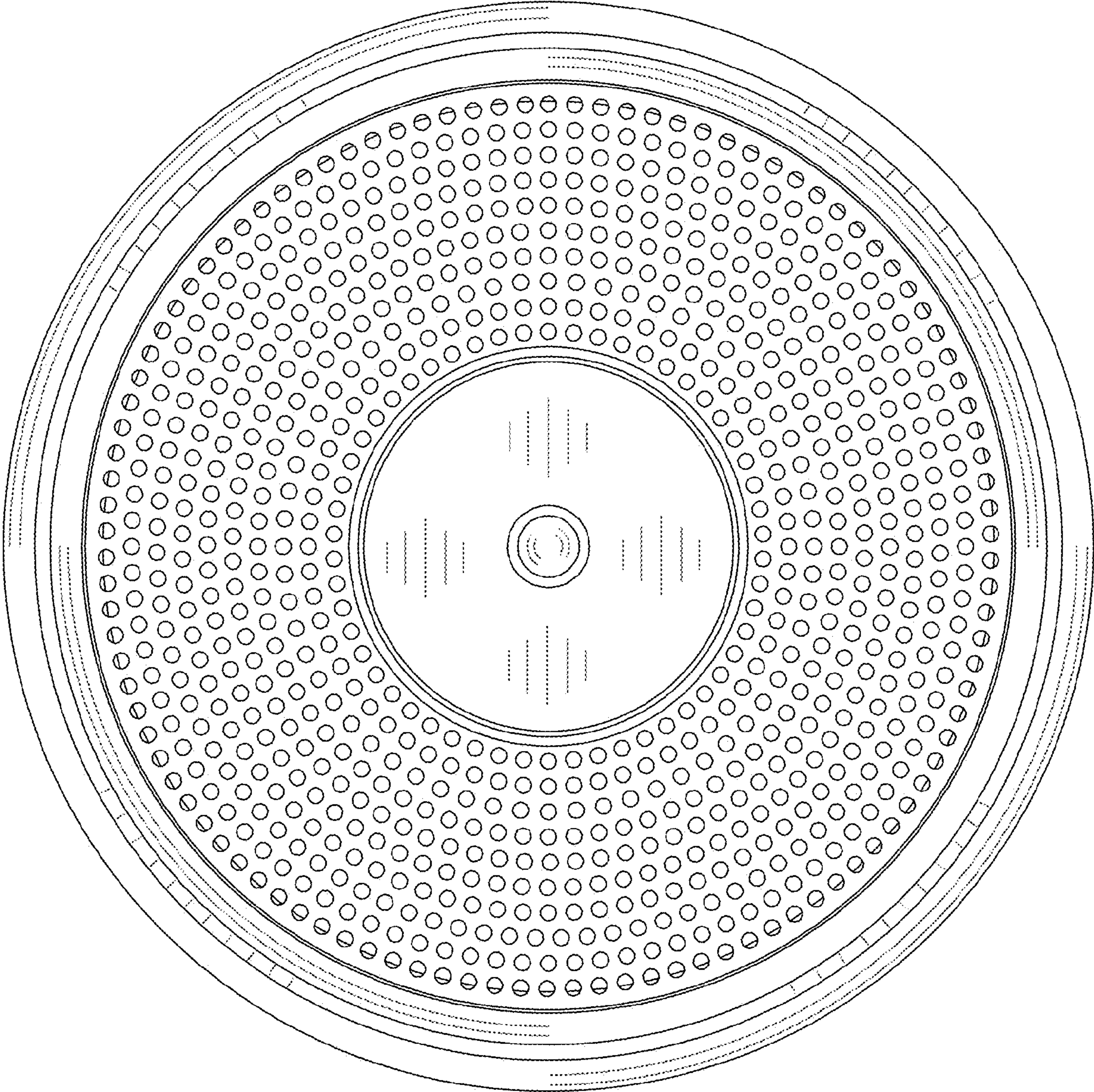


Fig.1

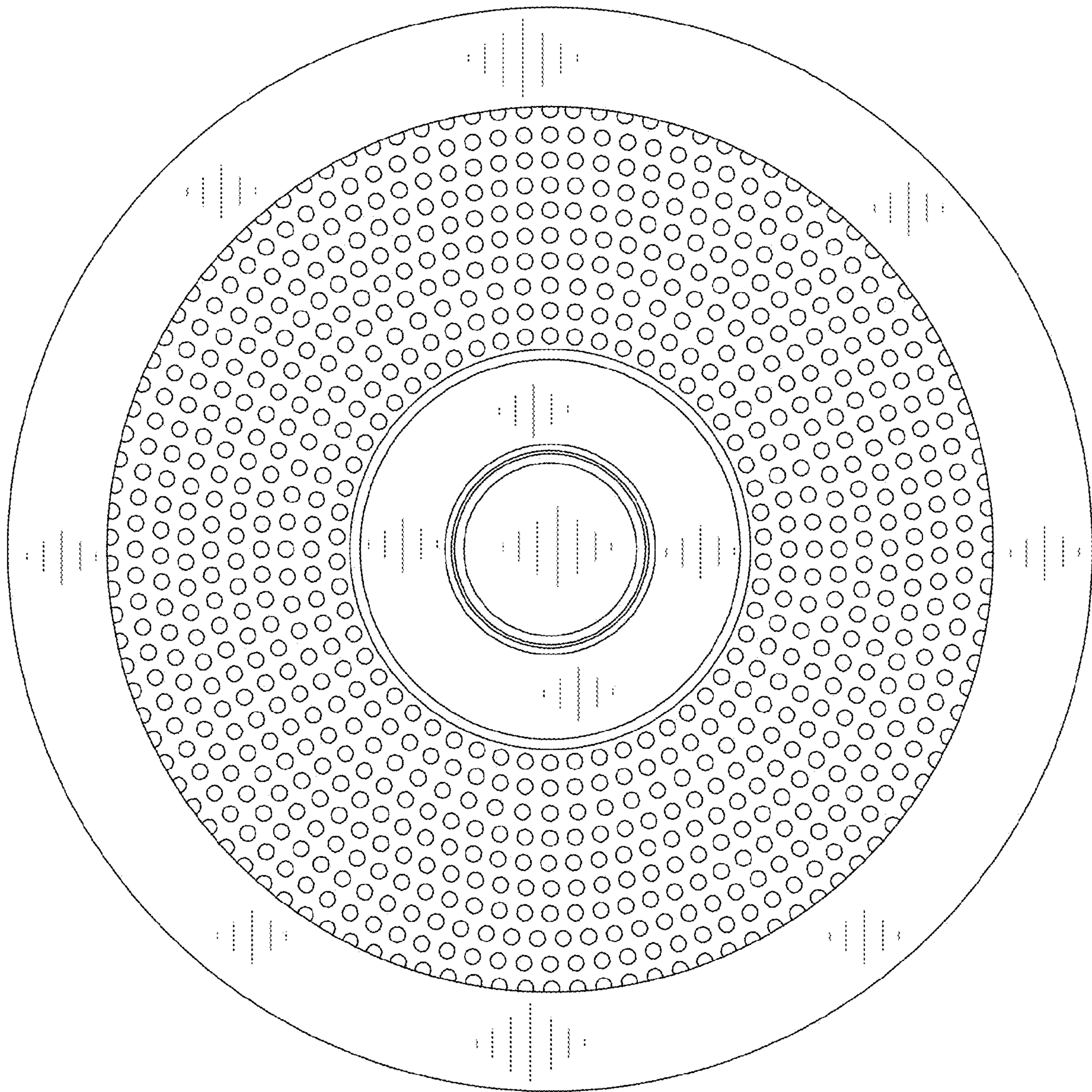


Fig.2

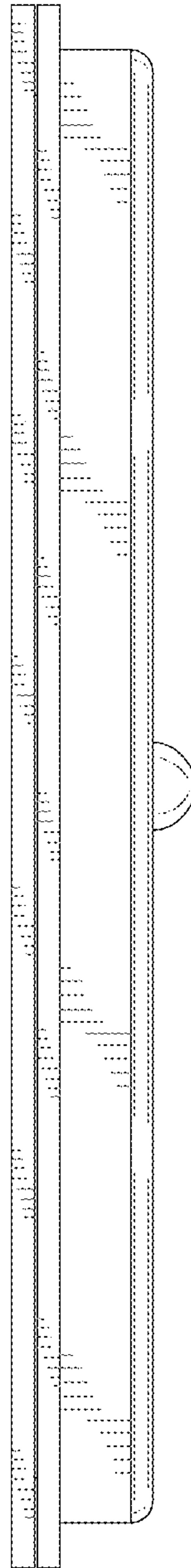


Fig.3

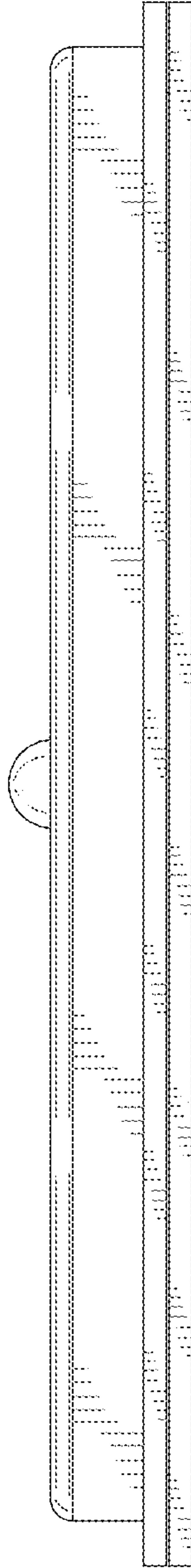


Fig.4

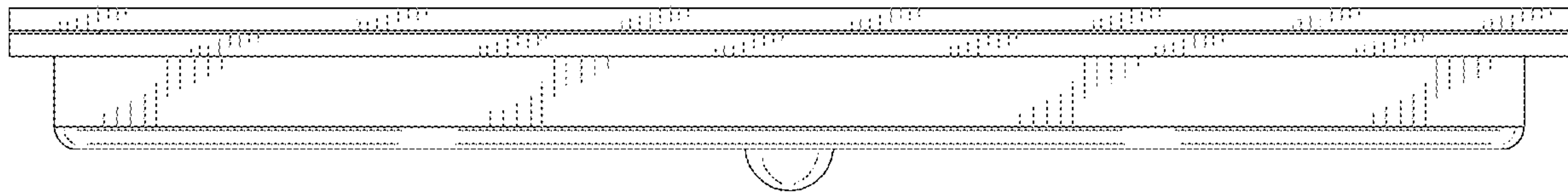


Fig.5

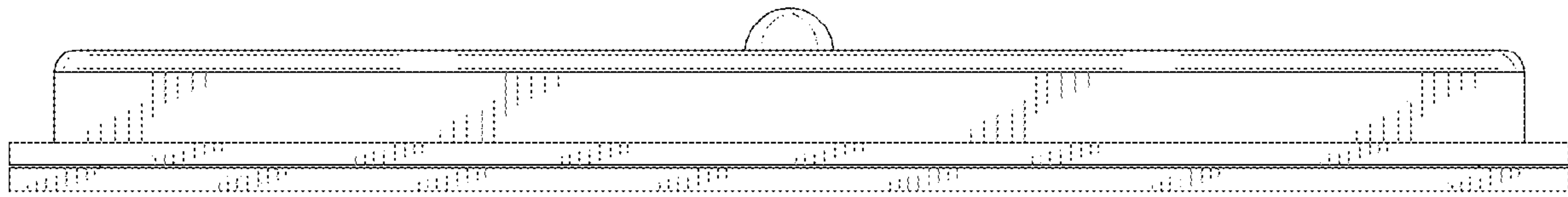


Fig.6

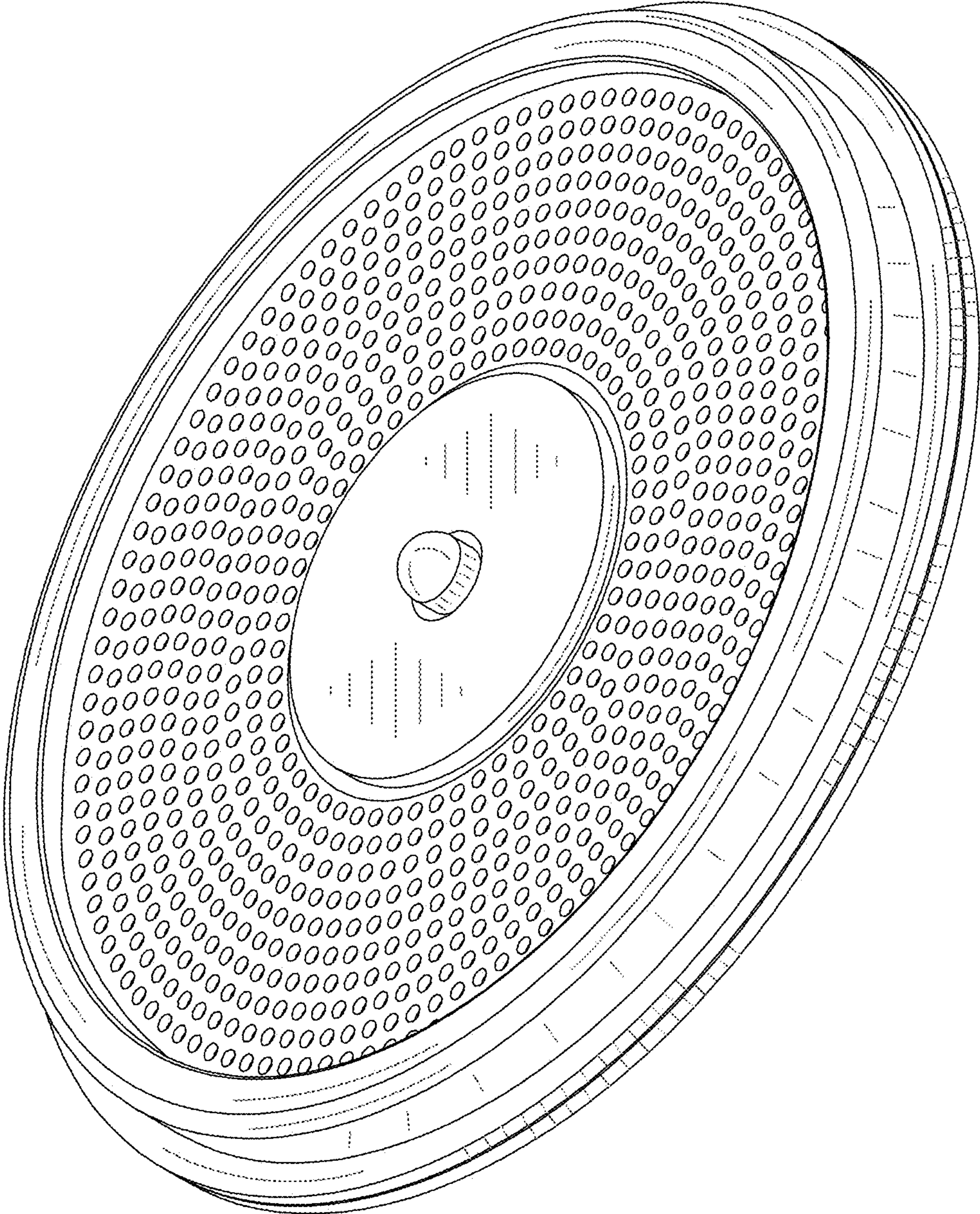


Fig.7

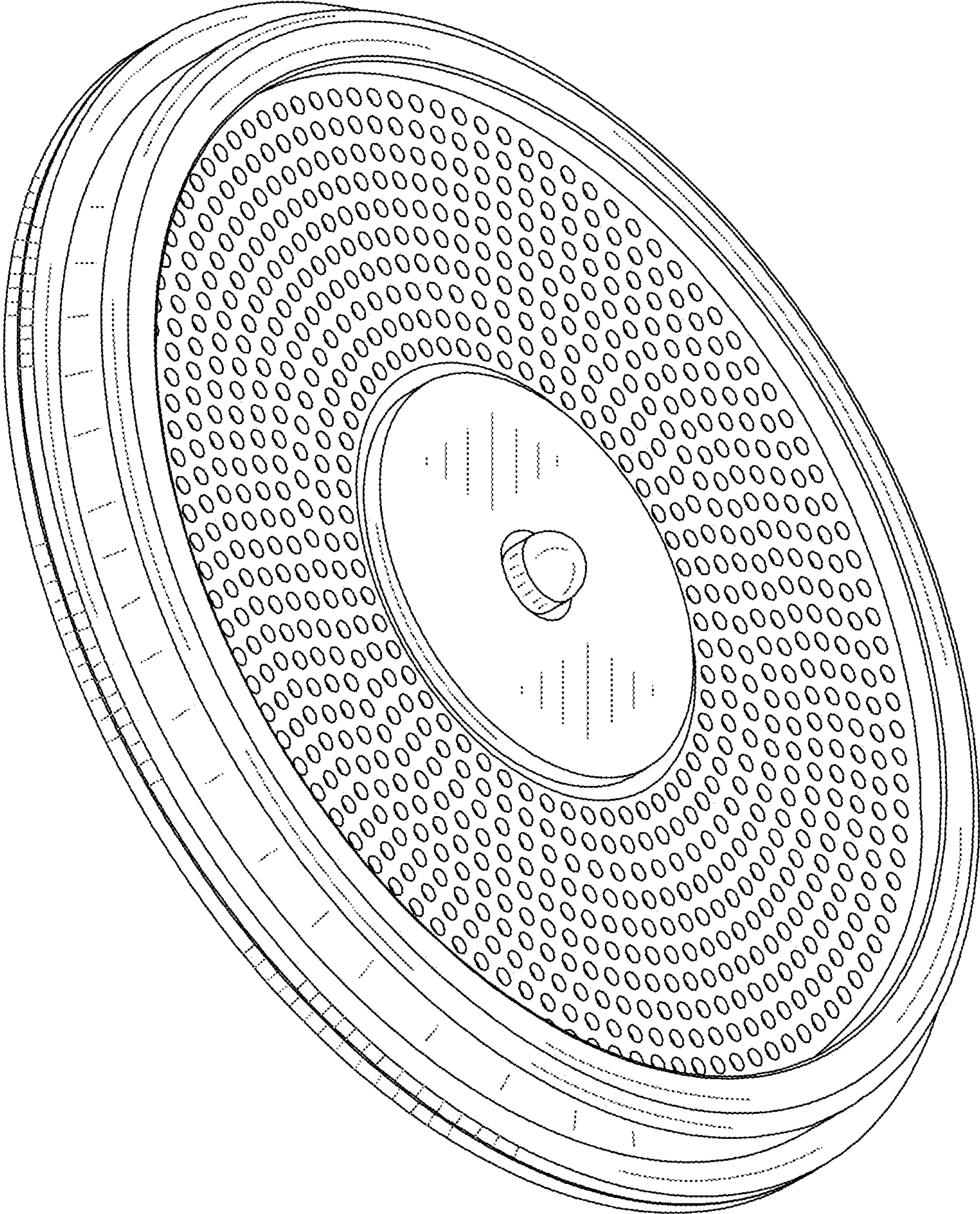


Fig.8

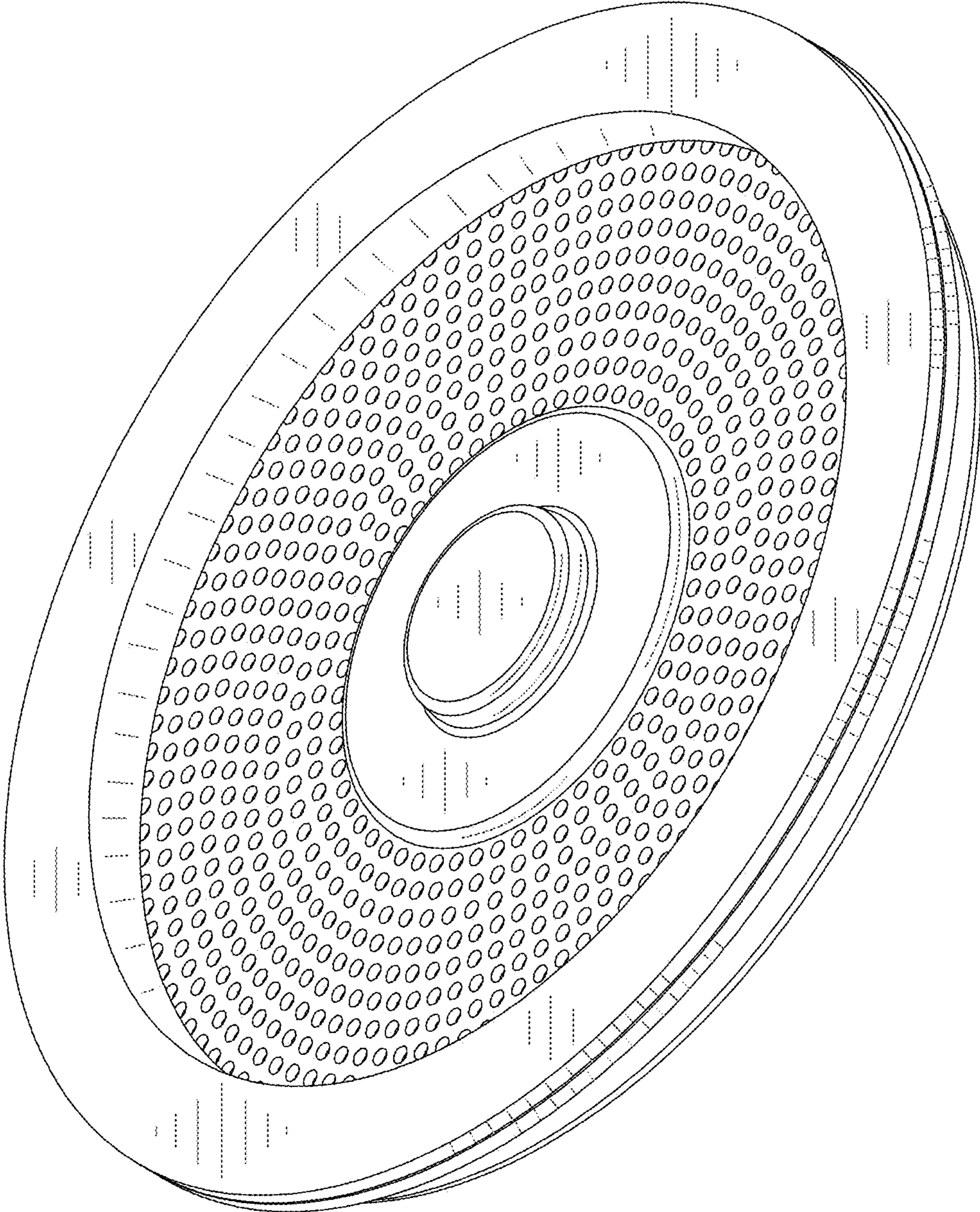


Fig.9

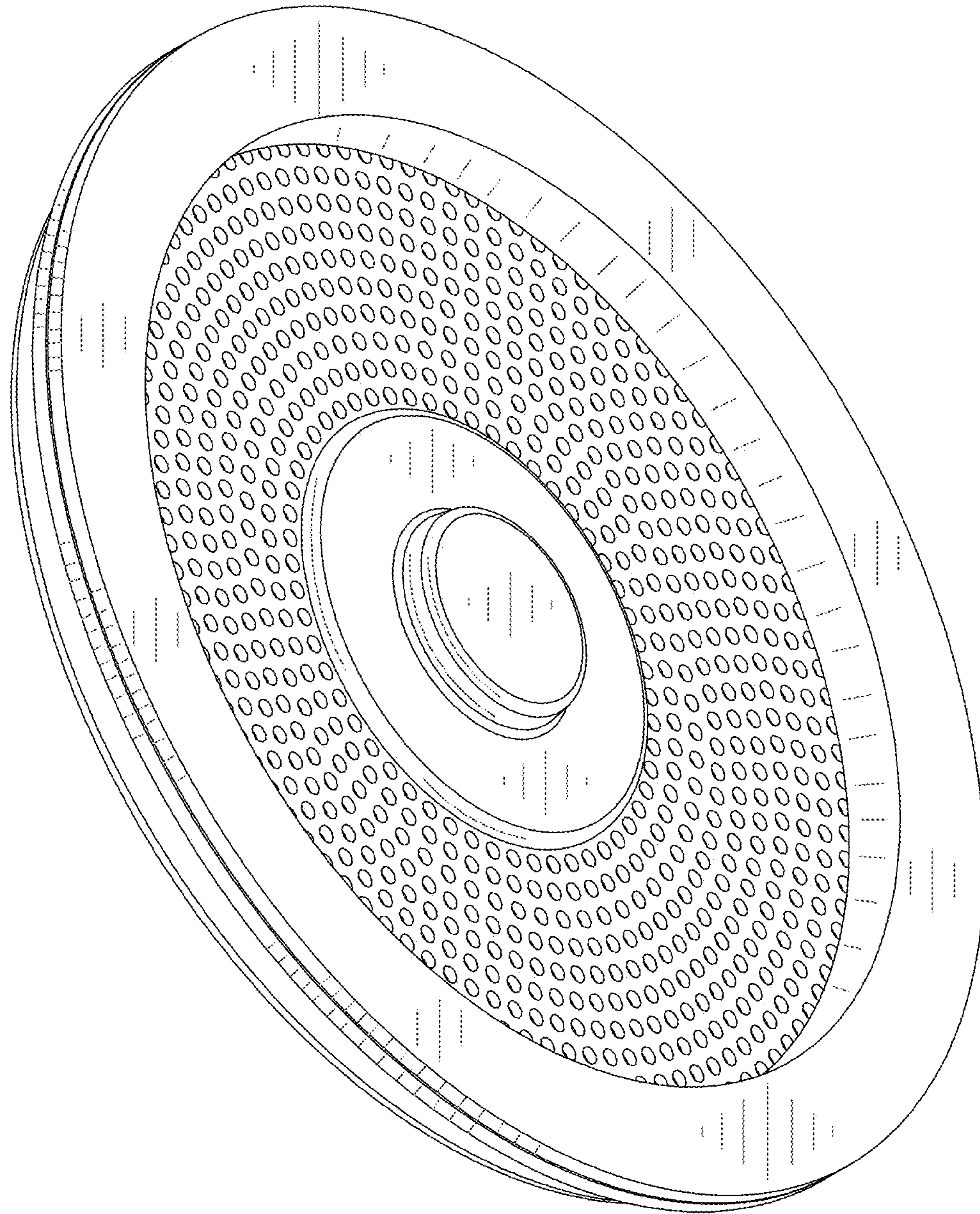


Fig.10