



US00D883255S

(12) **United States Design Patent**
Shi

(10) **Patent No.:** **US D883,255 S**

(45) **Date of Patent:** **** May 5, 2020**

(54) **SPEAKER**

(71) Applicant: **SHENZHEN INNOYSTEM TECHNOLOGY LTD.**, Shenzhen (CN)

(72) Inventor: **Liyong Shi**, Shenzhen (CN)

(73) Assignee: **SHENZHEN INNOYSTEM TECHNOLOGY, LTD.**, Shenzhen (CN)

(**) Term: **15 Years**

(21) Appl. No.: **29/669,115**

(22) Filed: **Nov. 6, 2018**

(51) **LOC (12) Cl.** **14-01**

(52) **U.S. Cl.**
USPC **D14/216**

(58) **Field of Classification Search**
USPC D14/167, 168, 170–172, 188, 194–196, D14/204, 209.1, 210–216, 219, 221, 222, D14/224, 239, 496; D12/114
CPC B60R 11/0217; G06F 1/1688; G10K 9/22; G10K 11/004; H03F 1/327; H04M 1/03; H04M 1/035; H04N 5/642; H04N 21/4852; H04R 1/02; H04R 1/06; H04R 1/021; H04R 1/025; H04R 1/026; H04R 1/028; H04R 1/105; H04R 1/323; H04R 1/403; H04R 1/2803; H04R 1/2834; H04R 5/02; H04R 7/20; H04R 9/06; H04R 9/025; H04R 2201/021; H04R 2400/00; H04R 2201/07; H04R 2499/11; H04R 2499/13; H04R 2499/15; H04S 3/00; H04S 7/30

See application file for complete search history.

(56) **References Cited**

U.S. PATENT DOCUMENTS

D436,898 S * 1/2001 Okada D12/114
D552,516 S * 10/2007 Files D12/114

D563,286 S * 3/2008 Files D12/114
D575,273 S * 8/2008 Cherry, II D14/216
D584,717 S * 1/2009 Files D12/114
D601,931 S * 10/2009 Files D12/114
D621,399 S * 8/2010 Ahlstrom D14/344
D644,207 S * 8/2011 Odell D14/216
D788,075 S * 5/2017 Bailey D14/204
D814,442 S * 4/2018 Ye D14/216
D823,836 S * 7/2018 Eaton D14/229
D836,595 S * 12/2018 DeLuna D14/204
D857,658 S * 8/2019 Su D14/216
D866,406 S * 11/2019 Kawakami D12/114

* cited by examiner

Primary Examiner — Keli L Hill

(74) *Attorney, Agent, or Firm* — Law Offices of Steven W. Weinrieb

(57) **CLAIM**

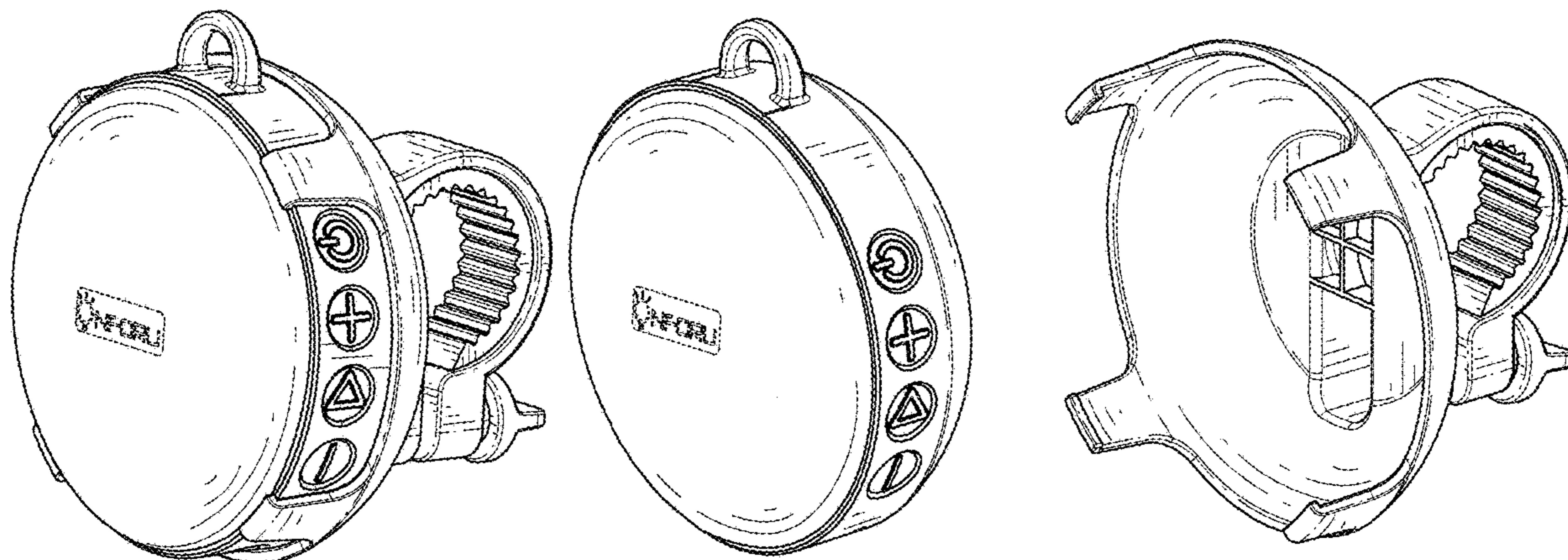
The ornamental design for a speaker, as shown and described.

DESCRIPTION

FIG. 1 is a front, right side, top perspective view of the SPEAKER showing my new design;
FIG. 2 is a rear, left side, bottom perspective view thereof;
FIG. 3 is a front elevational view thereof
FIG. 4 is a rear elevational view thereof;
FIG. 5 is a left side elevational view thereof;
FIG. 6 is a right side elevational view thereof;
FIG. 7 is a top plan view thereof;
FIG. 8 is a bottom plan view thereof;
FIG. 9 is a used state view thereof; and,
FIG. 10 is an exploded view thereof.

The broken lines immediately adjacent to the claimed portions are boundaries, all other broken lines are environmental structures; all the broken lines form no part of the claimed design.

1 Claim, 10 Drawing Sheets



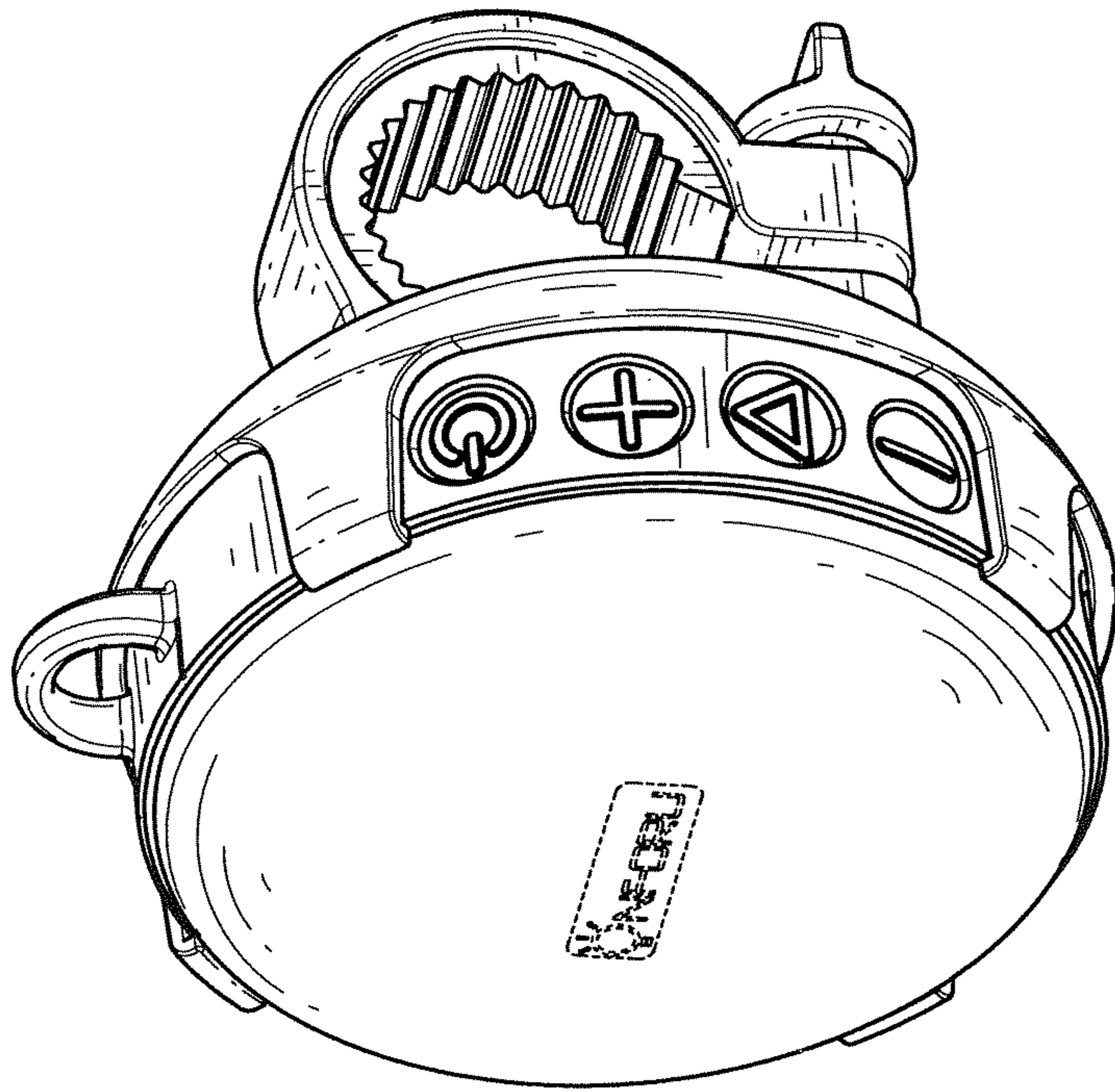


FIG. 1

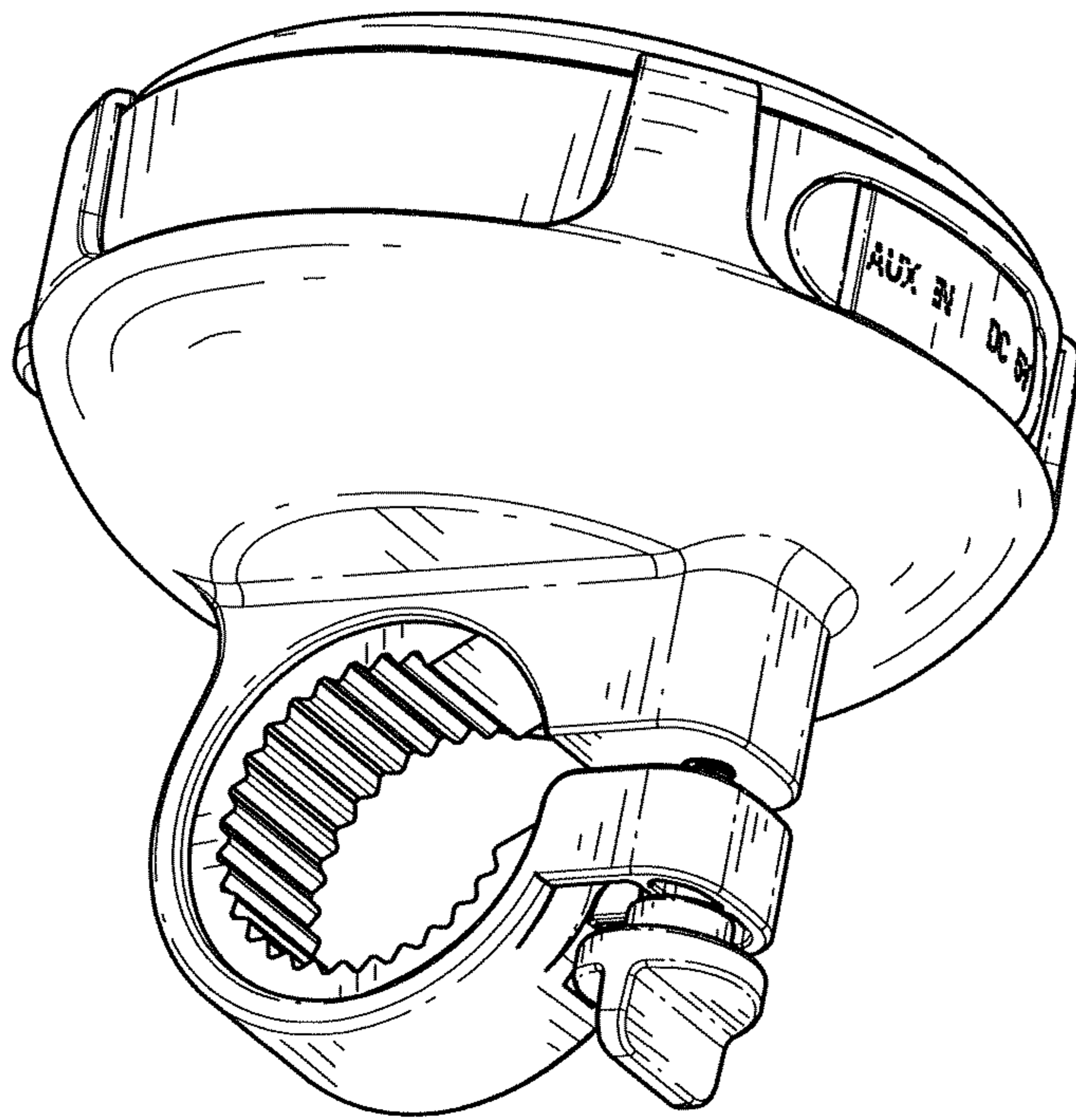


FIG. 2

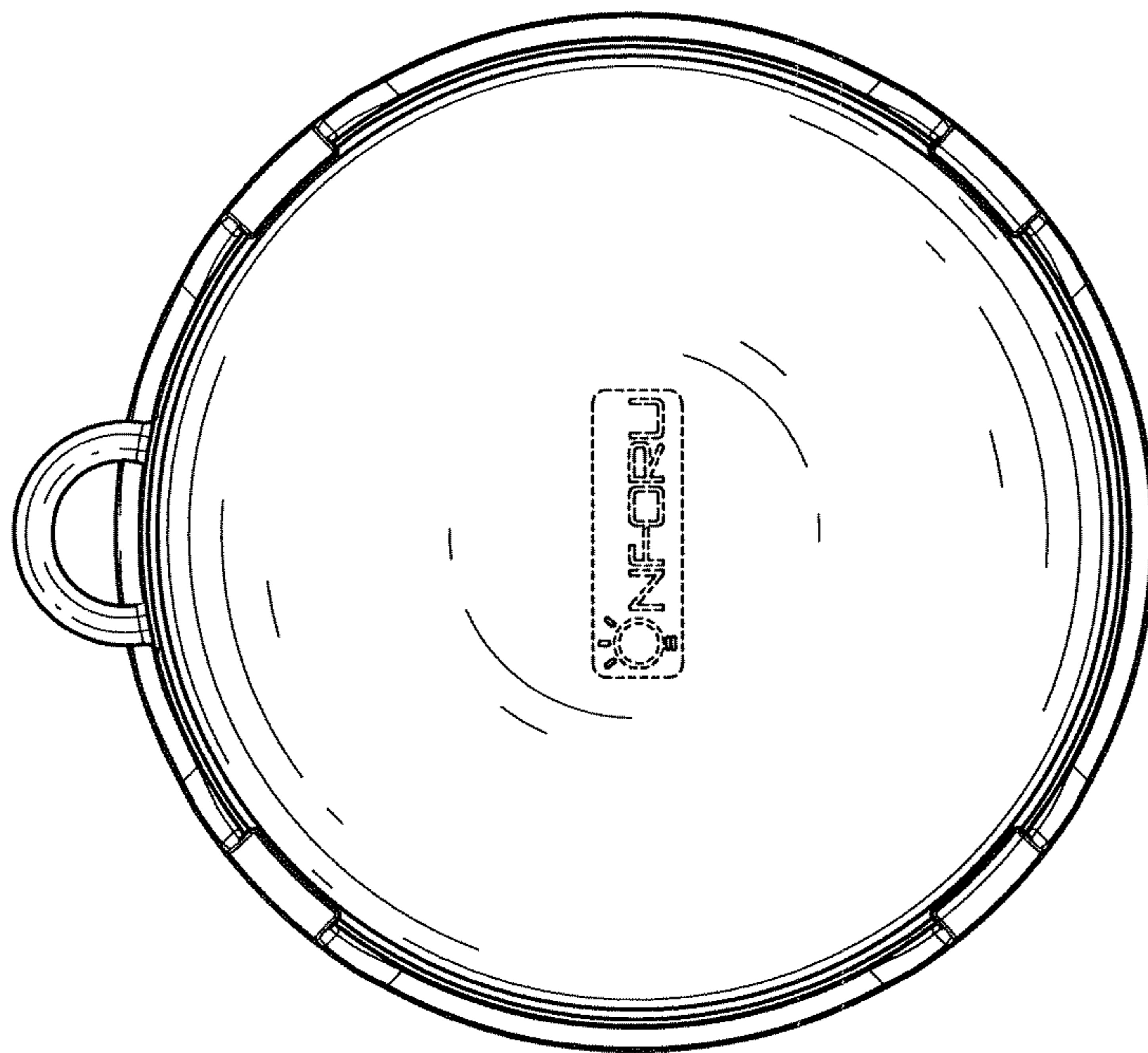


FIG. 3

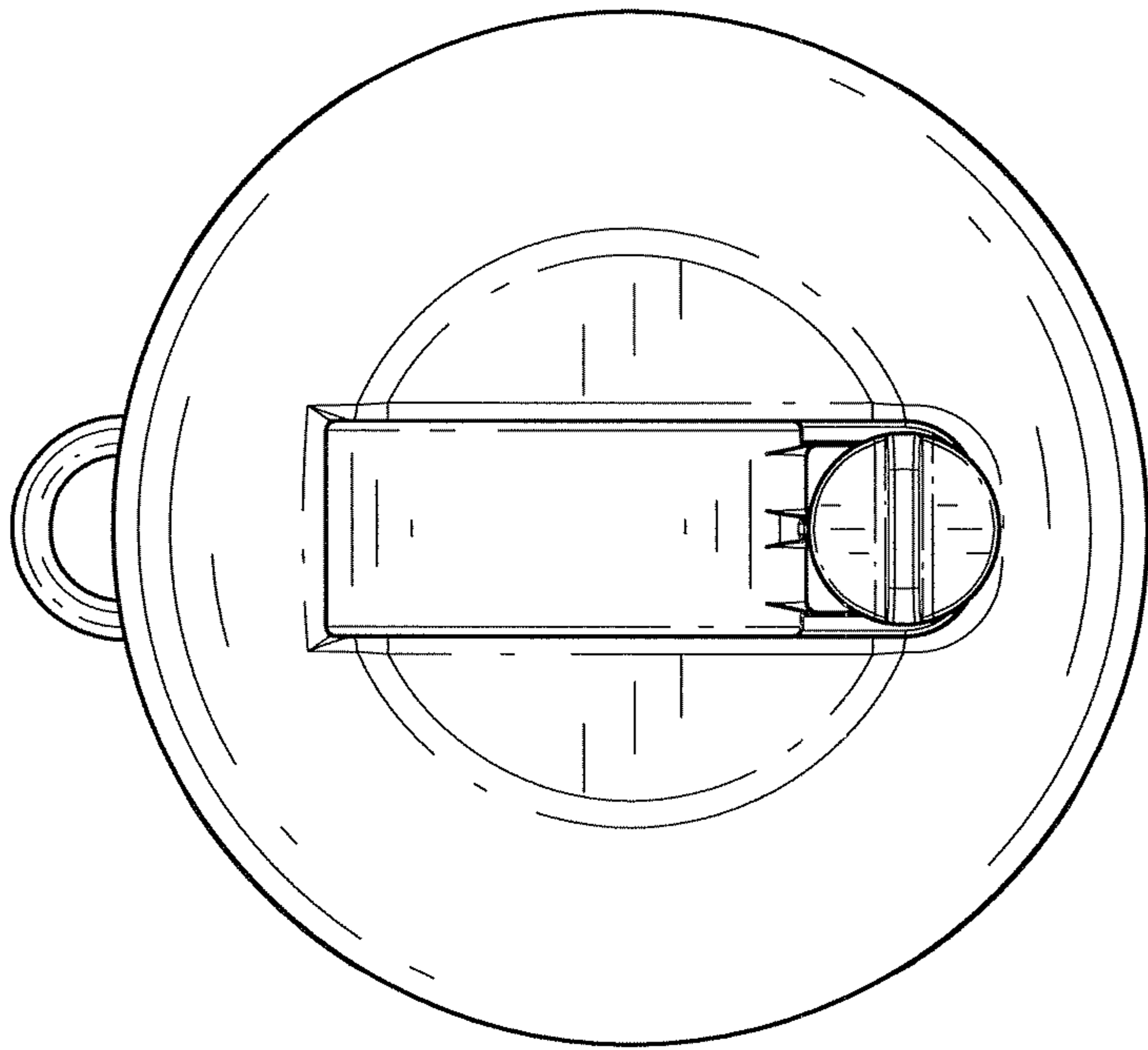


FIG. 4

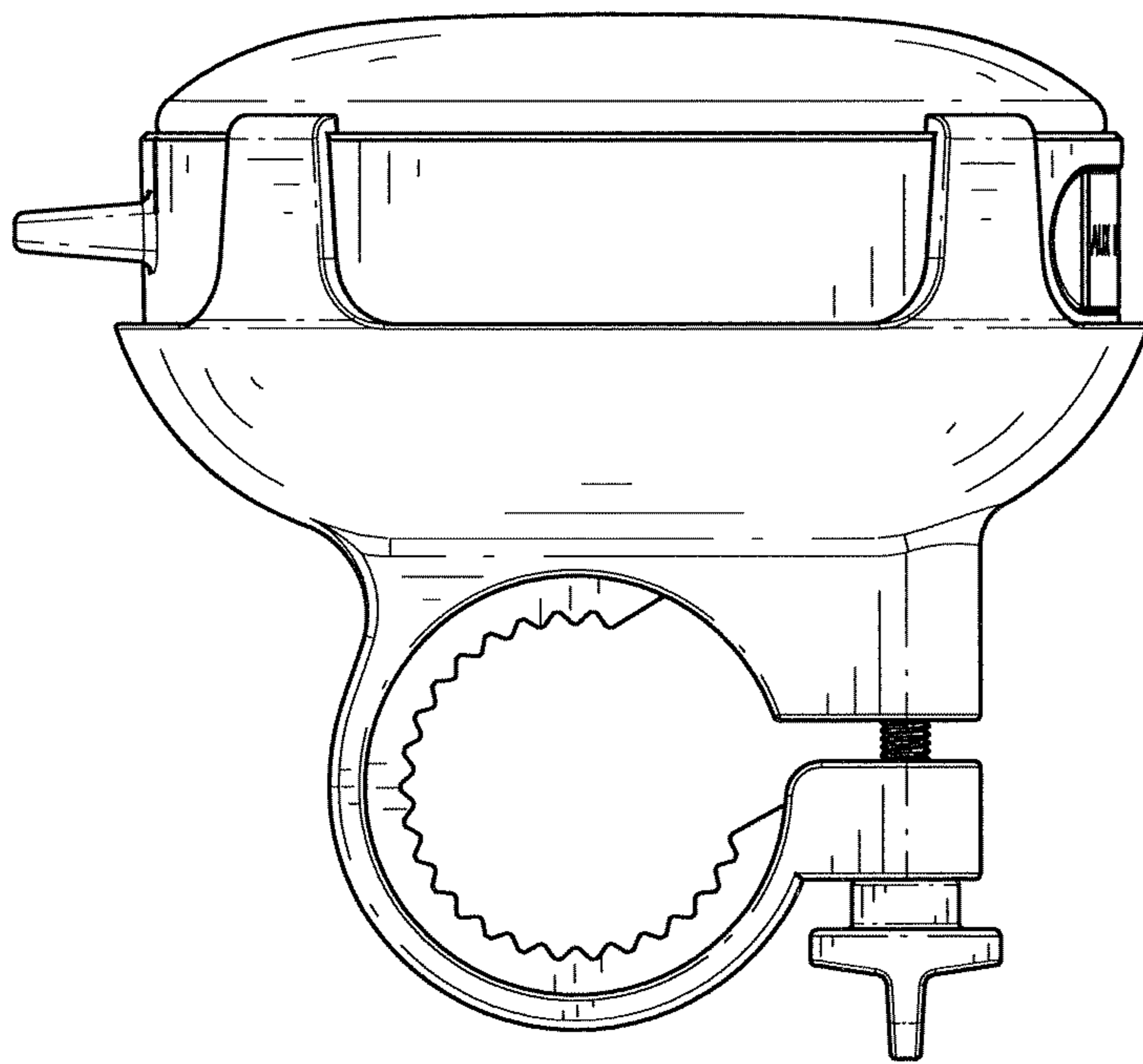


FIG. 5

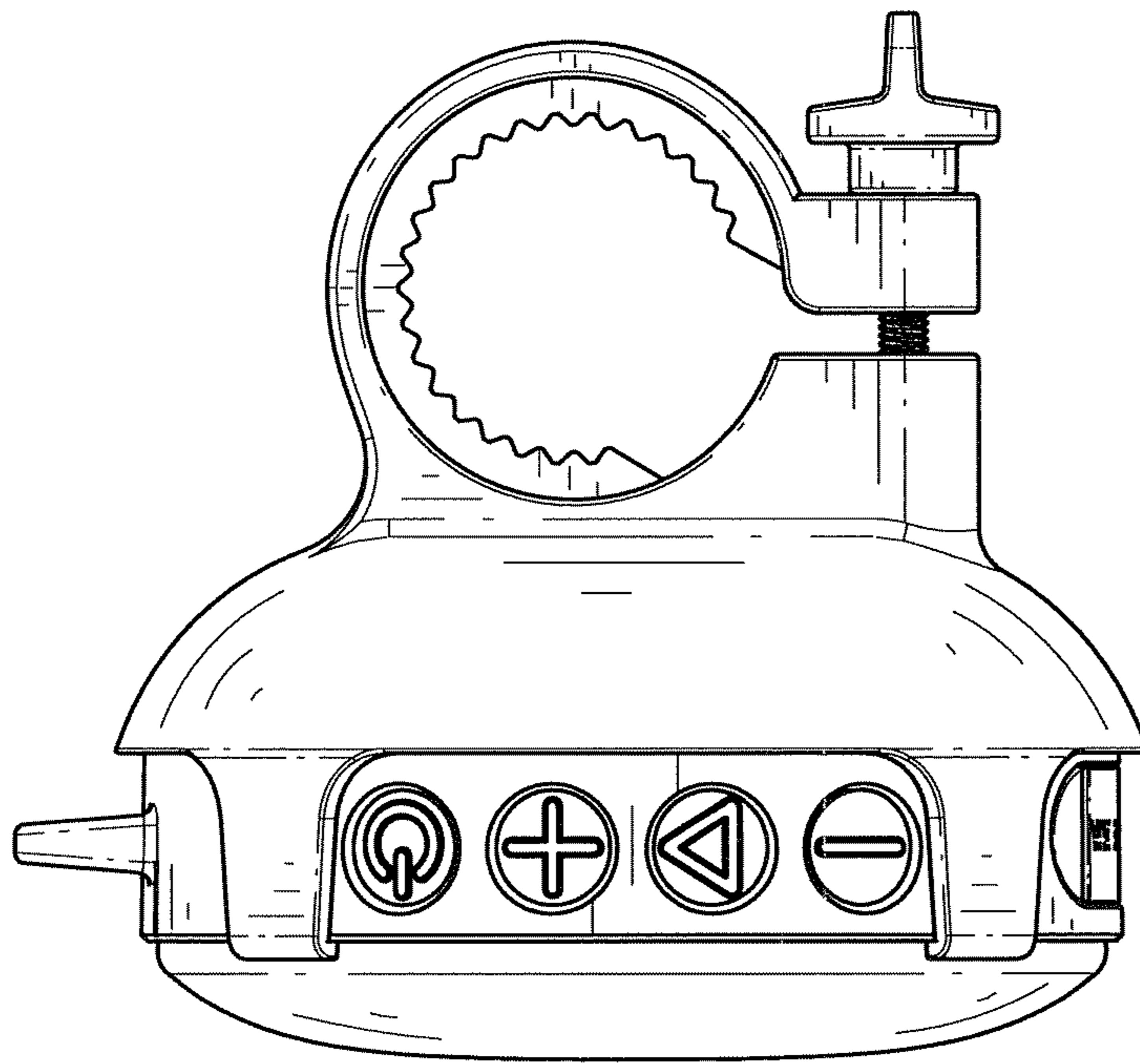


FIG. 6

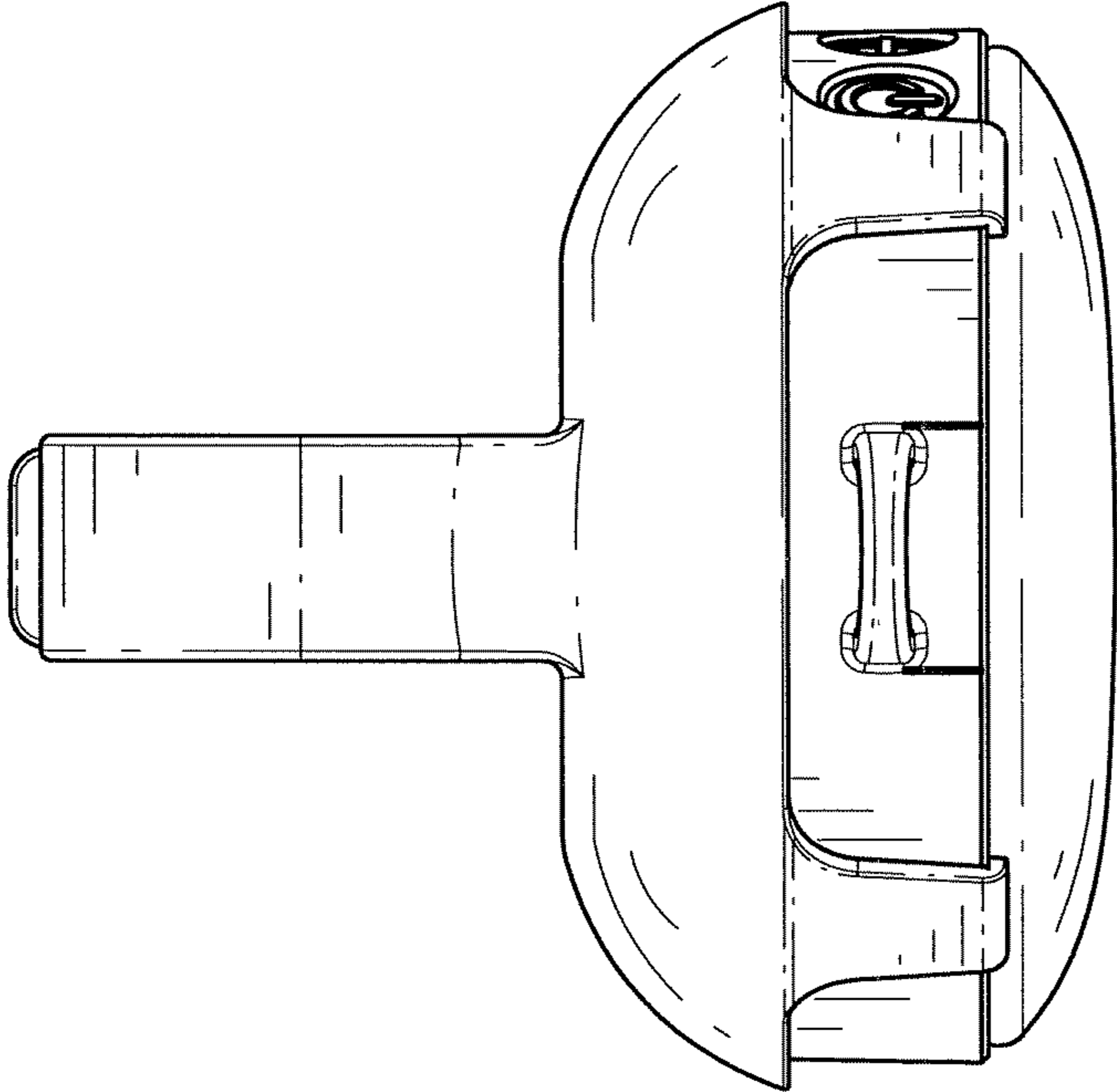


FIG. 7

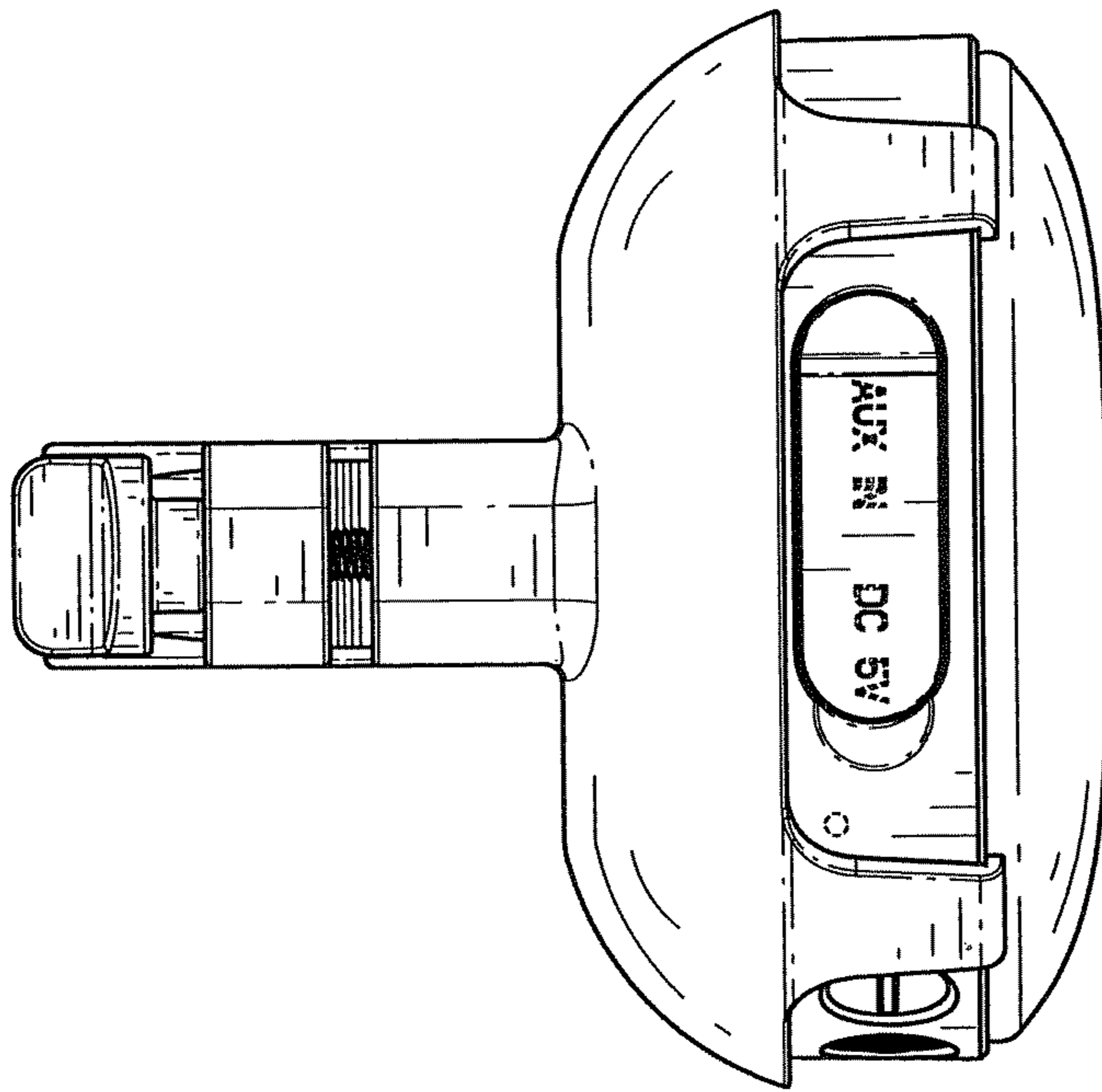


FIG. 8

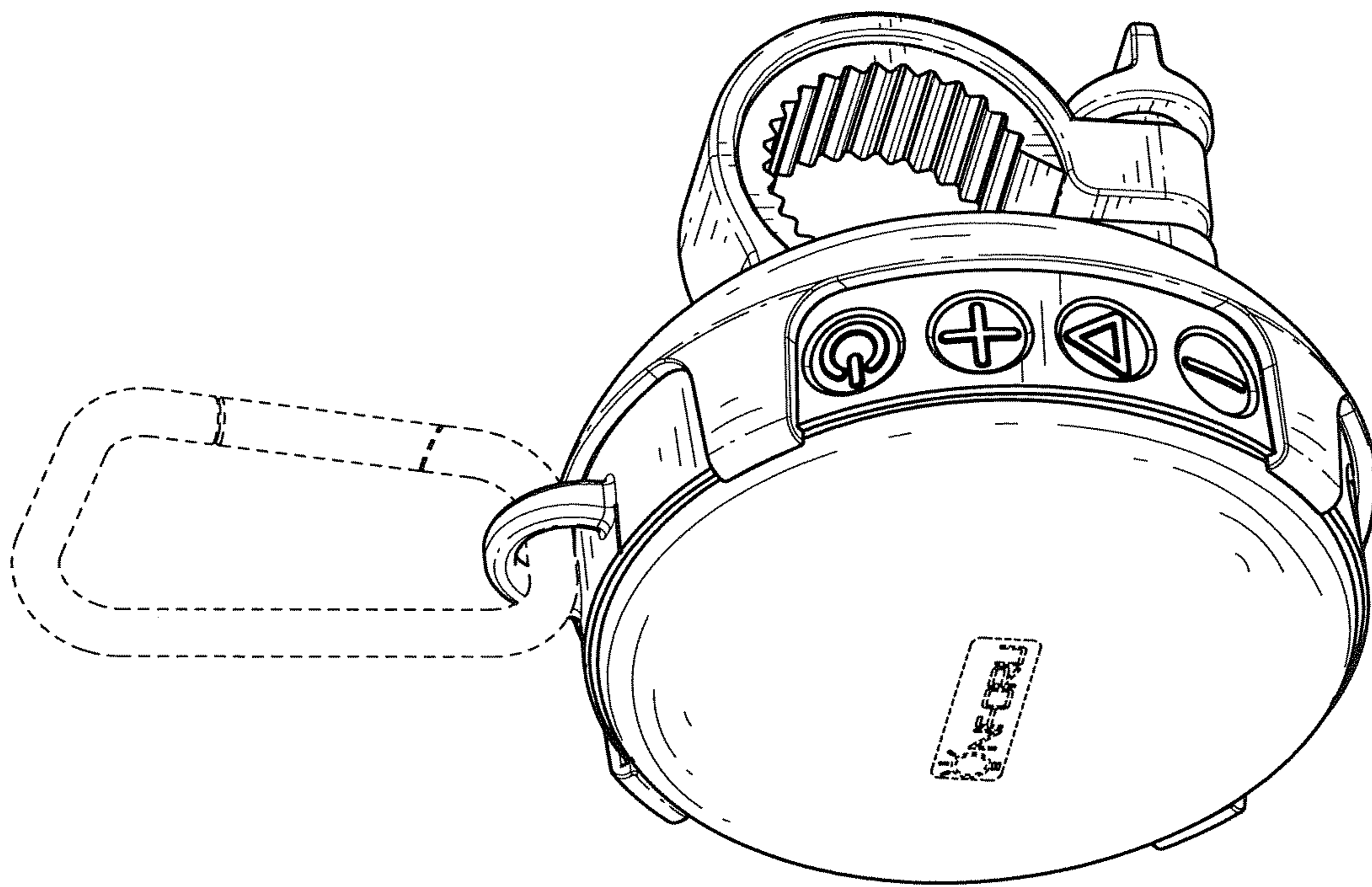


FIG. 9

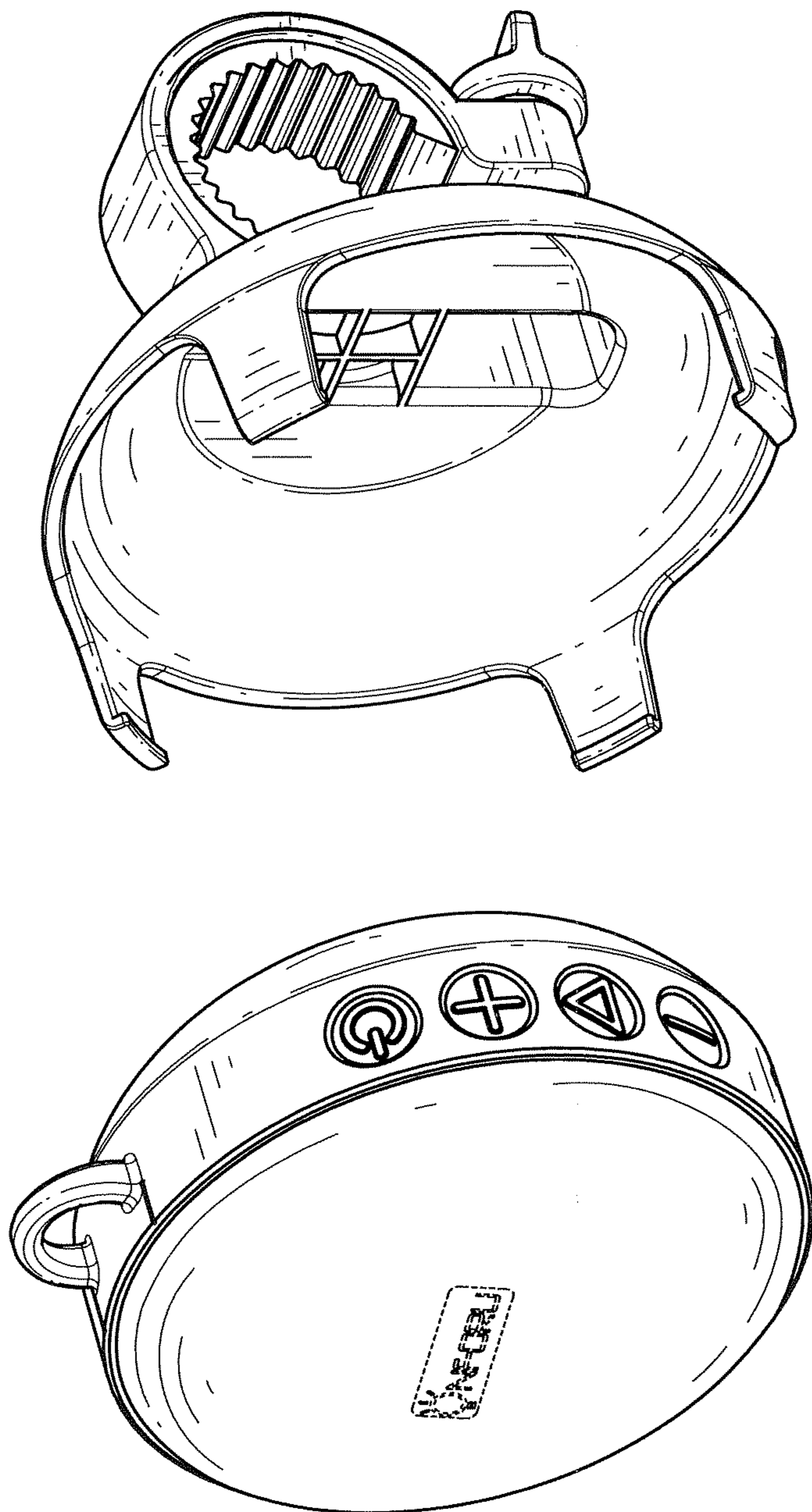


FIG. 10