



US00D883254S

(12) **United States Design Patent**
Peng et al.

(10) **Patent No.:** **US D883,254 S**

(45) **Date of Patent:** **** May 5, 2020**

(54) **REAR SURROUND SPEAKER**

(71) Applicant: **SHENZHEN SKYWORTH-RGB ELECTRONIC CO., LTD**, Shenzhen, Guangdong (CN)

(72) Inventors: **Liyuan Peng**, Guangdong (CN); **Zhiyong Chen**, Guangdong (CN); **Yonghong Diao**, Guangdong (CN); **Shuxiao Wei**, Guangdong (CN); **Yunbing Zhong**, Guangdong (CN); **Ze Wang**, Guangdong (CN); **Mingming Wang**, Guangdong (CN); **Jie He**, Guangdong (CN)

(73) Assignee: **SHENZHEN SKYWORTH-RGB ELECTRONIC CO., LTD**, Shenzhen (CN)

(**) Term: **15 Years**

(21) Appl. No.: **29/674,499**

(22) Filed: **Dec. 21, 2018**

(30) **Foreign Application Priority Data**

Aug. 30, 2018 (CN) 2018 3 0487200

(51) **LOC (12) Cl.** **14-01**

(52) **U.S. Cl.**
USPC **D14/211**; D14/216

(58) **Field of Classification Search**
USPC D14/167, 168, 170-172, 188, 194-196, D14/204, 209.1, 210-216, 219, 221, 222, D14/224, 239, 496
CPC B60R 11/0217; G06F 1/1688; G10K 9/22; G10K 11/004; H03F 1/327; H04M 1/03; H04M 1/035; H04N 5/642; H04N 21/4852; H04R 1/02; H04R 1/06; H04R 1/021; H04R 1/025; H04R 1/026; H04R 1/028; H04R 1/105; H04R 1/323; H04R 1/403; H04R 1/2803; H04R 1/2834; H04R 5/02; H04R 7/20; H04R 9/06;

H04R 9/025; H04R 2201/021; H04R 2400/00; H04R 2400/07; H04R 2499/11; H04R 2499/13; H04R 2499/15; H04S 3/00; H04S 7/30

See application file for complete search history.

(56) **References Cited**

U.S. PATENT DOCUMENTS

D729,777 S *	5/2015	Ono	D14/224
D735,163 S *	7/2015	Valeur	D14/216
D783,000 S *	4/2017	Koo	D14/209.1
D798,839 S *	10/2017	Yeon	D14/216
D804,444 S *	12/2017	Ahn	D14/204
D819,596 S *	6/2018	Sun	D14/211
D835,600 S *	12/2018	Weiss	D14/204
D853,354 S *	7/2019	Demin	D14/211
D870,700 S *	12/2019	Lee	D14/211

* cited by examiner

Primary Examiner — Keli L Hill

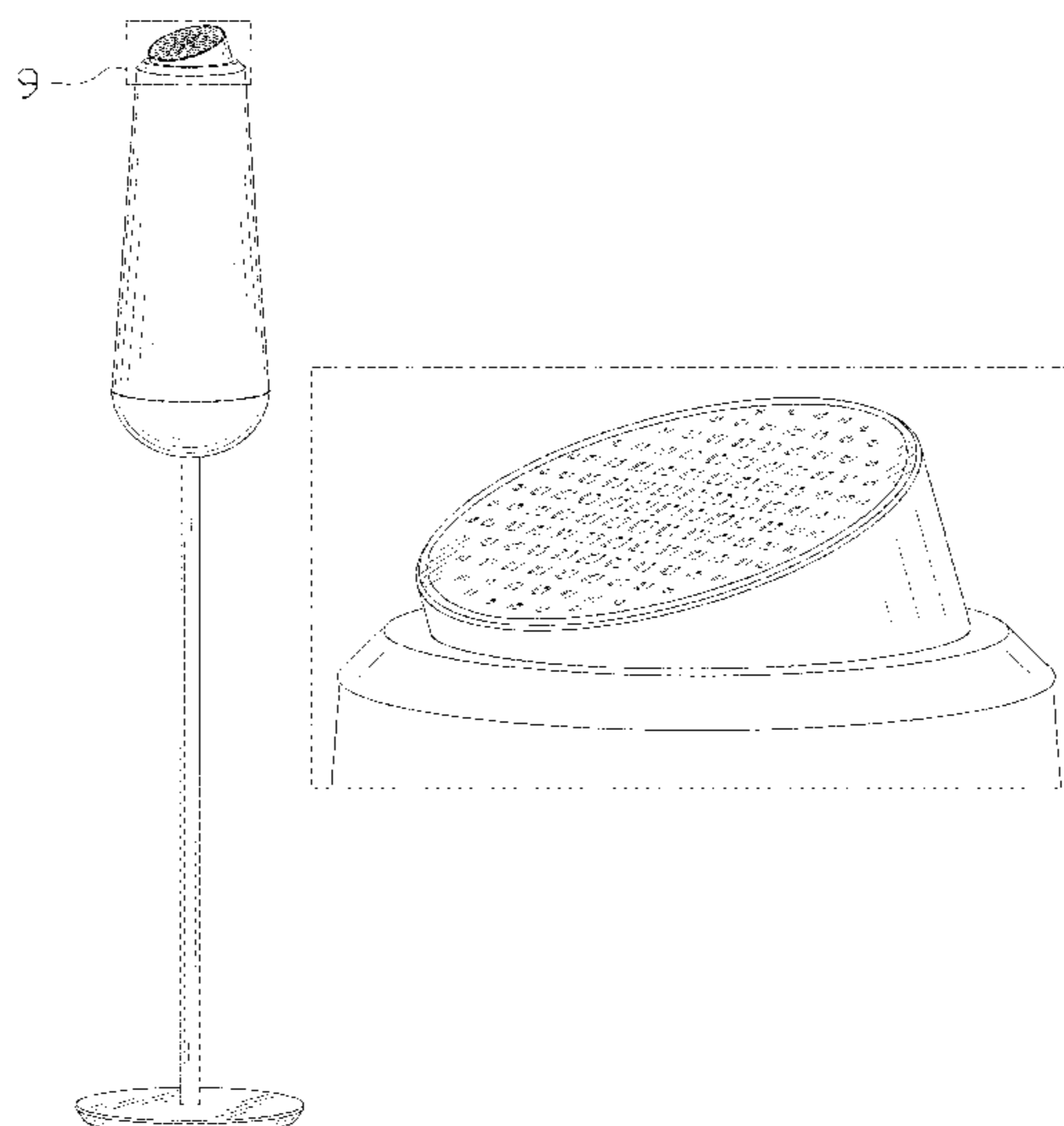
(57) **CLAIM**

The ornamental design for a rear surround speaker, as shown and described.

DESCRIPTION

FIG. 1 is a front elevational view of a rear surround speaker showing our new design; FIG. 2 is a rear elevational view thereof; FIG. 3 is a left side elevational view thereof; FIG. 4 is a right side elevational view thereof; FIG. 5 is a top plan view thereof; FIG. 6 is a bottom plan view thereof; FIG. 7 is a front and right side perspective view thereof; FIG. 8 is a rear and left side perspective view thereof; and, FIG. 9 is an enlarged view of portion 9 in FIG. 7. The broken lines in the drawings illustrate portions of the rear surround speaker which form no part of the claimed design.

1 Claim, 9 Drawing Sheets



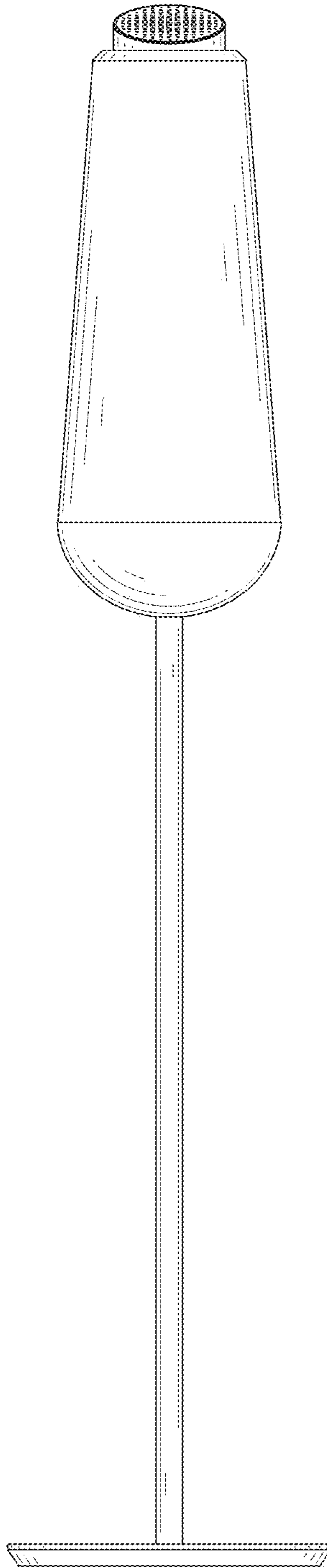


FIG. 1

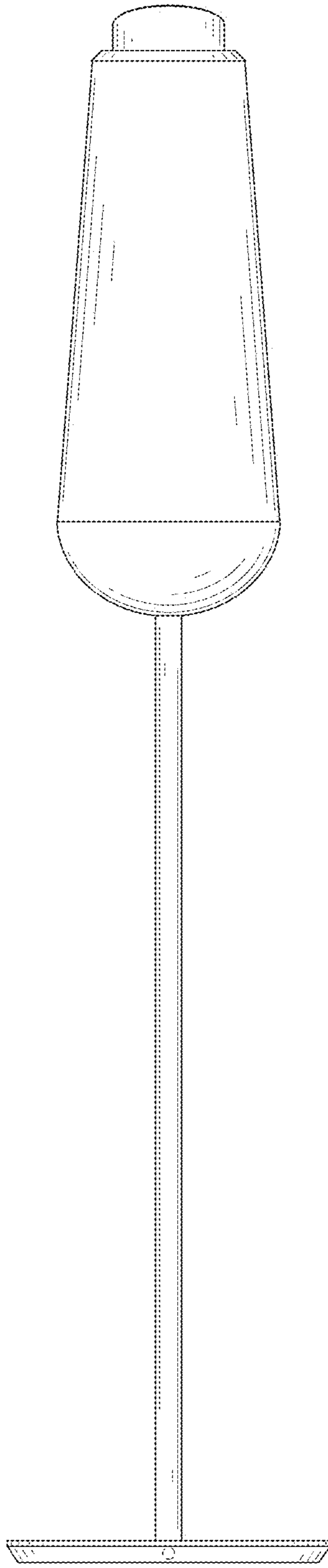


FIG. 2

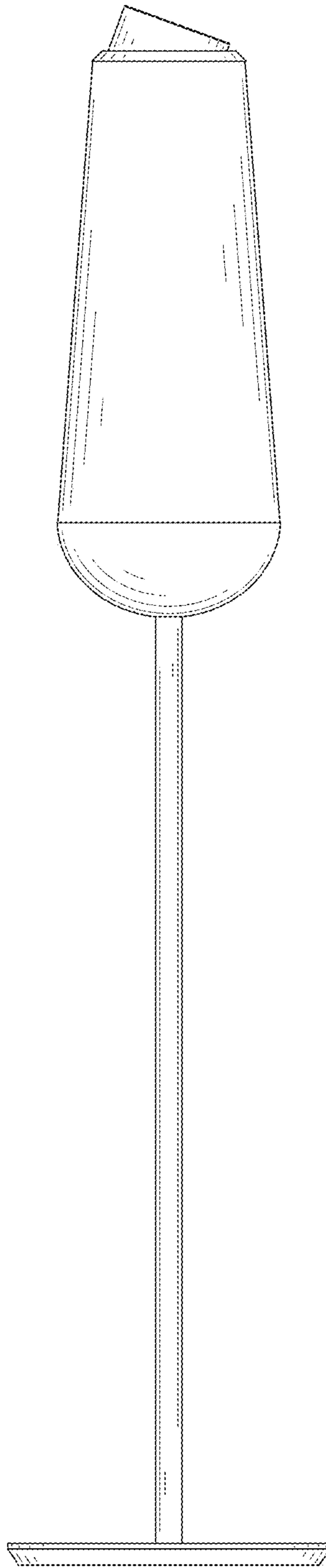


FIG. 3

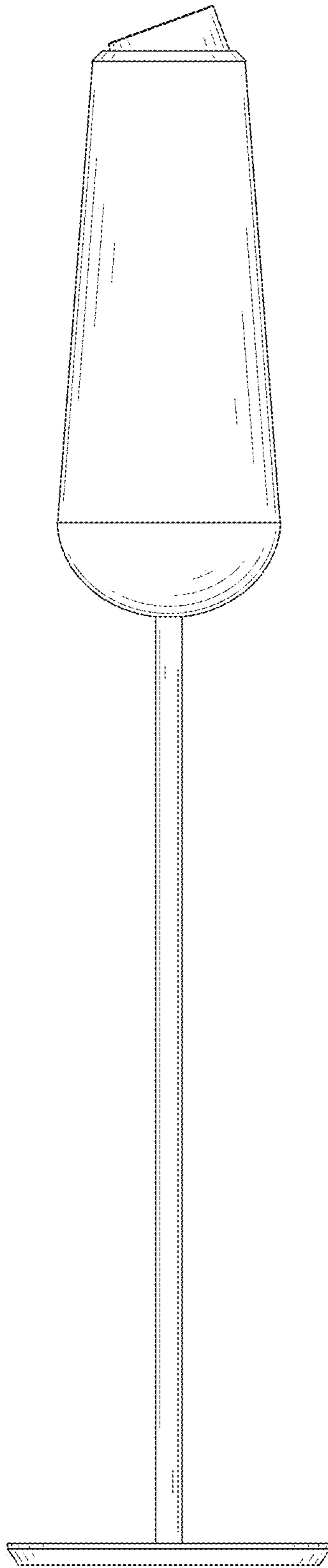


FIG. 4

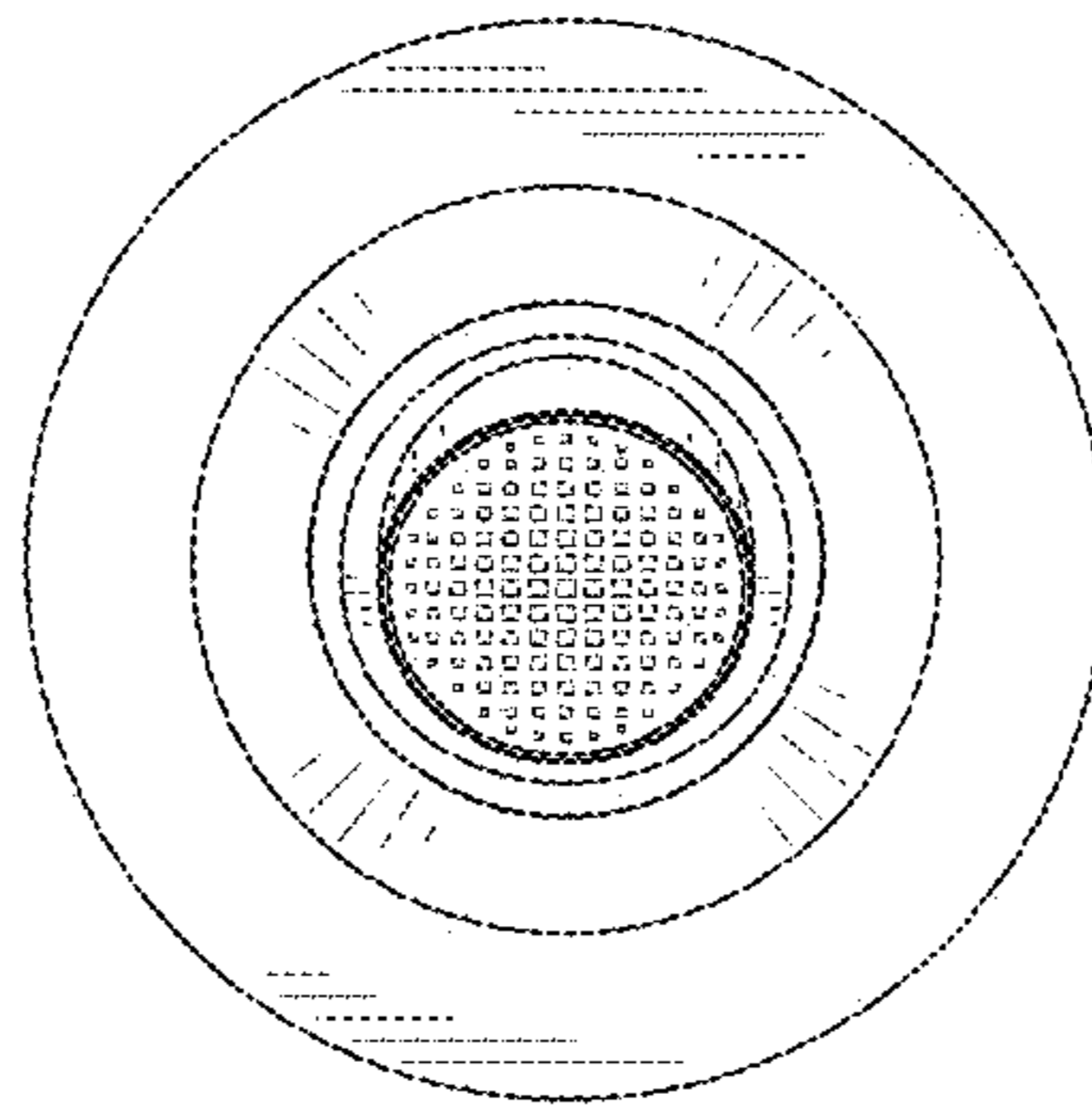


FIG. 5

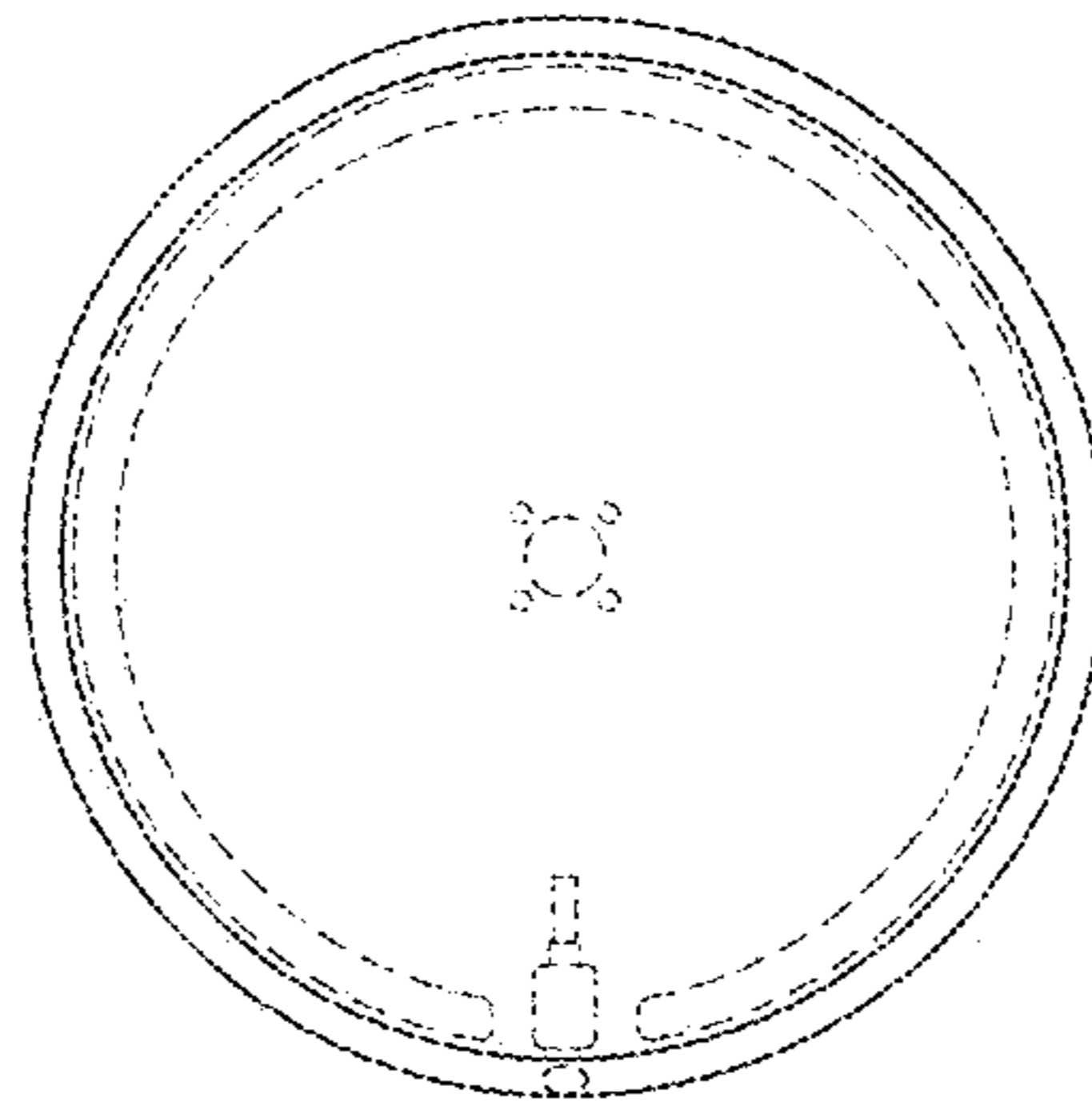


FIG. 6

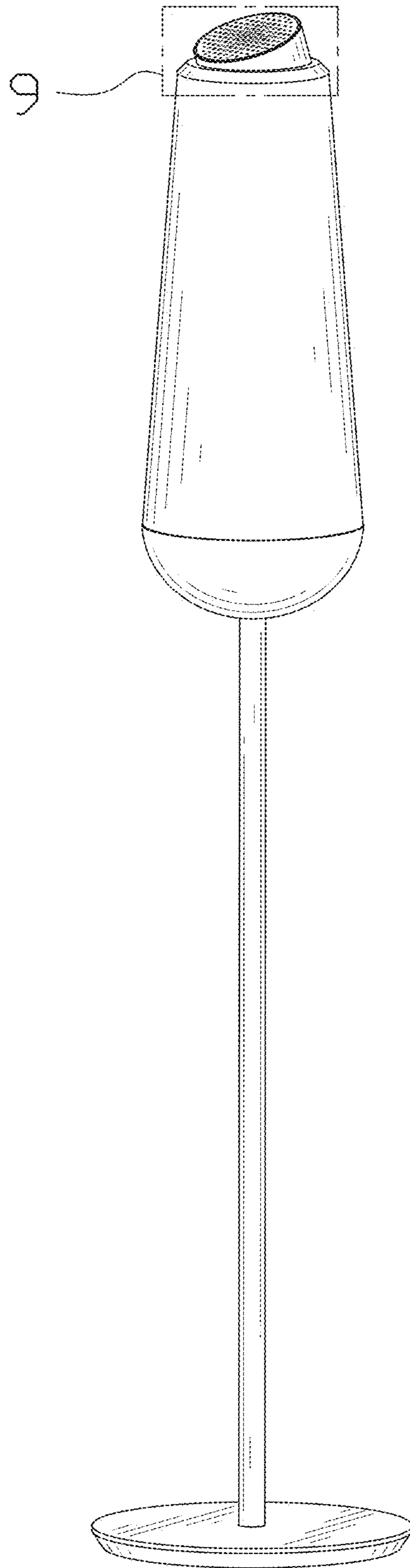


FIG. 7

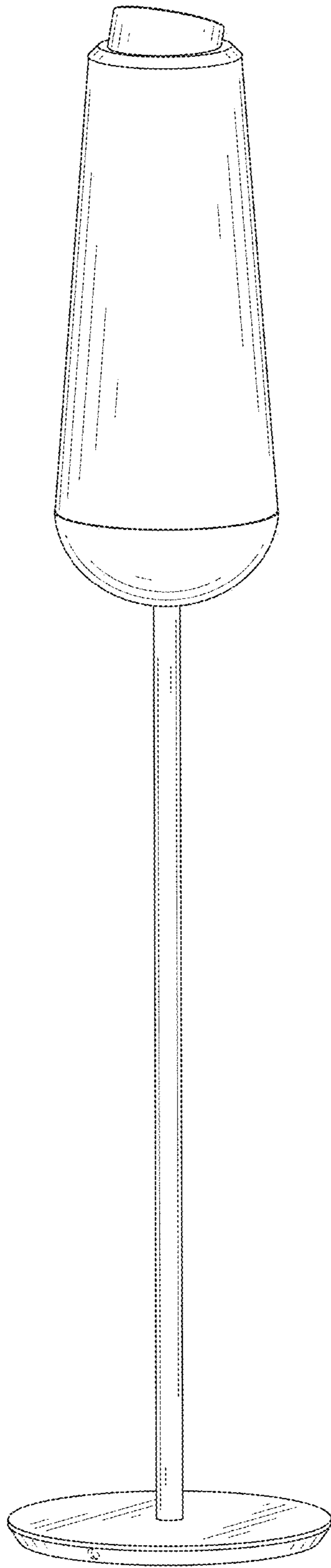


FIG. 8

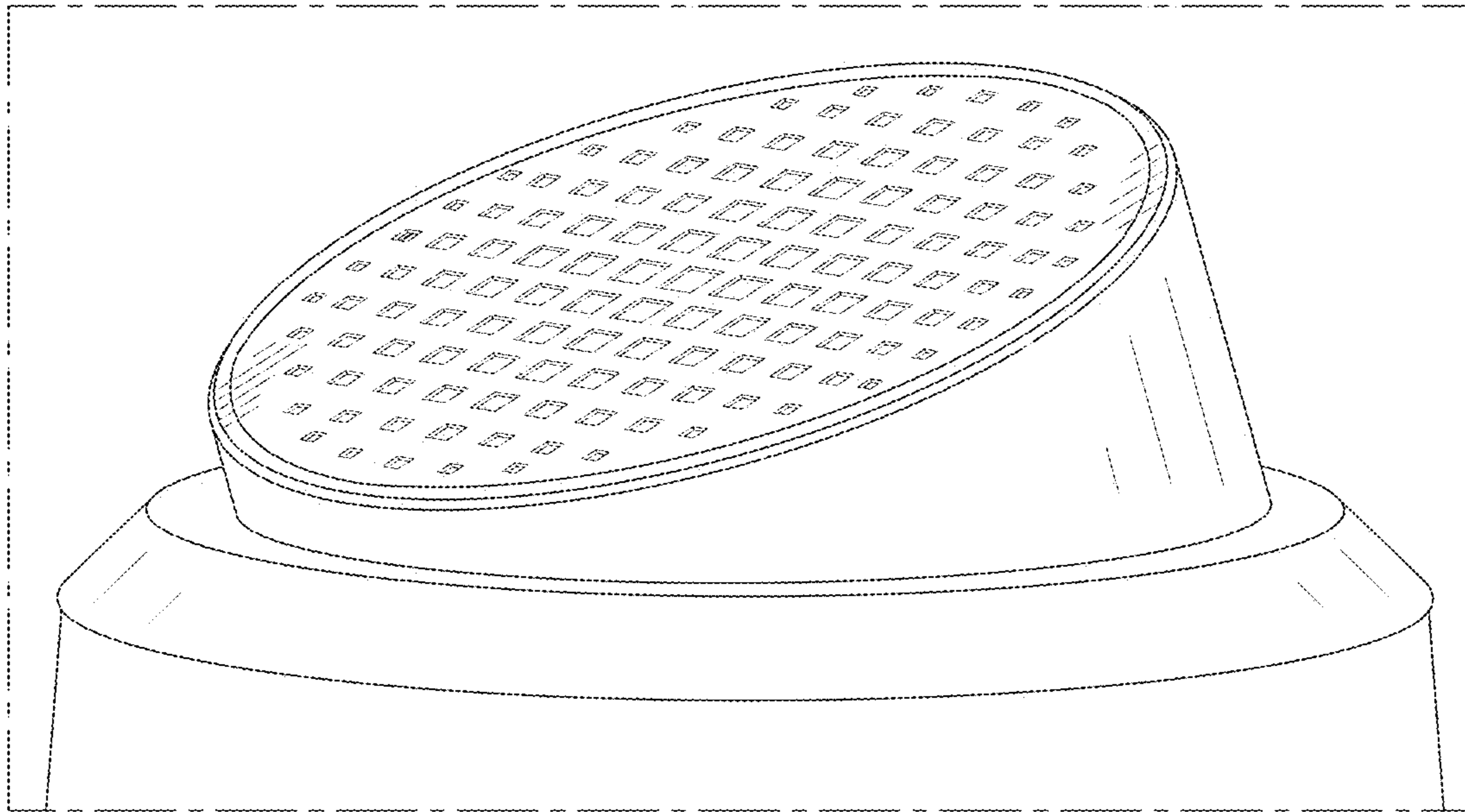


FIG. 9