



US00D883249S

(12) **United States Design Patent**  
**Arefti et al.**

(10) **Patent No.:** **US D883,249 S**

(45) **Date of Patent:** **\*\* May 5, 2020**

(54) **JUKEBOX WITH COVER ASSEMBLY**

(71) Applicant: **TouchTunes Music Corporation**, New York, NY (US)

(72) Inventors: **Vitalie Arefti**, Laval (CA); **Michel Bryant**, Laval (CA); **Jean Gauthier**, Sainte-Therese (CA); **Leo Maheu**, Montreal (CA); **Daniel Hamric**, Lake in the Hills, IL (US); **Michael Tooker**, Montreal (CA)

(73) Assignee: **TouchTunes Music Corporation**, New York, NY (US)

(\*\*) Term: **15 Years**

(21) Appl. No.: **29/650,773**

(22) Filed: **Jun. 8, 2018**

(51) **LOC (12) Cl.** ..... **14-01**

(52) **U.S. Cl.**

USPC ..... **D14/172**

(58) **Field of Classification Search**

USPC ..... D14/167, 168, 170–172, 188, 194–196, D14/204, 207, 209.1, 210–219, 221, 222, D14/224, 239, 496, 401, 435, 474, 483, D14/137, 138, 160, 356, 203.1–203.8, D14/507, 184, 173; 345/156, 169, 345/173–179, 905; 715/727–729, 864; 710/1, 5, 8; 713/1, 600; 455/1, 73,  
(Continued)

(56) **References Cited**

**U.S. PATENT DOCUMENTS**

D215,853 S \* 11/1969 La Zar ..... D14/212

D254,052 S \* 1/1980 Wolfe ..... D10/51

(Continued)

**OTHER PUBLICATIONS**

TouchTunes—Fusion Music System 0 May 2019, RePlayMag.com, May 2, 2019, [online], [site visited Jun. 6, 2019]. URL: https://

www.replaymag.com/touchtunes-fusion-music-system-may-2019/  
(Year: 2019).\*

(Continued)

*Primary Examiner* — T Chase Nelson

*Assistant Examiner* — Jonathan J. Han

(74) *Attorney, Agent, or Firm* — Nixon & Vanderhye, P.C.

(57) **CLAIM**

The ornamental design for a jukebox with cover assembly, as shown and described.

**DESCRIPTION**

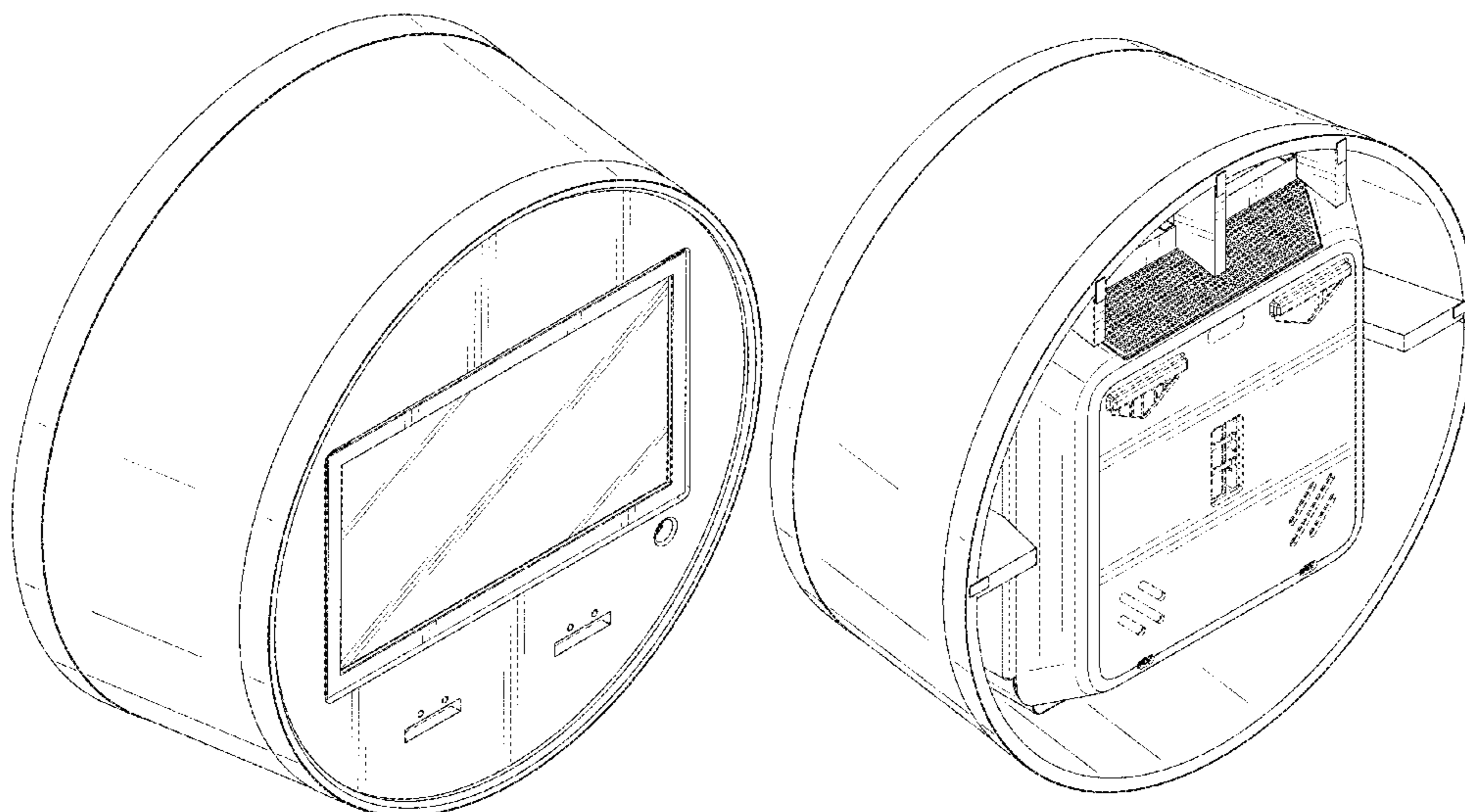
FIG. 1 is a front perspective view of a jukebox with a cover assembly in accordance with our design; FIG. 2 is a front elevation view thereof; FIG. 3 is a rear elevation view thereof; FIG. 4 is a top plan view thereof; FIG. 5 is a bottom plan view thereof; FIG. 6 is a left side view thereof; FIG. 7 is a right side view thereof; FIG. 8 is a rear perspective view thereof; and, FIG. 9 is a front perspective of the jukebox with the cover assembly of FIG. 1, with an articulating display screen (e.g., touchscreen) of the jukebox being opened.

The dashed lines shown in FIGS. 1-9 represent environmental structure and form no part of the claimed design. The dotted lines shown in FIGS. 1-9 represent the boundary between claimed and unclaimed subject matter and form no part of the claimed design. Some views of some of the jukebox and cover assembly portions may not be shown and therefore represent unclaimed subject matter.

The stippling in the drawings indicates at least partially translucent and/or at least partially reflective surfaces.

It will be appreciated that the design described herein may be wall-mounted in some instances.

**1 Claim, 8 Drawing Sheets**



(58) **Field of Classification Search**

USPC ..... 455/344–347, 93, 95, 3.01–3.06, 550.1,  
 455/575.1; 370/342–344; 369/1, 2,  
 369/6–12; 463/43–47; 273/148 B;  
 D10/46, 49, 50; 236/46 R, 47, 94;  
 337/112, 327, 360  
 CPC ..... B60R 11/0217; G06F 1/1688; G10K 9/22;  
 G10K 11/004; H03F 1/327; H04M 1/03;  
 H04M 1/035; H04N 5/642; H04N  
 21/4852; H04R 1/02; H04R 1/06; H04R  
 1/021; H04R 1/025; H04R 1/026; H04R  
 1/028; H04R 1/105; H04R 1/323; H04R  
 1/403; H04R 1/2803; H04R 1/2834;  
 H04R 5/02; H04R 7/20; H04R 9/06;  
 H04R 9/025; H04R 2201/021; H04R  
 2400/00; H04R 2400/07; H04R 2499/11;  
 H04R 2499/13; H04R 2499/15; H04S  
 3/00; H04S 7/30

See application file for complete search history.

(56) **References Cited**

U.S. PATENT DOCUMENTS

D291,536 S \* 8/1987 Crawford ..... D9/440  
 D390,482 S \* 2/1998 Pasquarette ..... D10/50  
 D456,807 S \* 5/2002 Floyd ..... D14/356  
 D503,631 S \* 4/2005 Peabody ..... D10/50  
 D506,150 S \* 6/2005 Backlund ..... D10/50  
 D506,689 S \* 6/2005 Backlund ..... D10/60  
 D512,406 S \* 12/2005 Shimizu ..... D14/167  
 D551,577 S \* 9/2007 Barton ..... D10/50  
 D560,209 S \* 1/2008 Kim ..... D14/215  
 D585,898 S \* 2/2009 Skurdal ..... D14/434

D606,517 S \* 12/2009 Nousiainen ..... D14/216  
 D607,347 S \* 1/2010 Goh ..... D10/46  
 D617,314 S \* 6/2010 Zha ..... D14/216  
 D665,375 S \* 8/2012 Garneau ..... D14/173  
 D671,528 S \* 11/2012 Fathollahi ..... D14/211  
 D687,809 S \* 8/2013 Bergmann ..... D14/209.1  
 D705,815 S \* 5/2014 Green ..... D14/509  
 D710,329 S \* 8/2014 Holzer ..... D14/216  
 D734,735 S \* 7/2015 Tooker ..... D14/172  
 D791,093 S \* 7/2017 Clegg ..... D14/125  
 D810,045 S \* 2/2018 Kim ..... D14/204  
 D820,318 S \* 6/2018 Mullins ..... D14/496  
 D824,763 S \* 8/2018 Suess ..... D9/454  
 D826,738 S \* 8/2018 Liao ..... D10/52  
 D835,070 S \* 12/2018 DePasquale ..... D14/216  
 D837,148 S \* 1/2019 Brown ..... D13/108  
 D843,238 S \* 3/2019 Rose ..... D10/50  
 D843,239 S \* 3/2019 Read ..... D10/50

OTHER PUBLICATIONS

TouchTunes Debuts Customizable ‘Fusion’ Music System, Barrel Edition Tailored For Brewpubs And Taprooms, VendingTimes.com, by Emily Jed, Posted on: Apr. 2, 2019, [online], [site visited Jun. 6, 2019]. URL: <https://www.vendingtimes.com/articles/touchtunes-debuts-customizable-fusion-music-system-1242> (Year: 2019).\*

Honeywell RTH6450D1009/E1 RTH6450D1009 5-1-1-Day Programmable Thermostat, Amazon.com, Date First Available: Jun. 28, 2010, [online], [site visited Jun. 6, 2019]. URL: <https://www.amazon.com/Honeywell-RTH6450D1009-E1-Programmable-Thermostat/dp/B003VIWQL4> (Year: 2010).\*

EAI S-540 Black Digital Stopwatch, StopWatchesUSA.com, [online], [site visited Jun. 6, 2019]. URL: <https://www.stopwatchesusa.com/eai-s-540-black-digital-stopwatch/> (Year: 2019).\*

\* cited by examiner

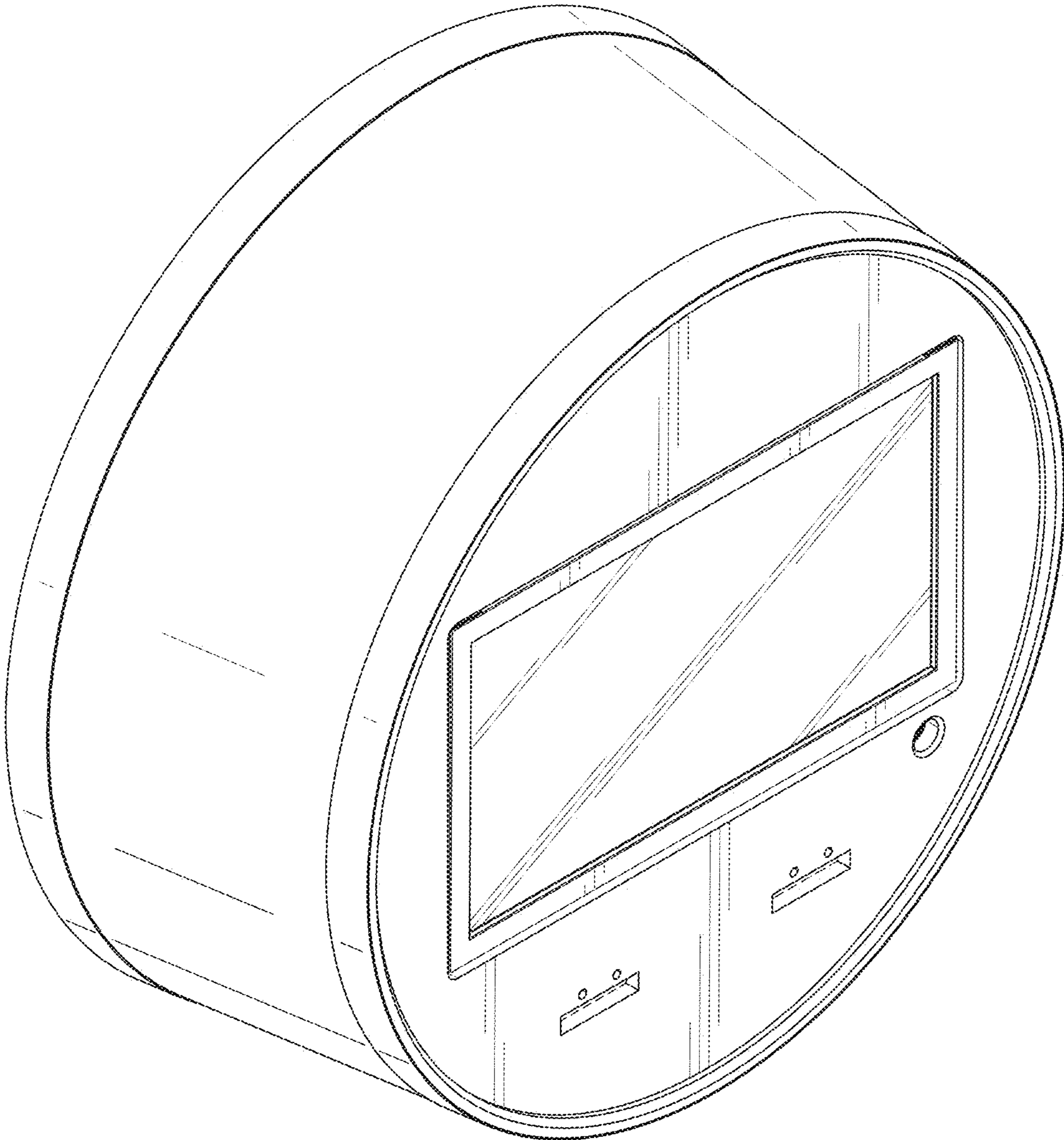


Fig. 1

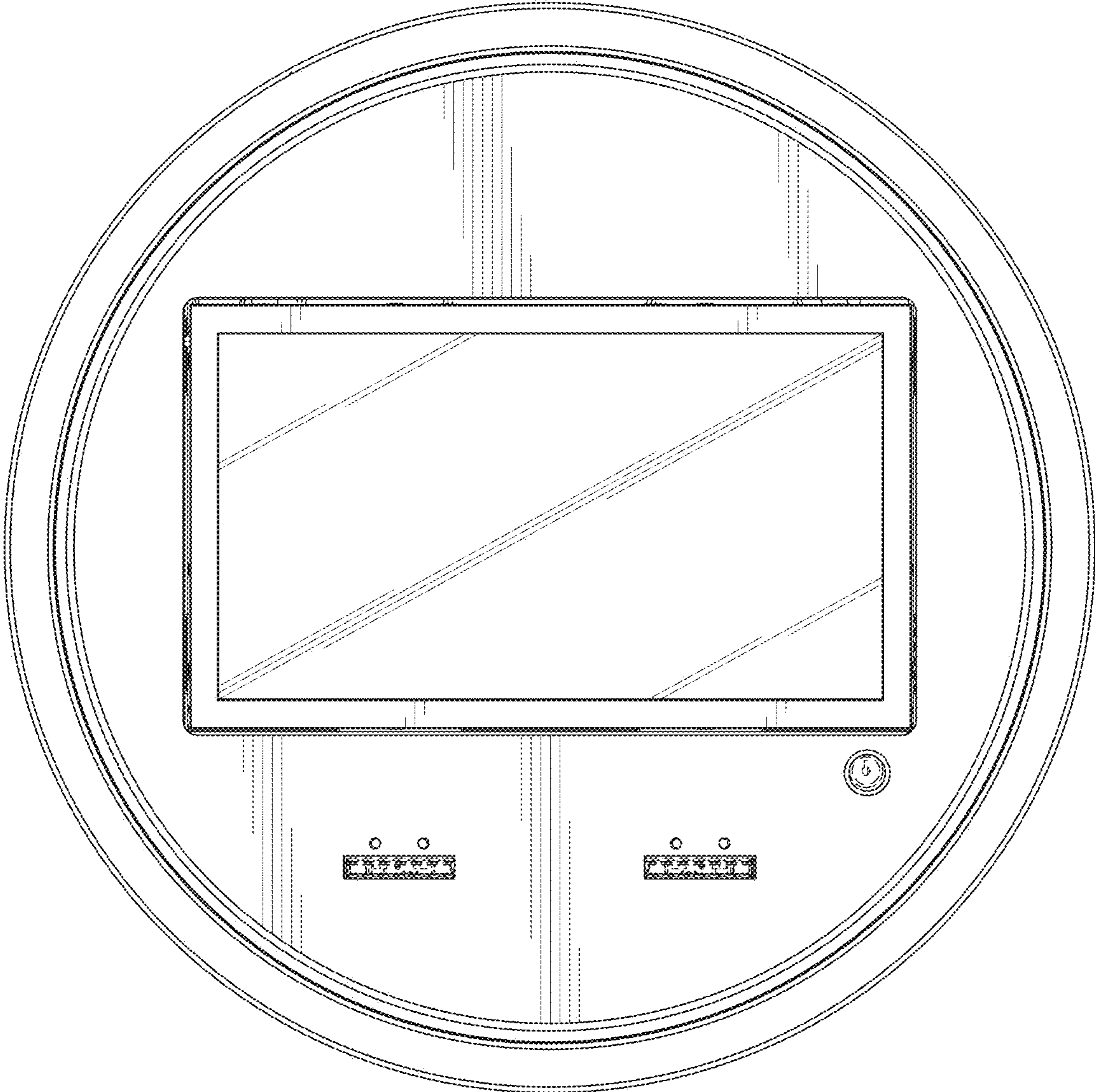


Fig. 2

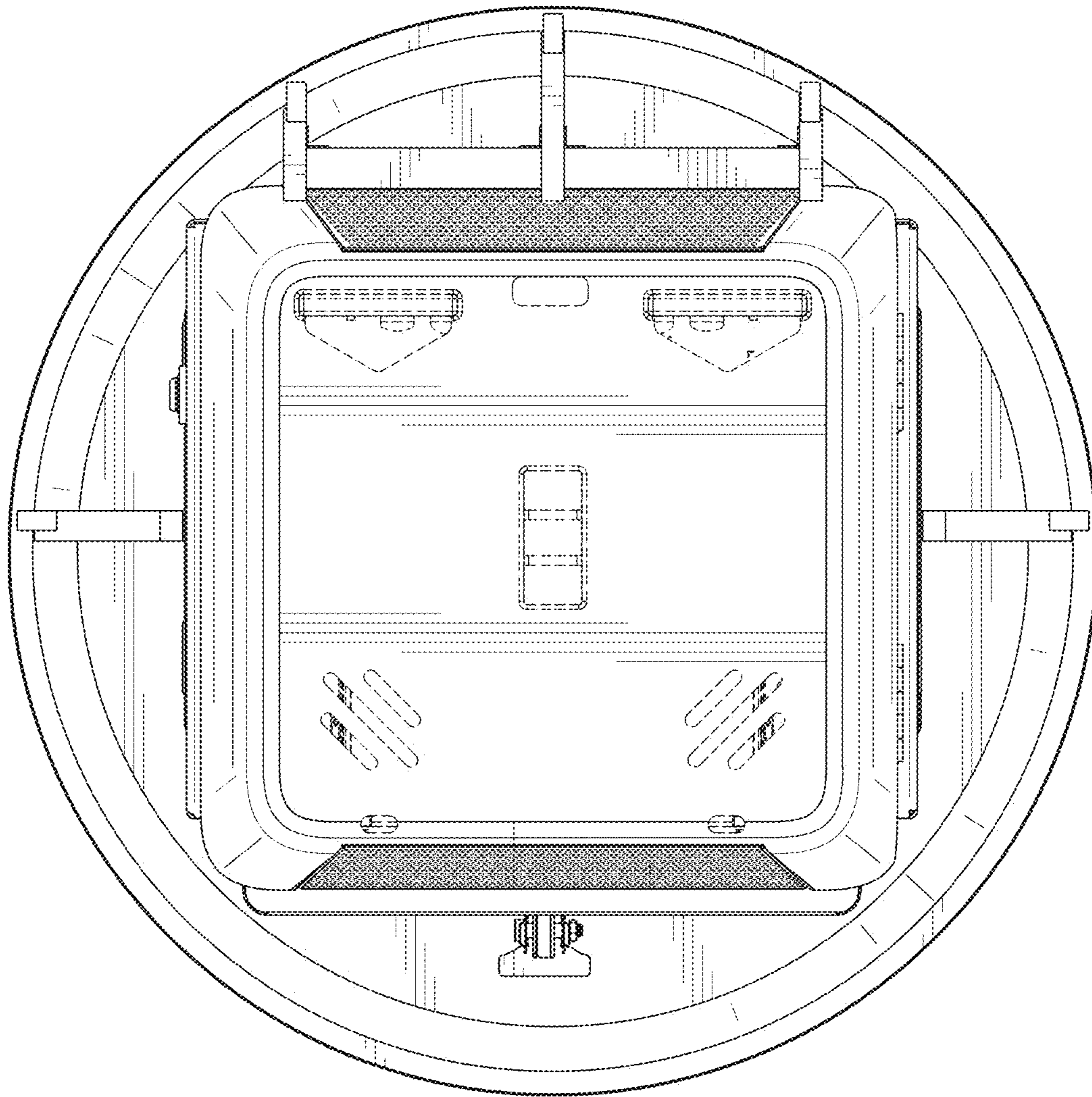


Fig. 3

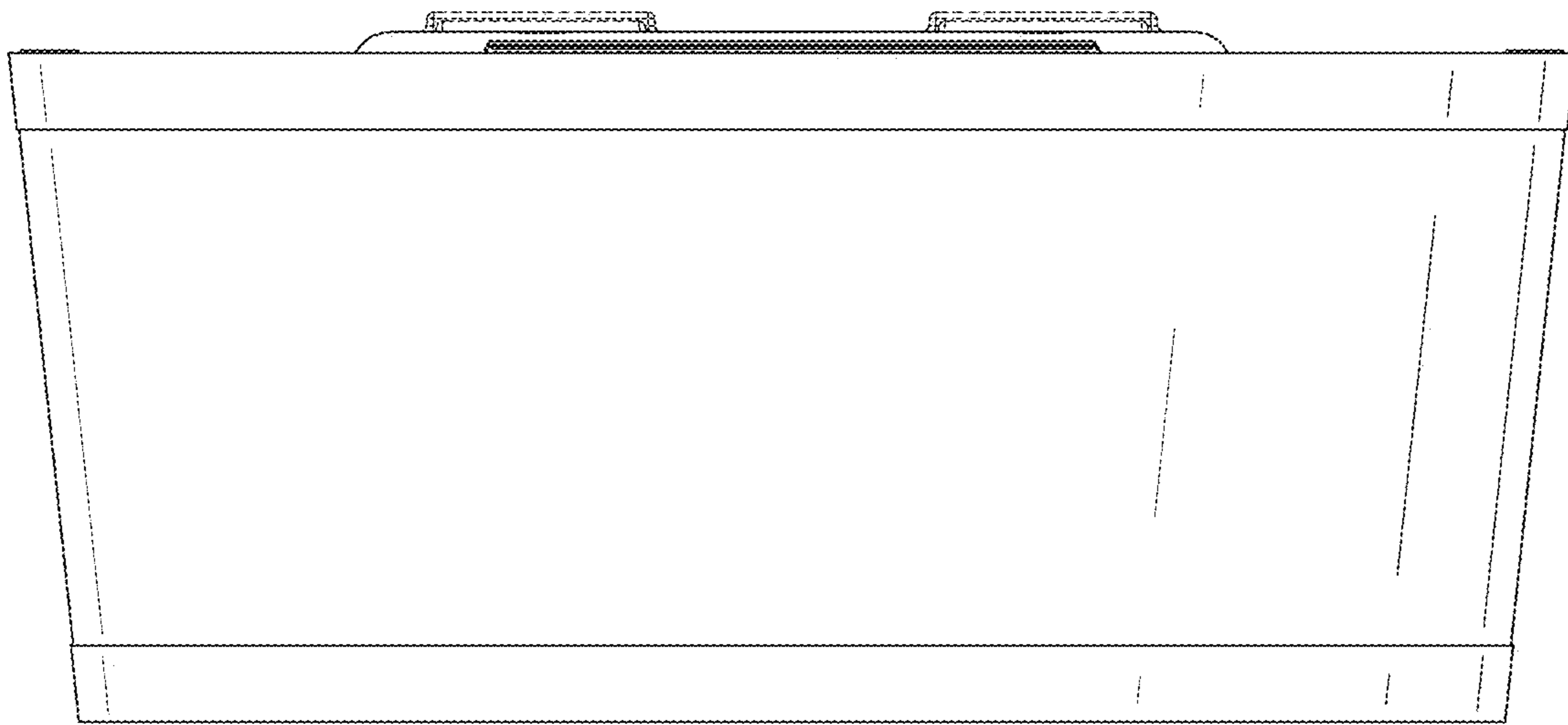


Fig. 4

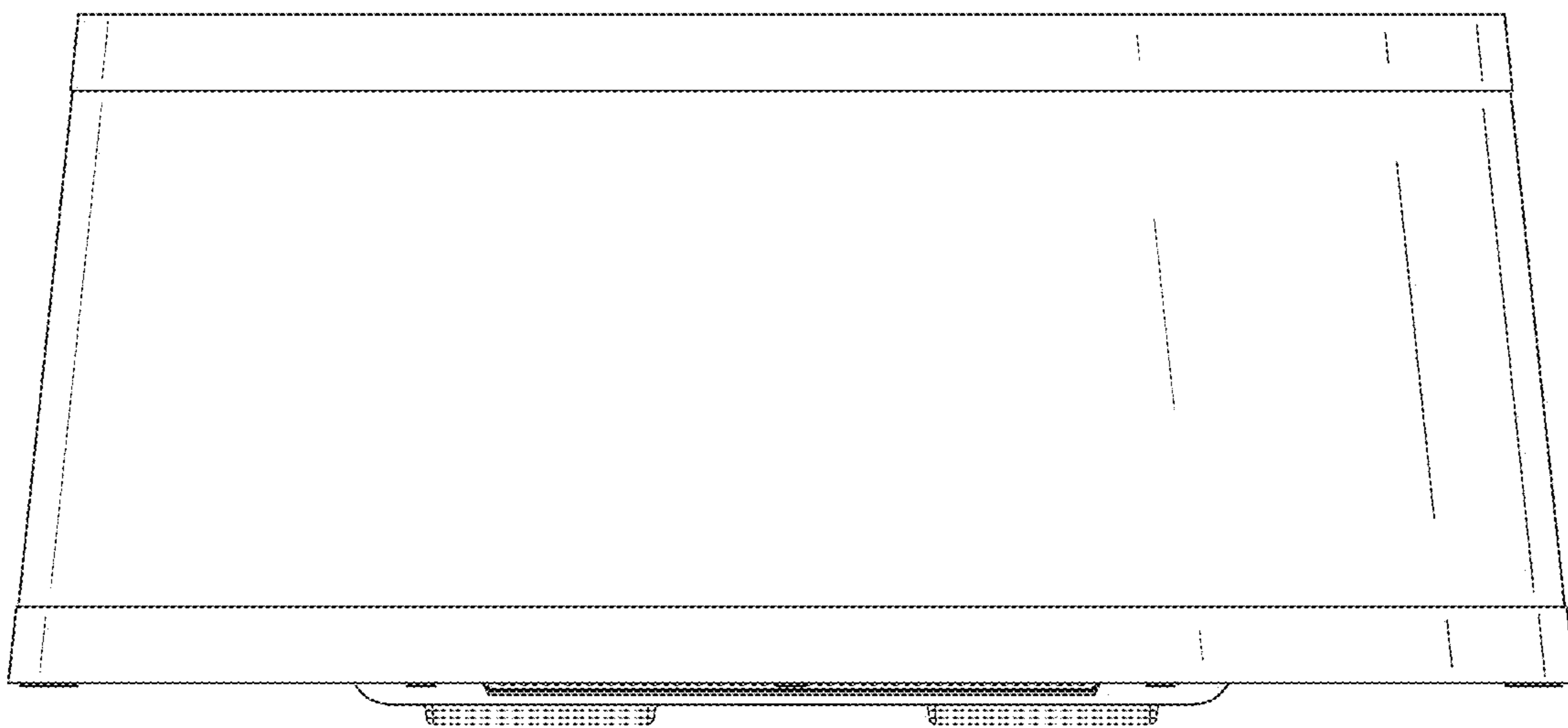


Fig. 5

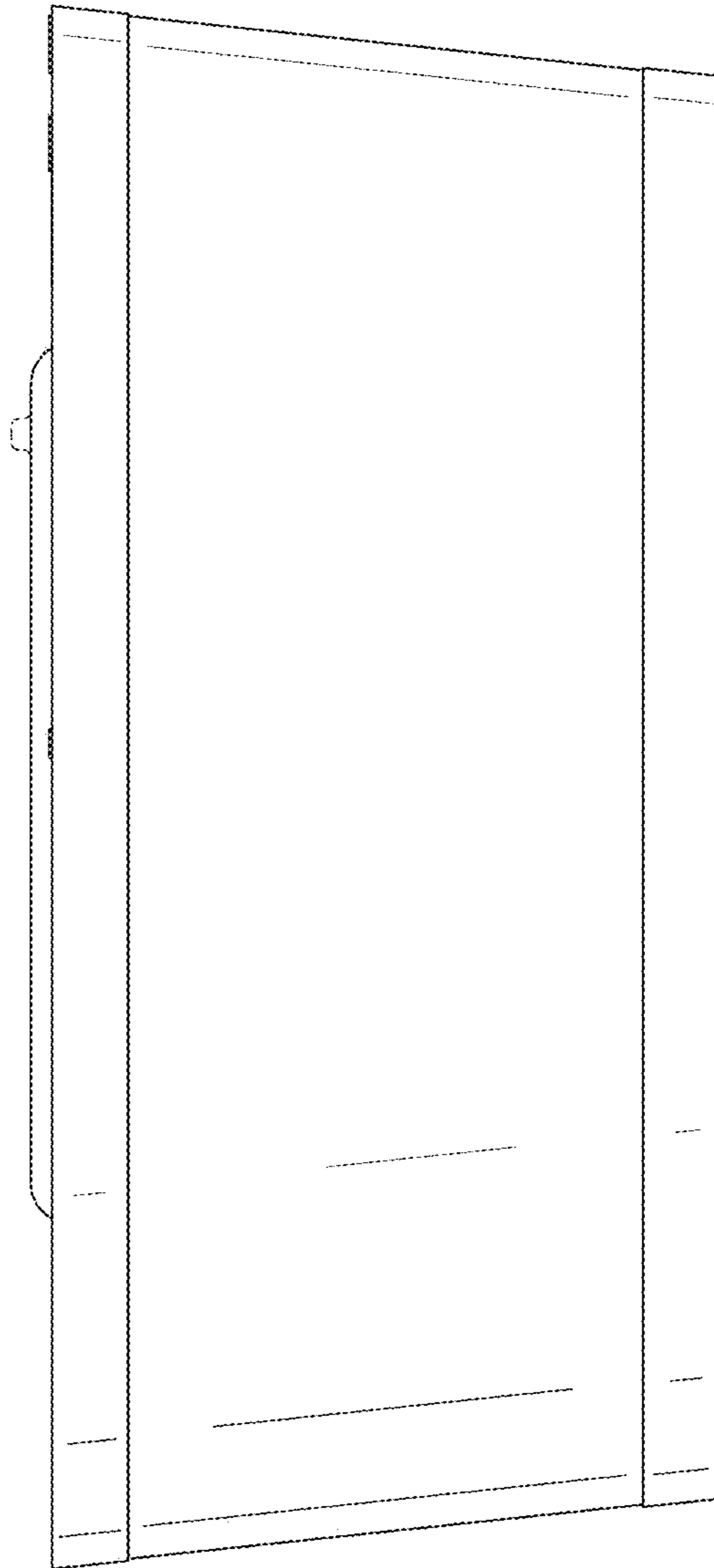


Fig. 6

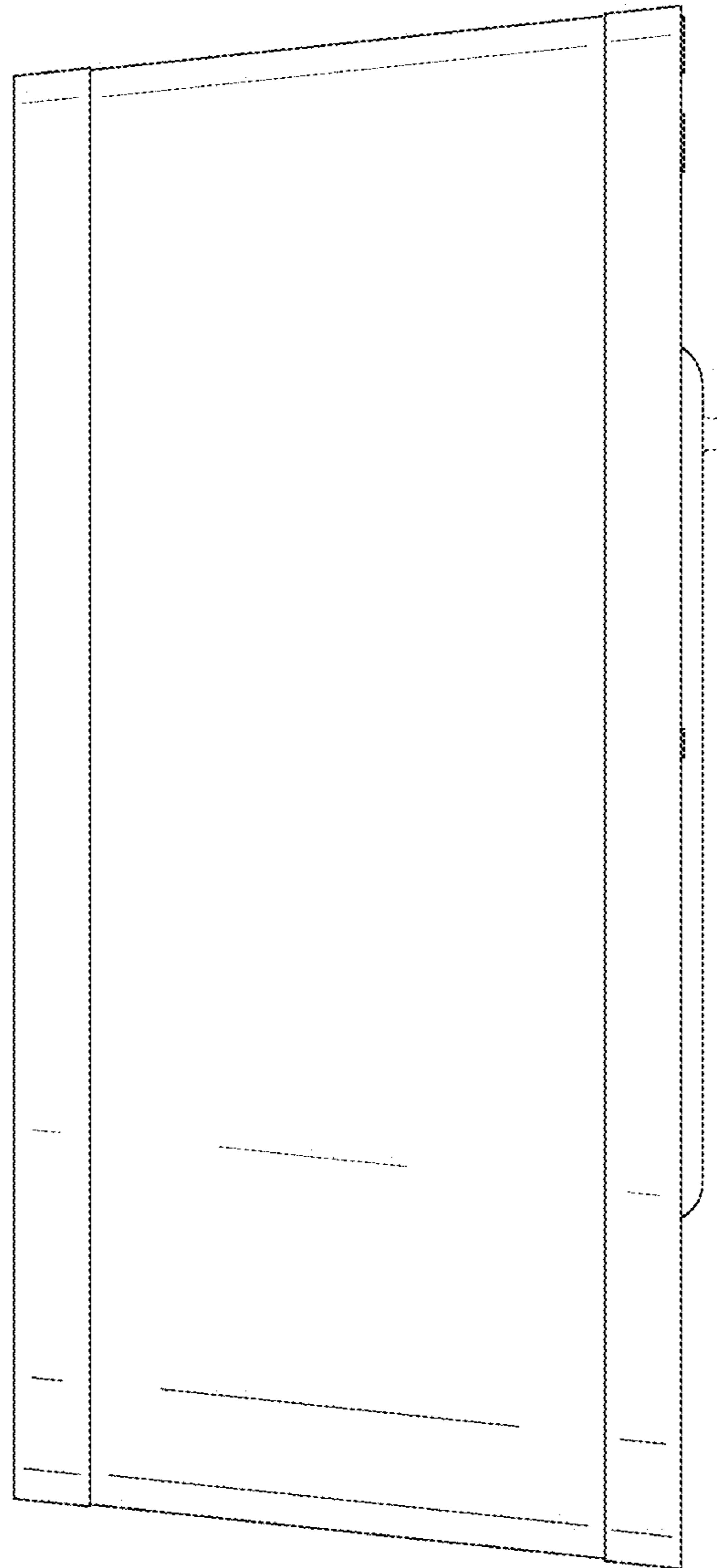


Fig. 7



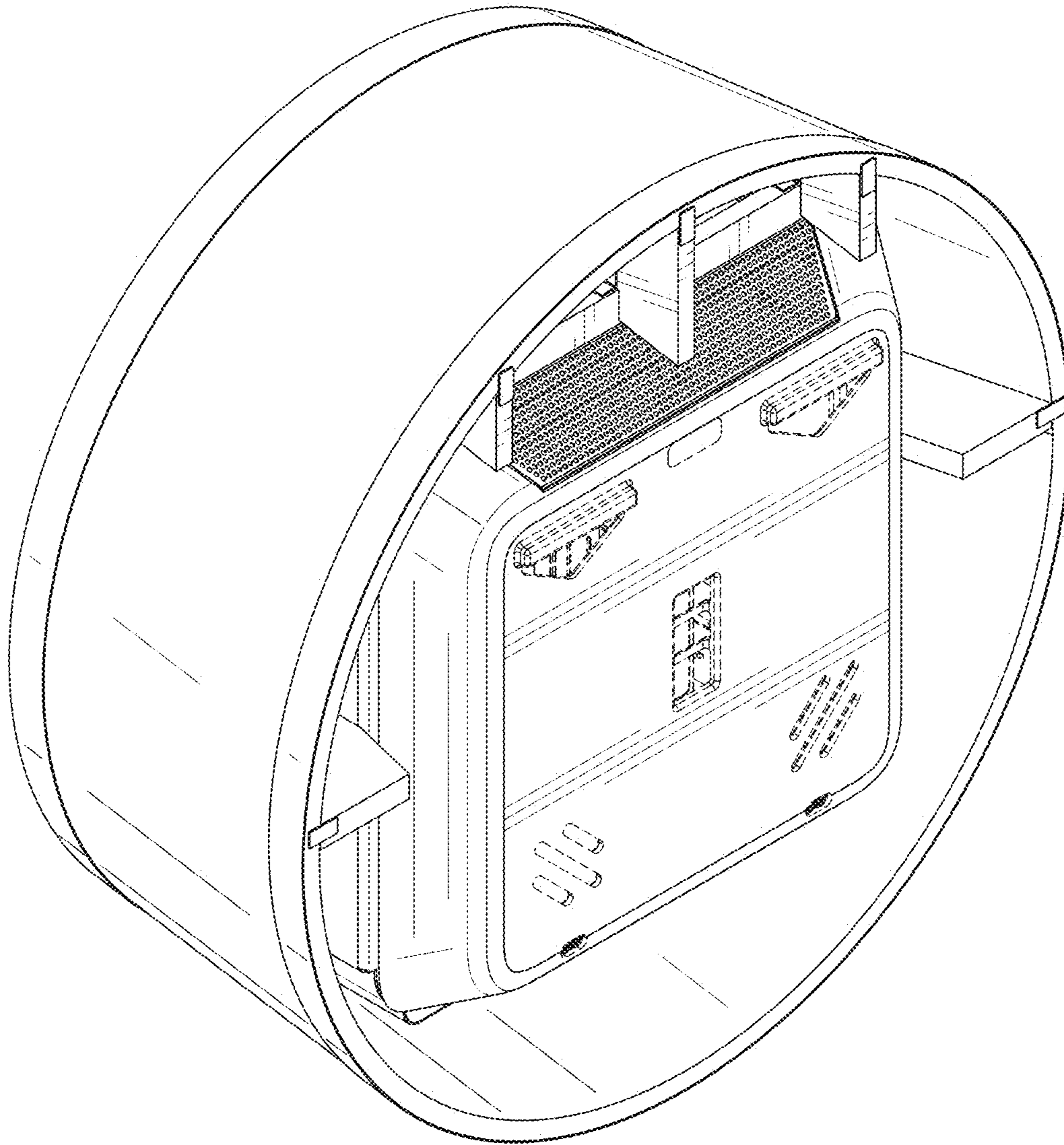


Fig. 8

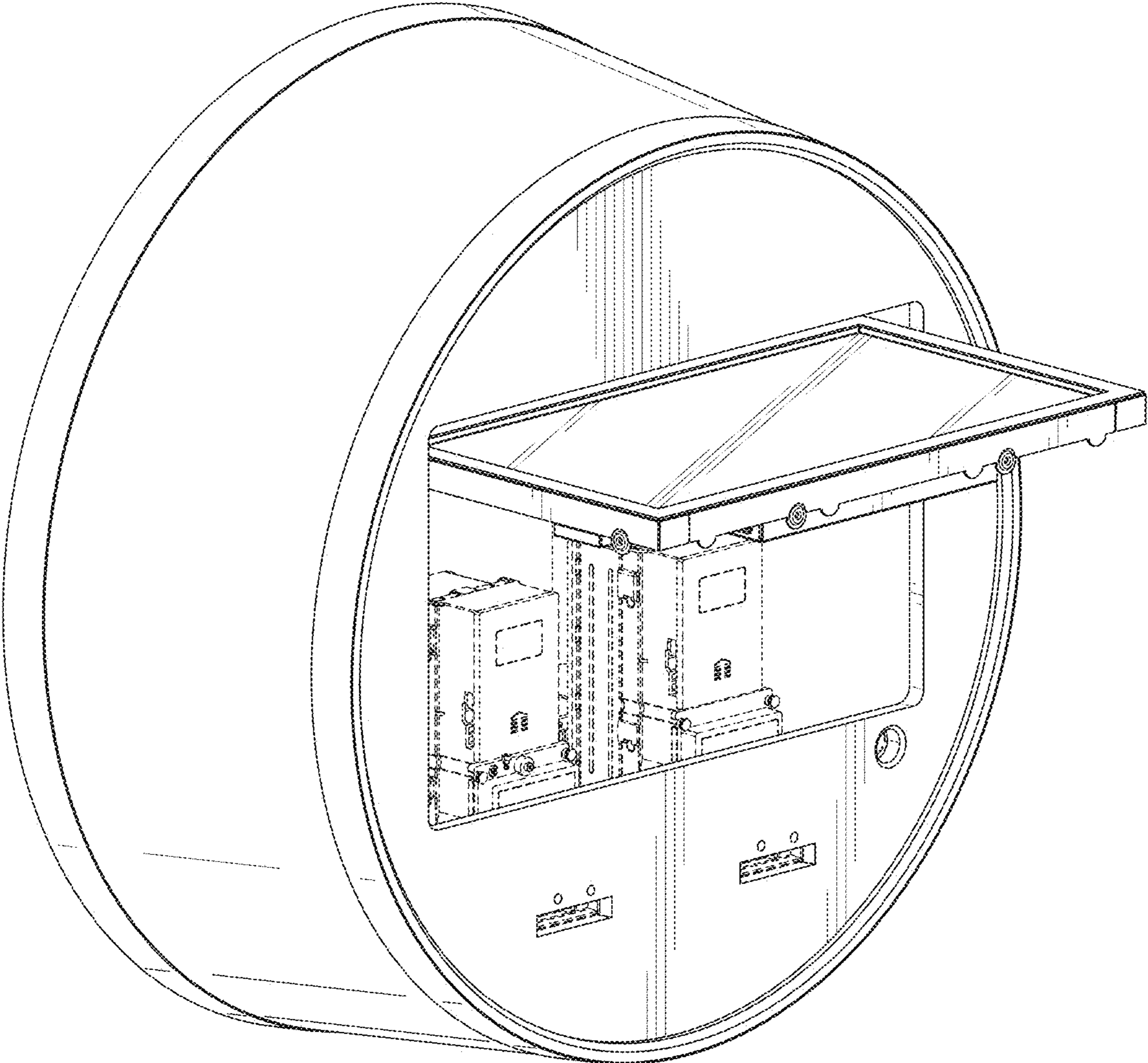


Fig. 9