



US00D883248S

(12) **United States Design Patent** (10) **Patent No.:** **US D883,248 S**
Zhang et al. (45) **Date of Patent:** **** May 5, 2020**

(54) **NETWORK CONFERENCE TELEPHONE APPARATUS** 3/564; H04M 3/568; H04M 9/02; H04M 9/022; H04M 9/08; H04R 1/00; H04R 1/02; H04R 1/403; H04R 1/406; H04R 27/00

(71) Applicant: **YEALINK (XIAMEN) NETWORK TECHNOLOGY CO., LTD.**, Xiamen, Fujian (CN) See application file for complete search history.

(72) Inventors: **Jian Cheng Zhang**, Fujian (CN); **Wei Cen Xu**, Fujian (CN); **Chun Sheng Su**, Fujian (CN); **Jing Feng Su**, Fujian (CN); **Lian Chang Zhang**, Fujian (CN); **Ji Wei Zhou**, Fujian (CN)

(56) **References Cited**

U.S. PATENT DOCUMENTS

D311,541 S	10/1990	Carre	
D327,479 S *	6/1992	Britz	D14/225
D342,732 S	12/1993	Hinman et al.	
D382,266 S	8/1997	Wakefield	

(Continued)

(73) Assignee: **YEALINK (XIAMEN) NETWORK TECHNOLOGY CO., LTD.**, Xiamen (CN)

OTHER PUBLICATIONS

(**) Term: **15 Years**

Speakerphones. (Design—© Questel) orbit.com.[online PDF] 89 pgs. Print Dates Range Apr. 20, 1988 through Nov. 21, 2017 [Retrieved on Jan. 31, 2019] <https://sobjprd.questel.fr/export/QPTUJ214/pdf2/1e868d53-d663-4454-91b1-5ab358883e21-021417.pdf>.

(21) Appl. No.: **29/686,837**

(22) Filed: **Apr. 8, 2019**

Primary Examiner — Marie D. Fast Horse

Related U.S. Application Data

(62) Division of application No. 29/617,476, filed on Sep. 14, 2017.

(57) **CLAIM**

The ornamental design for a network conference telephone apparatus, as shown and described.

(30) **Foreign Application Priority Data**

Jun. 19, 2017 (CN) 2017 3 0251942

(51) **LOC (12) Cl.** **14-03**

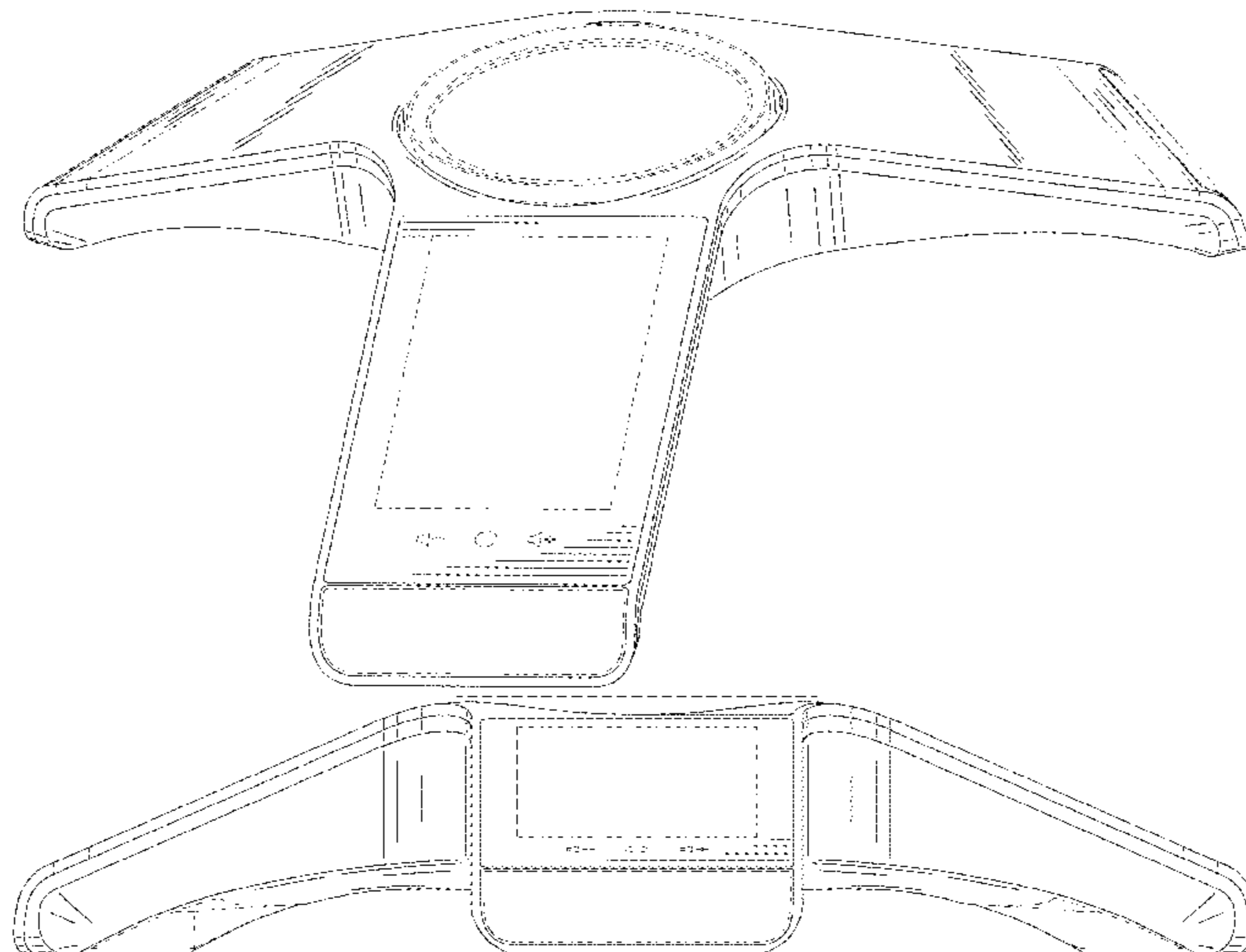
(52) **U.S. Cl.**
USPC **D14/149**; D14/211

(58) **Field of Classification Search**
USPC D14/140, 140.1, 141.1, 142, 144, 147, D14/149, 150, 155, 168, 172, 204, 206, D14/209.1, 212, 213, 215, 216, 248, 249, D14/299, 496, 226, 356, 358, 432, 454, D14/192, 221, 127-130, 211; D10/104.1, D10/106.1, 106.3, 106.5
CPC H04M 1/00; H04M 1/026; H04M 1/04; H04M 1/6033; H04M 1/60041; H04M 3/02; H04M 3/005; H04M 3/56; H04M

DESCRIPTION

FIG. 1 is a perspective view of a network conference telephone apparatus showing our new design; FIG. 2 is a front elevational view thereof; FIG. 3 is a rear elevational view thereof; FIG. 4 is a left side view thereof; FIG. 5 is a right side view thereof; FIG. 6 is a top plan view thereof; and, FIG. 7 is a bottom plan view thereof. All broken lines in the drawings depict portions of the network conference telephone apparatus that form no part of the claimed design.

1 Claim, 7 Drawing Sheets



(56)

References Cited

U.S. PATENT DOCUMENTS

D403,328 S 12/1998 Wakefield
 D406,841 S * 3/1999 Myung D14/150
 D411,995 S 7/1999 Chen
 D431,236 S 9/2000 Read et al.
 D434,747 S * 12/2000 Bird D14/150
 D439,538 S 3/2001 Lynch
 D449,285 S 10/2001 Wakefield et al.
 D449,286 S 10/2001 Wakefield et al.
 D457,150 S * 5/2002 Chen D14/150
 D461,179 S 8/2002 Christianson
 D473,546 S 4/2003 Hovanky et al.
 D478,560 S 8/2003 Misrahi et al.
 D480,059 S 9/2003 Misrahi et al.
 D481,371 S * 10/2003 Chen D14/150
 D487,076 S * 2/2004 Nakane D14/216
 D488,794 S * 4/2004 Chen D14/150
 D491,909 S 6/2004 Sun
 D542,273 S * 5/2007 Park D14/215
 D556,179 S 11/2007 Chang
 D557,675 S 12/2007 Diebel et al.
 D557,676 S * 12/2007 Suzuki D14/149
 D571,776 S 6/2008 Duys et al.

D579,911 S * 11/2008 Wei D14/155
 D586,743 S * 2/2009 Guccione D13/107
 D603,373 S 11/2009 Jiang
 D620,916 S * 8/2010 Wada D14/149
 D635,955 S 4/2011 Corrigan et al.
 D640,227 S * 6/2011 Wada D14/149
 D685,755 S 7/2013 Shin et al.
 D688,225 S 8/2013 Somoza
 D714,258 S 9/2014 Montague et al.
 D723,461 S * 3/2015 Chen D13/108
 D760,201 S 6/2016 Tompkin et al.
 10,015,589 B1 7/2018 Ebenezer
 D832,262 S * 10/2018 Kato D14/433
 D834,565 S 11/2018 Sarrasin et al.
 RE47,282 E * 3/2019 Tompkin H04M 1/02
 D14/221
 D846,524 S * 4/2019 Lai D14/149
 D864,159 S * 10/2019 Ding D14/211
 2003/0053620 A1 3/2003 Chen
 2009/0268899 A1 * 10/2009 Tokuda H04M 1/6033
 379/420.02
 2012/0058754 A1 3/2012 Couse et al.
 2016/0050489 A1 * 2/2016 Lashkari H04M 9/08
 381/66

* cited by examiner

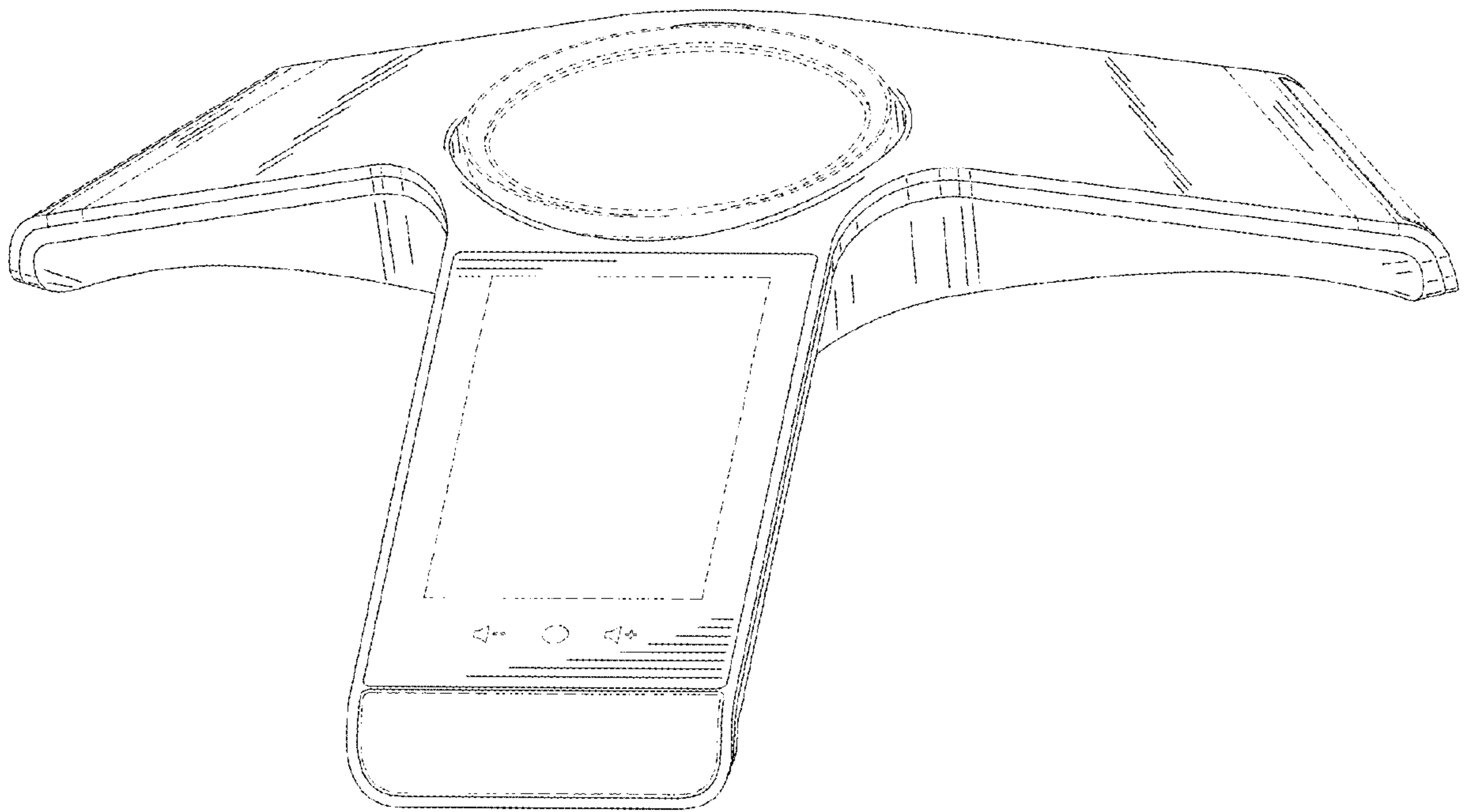


FIG.1

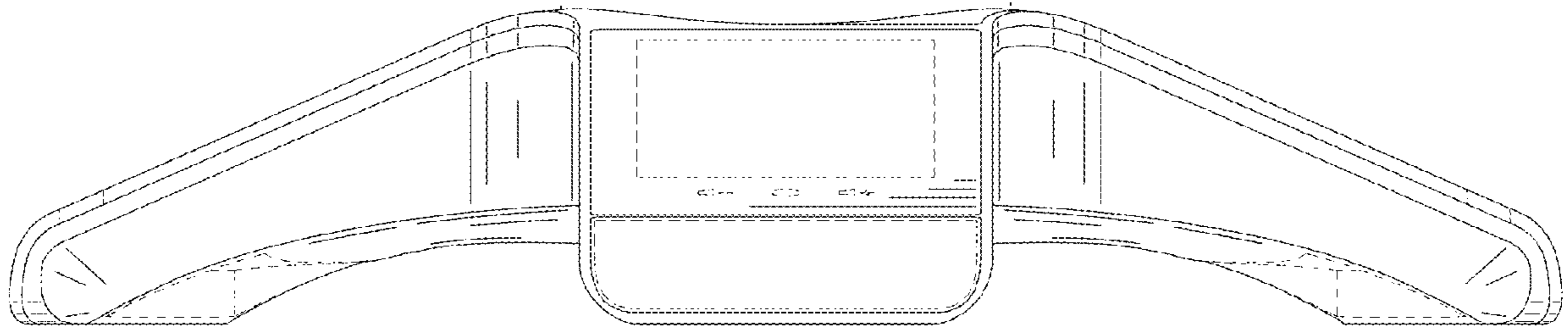


FIG.2

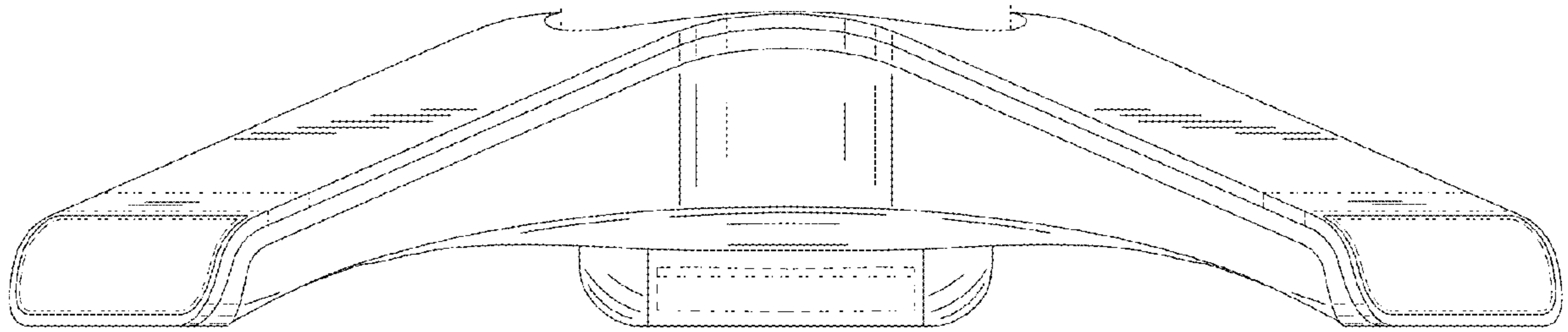


FIG.3

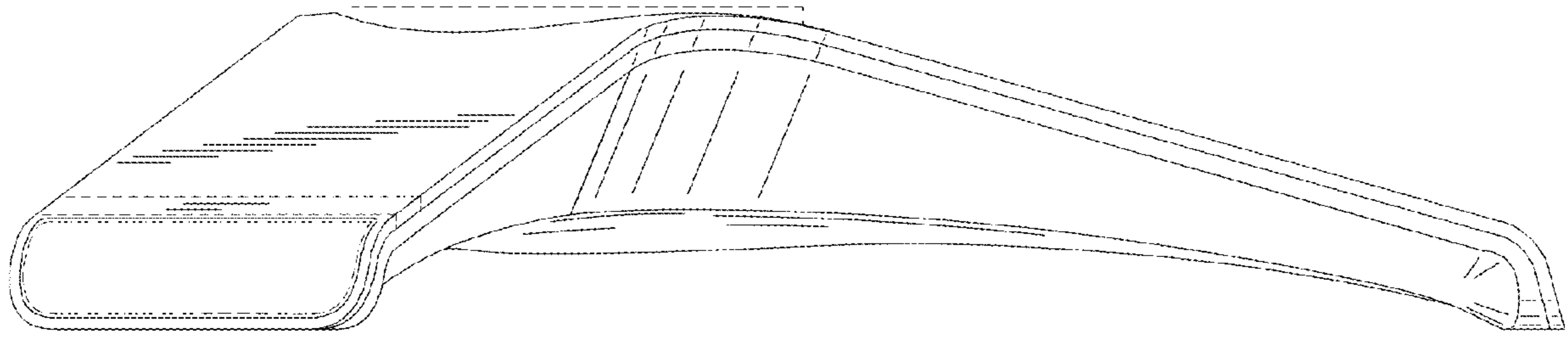


FIG.4

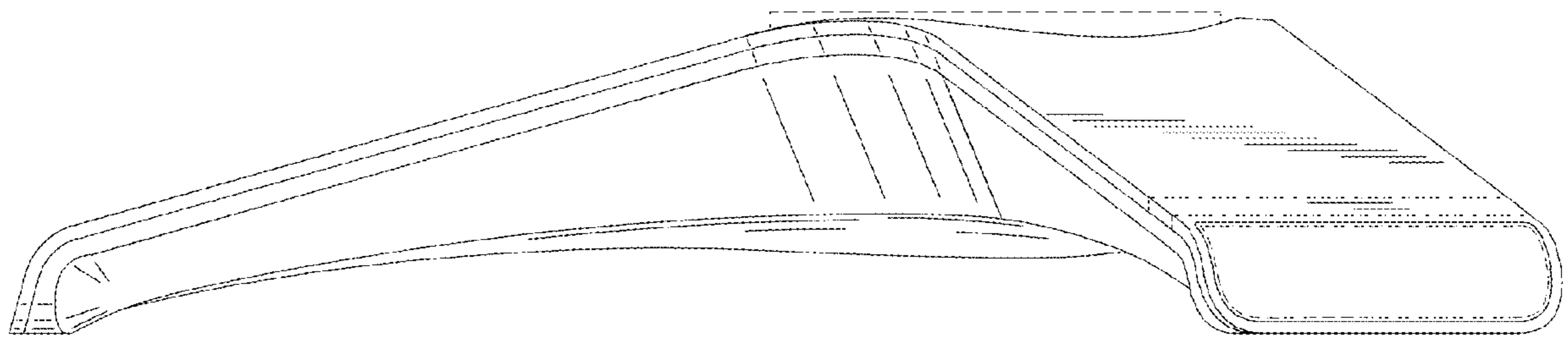


FIG.5

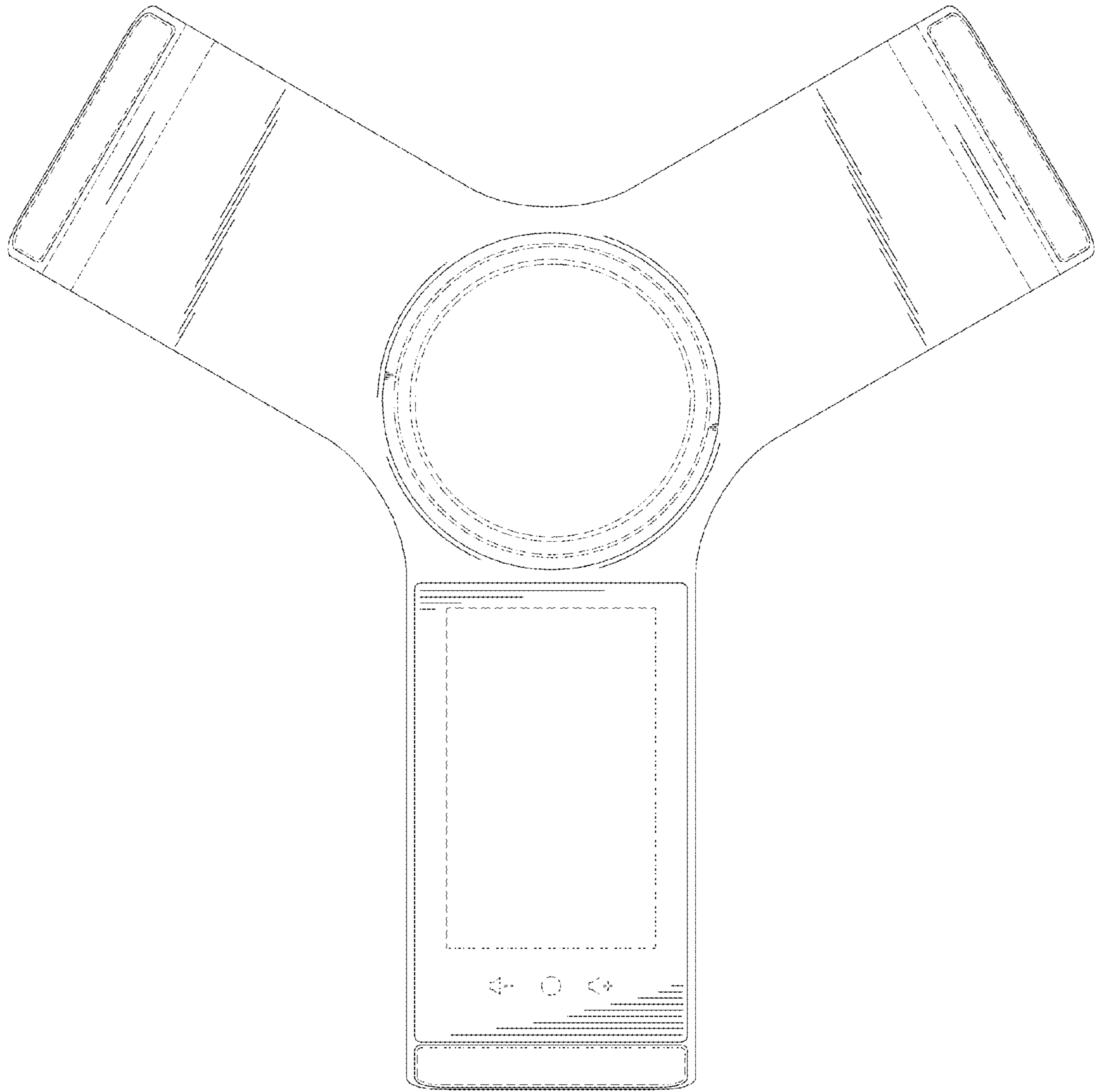


FIG.6

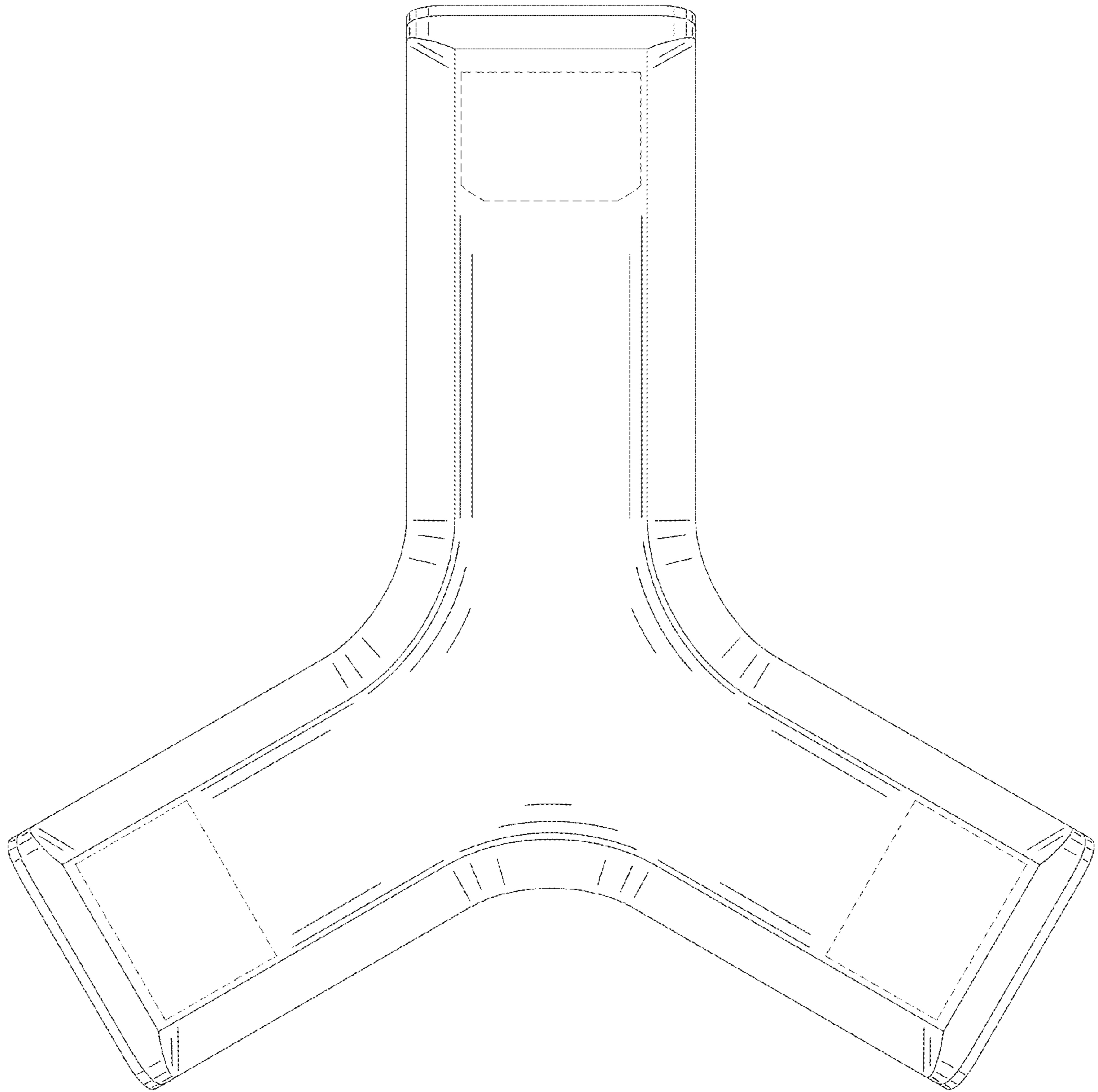


FIG.7