



US00D883245S

(12) **United States Design Patent**
Mollack

(10) **Patent No.:** **US D883,245 S**

(45) **Date of Patent:** **** May 5, 2020**

(54) **VERSATILE PAINT BRUSH**

(71) Applicant: **Jean C. Mollack**, New Britain, PA
(US)

(72) Inventor: **Jean C. Mollack**, New Britain, PA
(US)

(**) Term: **15 Years**

(21) Appl. No.: **29/620,809**

(22) Filed: **Jun. 12, 2017**

(51) **LOC (12) Cl.** **14-02**

(52) **U.S. Cl.**
USPC **D14/135**

(58) **Field of Classification Search**

USPC D4/100, 102, 114, 135, 116, 121, 127;
15/21.1, 22.1, 23, 24, 28, 29, 191.1, 192,
15/193, 194, 166, 168, 171, 175, 176.1;
132/218, 217; D28/7, 57
CPC B05C 1/00; B05C 1/02; B05C 17/0205;
B44D 2/00

See application file for complete search history.

(56) **References Cited**

U.S. PATENT DOCUMENTS

D367,762 S * 3/1996 Schmotter D4/120
D407,526 S * 3/1999 Weiler D28/7
D408,636 S * 4/1999 Gadling D4/135
D423,788 S * 5/2000 Southwell D4/118
D441,537 S * 5/2001 Tapley D4/132
D448,178 S * 9/2001 Tapley D4/132
D448,934 S * 10/2001 Barnette D4/121
D475,536 S * 6/2003 Vaes D4/135

D485,442 S * 1/2004 Twigg D4/135
D580,177 S * 11/2008 Louis-Jeune D4/121
D632,489 S * 2/2011 Twigg D4/138
D681,343 S * 5/2013 Arvinte D4/138
D733,437 S * 7/2015 Sherman D4/135

* cited by examiner

Primary Examiner — Austin Murphy

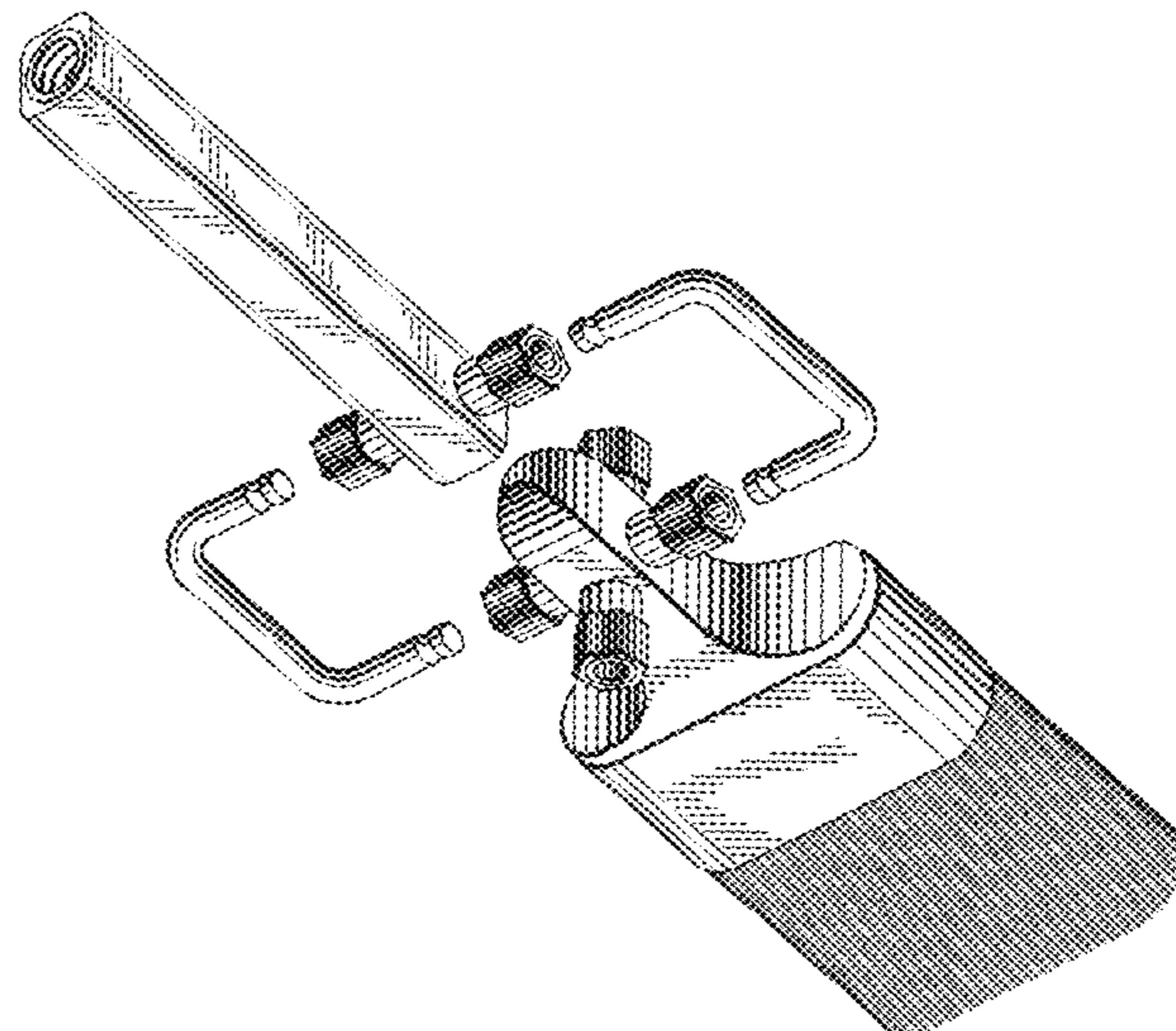
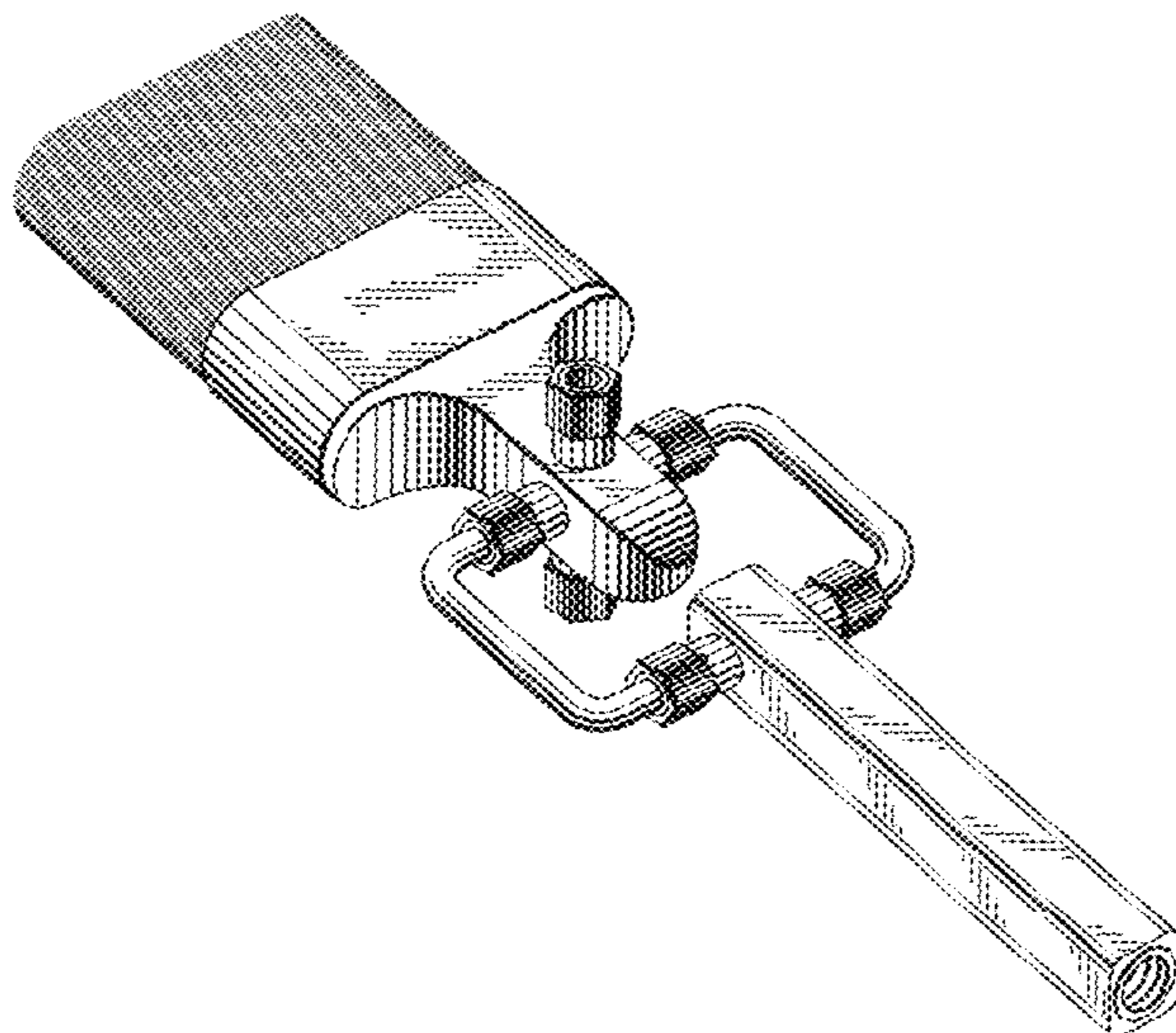
(57) **CLAIM**

I claim the ornamental design for a versatile paint brush, as shown and described.

DESCRIPTION

FIG. 1 is a top and left perspective view of the versatile paint brush;
FIG. 2 is a bottom and right perspective view thereof, showing the handle detached;
FIG. 3 is top view of the versatile paint brush shown in an alternate configuration;
FIG. 4 is a right side view of FIG. 3;
FIG. 5 is bottom view of FIG. 3;
FIG. 6 is a left side view of FIG. 3;
FIG. 7 is a front view of FIG. 3;
FIG. 8 is a rear view of FIG. 3;
FIG. 9 is a bottom and left perspective view of FIG. 3;
FIG. 10 is a bottom and right perspective view of FIG. 3 with the handle shown detached;
FIG. 11 is a top view of FIG. 1;
FIG. 12 is a right side of FIG. 1;
FIG. 13 is a bottom view of FIG. 1;
FIG. 14 is a left side view of FIG. 1;
FIG. 15 is a front view of FIG. 1; and,
FIG. 16 is a rear view of FIG. 1.

1 Claim, 6 Drawing Sheets



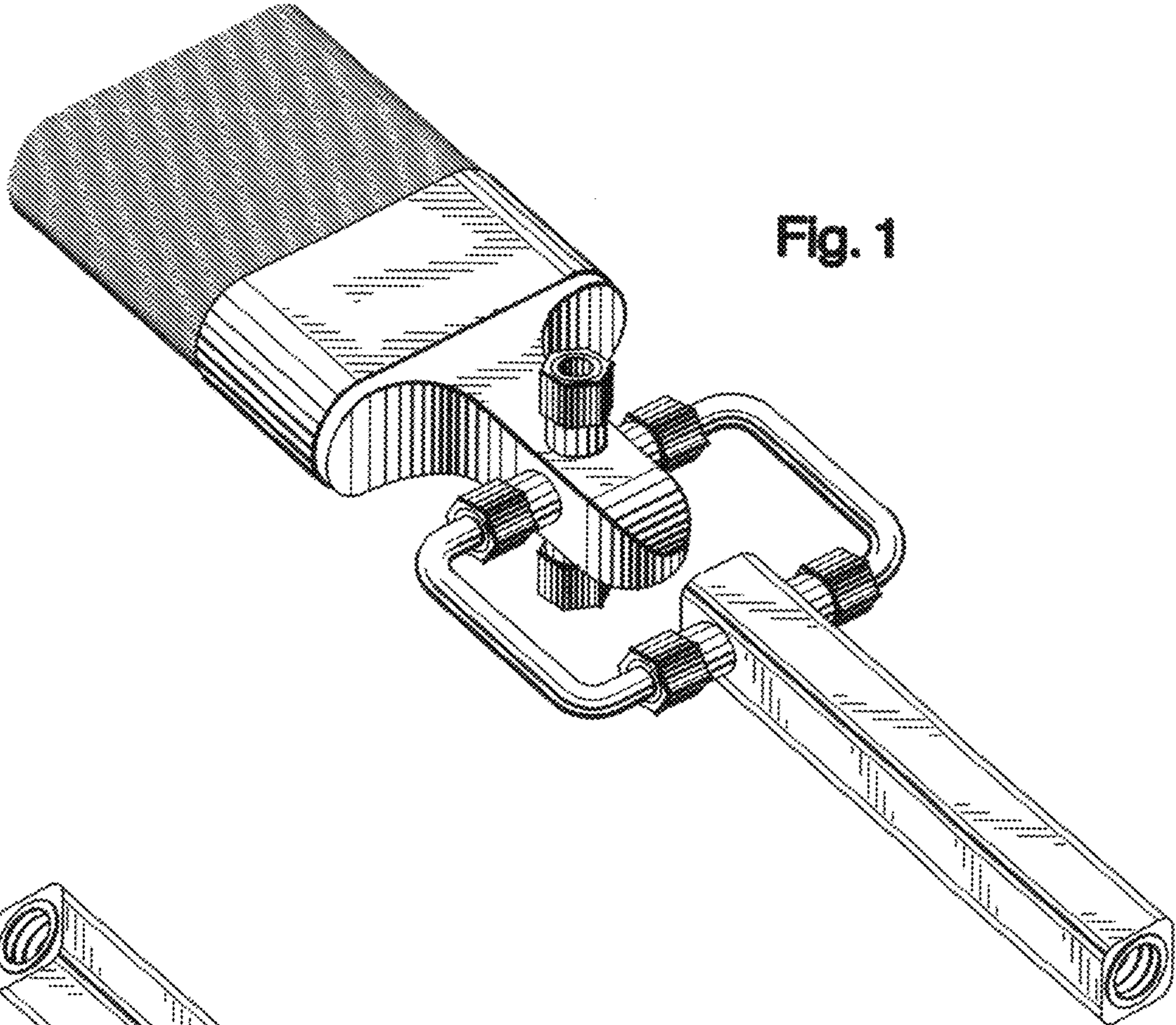


Fig. 1

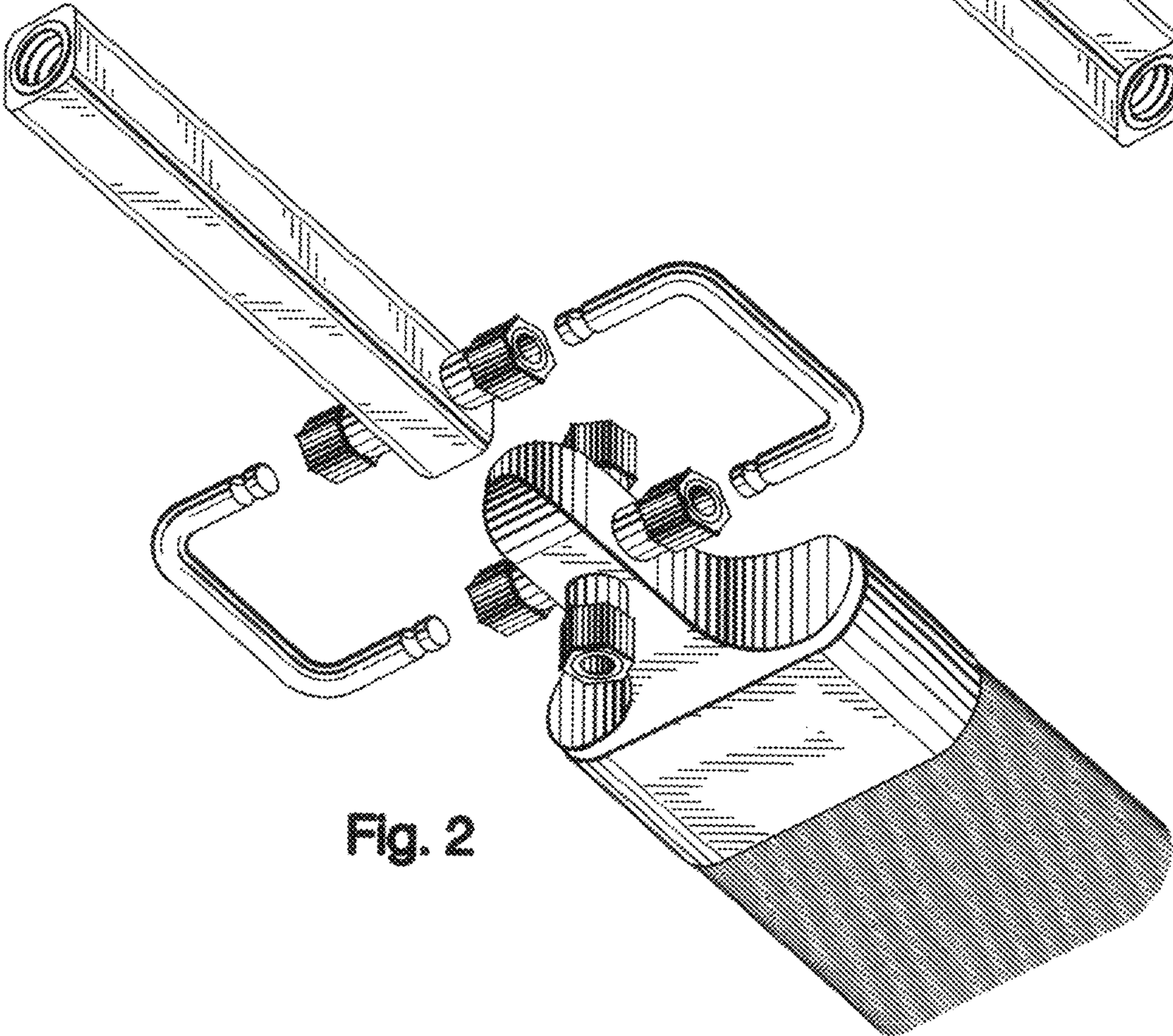


Fig. 2

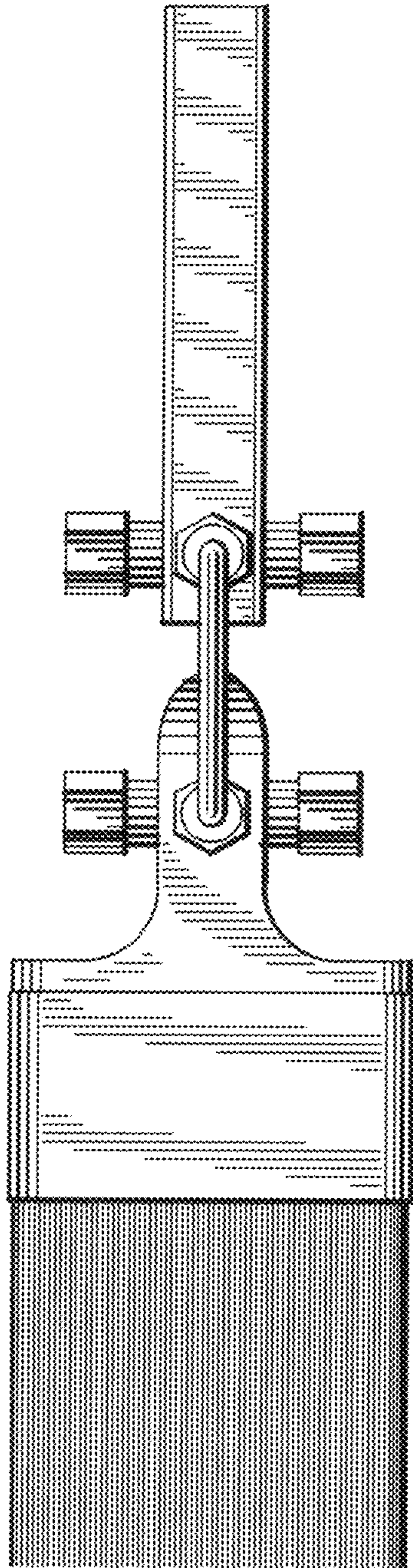


Fig 3

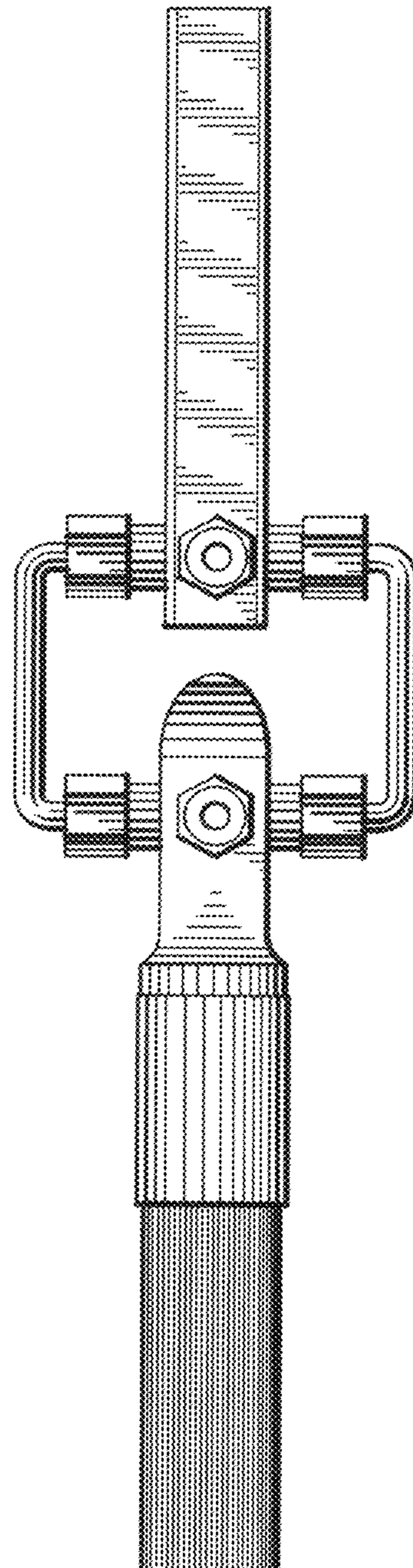


Fig 4

Fig 5

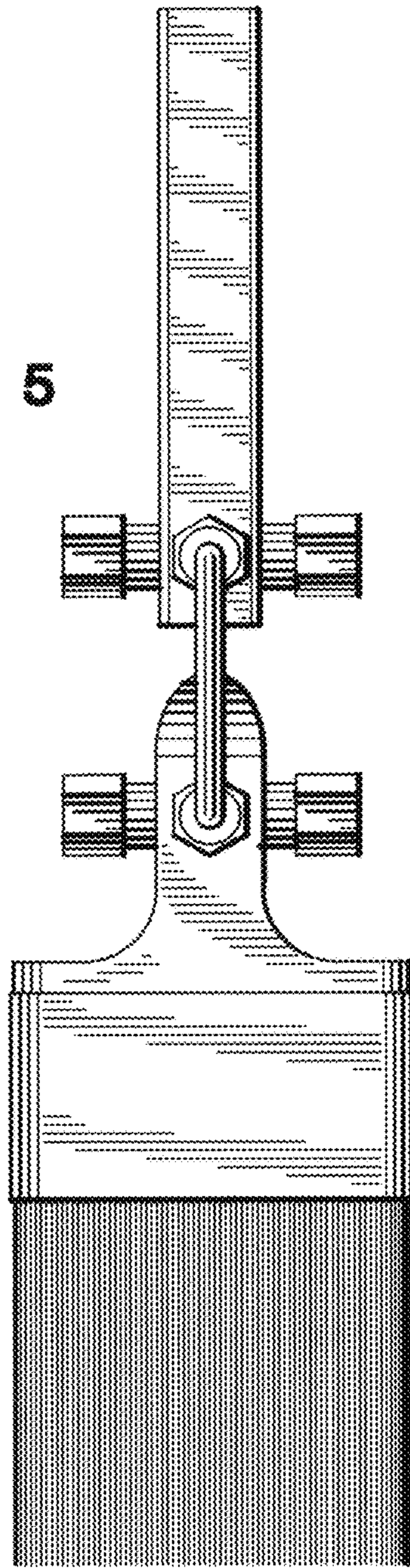


Fig 6

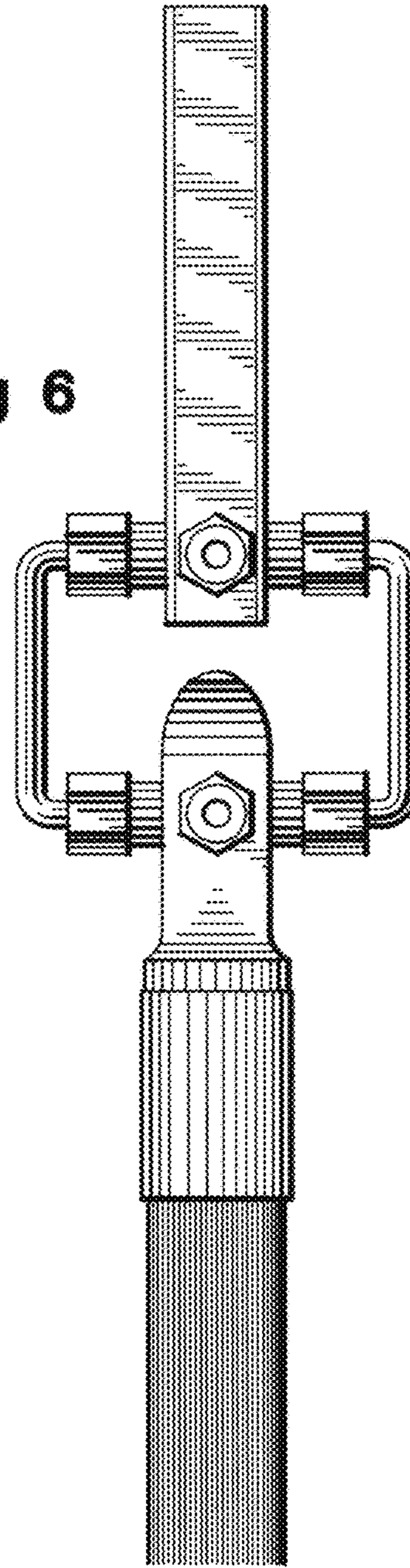


Fig 7

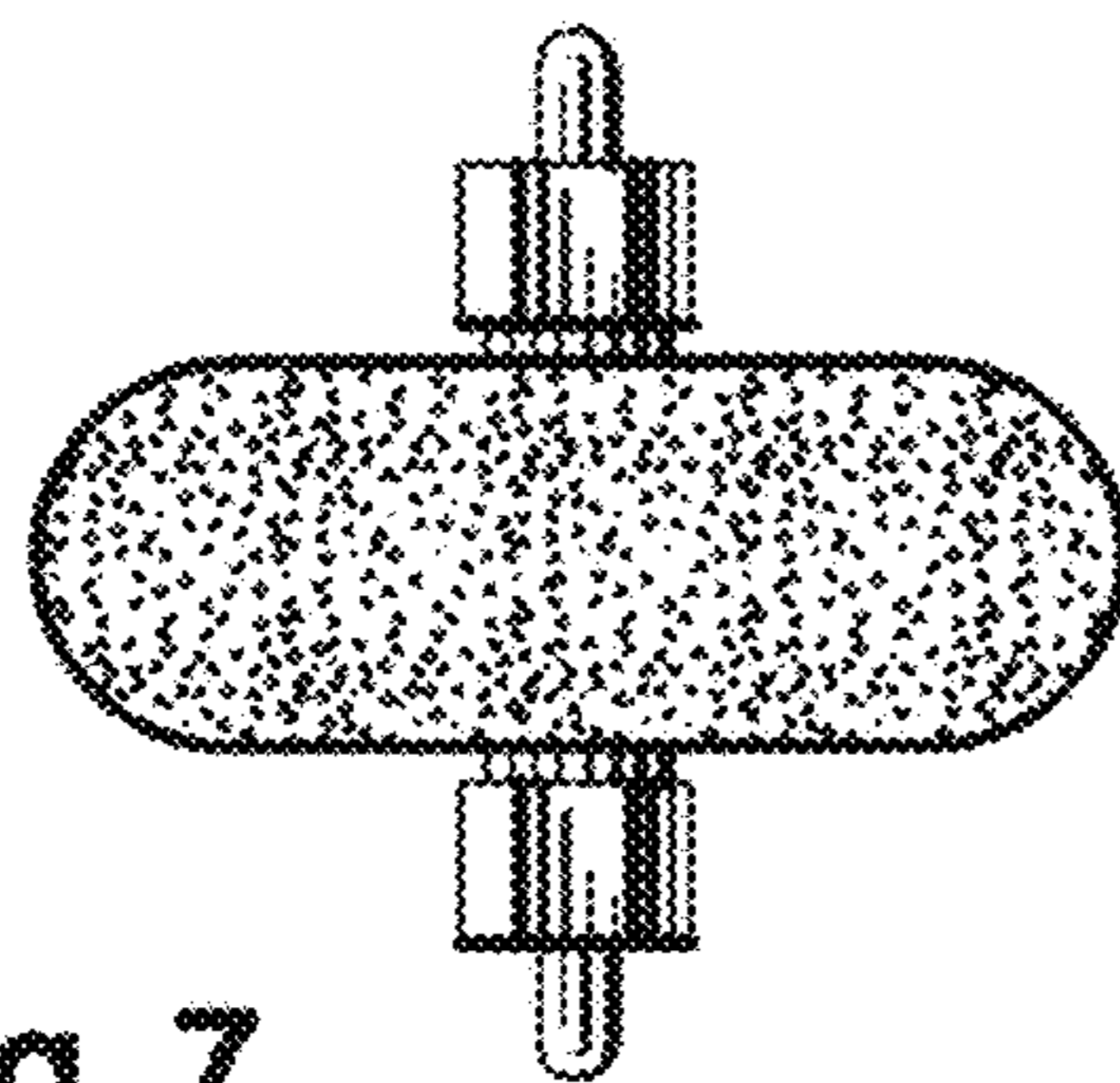
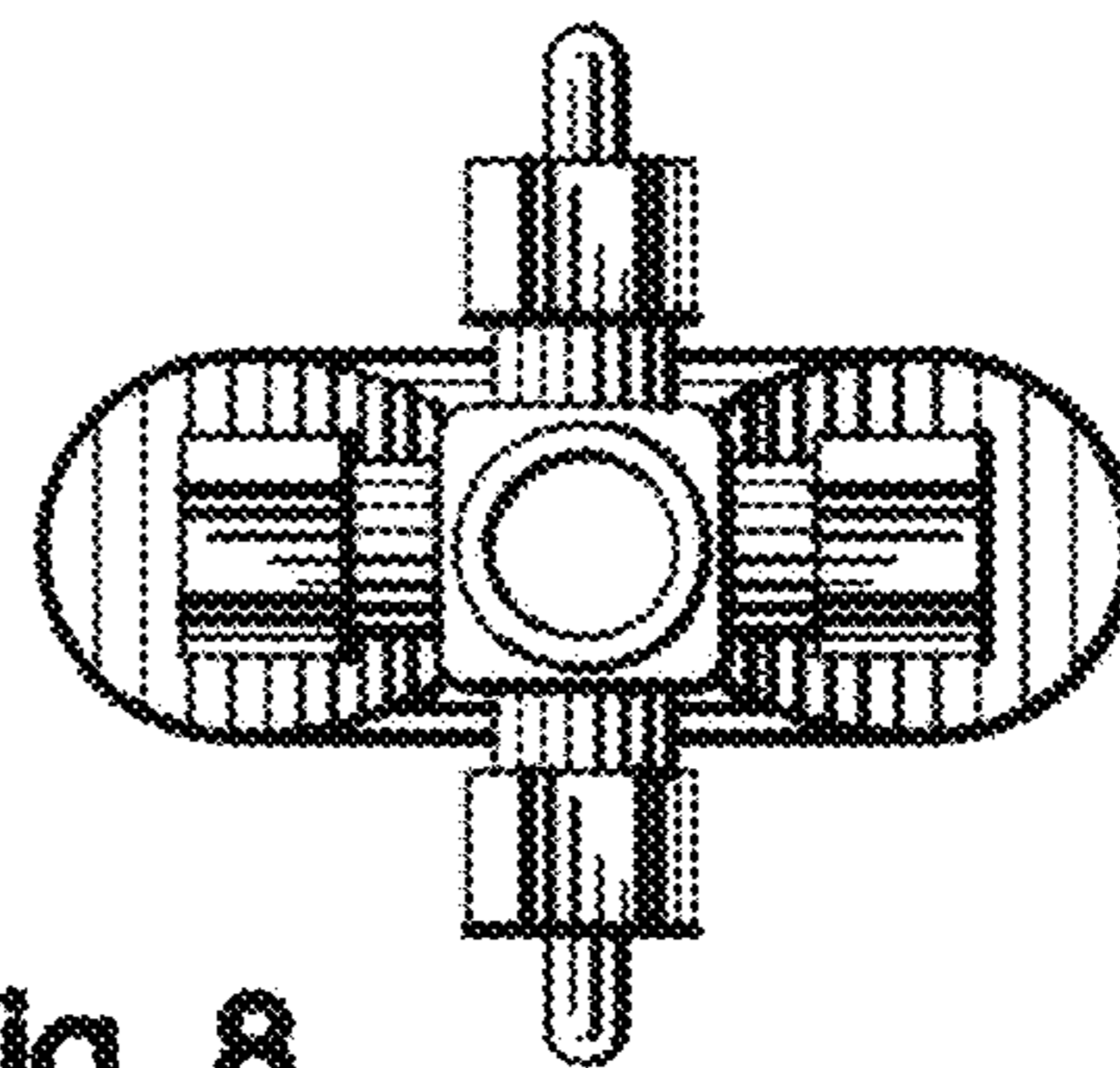
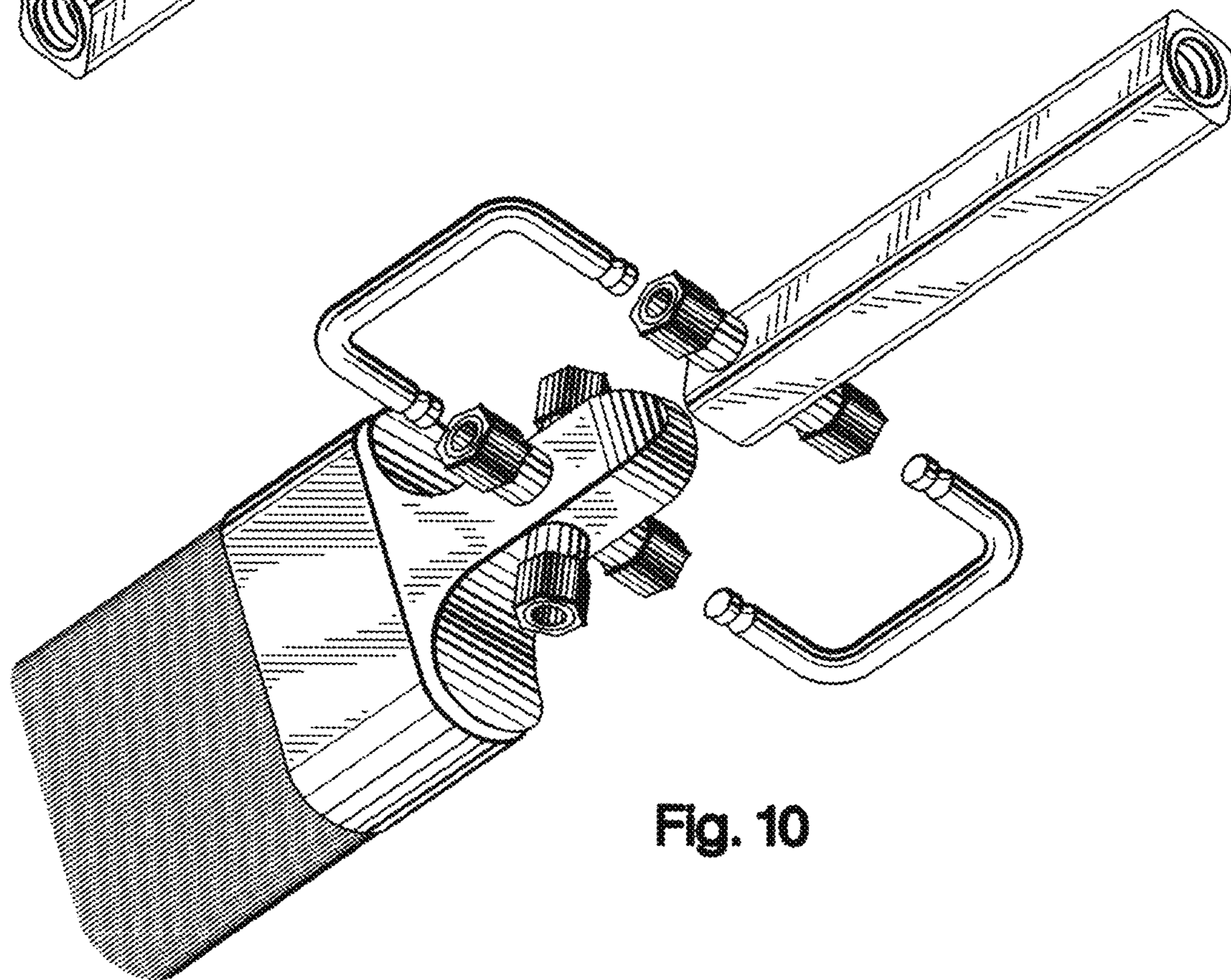
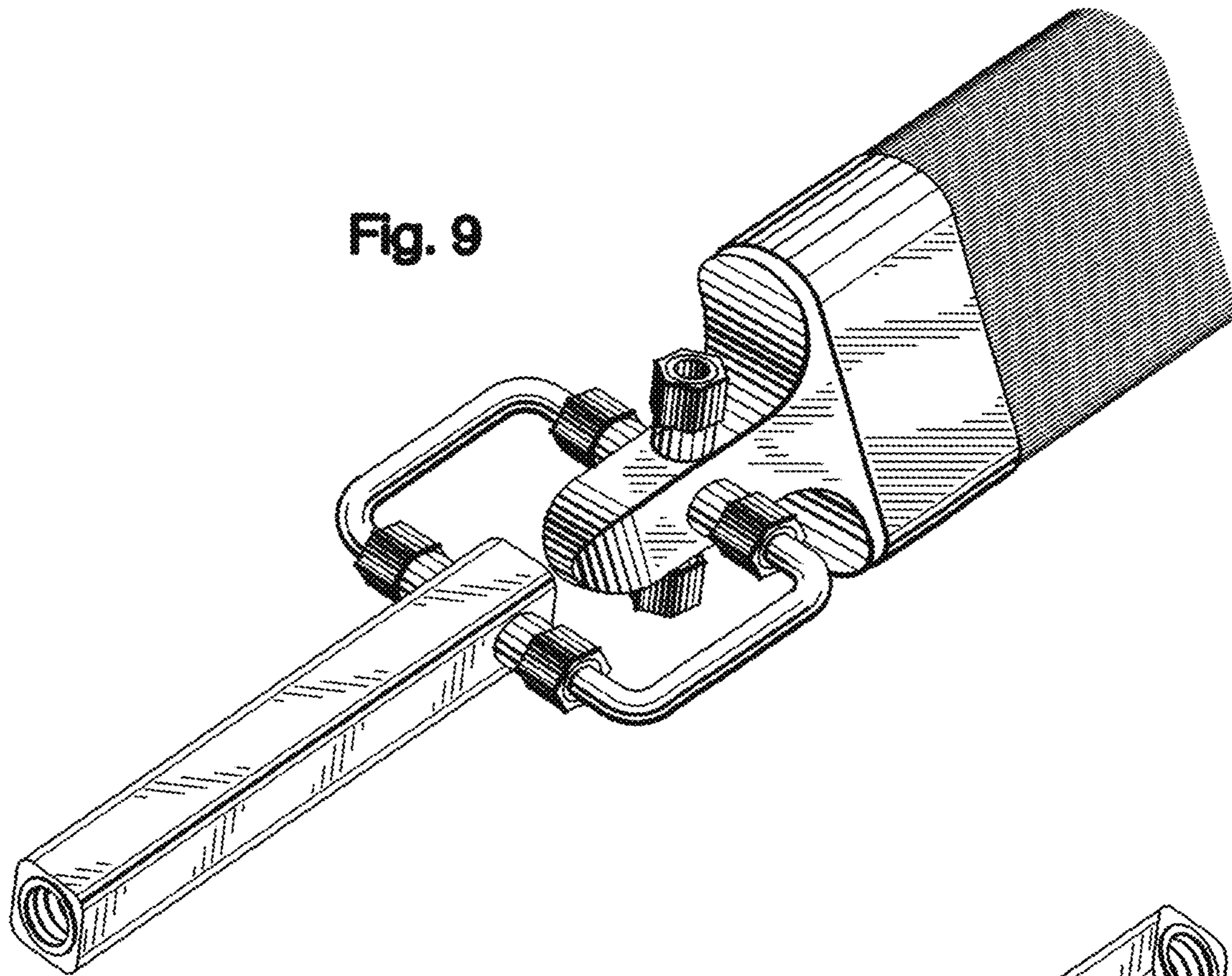


Fig 8





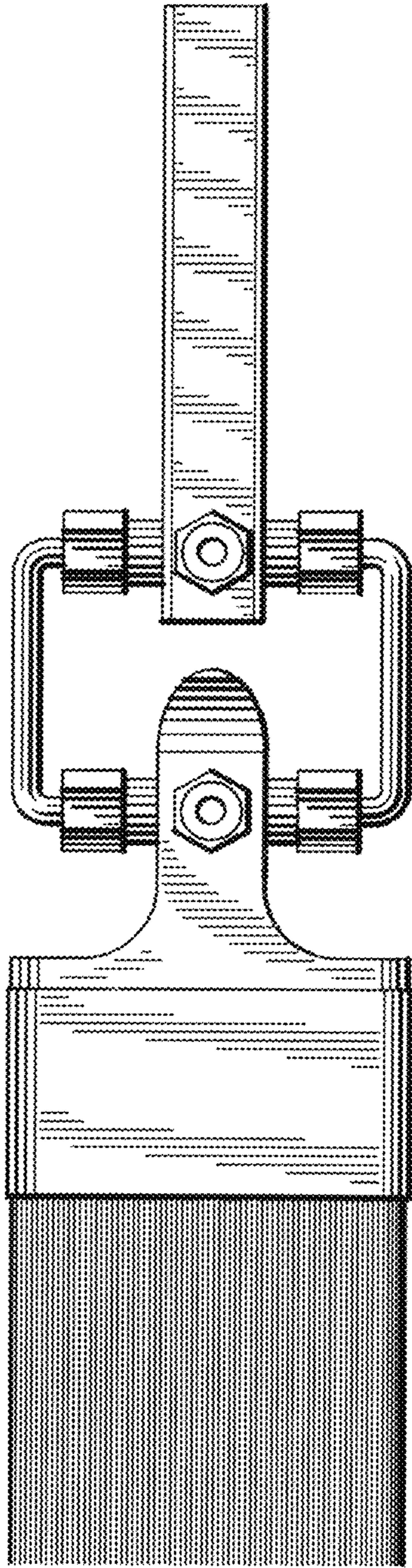


Fig. 11

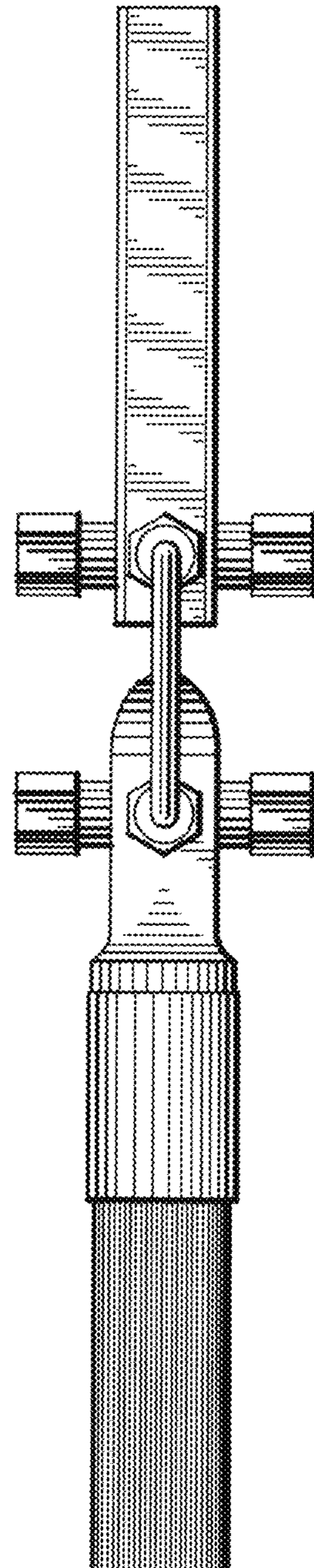


Fig. 12

Fig. 13

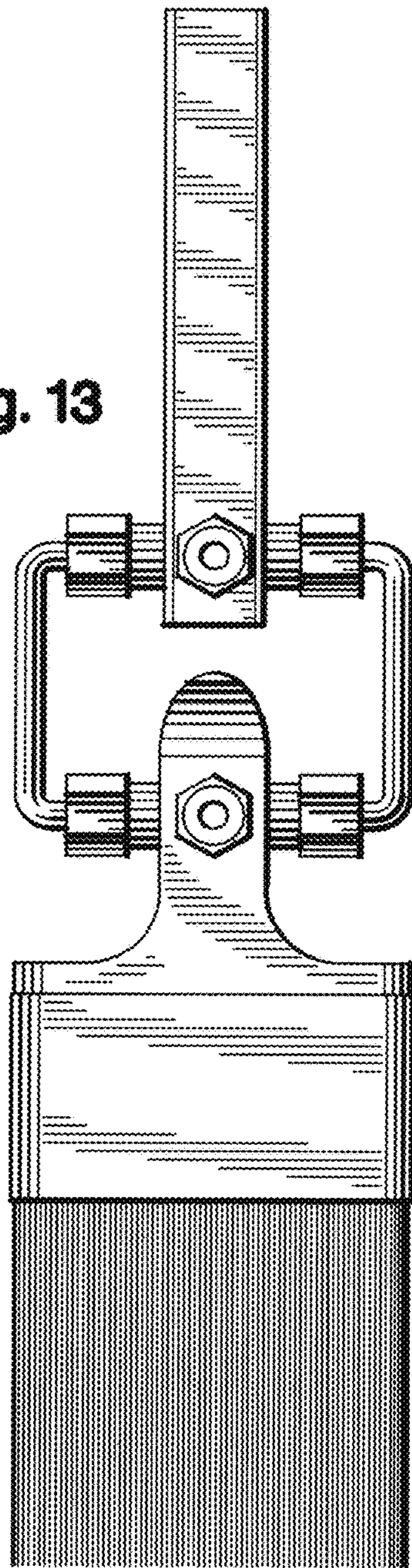


Fig. 14

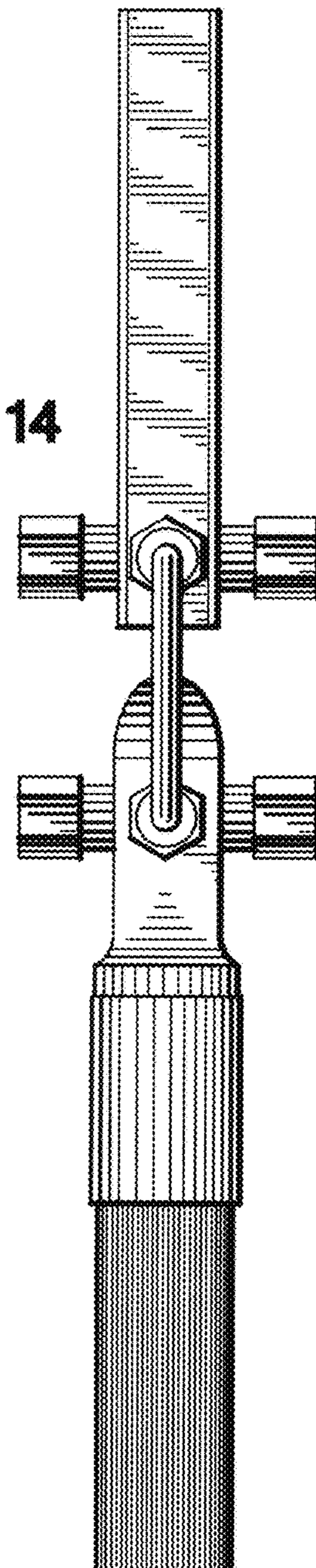


Fig. 15

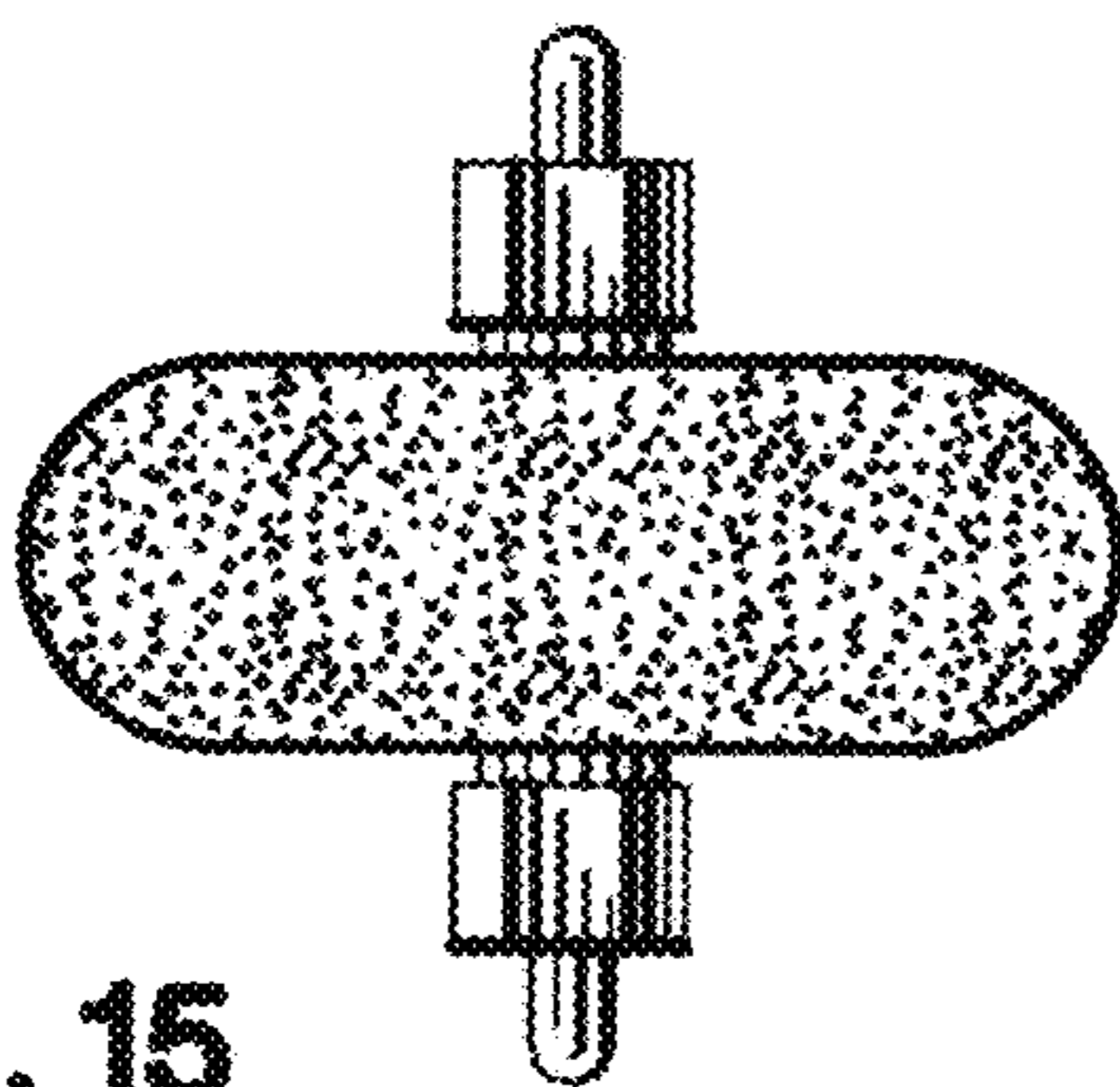


Fig. 16

