



US00D883244S

(12) **United States Design Patent** (10) **Patent No.:** **US D883,244 S**
Kim et al. (45) **Date of Patent:** **** May 5, 2020**

(54) **TELEVISION RECEIVER**

FOREIGN PATENT DOCUMENTS

(71) Applicant: **LG ELECTRONICS INC.**, Seoul (KR)

WO WO D100499-001 * 9/2018
WO WO D100694-001 * 9/2018

(72) Inventors: **Jongho Kim**, Seoul (KR); **Seonkyu Kim**, Seoul (KR); **Minjae Lee**, Seoul (KR)

OTHER PUBLICATIONS

LG's triangular rolling TV stand completely misses the point, Mar. 19, 2019, [online], [site visited Jun. 18, 2019]. Retrieved from url: <https://mspoweruser.com/lgs-triangular-rolling-tv-stand-completely-misses-the-point/> (Year: 2019).*

(73) Assignee: **LG Electronics Inc.**, Seoul (KR)

(**) Term: **15 Years**

Primary Examiner — Jeffrey D Asch
Assistant Examiner — Tracey J Bell

(21) Appl. No.: **35/505,746**

(74) *Attorney, Agent, or Firm* — Birch, Stewart, Kolasch & Birch, LLP

(22) Filed: **Mar. 27, 2018**

(80) **Hague Agreement Data**

(57) **CLAIM**

Int. Filing Date: **Mar. 27, 2018**
Int. Reg. No.: **DM/100694**
Int. Reg. Date: **Mar. 27, 2018**
Int. Reg. Pub. Date: **Sep. 28, 2018**

The ornamental design for a television receiver, as shown and described.

(30) **Foreign Application Priority Data**

DESCRIPTION

Sep. 29, 2017 (KR) 30-2017-0046360

(51) **LOC (12) Cl.** **14-03**

(52) **U.S. Cl.**
USPC **D14/129; D14/126; D14/214**

(58) **Field of Classification Search**
USPC **D14/125, 126, 129, 229, 371, 432, 496, D14/127-128, 130-134, 204, 210, 214,**
(Continued)

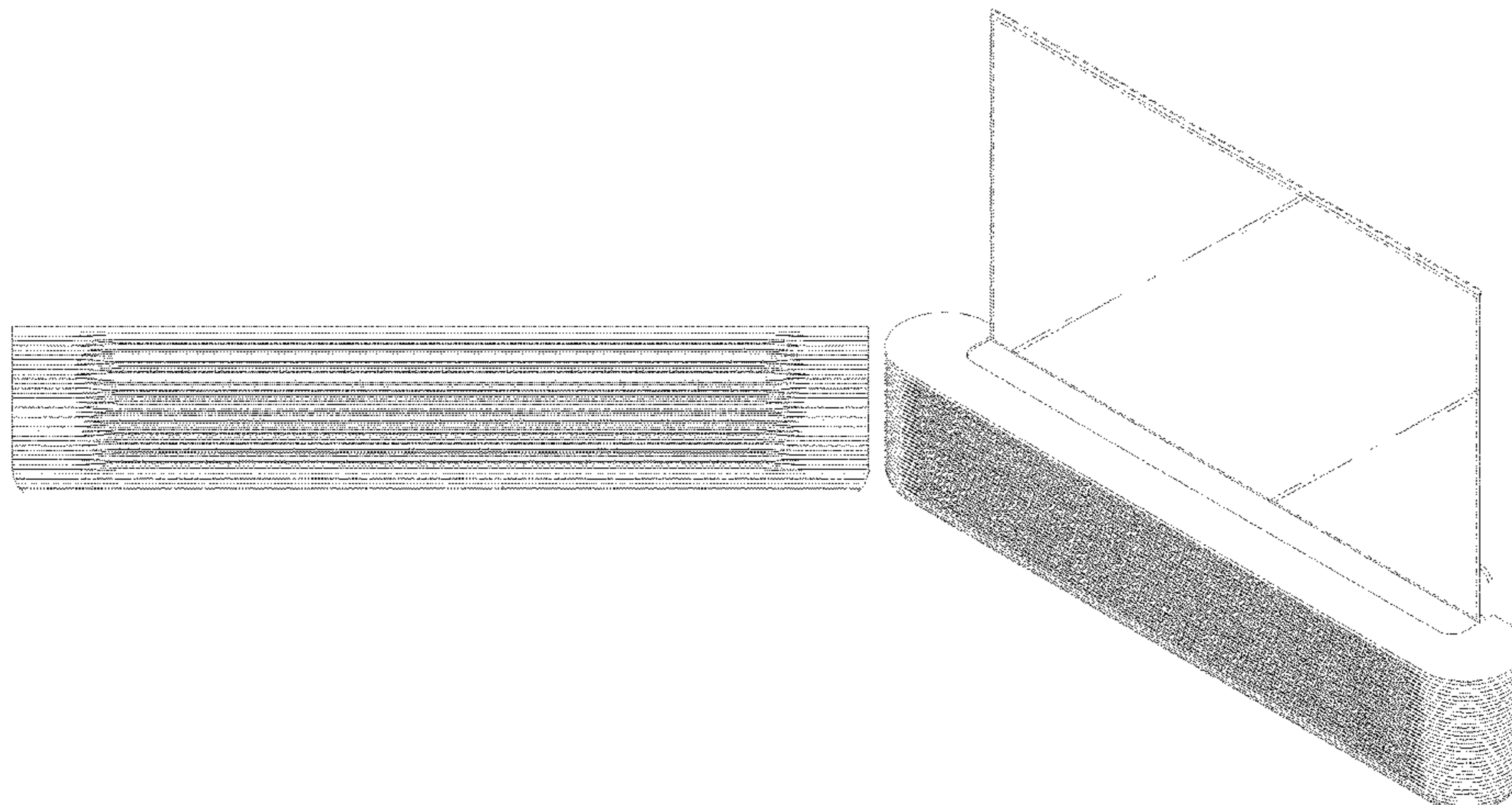
- 1. Television receiver
- 1.1 : Perspective
- 1.2 : Front
- 1.3 : Back
- 1.4 : Left
- 1.5 : Top
- 1.6 : Bottom
- 1.7 : Perspective view 2
- 1.8 : Front view 2
- 1.9 : Back view 2
- 1.10 : Left view 2
- 1.11 : Top view 2
- 1.12 : Bottom view 2
- 1.13 : Perspective view 3

(56) **References Cited**

U.S. PATENT DOCUMENTS

D641,343 S * 7/2011 Kim D14/240
D658,632 S * 5/2012 Kroyer D14/214
(Continued)

The broken lines depict portions of the television receiver that form no part of the claimed design; reproduction 1.1 is a front perspective view of the television receiver shown in a closed position; reproductions 1.2 to 1.6 are the front, back, left, top and bottom view of reproduction 1.1; reproduction 1.7 is a front perspective view of the television receiver with the top cover shown in an open position and
(Continued)



the flexible display extended; reproductions **1.8** to **1.12** are the front, back, left, top and bottom view of reproduction **1.7**; reproduction **1.13** is a perspective view showing the television receiver with the top cover in an open position and the flexible display screen in a partially extended position.

1 Claim, 13 Drawing Sheets

(58) Field of Classification Search

USPC D14/239, 314–316, 322, 326, 334–336,
 D14/339–341, 373–374, 448, 450;
 D21/329, 332, 515; D16/241
 CPC G06F 1/16; G06F 1/1601; G06F 1/1637;
 G06F 1/1652; H04N 5/64; H05K 5/0204;
 H05K 5/0017; H05K 5/0217; H04M
 1/0268

See application file for complete search history.

(56)

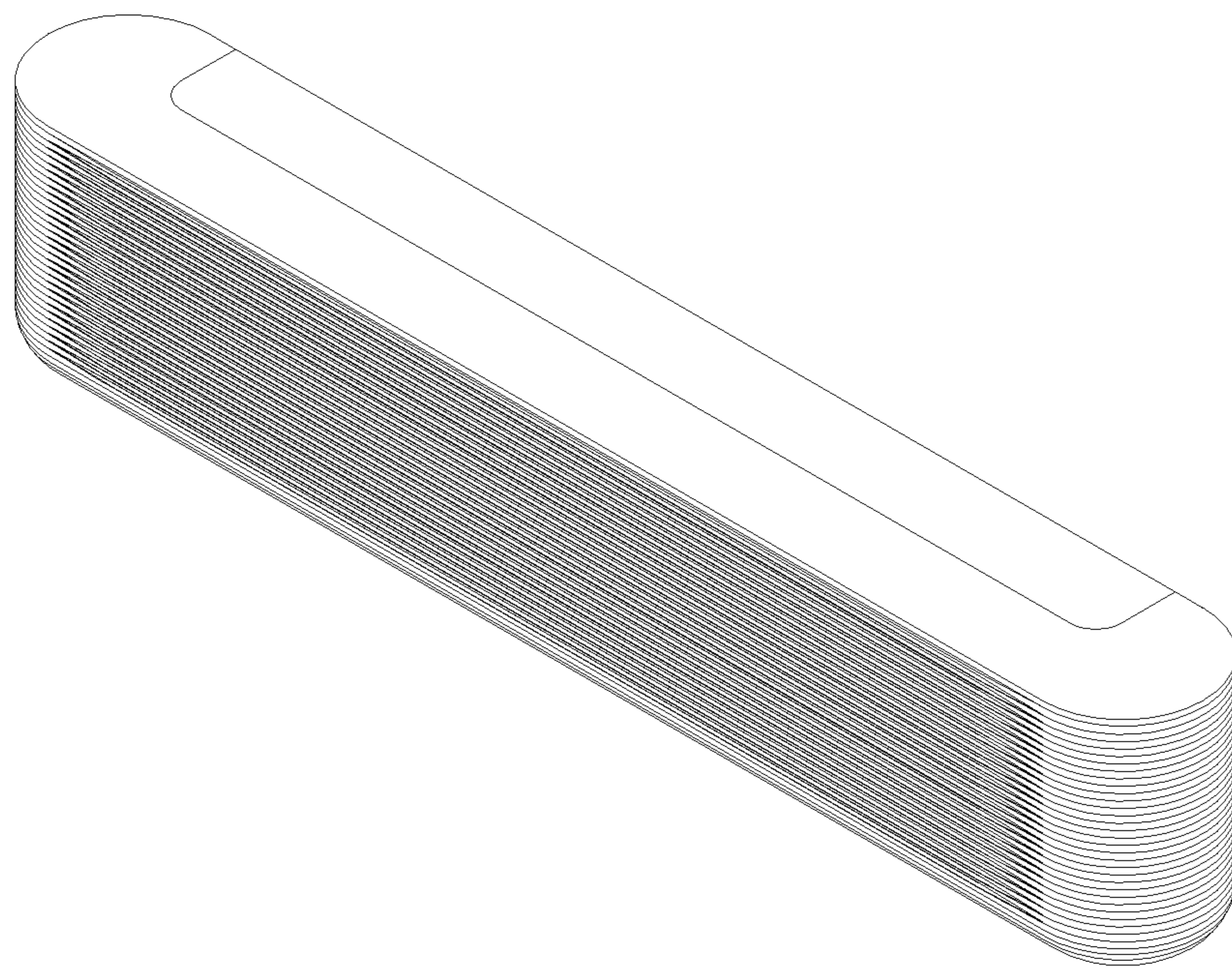
References Cited

U.S. PATENT DOCUMENTS

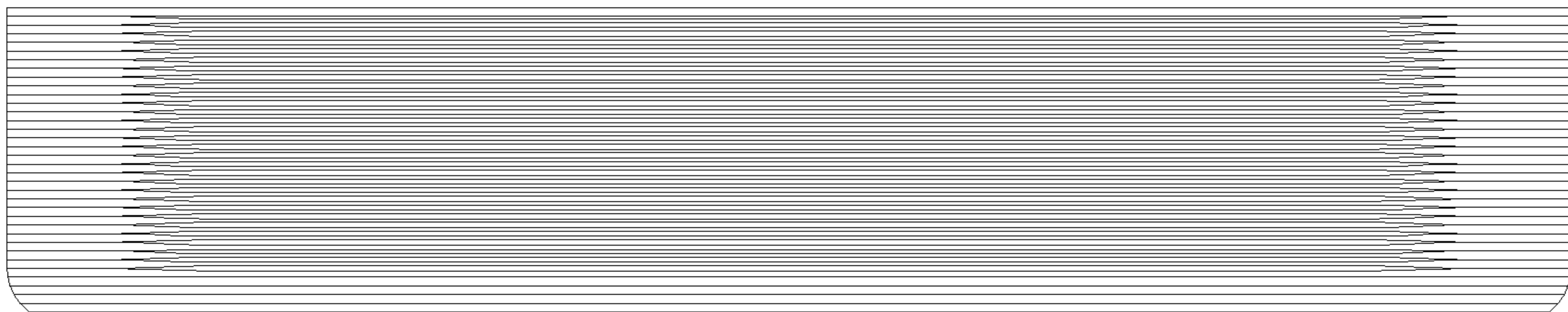
| | | | | | | |
|--------------|----|---|---------|-----------|-------|-------------|
| D743,940 | S | * | 11/2015 | Yang | | D14/214 |
| D772,832 | S | * | 11/2016 | Han | | D14/126 |
| D802,549 | S | * | 11/2017 | Kim | | D14/126 |
| D806,679 | S | * | 1/2018 | Demin | | D14/214 |
| D807,844 | S | * | 1/2018 | Kim | | D14/126 |
| D809,481 | S | * | 2/2018 | McManigal | | D14/216 |
| D812,028 | S | * | 3/2018 | Kim | | D14/126 |
| D813,832 | S | * | 3/2018 | Kim | | D14/126 |
| D819,001 | S | * | 5/2018 | Lee | | D14/240 |
| D836,577 | S | * | 12/2018 | Kim | | D14/125 |
| D847,811 | S | * | 5/2019 | Shim | | D14/356 |
| 2018/0070466 | A1 | * | 3/2018 | Kim | | G06F 1/1601 |
| 2019/0064883 | A1 | * | 2/2019 | Hong | | G06F 1/1652 |
| 2019/0138058 | A1 | * | 5/2019 | Kwon | | G06F 1/1652 |

* cited by examiner

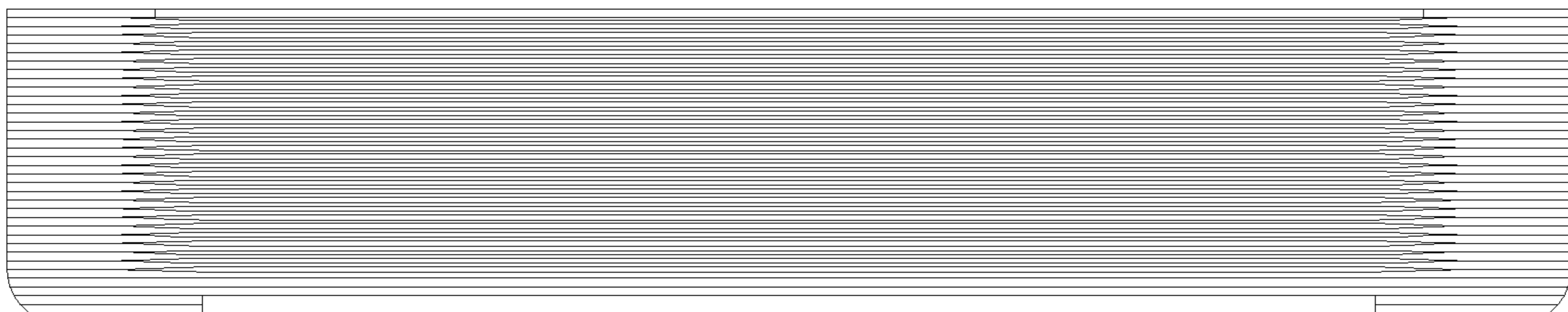
1.1



1.2



1.3



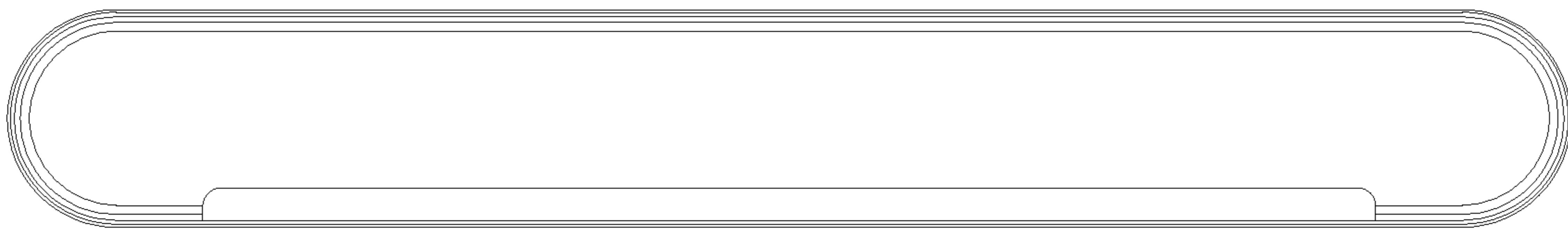
1.4



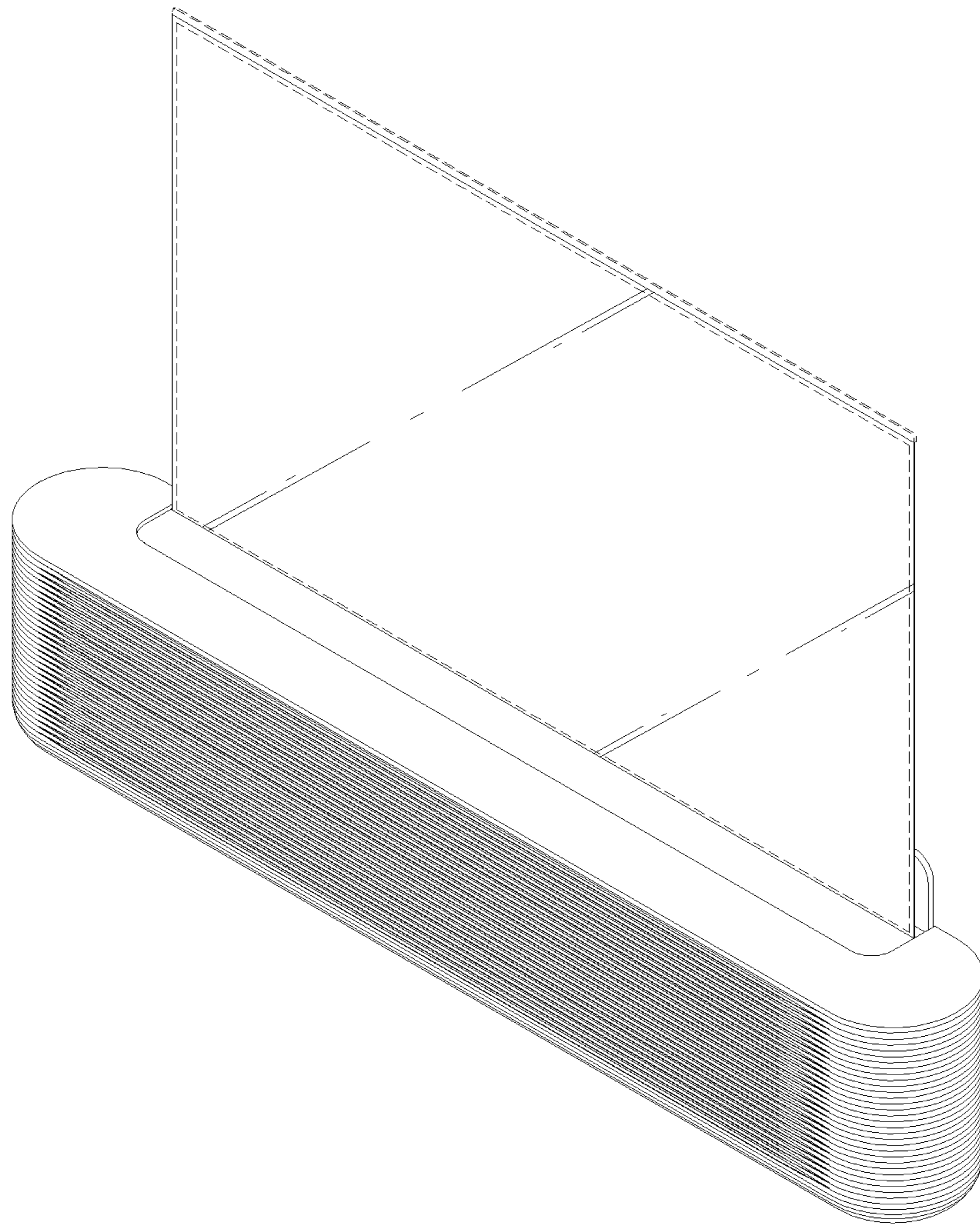
1.5



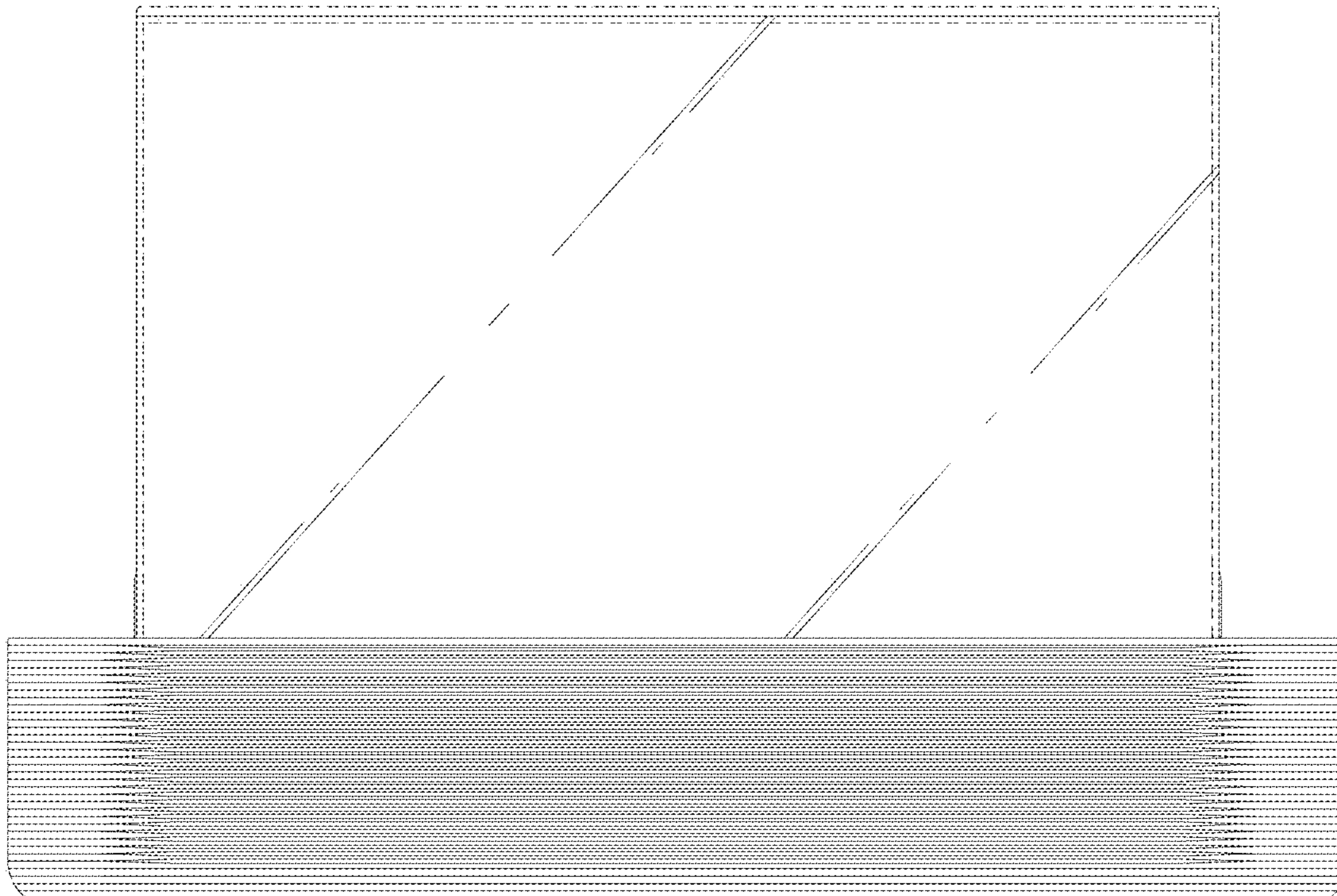
1.6



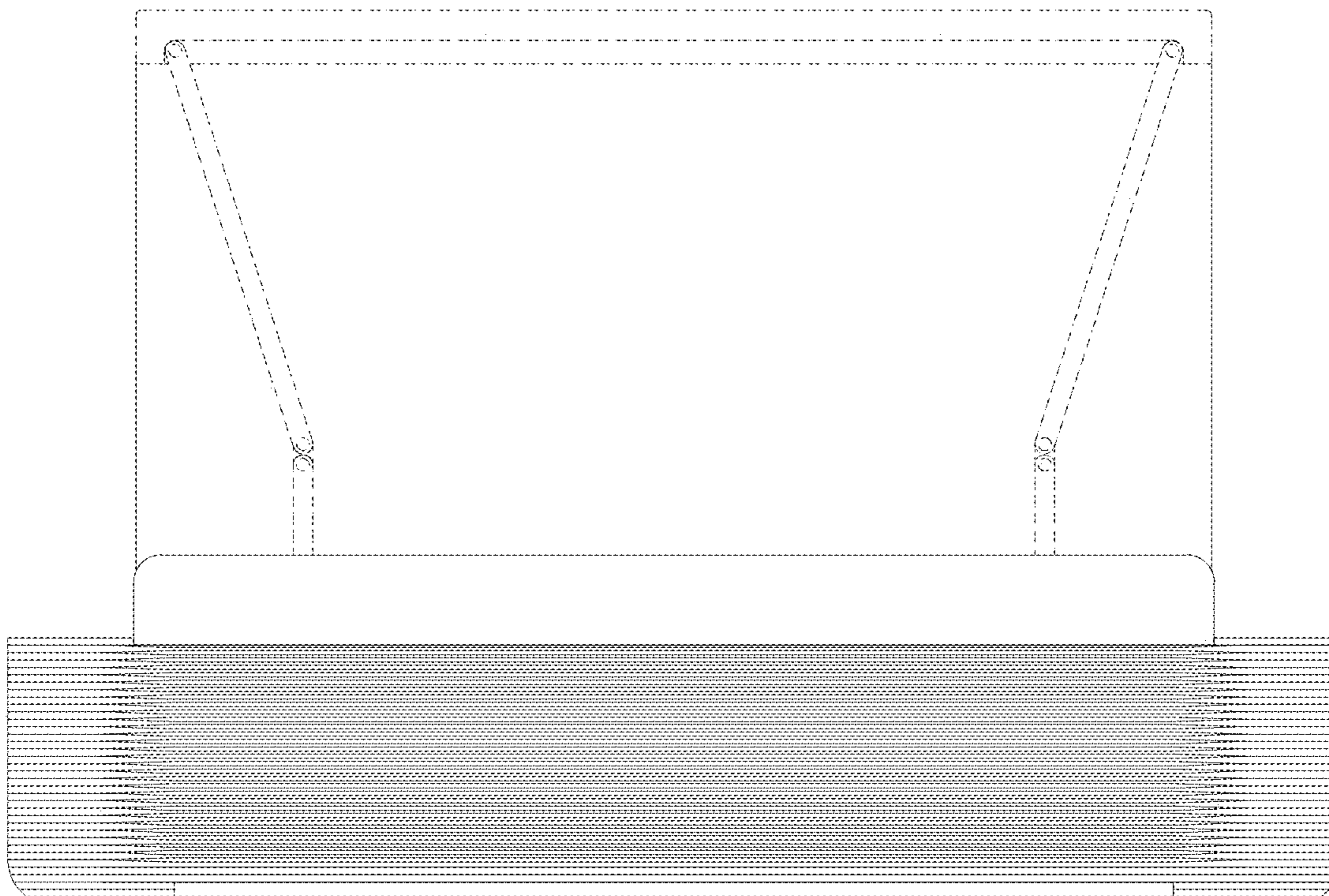
1.7



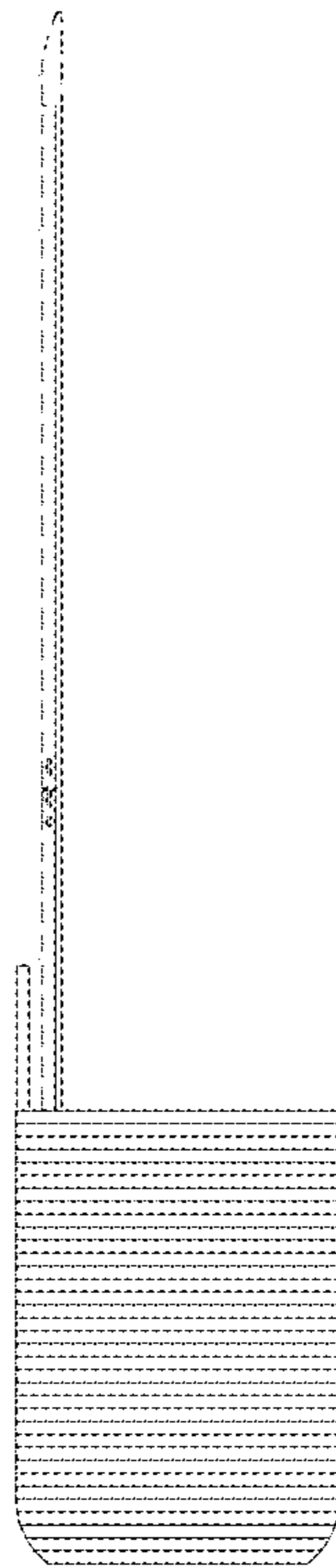
1.8



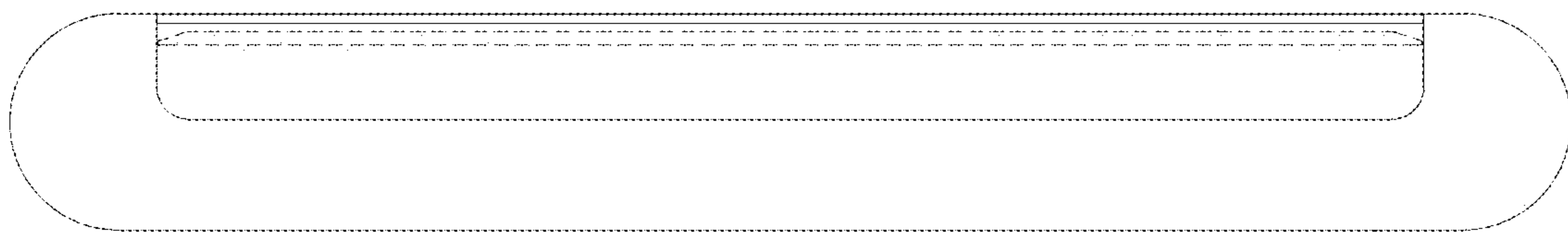
1.9



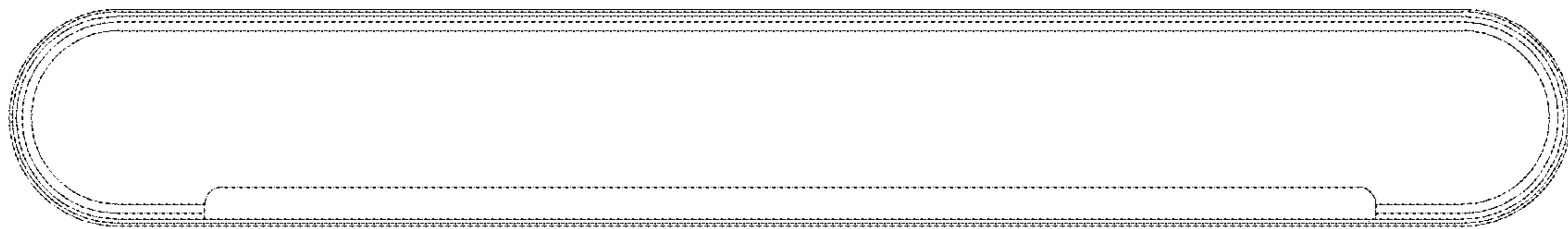
1.10



1.11



1.12



1.13

