



US00D883243S

(12) **United States Design Patent**
Kim et al.

(10) **Patent No.:** **US D883,243 S**

(45) **Date of Patent:** **** May 5, 2020**

(54) **TELEVISION RECEIVER**

(71) Applicant: **LG Electronics Inc.**, Seoul (KR)

(72) Inventors: **Byungsoo Kim**, Seoul (KR); **Seongahn Jeon**, Seoul (KR); **Sangho Lee**, Seoul (KR); **Hyuntae Ahn**, Seoul (KR); **Sanggi Kim**, Seoul (KR)

(73) Assignee: **LG Electronics Inc.**, Seoul (KR)

(**) Term: **15 Years**

(21) Appl. No.: **29/641,951**

(22) Filed: **Mar. 26, 2018**

Related U.S. Application Data

(63) Continuation of application No. 35/501,314, filed on Feb. 3, 2016 (U.S. filing date under 35 U.S.C. 384), and having an international filing date of Feb. 3, 2016, now abandoned.

(30) **Foreign Application Priority Data**

Aug. 5, 2015 (KR) 30-2015-0039657

(51) **LOC (12) Cl.** **14-03**

(52) **U.S. Cl.**
USPC **D14/126**

(58) **Field of Classification Search**
USPC D14/126; D12/163
See application file for complete search history.

(56) **References Cited**

U.S. PATENT DOCUMENTS

D161,544 S 1/1951 Sheard
D525,177 S 7/2006 Kitazumi

D561,654 S 2/2008 Platto et al.
D661,230 S 6/2012 Zheng et al.
D677,637 S * 3/2013 Kubota D14/126
D737,234 S * 8/2015 Kim D14/126
D740,723 S 10/2015 Sugiura
D761,222 S * 7/2016 Yoo D14/126
D783,553 S 4/2017 Kim et al.
D786,842 S 5/2017 Lee et al.
D807,846 S * 1/2018 Kim D14/126

* cited by examiner

Primary Examiner — George D. Kirschbaum

(74) *Attorney, Agent, or Firm* — Birch, Stewart, Kolasch & Birch, LLP

(57) **CLAIM**

The ornamental design for a television receiver, as shown and described.

DESCRIPTION

FIG. 1 is a front, right, top perspective view of the television receiver showing our new design;
FIG. 2 is a front view thereof;
FIG. 3 is a rear view thereof;
FIG. 4 is a left side view thereof;
FIG. 5 is a right side view thereof;
FIG. 6 is a top plan view thereof;
FIG. 7 is a bottom view thereof; and,
FIG. 8 is a rear, left, top perspective view thereof.

The evenly-spaced broken line showing in the figures is for the purpose of illustrating portions of the television receiver that form no part of the claimed design. The dash-dot-dash line indicates the boundary of the claimed design.

1 Claim, 5 Drawing Sheets

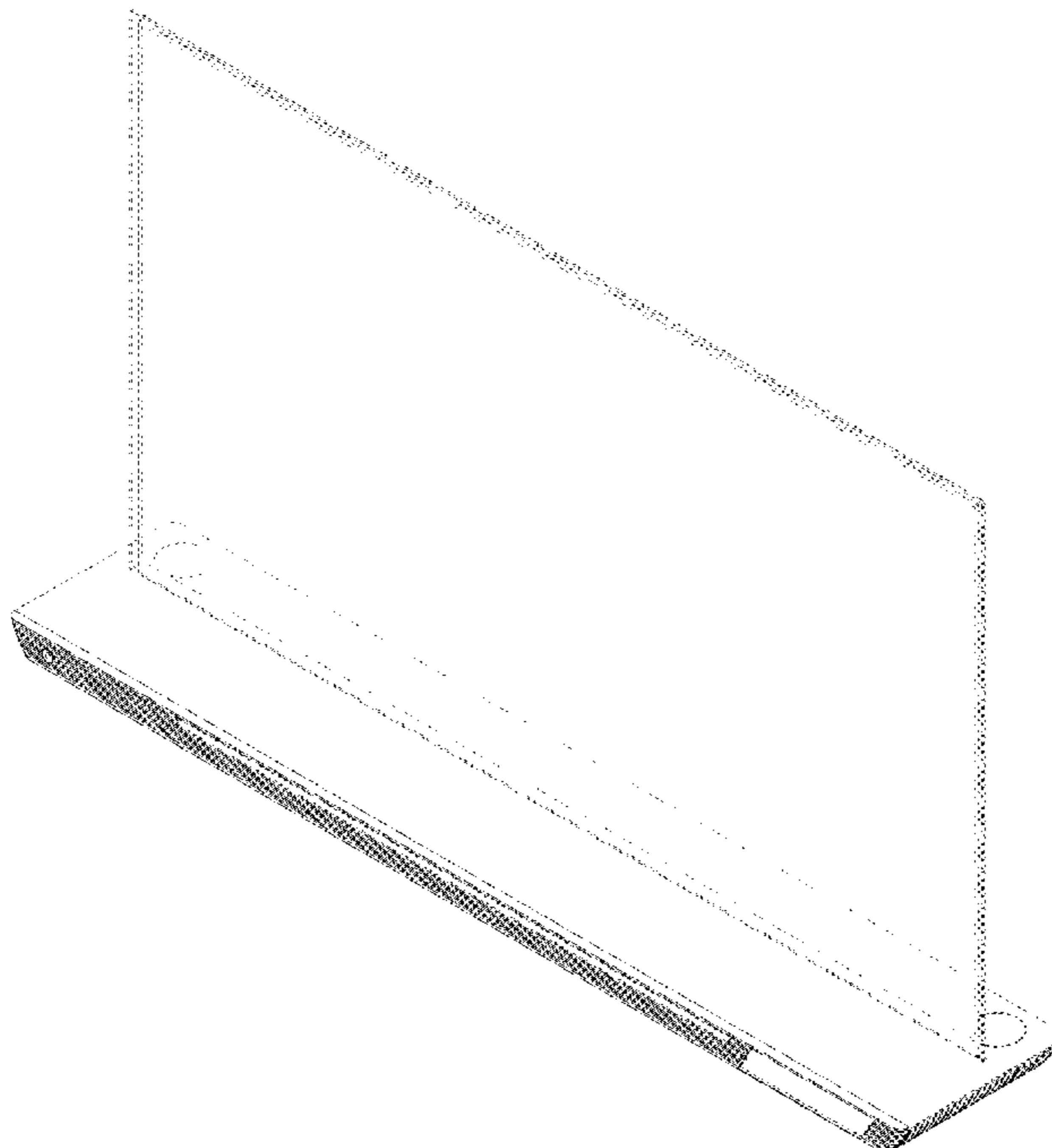


FIG. 1

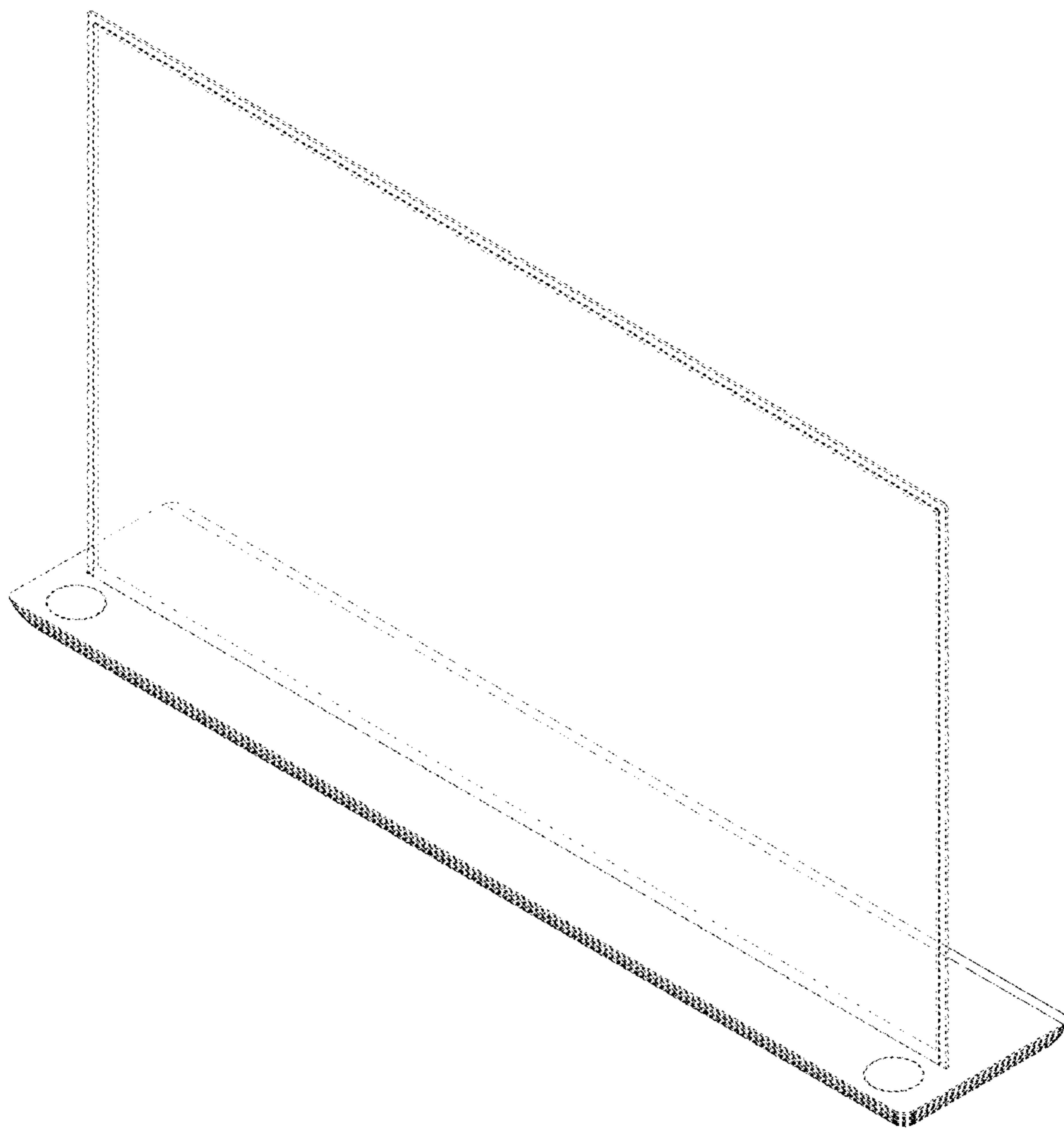


FIG. 2

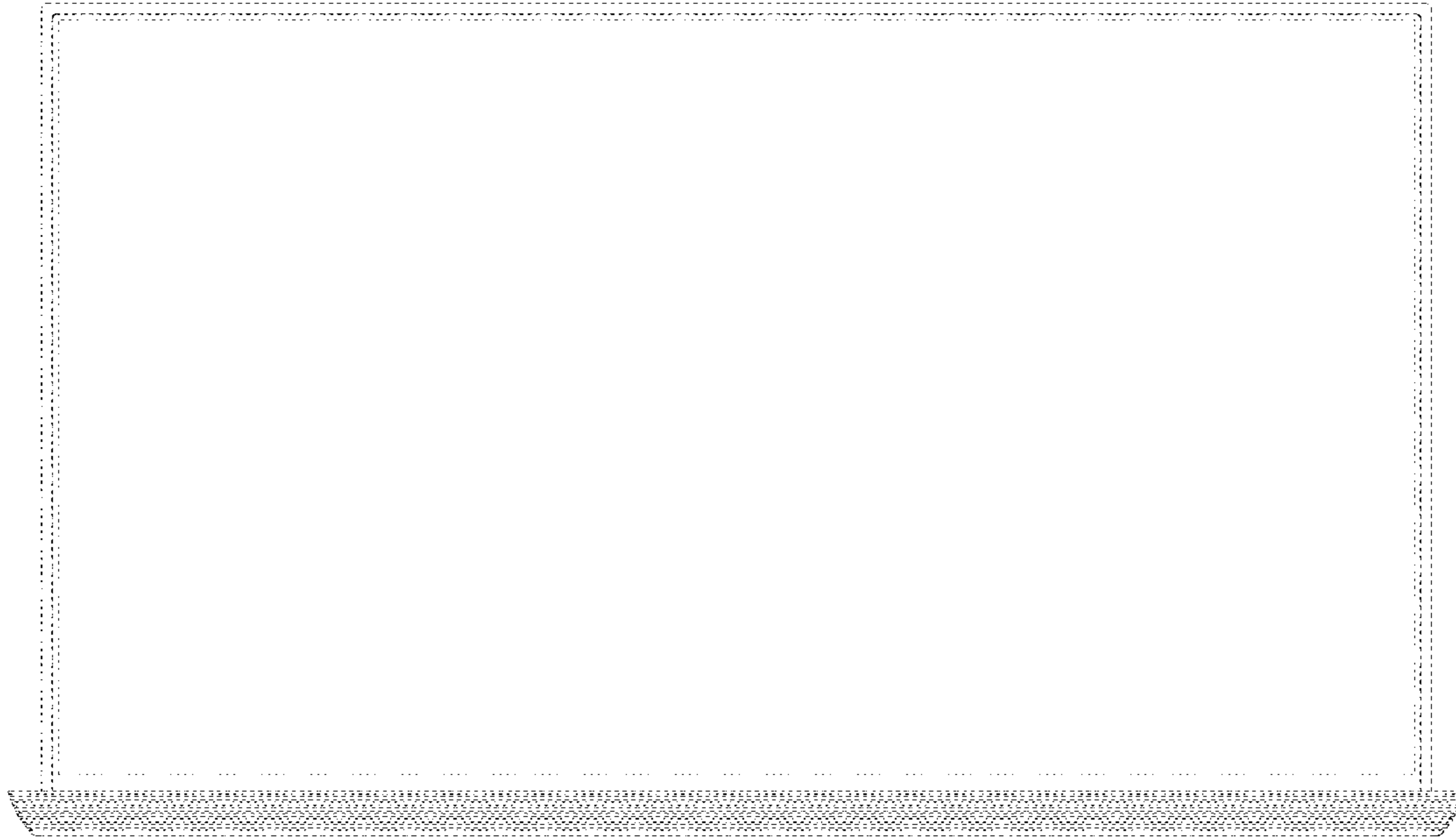


FIG. 3

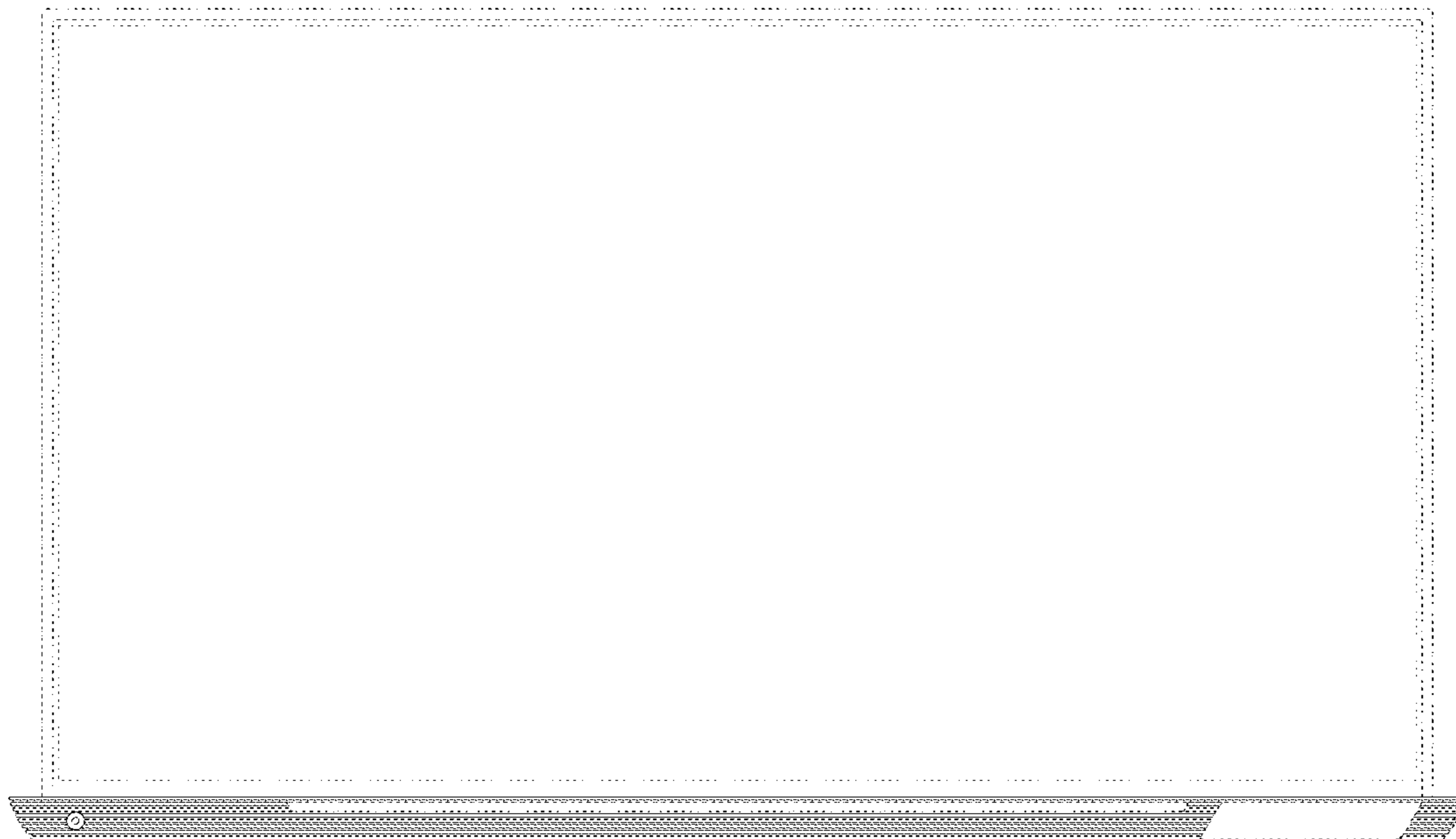


FIG. 4

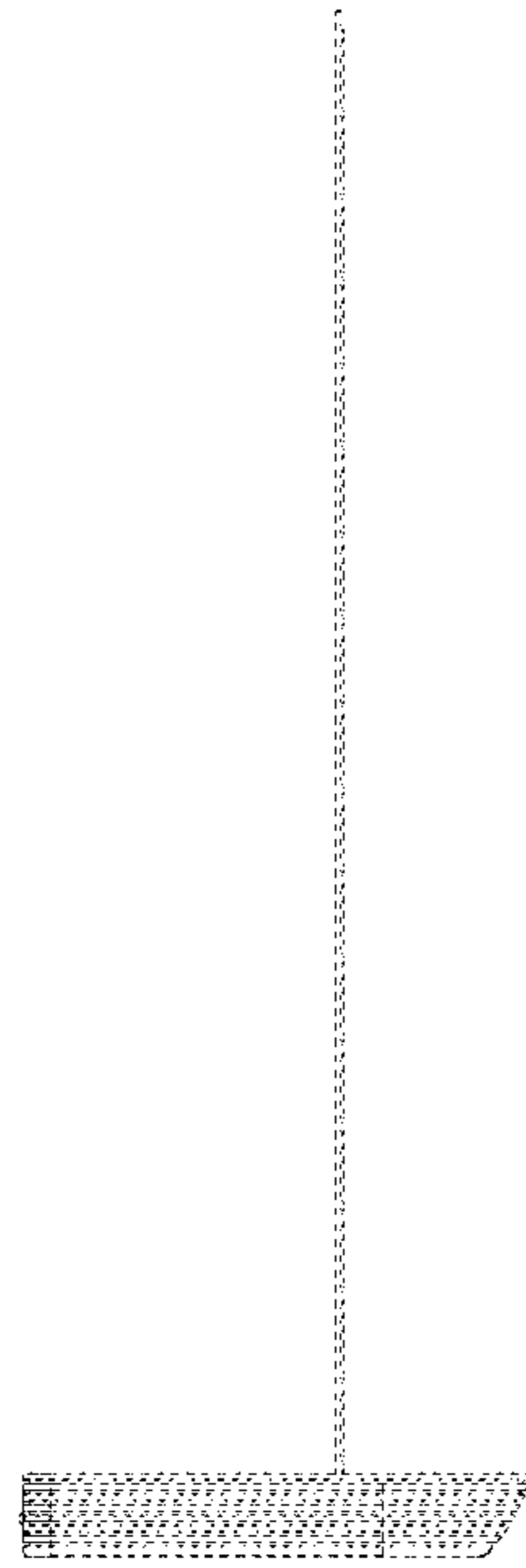


FIG. 5

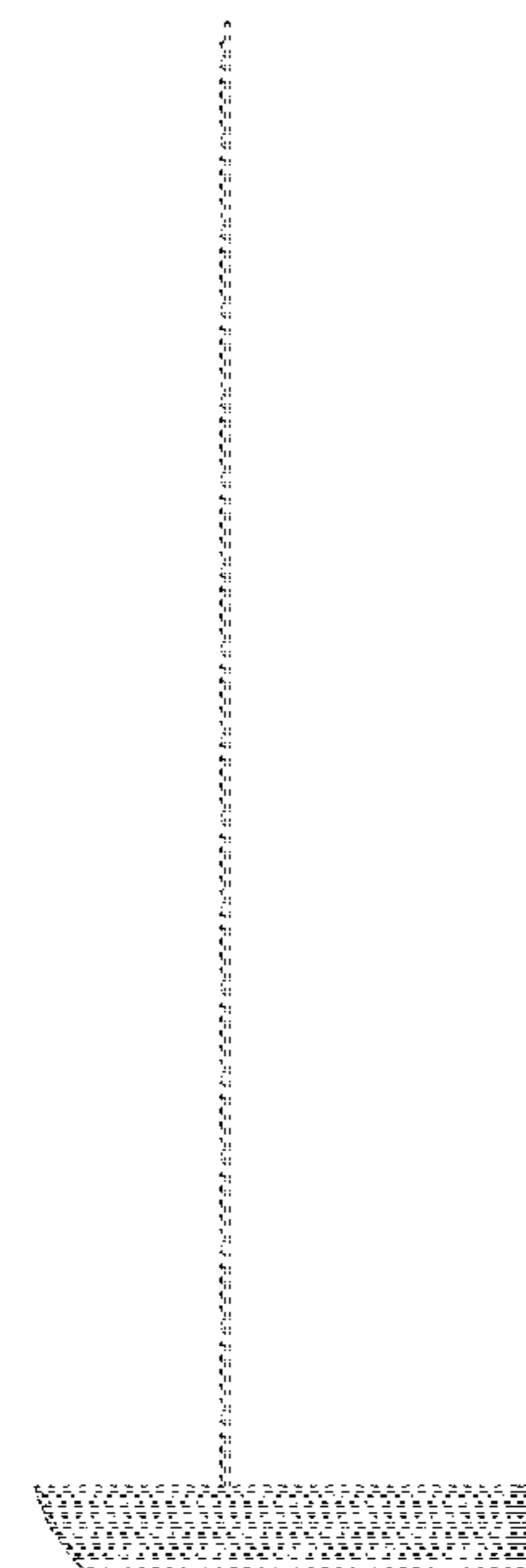


FIG. 6

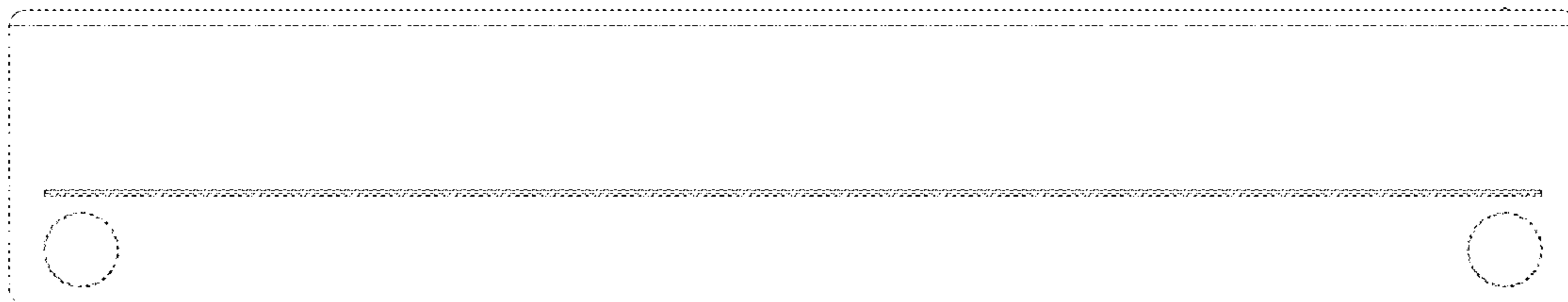


FIG. 7



FIG. 8

