



US00D883242S

(12) **United States Design Patent** (10) **Patent No.:** **US D883,242 S**
Wu (45) **Date of Patent:** **** May 5, 2020**

(54) **VIDEO TRANSCEIVER**
(71) Applicant: **Guohua Wu**, Xingning (CN)
(72) Inventor: **Guohua Wu**, Xingning (CN)
(**) Term: **15 Years**
(21) Appl. No.: **29/714,746**
(22) Filed: **Nov. 26, 2019**
(51) **LOC (12) Cl.** **14-03**
(52) **U.S. Cl.**
USPC **D14/125**
(58) **Field of Classification Search**
USPC D14/125, 155, 168, 175, 300, 301, 302,
D14/314, 348, 355, 365, 356, 357, 358,
D14/388, 432, 433, 496, 217, 218, 240,
D14/242, 299, 137; D24/107, 167, 185,
D24/186; D13/152, 158, 159, 123, 124,
D13/162, 162.1, 168, 173, 184, 199, 110
CPC ... H04W 88/00; H04W 88/005; H04W 88/02;
H04W 88/08; H04W 88/12; H04W 88/16;
H04W 88/18; H04B 1/38; H04N 5/4403;
H04N 21/40; H04N 21/41
See application file for complete search history.

(56) **References Cited**

U.S. PATENT DOCUMENTS

D255,031 S *	5/1980	Lazzara	D13/165
D265,986 S *	8/1982	Wearsch	D13/152
D285,926 S *	9/1986	Kies	D14/357
D297,007 S *	8/1988	Pushelberg	D14/496
D305,230 S *	12/1989	Math	D14/358
D319,425 S *	8/1991	Bibbiani	D13/123
D331,040 S *	11/1992	Mielko	D13/152
D341,587 S *	11/1993	Larson	D14/137
D347,004 S *	5/1994	Beaumont	D14/137
D352,706 S *	11/1994	Hong	D14/137
D357,285 S *	4/1995	Feng	D21/324
D366,878 S *	2/1996	Wakabayashi	D13/147

D376,146 S *	12/1996	Totsch	D14/155
D378,674 S *	4/1997	Volansky	D13/147
5,807,139 A *	9/1998	Volansky	H01R 13/518 439/491
D402,275 S *	12/1998	Korhonen	D13/184
D413,323 S *	8/1999	Tashiro	D13/123
D416,232 S *	11/1999	Einck	D13/152
D418,481 S *	1/2000	Lin	D13/152
D431,485 S *	10/2000	Huang	D14/357
D451,479 S *	12/2001	Bateson	D13/152
D460,452 S *	7/2002	Yoshie	D14/358
D464,965 S *	10/2002	Wang	D14/358
D466,130 S *	11/2002	Hussaini	D14/496
D467,592 S *	12/2002	Hussaini	D14/496
D474,158 S *	5/2003	Liao	D13/158
D476,628 S *	7/2003	Millar	D13/158
D486,829 S *	2/2004	Wang	D14/480.5
D497,878 S *	11/2004	Koo	D13/152
D509,833 S *	9/2005	Yang	D14/496

(Continued)

Primary Examiner — Marie D. Fast Horse

(74) Attorney, Agent, or Firm — HYIP

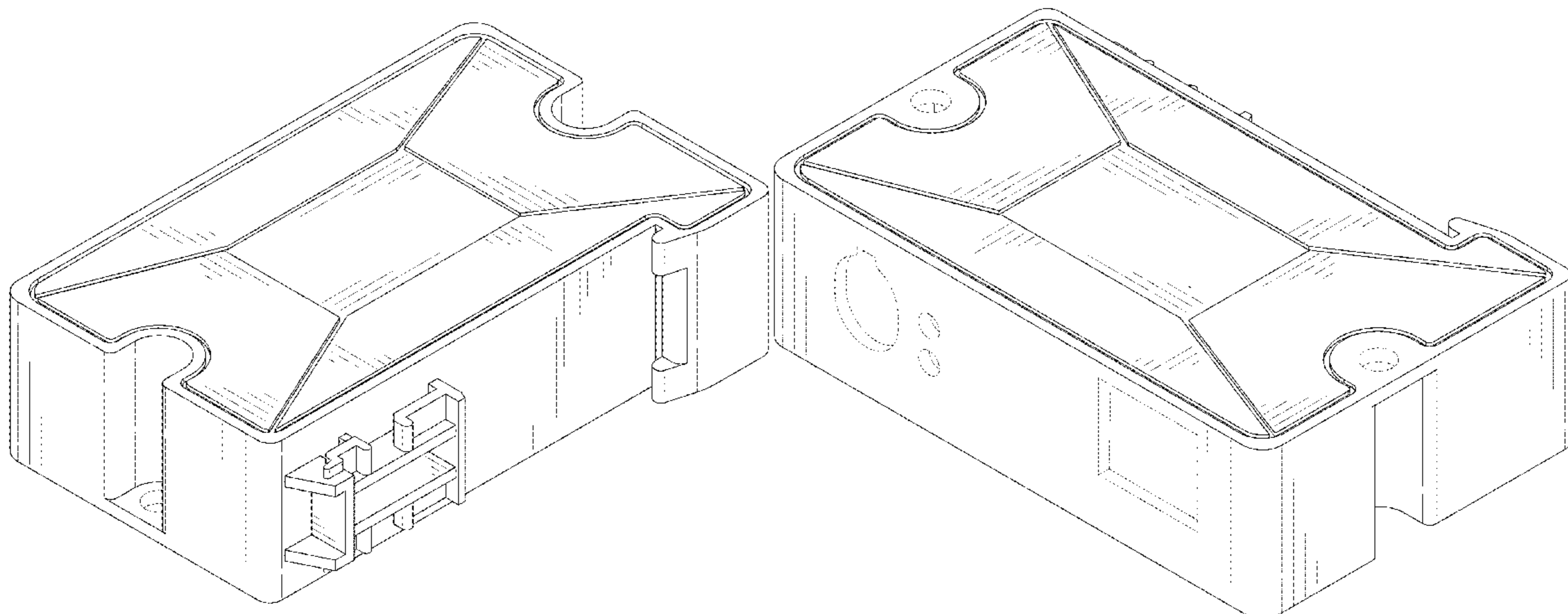
(57) **CLAIM**

The ornamental design for a video transceiver, as shown and described.

DESCRIPTION

FIG. 1 is a first perspective view of a video transceiver showing my new design;
FIG. 2 is a second perspective view thereof;
FIG. 3 is a front view thereof;
FIG. 4 is a back view thereof;
FIG. 5 is a left side view thereof;
FIG. 6 is a right side view thereof;
FIG. 7 is a top view thereof; and,
FIG. 8 is a bottom view thereof.
The broken lines shown in the drawings depict portions of the video transceiver in which the design is embodied that form no part of the claimed design.

1 Claim, 8 Drawing Sheets



(56)

References Cited

U.S. PATENT DOCUMENTS

D520,001 S * 5/2006 Katayama D14/358
 D539,686 S * 4/2007 Thibado D10/109.1
 D563,895 S * 3/2008 Stuckmann D13/152
 D579,879 S * 11/2008 Wegner D13/152
 D583,367 S * 12/2008 Chen D14/240
 D588,076 S * 3/2009 Ollila D13/168
 D594,456 S * 6/2009 Huang D14/358
 D606,034 S * 12/2009 Suzuki D14/125
 D609,701 S * 2/2010 Hou D14/240
 D625,692 S * 10/2010 Homuth D13/162
 D627,346 S * 11/2010 Miyazoe D13/110
 D629,365 S * 12/2010 Garcia De Vicuna D13/152
 D630,591 S * 1/2011 Garcia De Vicuna D13/152
 D661,680 S * 6/2012 Wei D14/155
 D664,123 S * 7/2012 Nguyen D14/218
 D677,280 S * 3/2013 Petty D14/496
 D719,115 S * 12/2014 Liu D13/147
 D724,079 S * 3/2015 Probst D14/348
 D728,540 S * 5/2015 Inoue D14/240
 D732,041 S * 6/2015 Conn D14/433
 D732,512 S 6/2015 Fariello

D764,408 S * 8/2016 Spiegel D13/110
 D765,528 S * 9/2016 Fleck D10/104.1
 D777,126 S * 1/2017 Odryna D14/125
 D783,537 S * 4/2017 Skov D13/147
 D793,262 S * 8/2017 Geskin Zinovi D10/104.1
 D802,565 S 11/2017 Fariello
 D808,915 S * 1/2018 Wang D14/125
 D813,159 S * 3/2018 Vinciarelli D13/110
 D814,463 S 4/2018 Haigh
 D815,054 S * 4/2018 Odryna D14/125
 D821,325 S * 6/2018 Duran D13/124
 D821,995 S * 7/2018 Wang D14/125
 D833,401 S * 11/2018 Wilcox D13/152
 D833,995 S * 11/2018 Jha D13/184
 D835,049 S * 12/2018 Wilcox D13/152
 D837,152 S * 1/2019 Wegerer D13/110
 D839,260 S * 1/2019 Lee D14/301
 D841,583 S * 2/2019 Spiegel D13/110
 D841,610 S * 2/2019 Novin D14/137
 D851,075 S * 6/2019 Ramones D14/242
 D853,262 S * 7/2019 Geskin Zinovi D10/104.1
 D855,026 S * 7/2019 Miller D13/158
 D856,291 S * 8/2019 Sun D14/125
 D868,707 S * 12/2019 Lin D13/158

* cited by examiner

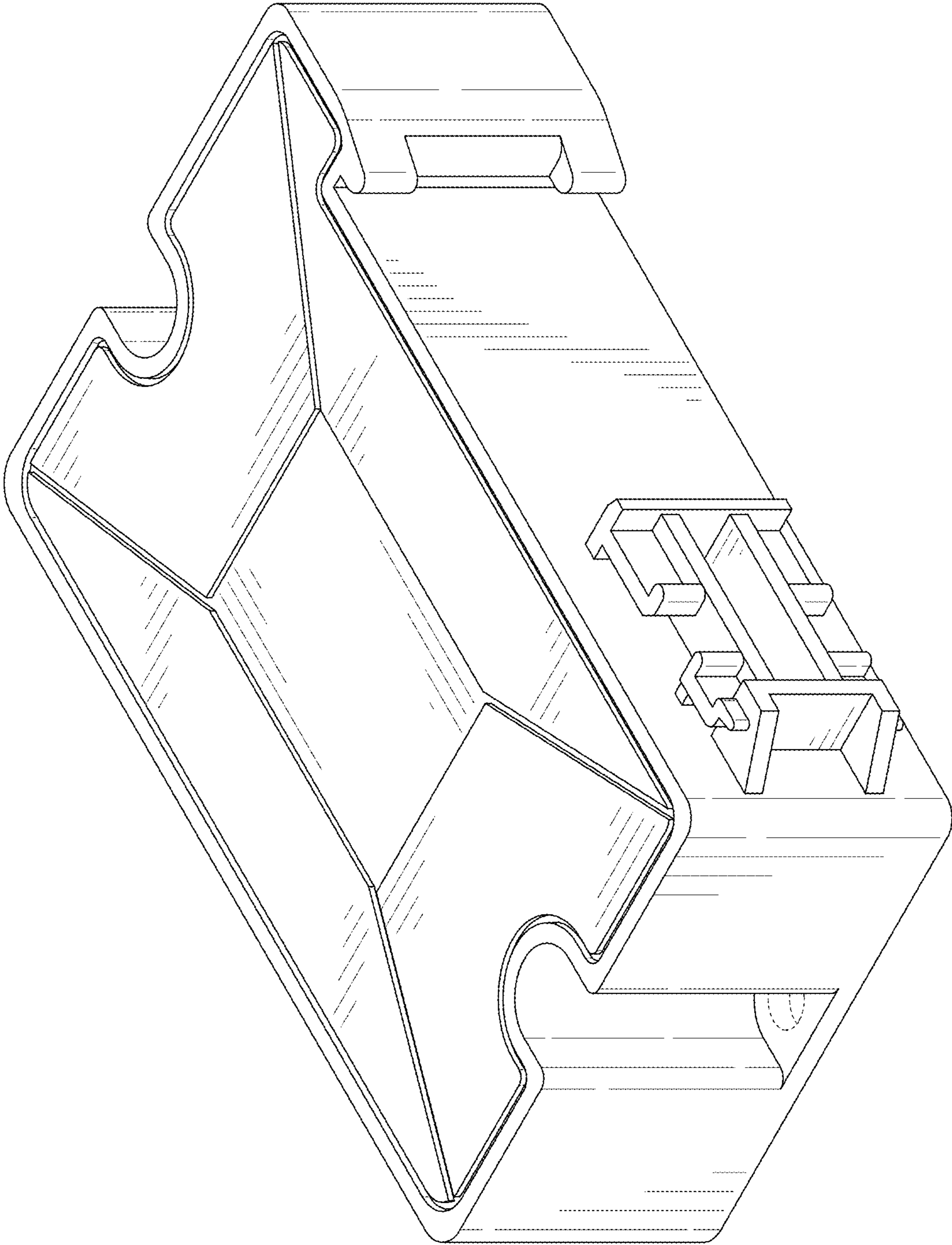


FIG. 1

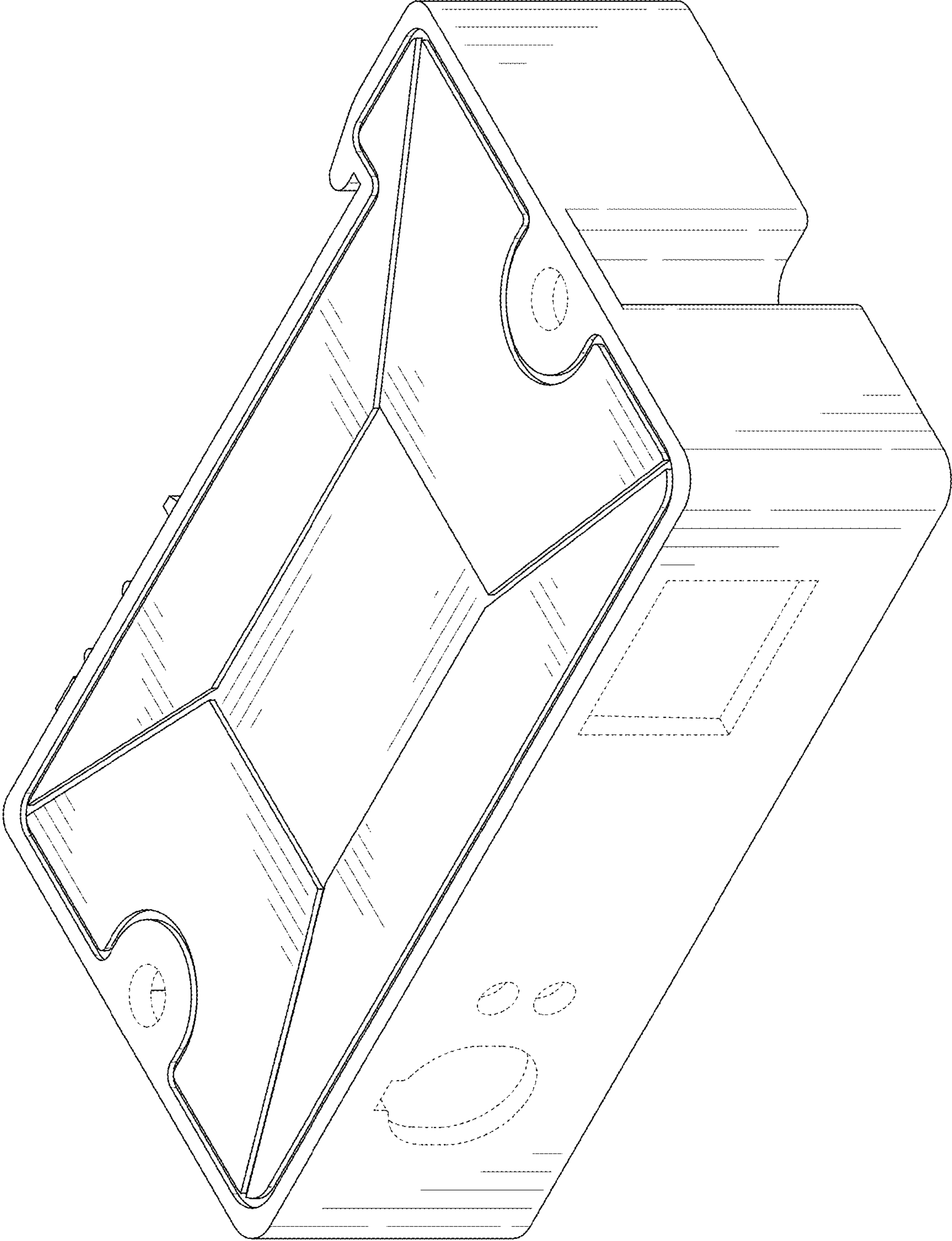


FIG. 2

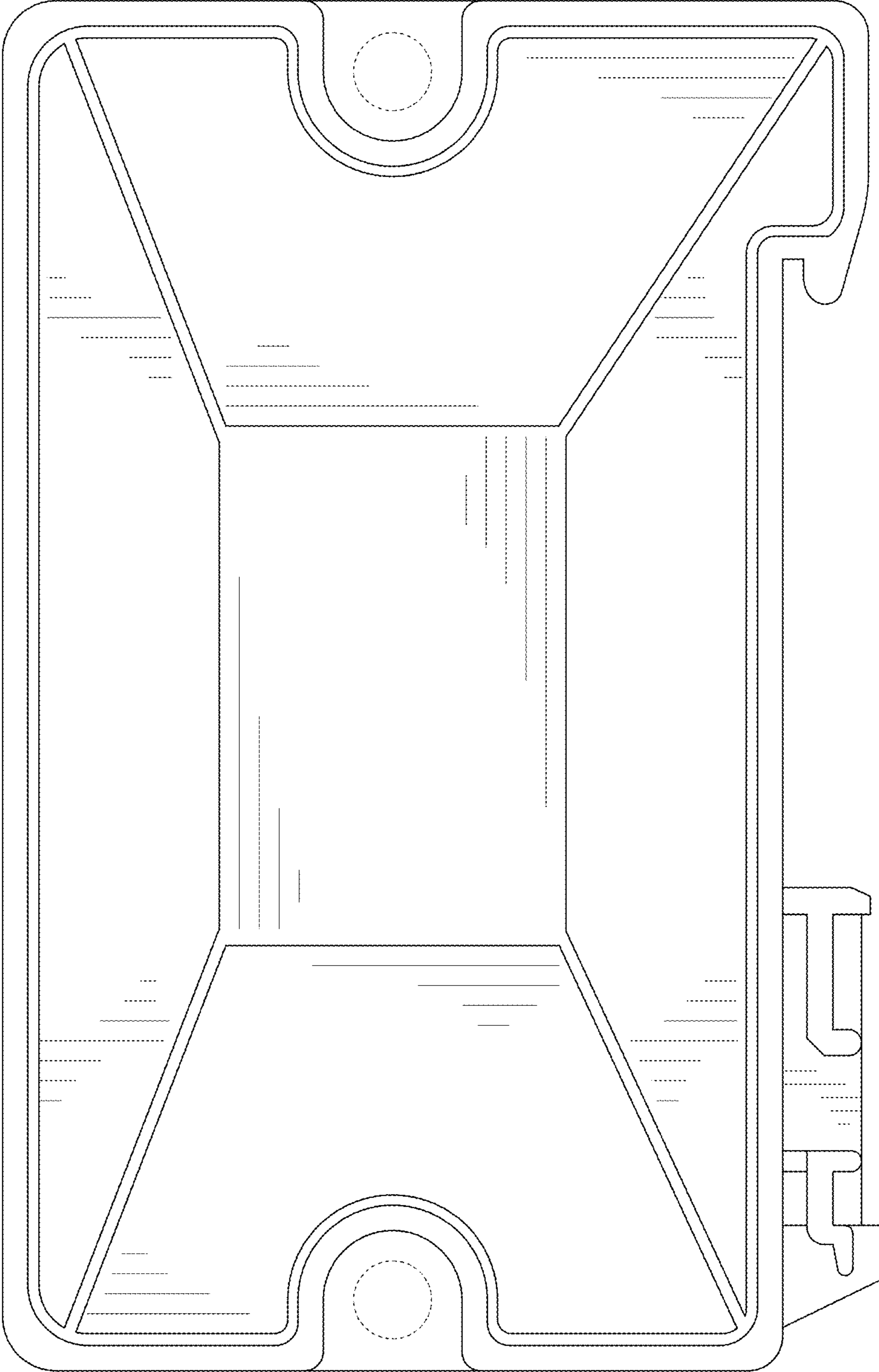


FIG. 3

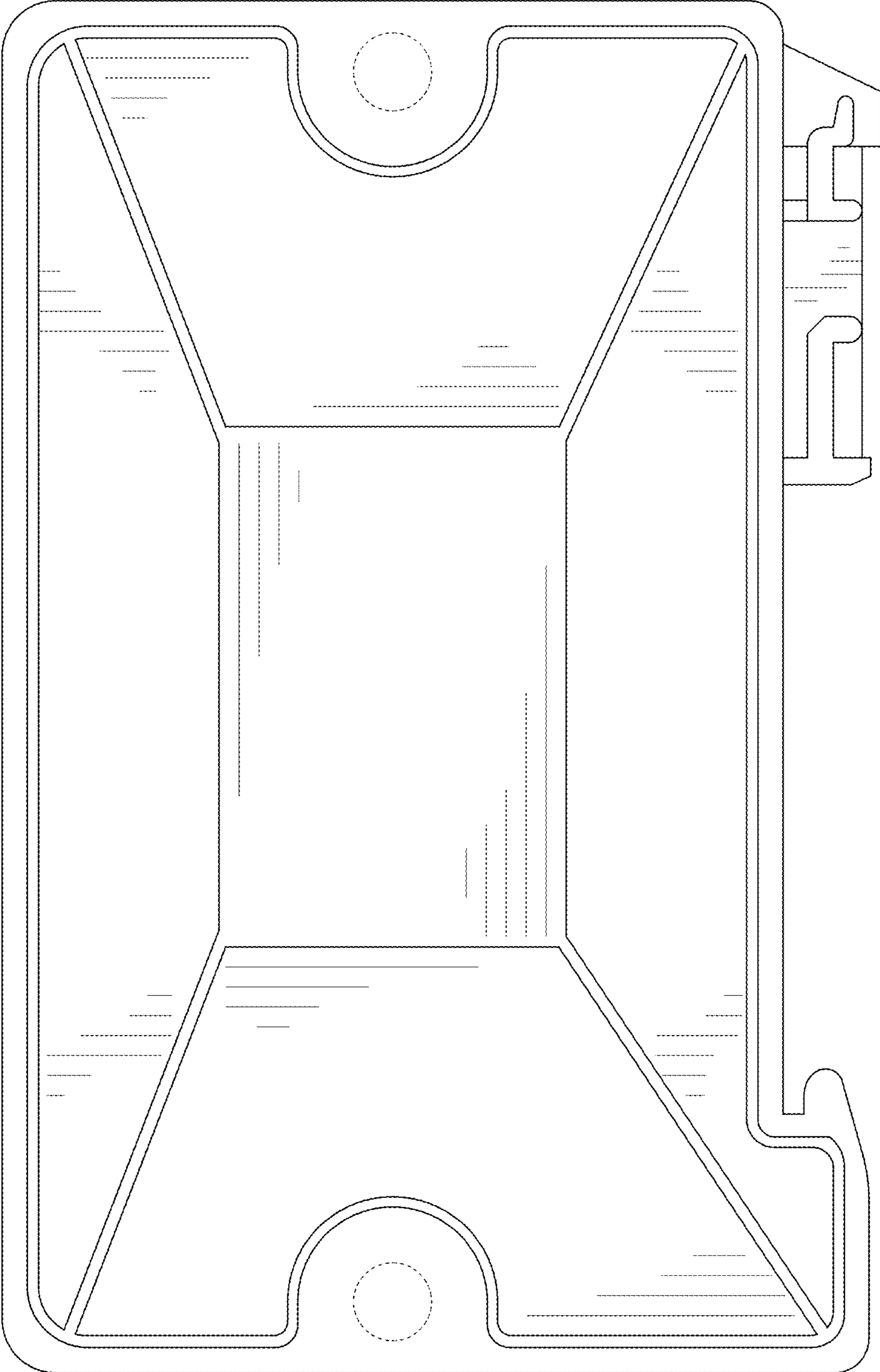


FIG. 4

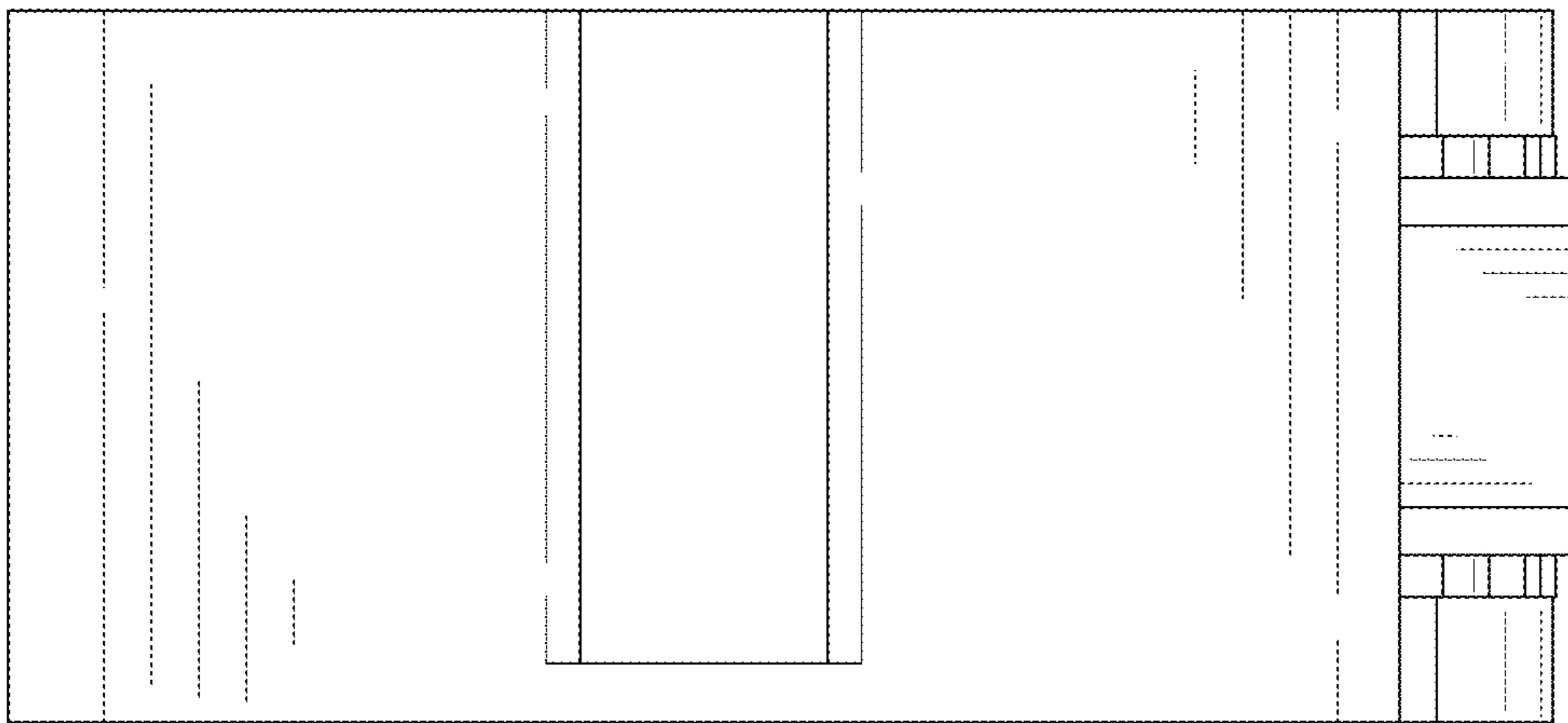


FIG. 5

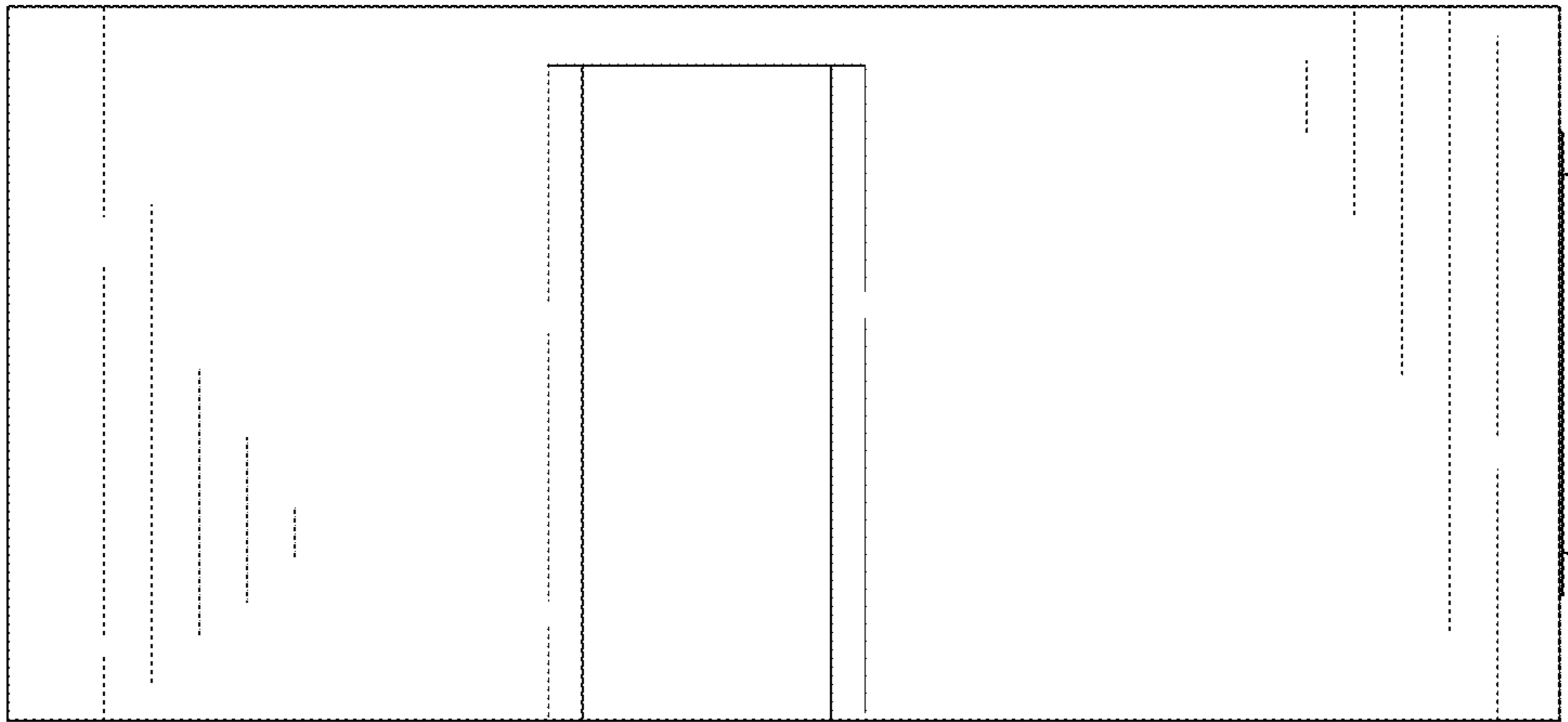


FIG. 6

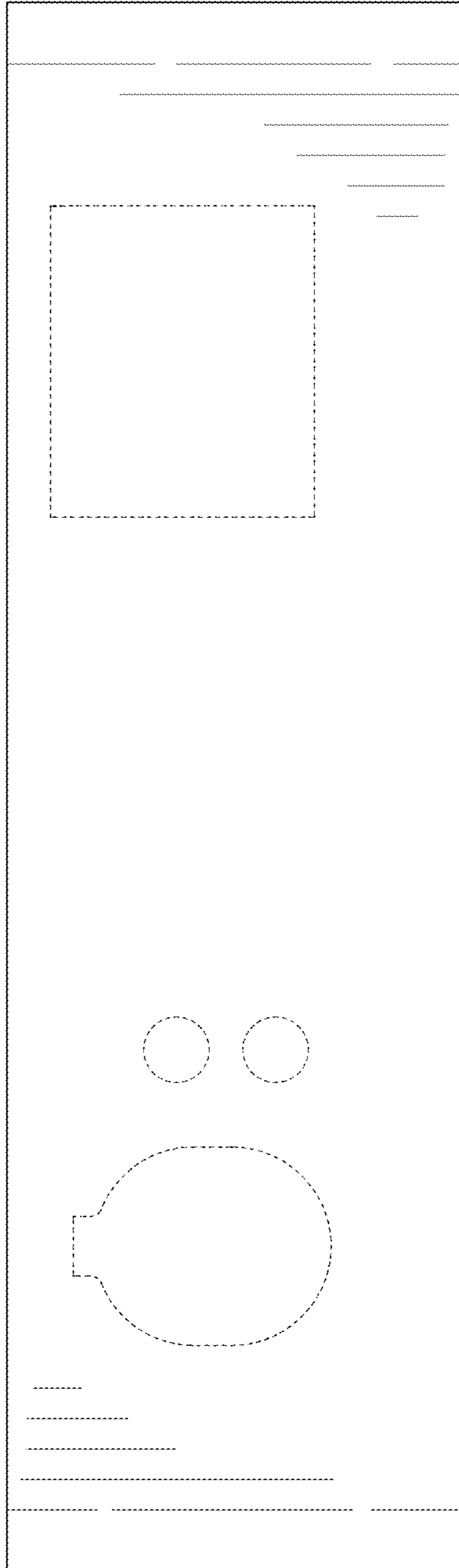


FIG. 7

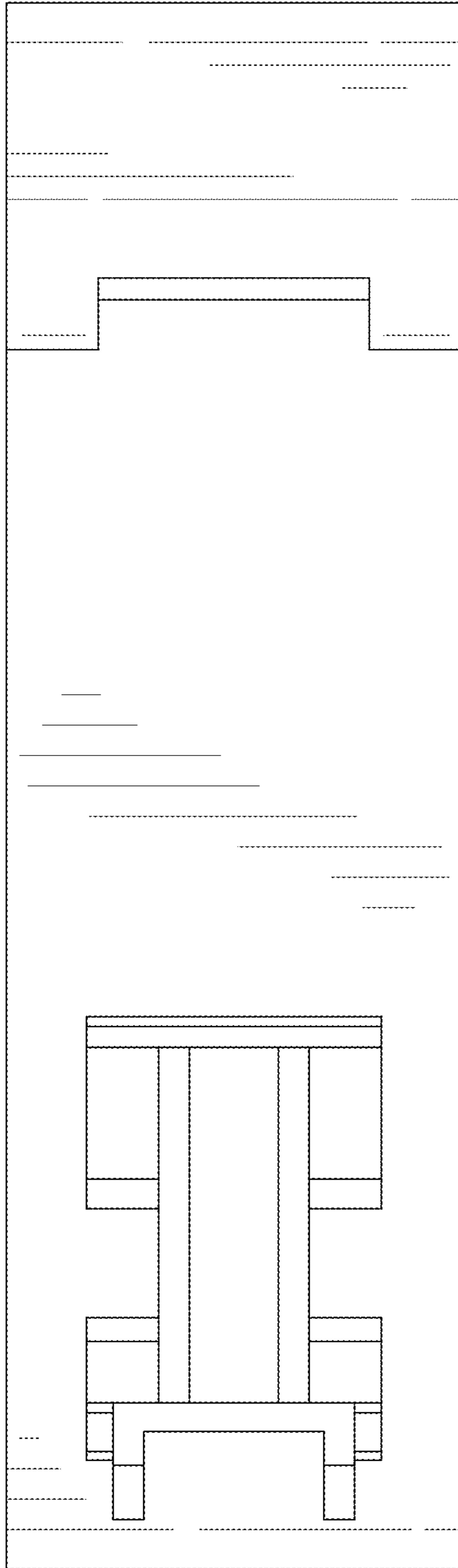


FIG. 8