



US00D883241S

(12) **United States Design Patent**
Beckedahl et al.

(10) **Patent No.:** **US D883,241 S**

(45) **Date of Patent:** **** May 5, 2020**

(54) **POWER MODULE**

(71) Applicant: **SEMIKRON ELEKTRONIK GMBH & CO. KG**, Nuremberg (DE)

(72) Inventors: **Peter Beckedahl**, Oberasbach (DE);
Juergen Steger, Hiltpoltstein (DE);
Ingo Bogen, Nuremberg (DE); **Sandro Bulovic**, Fürth (DE)

(73) Assignee: **SEMIKRON ELEKTRONIK GmbH & CO. KG**, Nuremberg (DE)

(**) Term: **15 Years**

(21) Appl. No.: **29/671,493**

(22) Filed: **Nov. 28, 2018**

(30) **Foreign Application Priority Data**

Jun. 4, 2018 (DE) 40 2018 100 539

(51) **LOC (12) Cl.** **13-03**

(52) **U.S. Cl.**
USPC **D13/182**

(58) **Field of Classification Search**
USPC D13/110, 158, 182, 184
CPC H05K 7/1432; H01L 23/04; H01L 23/473;
H02M 7/003
See application file for complete search history.

(56) **References Cited**

U.S. PATENT DOCUMENTS

D762,185 S * 7/2016 Muehlensiep D13/182
D798,832 S * 10/2017 Hayashida D13/182
D799,439 S * 10/2017 Hayashiguchi D13/182

D814,431 S * 4/2018 Matsumoto D13/182
10,090,774 B1 * 10/2018 Beckedahl H02M 7/003
10,163,761 B2 * 12/2018 Bogen H05K 7/1432
10,270,358 B2 * 4/2019 Kobolla H05K 1/0213
D853,978 S * 7/2019 Auer D13/182
D858,467 S * 9/2019 Sawada D13/182
D864,132 S * 10/2019 Sawada D13/182
2013/0134572 A1 * 5/2013 Lenniger H01L 23/367
257/690
2014/0168900 A1 * 6/2014 Korich H05K 7/1432
361/709
2014/0376184 A1 * 12/2014 Gohara H05K 7/20254
361/689
2015/0223339 A1 * 8/2015 Nakamura H01L 23/3735
361/705
2016/0276927 A1 * 9/2016 Das H01L 29/1608

* cited by examiner

Primary Examiner — Selina Sikder

(74) *Attorney, Agent, or Firm* — Lackenbach Siegel, LLP;
Andrew F. Young

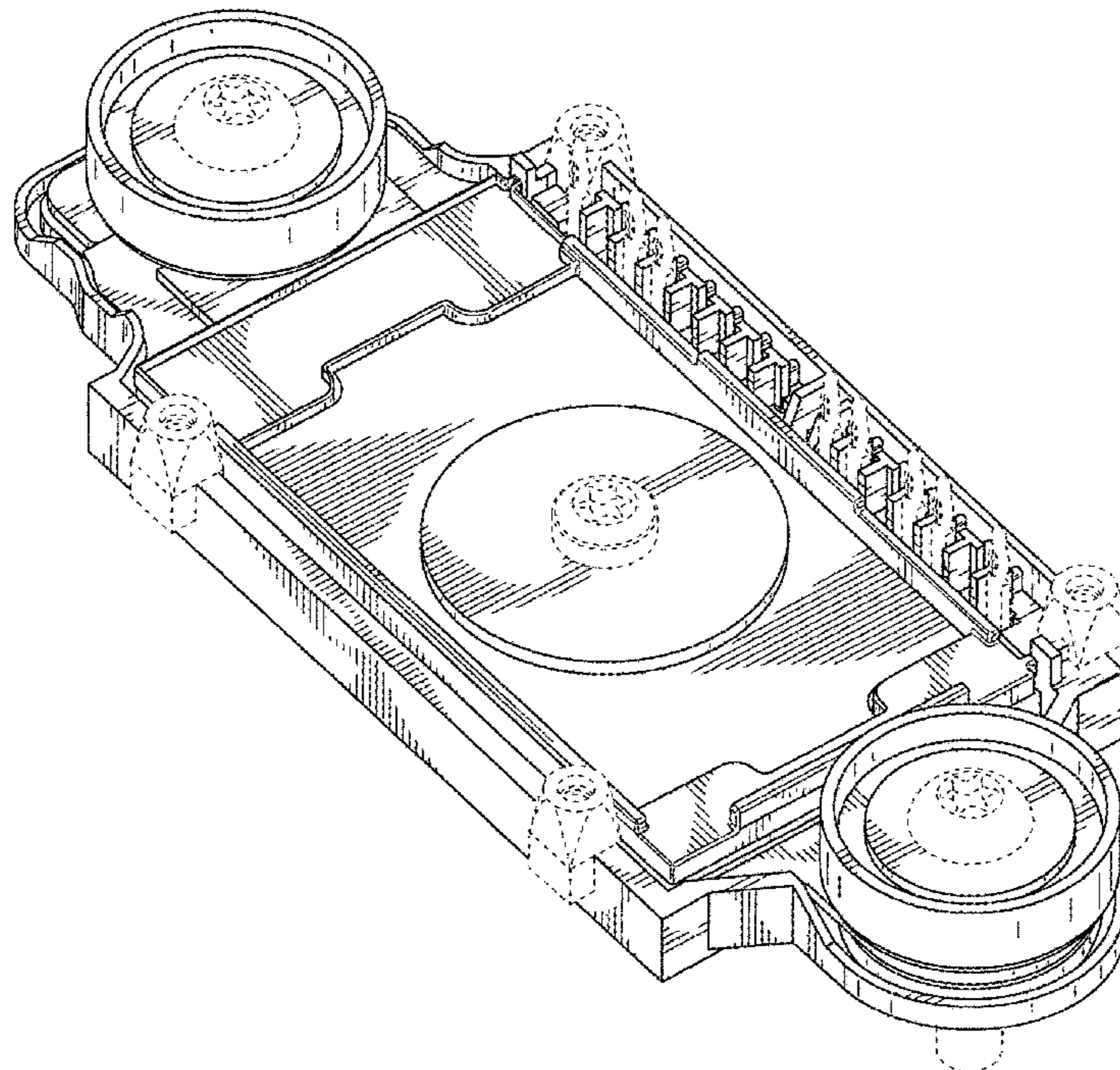
(57) **CLAIM**

The ornamental design for a power module, as shown and described.

DESCRIPTION

FIG. 1 is a front top perspective view of a power module.
FIG. 2 is a right side view thereof.
FIG. 3 is a left side view thereof.
FIG. 4 is a front view thereof.
FIG. 5 is a rear view thereof.
FIG. 6 is a top plan view thereof; and,
FIG. 7 is a bottom plan view thereof.
The broken lines in the drawing show portions of power module that do not form a part of the claimed design.

1 Claim, 7 Drawing Sheets



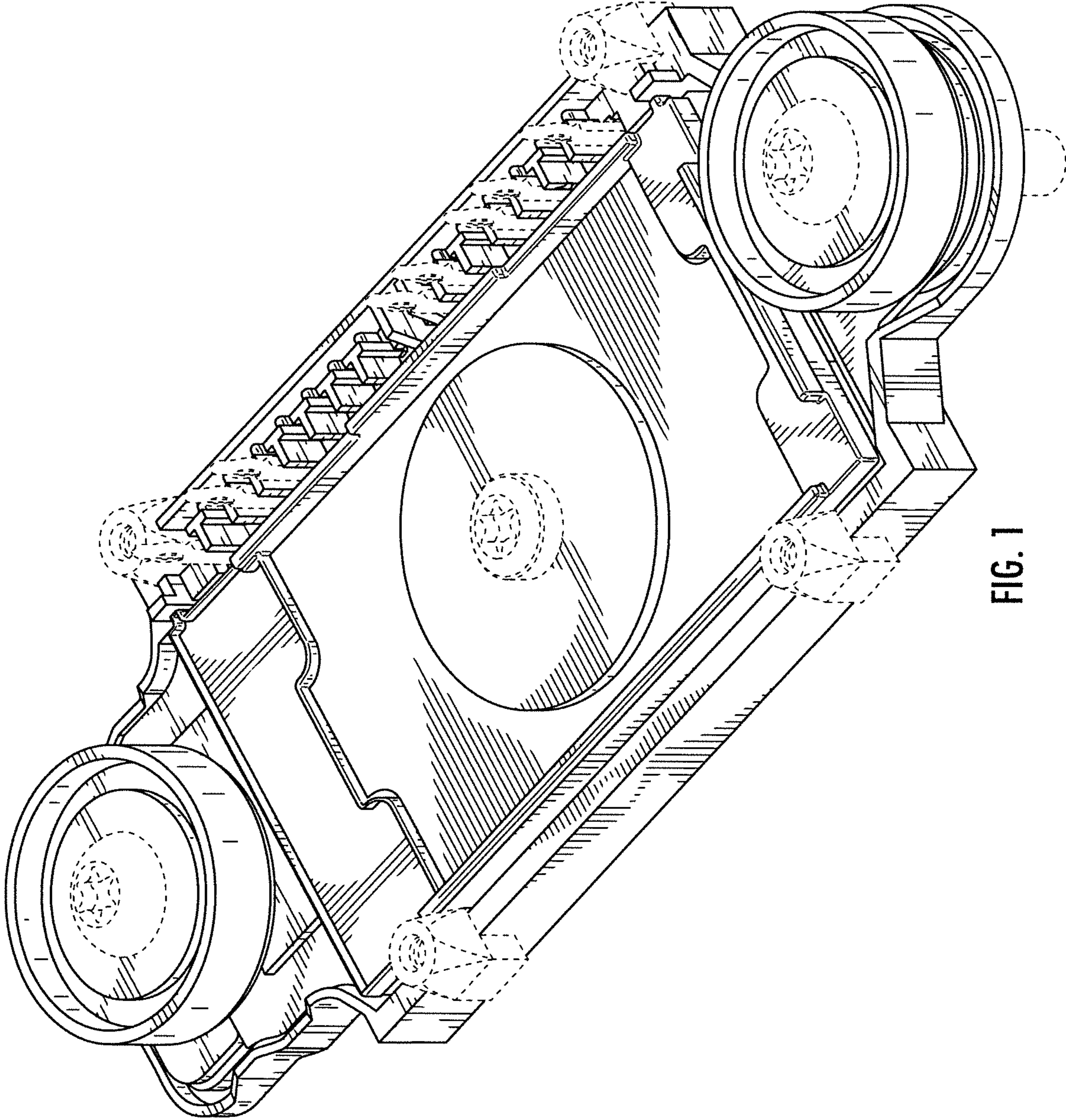


FIG. 1

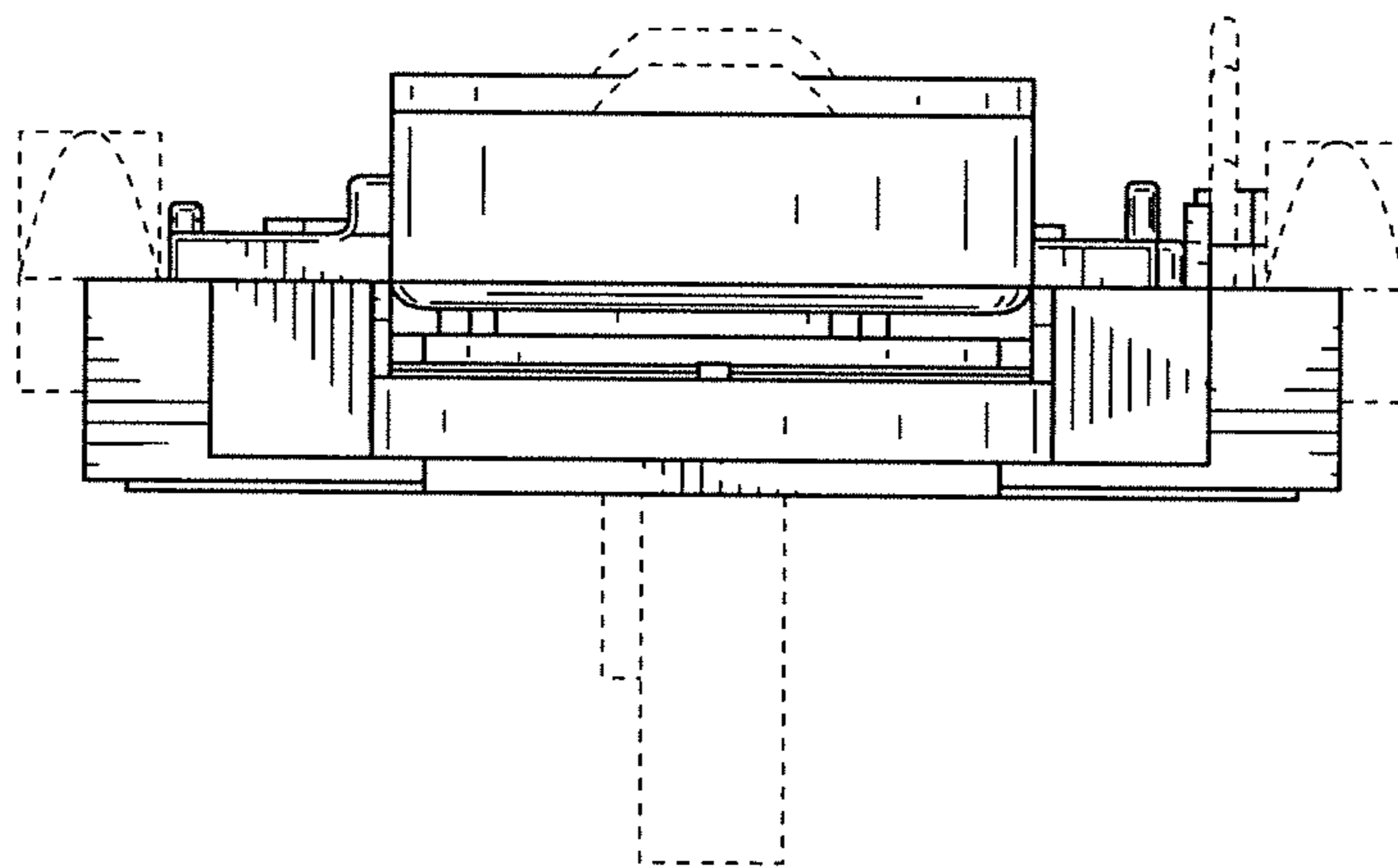


FIG. 2

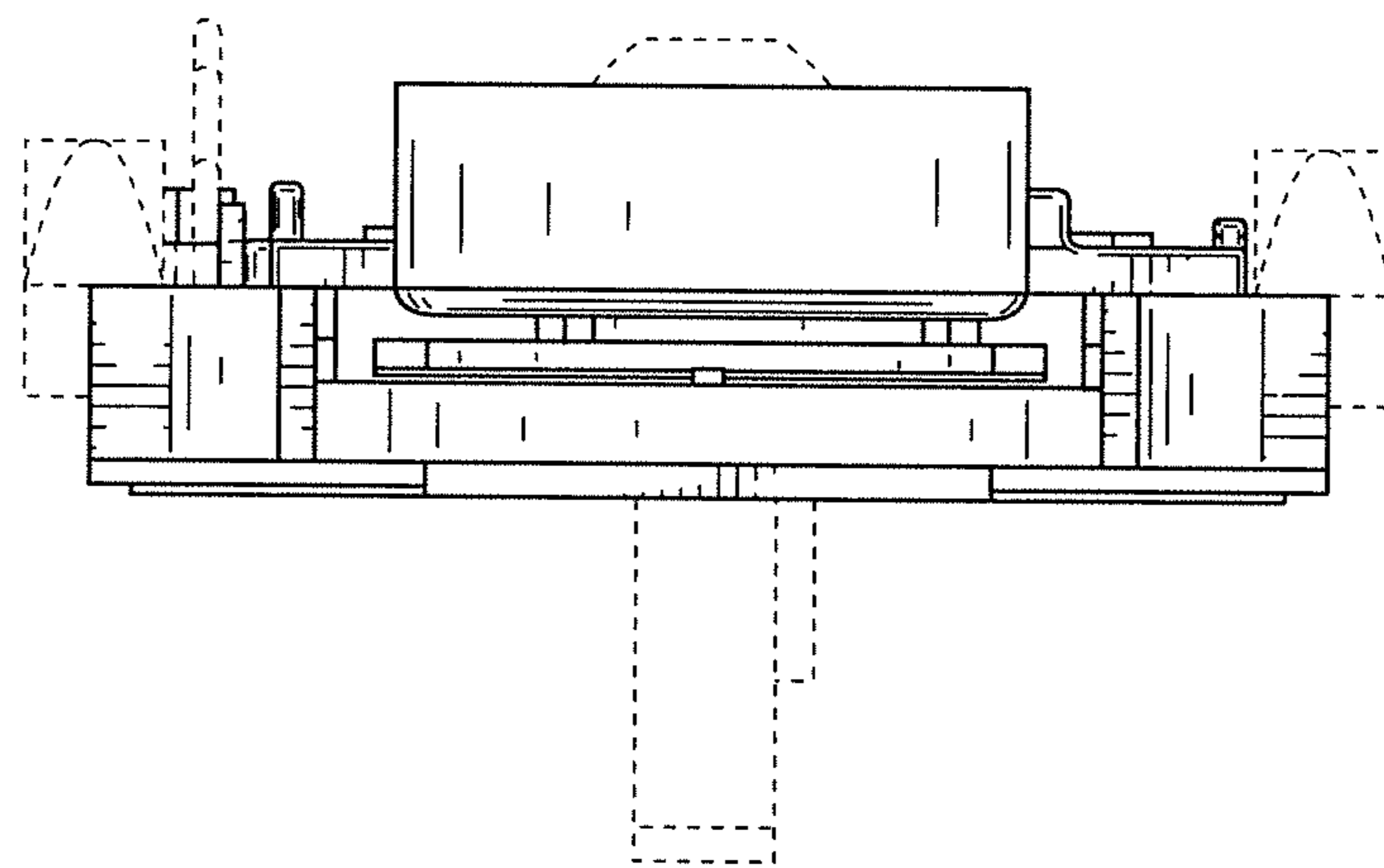


FIG. 3

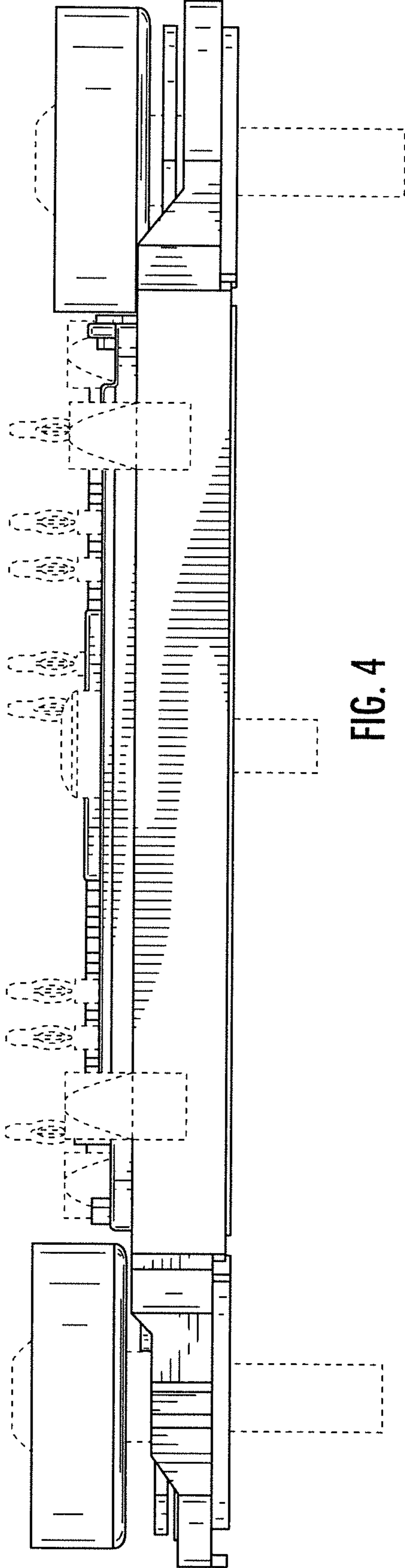


FIG. 4

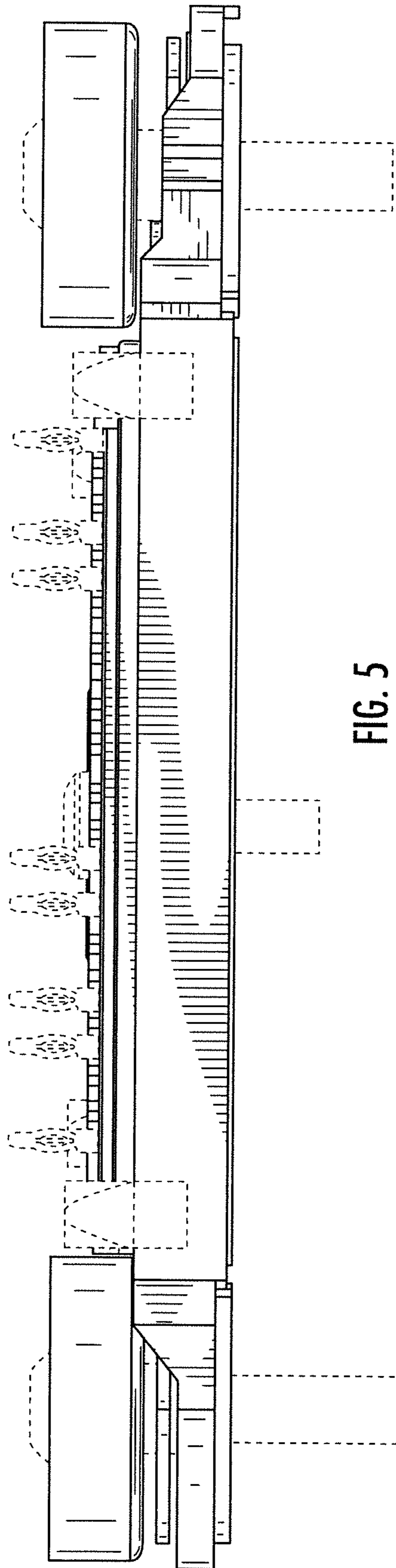


FIG. 5

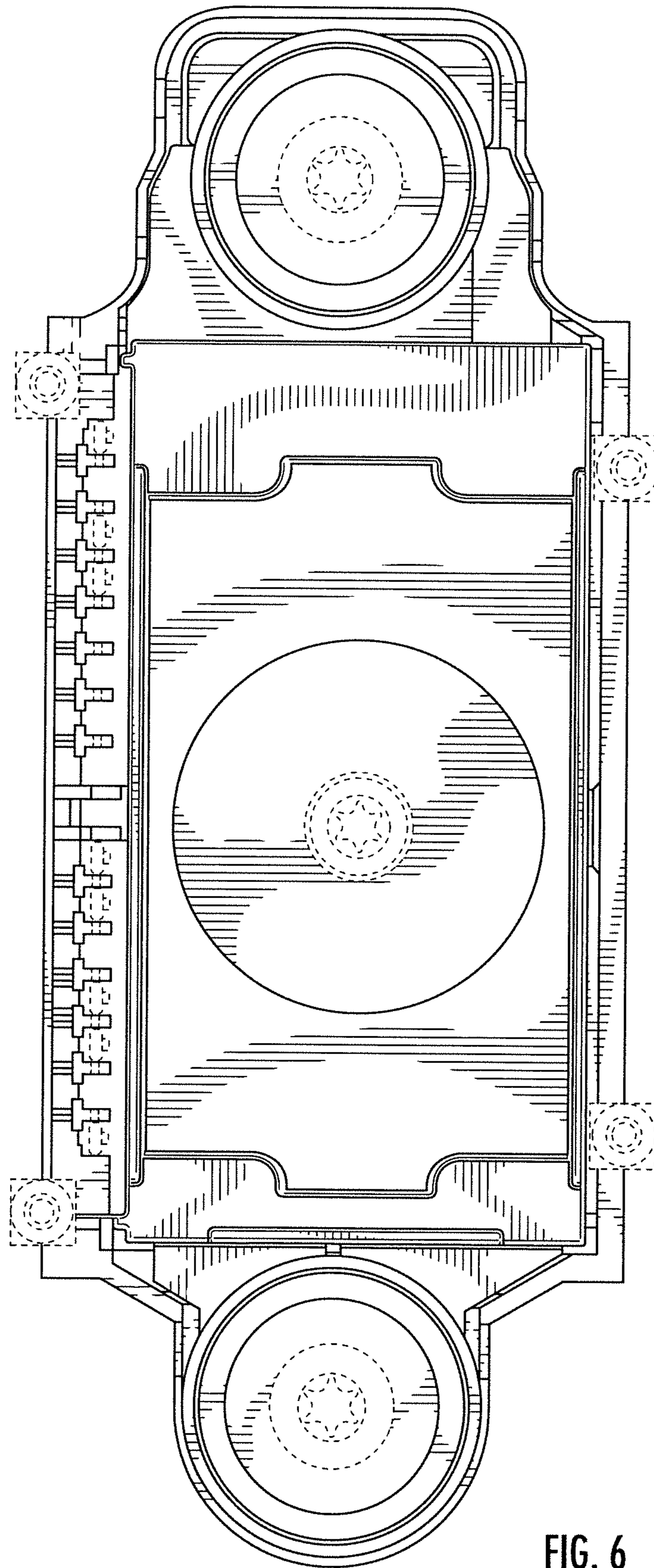


FIG. 6

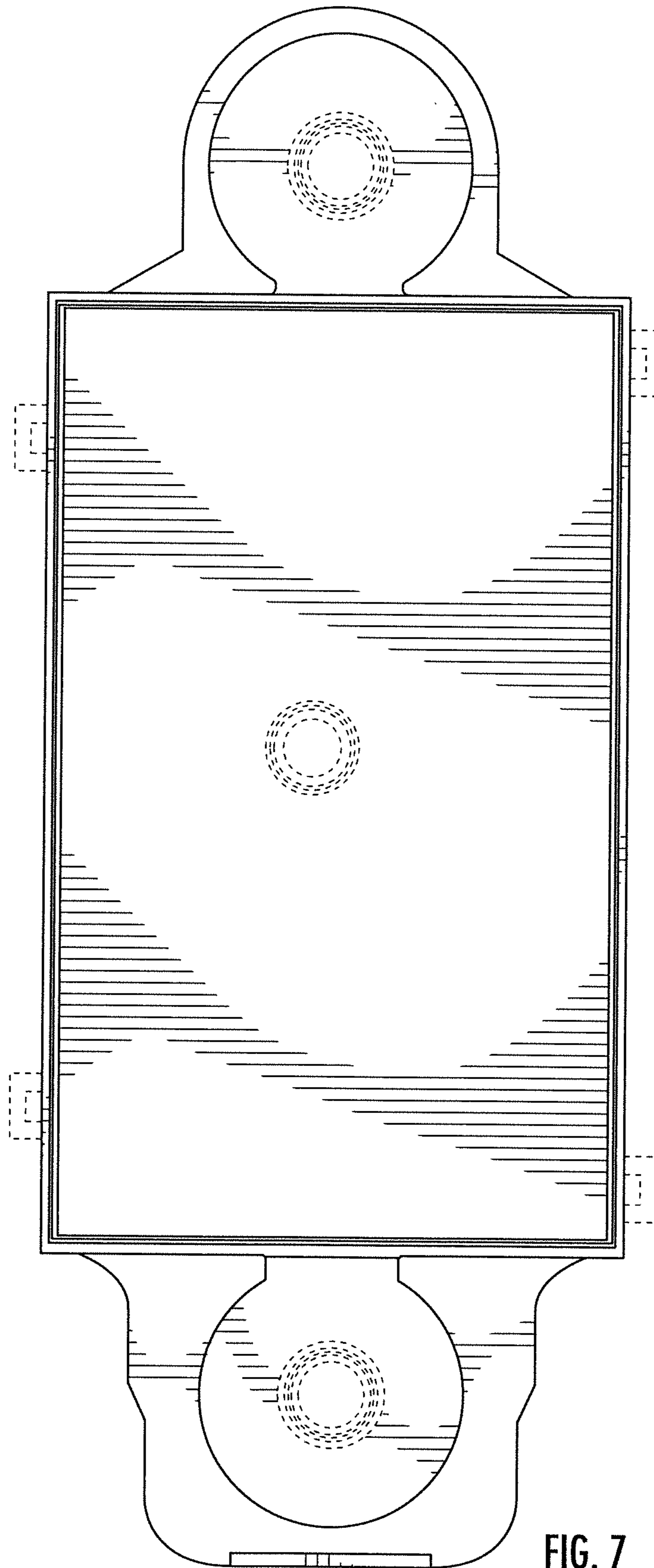


FIG. 7