



US00D883239S

(12) **United States Design Patent**
Fujino

(10) **Patent No.:** **US D883,239 S**

(45) **Date of Patent:** **** May 5, 2020**

- (54) **PUSH BUTTON FOR SWITCH**
- (71) Applicant: **OMRON Corporation**, Kyoto-shi, Kyoto (JP)
- (72) Inventor: **Minoru Fujino**, Kyoto (JP)
- (73) Assignee: **OMRON Corporation**, Kyoto (JP)
- (**) Term: **15 Years**
- (21) Appl. No.: **29/676,273**
- (22) Filed: **Jan. 9, 2019**
- (30) **Foreign Application Priority Data**
Jul. 11, 2018 (JP) 2018-015320
- (51) **LOC (12) Cl.** **13-03**
- (52) **U.S. Cl.**
USPC **D13/174**
- (58) **Field of Classification Search**
USPC D13/162, 171, 174, 177; D7/405, 406; D8/310, 311, 312
CPC .. H01H 3/12; H01H 9/02; H01H 9/16; H01H 9/18; H01H 9/181; H01H 9/182; H01H 13/04; H01H 13/14; H01H 2009/187; G06F 3/0362; G05G 1/08; G05G 1/10; H02G 3/14
See application file for complete search history.

- 6,103,982 A * 8/2000 Chien H01H 23/025 200/276
- 6,363,579 B1 * 4/2002 King, Jr. F16K 31/607 16/430
- D469,411 S * 1/2003 Decosse D13/171
- D472,947 S * 4/2003 Wu D21/694
- D496,336 S * 9/2004 Wang D13/171
- 6,876,313 B2 * 4/2005 Hsiung G05G 1/105 200/310
- D537,317 S * 2/2007 Jackson, Jr. D8/300
- D570,300 S * 6/2008 Weinberg D13/174
- D593,510 S * 6/2009 Chen D13/171
- D611,916 S * 3/2010 Wu D13/171
- D645,005 S * 9/2011 Menheere D13/171
- D654,880 S * 2/2012 Lam D13/174
- 10,550,553 B1 * 2/2020 Pankey F16K 31/60

* cited by examiner

Primary Examiner — Selina Sikder

(74) *Attorney, Agent, or Firm* — Capitol City TechLaw

(57) **CLAIM**

The ornamental design for a push button for switch, as shown and described.

DESCRIPTION

FIG. 1 is a front, top, and right side perspective view of a push button for switch showing my new design;
 FIG. 2 is a front view thereof, a rear view being a mirror image thereof;
 FIG. 3 is a left side view thereof, a right side view being a mirror image thereof;
 FIG. 4 is a top view thereof; and,
 FIG. 5 is a bottom view thereof.
 The dashed broken lines in the figures show portions of the push button for switch that form no part of the claimed design.

1 Claim, 5 Drawing Sheets

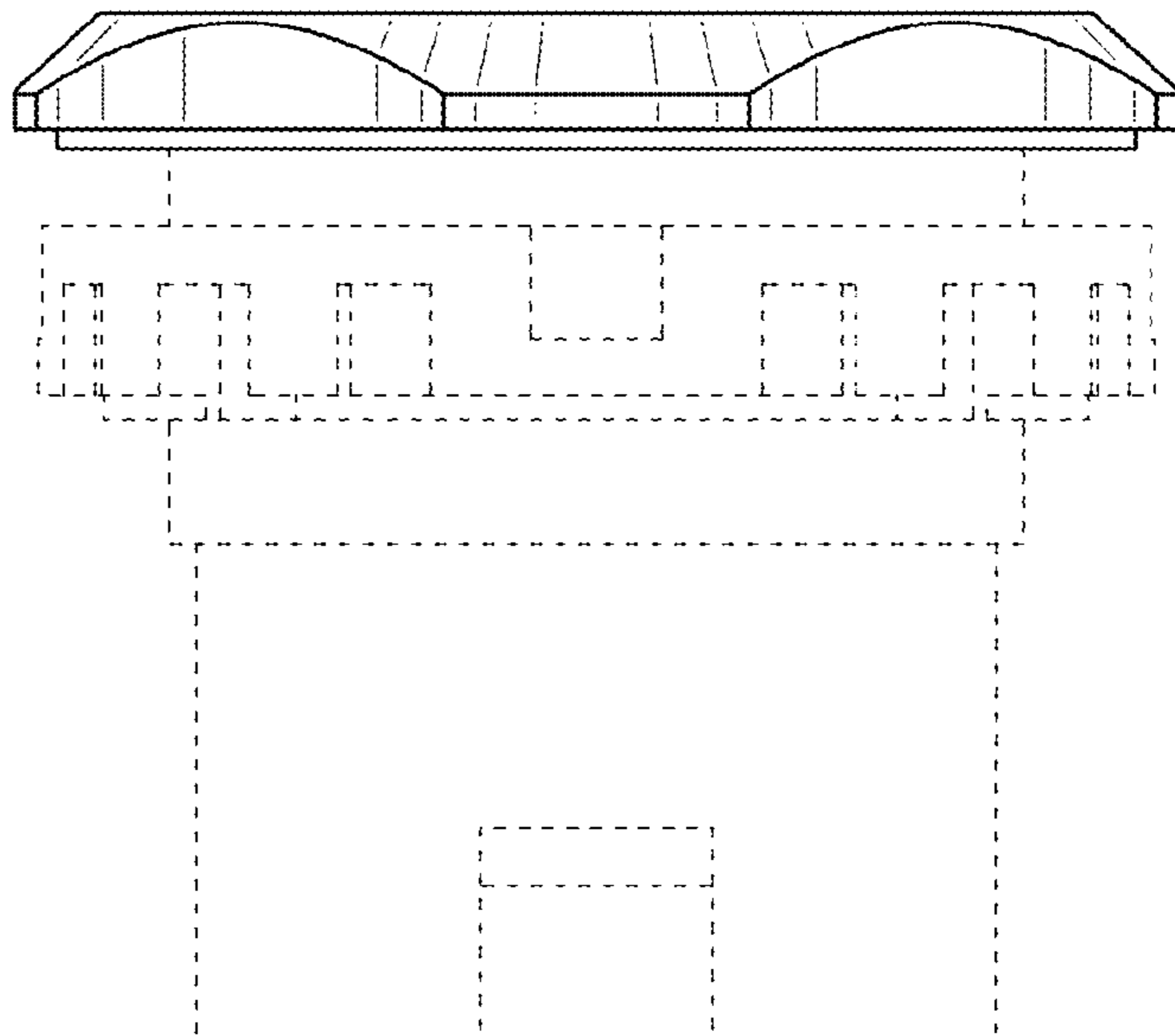
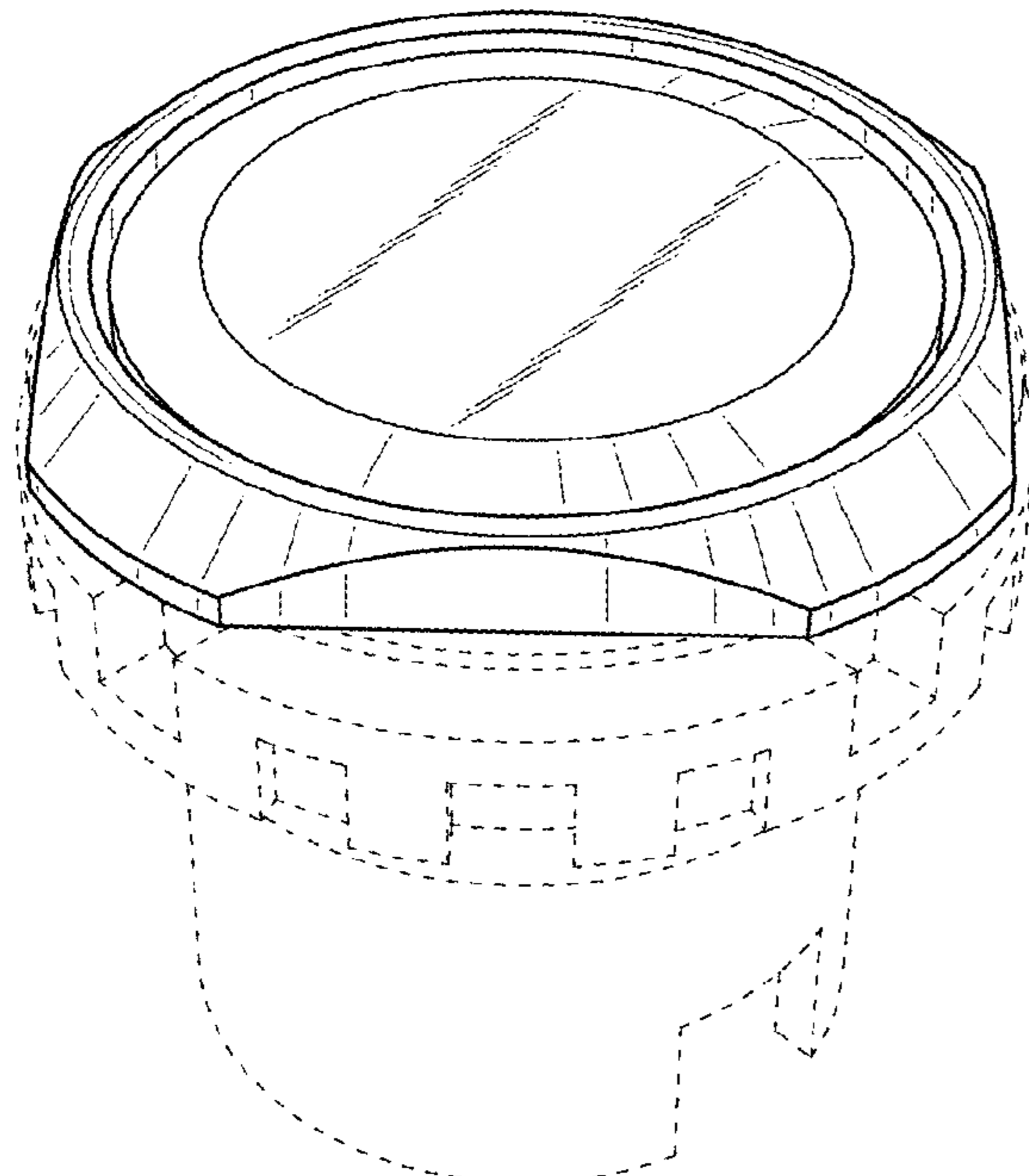


Fig. 1

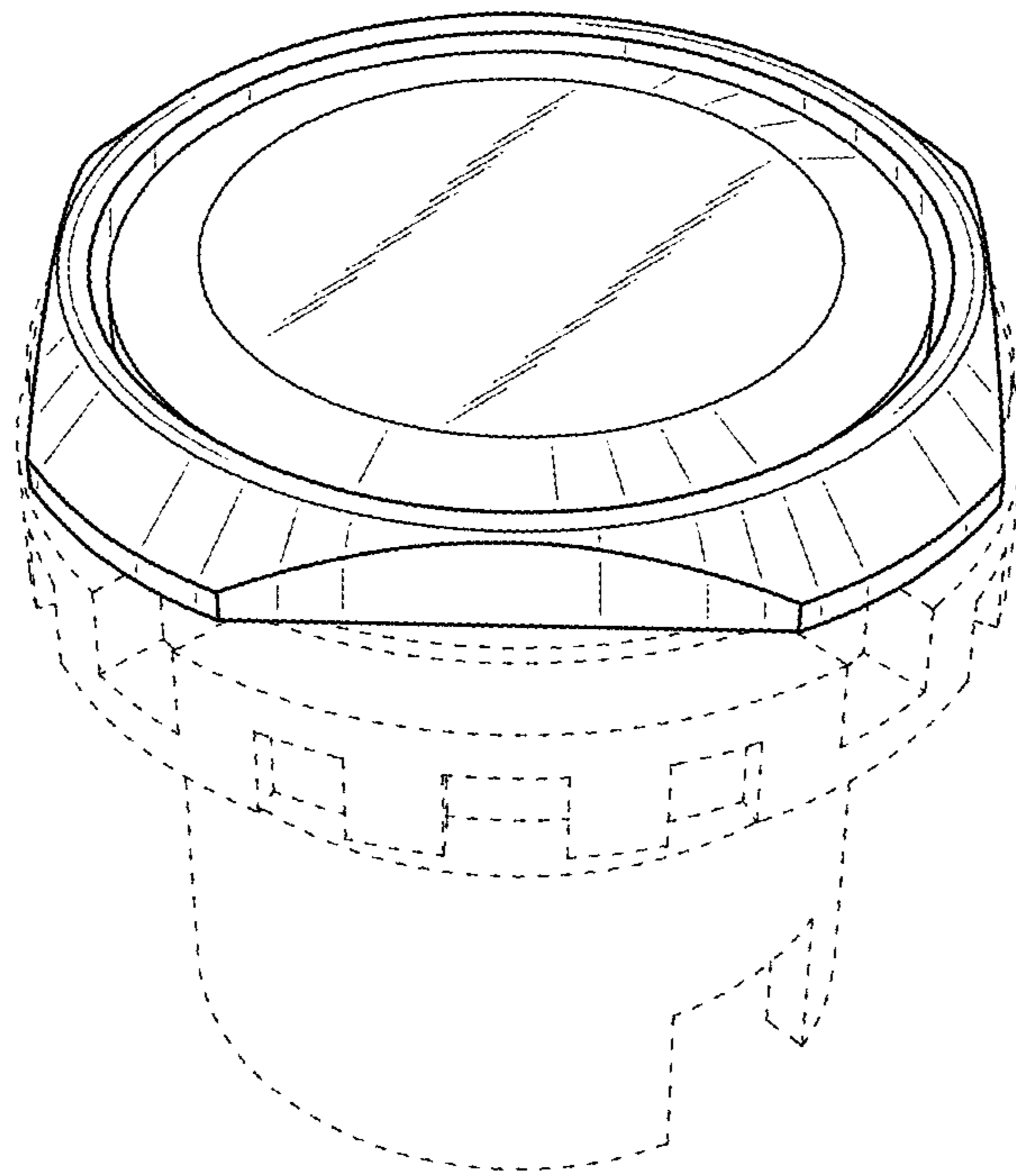


Fig. 2

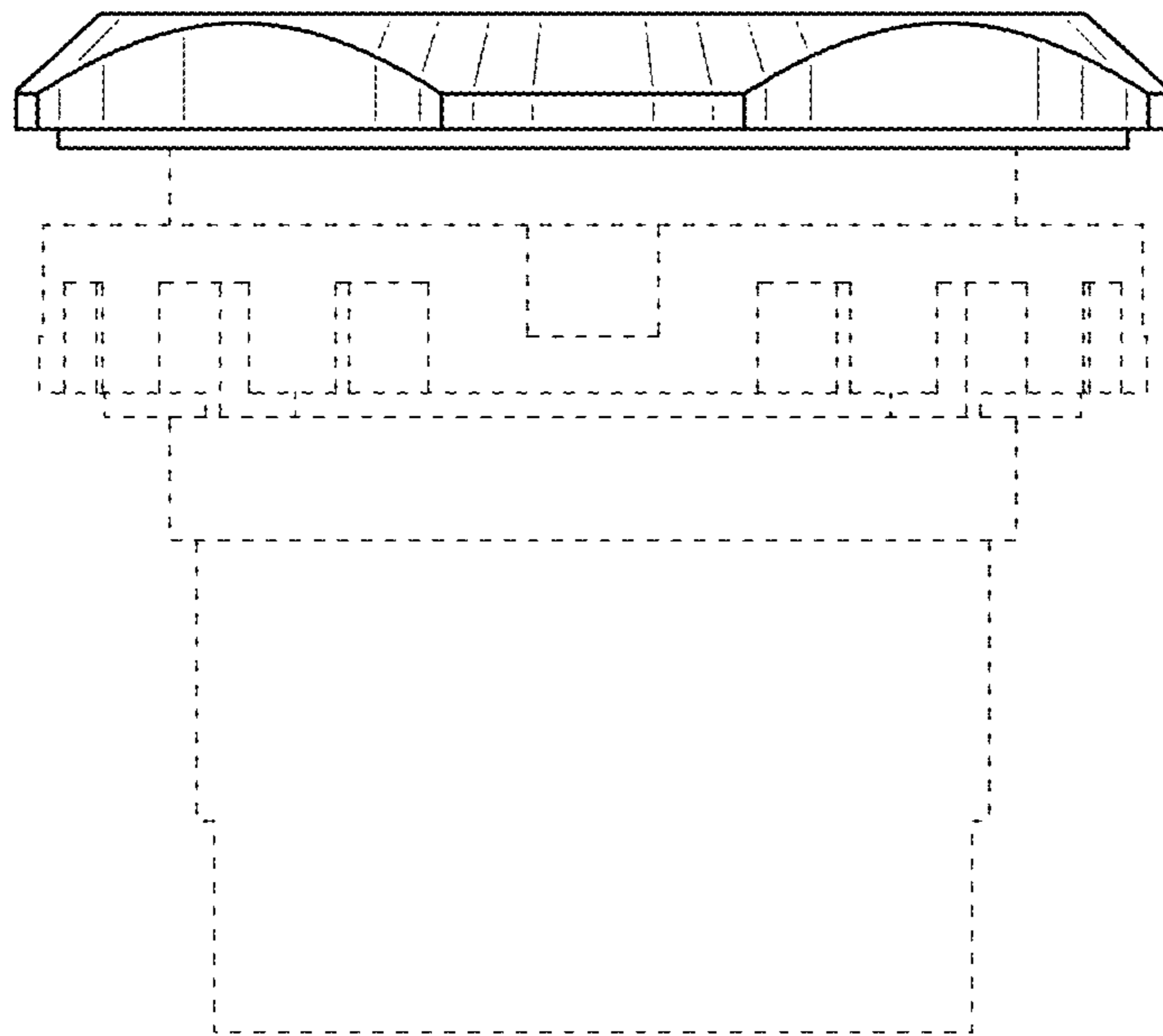


Fig. 3

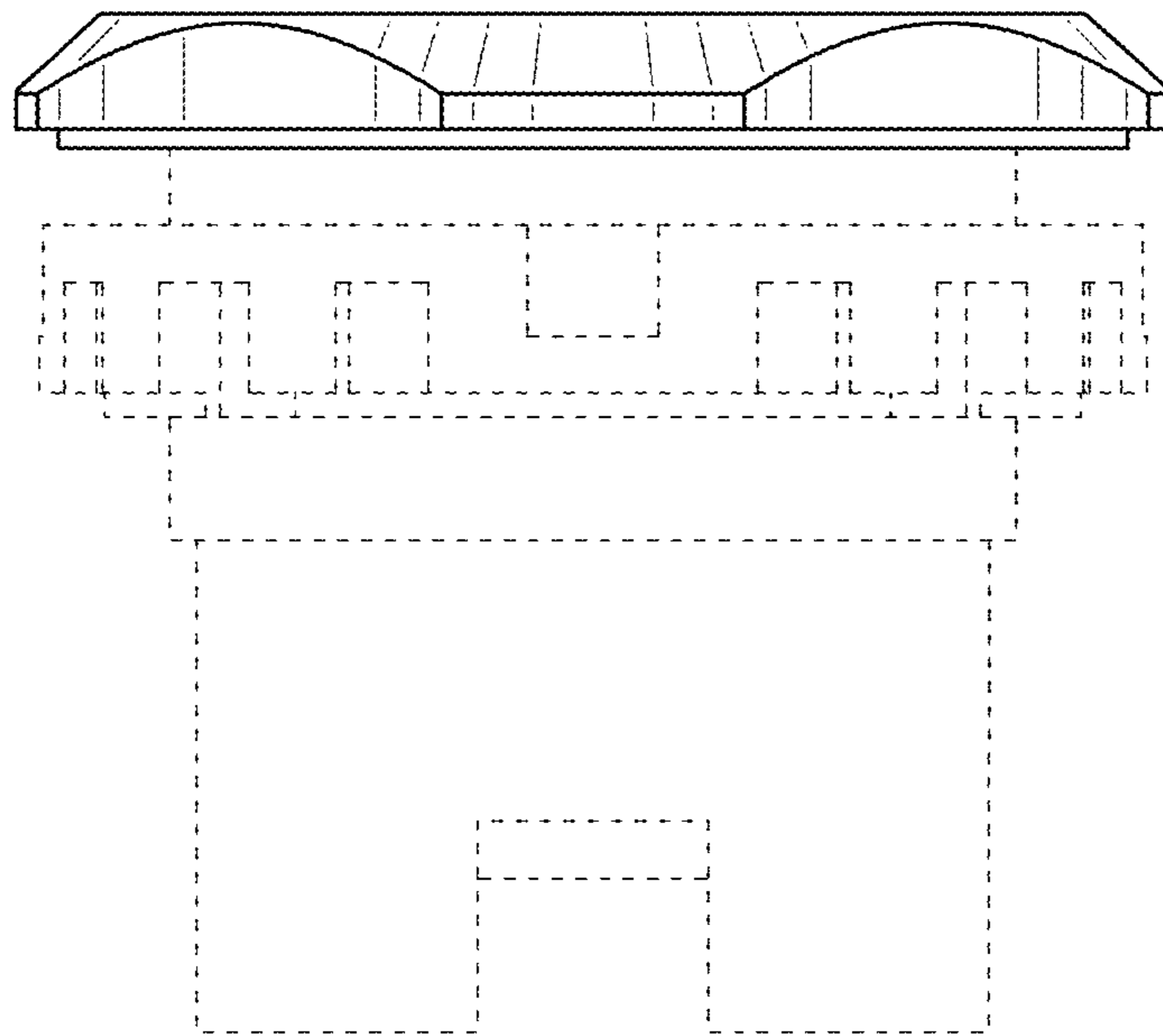


Fig. 4

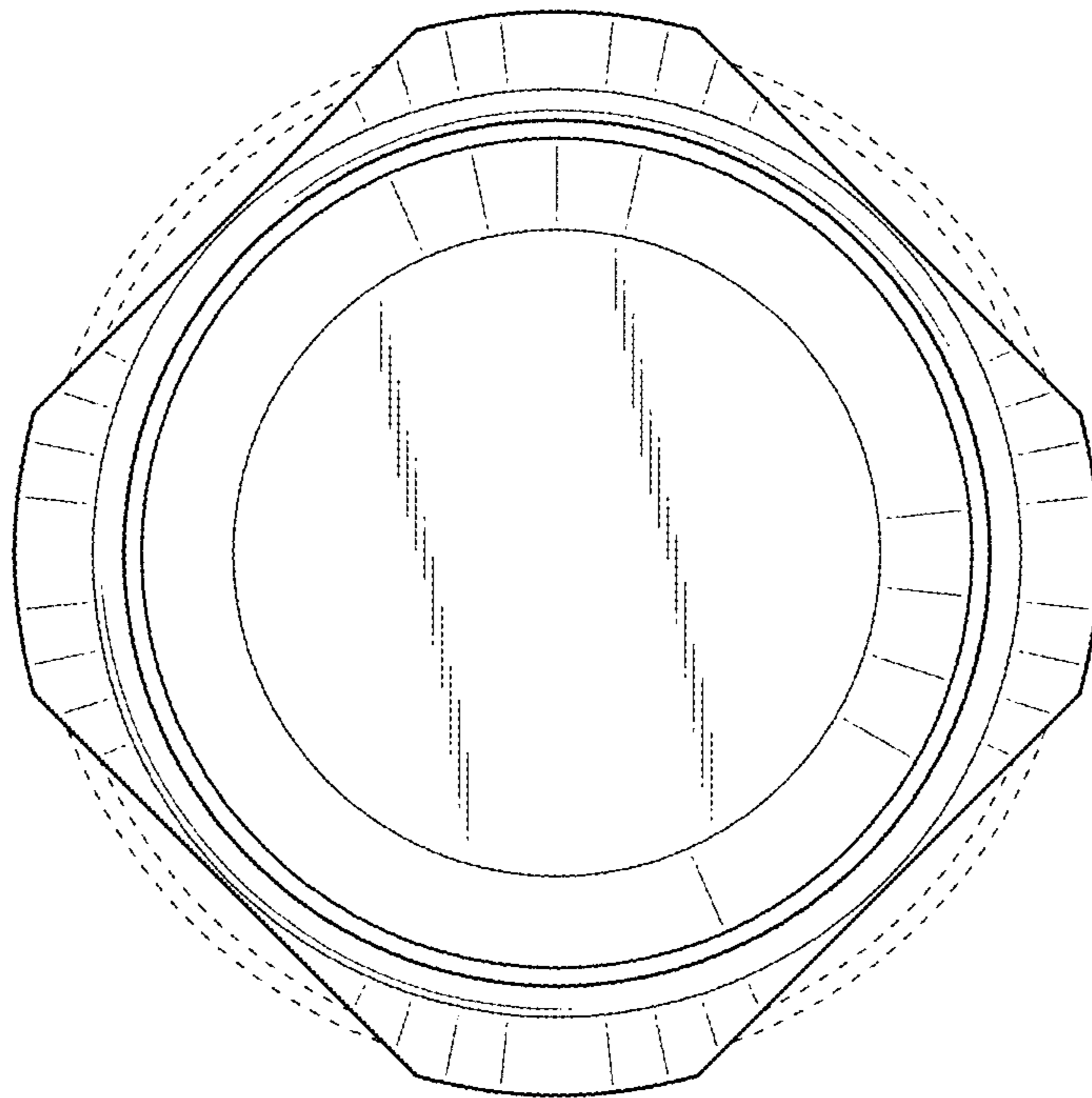


Fig. 5

