



US00D883236S

(12) **United States Design Patent**
Thomsen

(10) **Patent No.:** **US D883,236 S**

(45) **Date of Patent:** **** May 5, 2020**

(54) **HAND CONTROL**

(71) Applicant: **Linak A/S**, Nordborg (DK)

(72) Inventor: **Henrik Agerly Thomsen**, Broager (DK)

(73) Assignee: **LINAK A/S**, Nordborg (DK)

(**) Term: **15 Years**

(21) Appl. No.: **29/685,076**

(22) Filed: **Mar. 26, 2019**

(30) **Foreign Application Priority Data**

Oct. 5, 2018 (DK) 2018 00134

(51) **LOC (12) Cl.** **14-03**

(52) **U.S. Cl.**
USPC **D13/168**

(58) **Field of Classification Search**
USPC D13/168; D14/218; D24/200
CPC .. A47C 31/008; A61G 13/02; G07C 9/00944;
G08C 17/00; G08C 17/02; H04B 1/202;
H01H 9/02; H01H 9/0214; H01H 9/0235;
H01H 9/0242

See application file for complete search history.

(56) **References Cited**

U.S. PATENT DOCUMENTS

D572,205 S * 7/2008 Landerholm D13/168
D617,744 S * 6/2010 Landerholm D13/168
D766,845 S * 9/2016 Gong D13/168
D767,511 S * 9/2016 Gong D13/168
D817,279 S * 5/2018 Lin D13/123

(Continued)

OTHER PUBLICATIONS

Data Sheet for TiMotion—TH26 Series Controls (4 pgs.) <https://www.timotion.com/en/product/detail/controls/th26-series?upcls=1481523032&guid=1494473962>, with date of Aug. 11, 2017.

(Continued)

Primary Examiner — Selina Sikder

(74) *Attorney, Agent, or Firm* — Dykema Gossett PLLC

(57) **CLAIM**

The ornamental design for a hand control, as shown and described.

DESCRIPTION

FIG. 1 is a perspective front side view of a first embodiment of a hand control seen from the bottom with a hook mounted to the rear side;

FIG. 2 is a perspective rear side view seen from the bottom with a hook mounted to the rear side;

FIG. 3 is a front side view;

FIG. 4 is a rear side view with a hook mounted to the rear side;

FIG. 5 is a right side view with a hook mounted to the rear side;

FIG. 6 is a left side view with a hook mounted to the rear side;

FIG. 7 is a top end view with a hook mounted to the rear side;

FIG. 8 is a bottom end view with a hook mounted to the rear side;

FIG. 9 is a perspective front side view of a second embodiment of a hand control seen from the bottom;

FIG. 10 is a perspective rear side view seen from the bottom;

FIG. 11 is a front side view;

FIG. 12 is a rear side view;

FIG. 13 is a right side view;

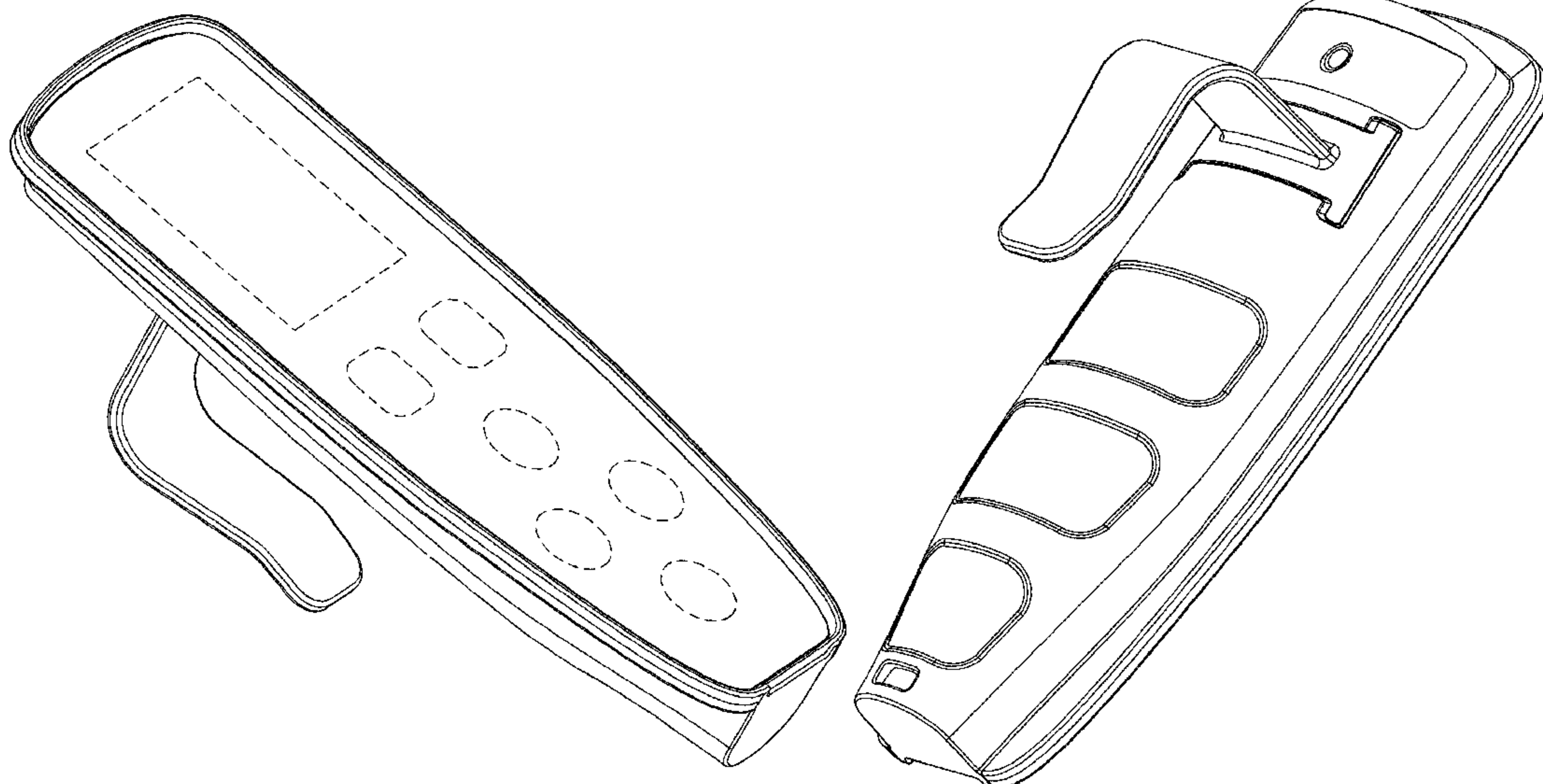
FIG. 14 is a left side view;

FIG. 15 is a top end view; and,

FIG. 16 is a bottom end view.

The broken lines shown in the drawings illustrate unclaimed portions of the hand control and form no part of the claimed design.

1 Claim, 16 Drawing Sheets



(56)

References Cited

U.S. PATENT DOCUMENTS

D849,699 S * 5/2019 Shen D13/168
D868,037 S * 11/2019 Zhuang D14/218
2009/0095602 A1* 4/2009 Jensen H01H 9/0214
200/42.02
2009/0160672 A1* 6/2009 Winther H01H 9/0214
340/4.31
2010/0213042 A1* 8/2010 Smidt A47C 31/008
200/5 A

OTHER PUBLICATIONS

Product Brochure for DewertOkin—Styleline Handset (1 pg.) <https://www.dewertokin.com/service/downloads/flyer-brochures/handsets/>, with date of Apr. 2013.

Data Sheet for DewertOkin—Styleline Handset (4 pgs.) <https://www.phoenix-mecano.se/Filer/styleline-en.pdf>, with date of Mar. 2016.

Linak Healthcare Beds Product Brochure (12 pgs.) with date of Dec. 2016.

Data Sheet for Linak—Hand Control HB80 (2 pgs.) retrieved from <https://web.archive.org/web/20170529203004/https://www.linak-us.com/products/controls.aspx?product=HB80> (Wayback Machine) with date of May 29, 2017.

Data Sheet for Linak—Hand Control HB80 (8 pgs.) <https://www.linak-us.com/products/controls/hb80/#/productdatasheet>, with date of 2018.

* cited by examiner

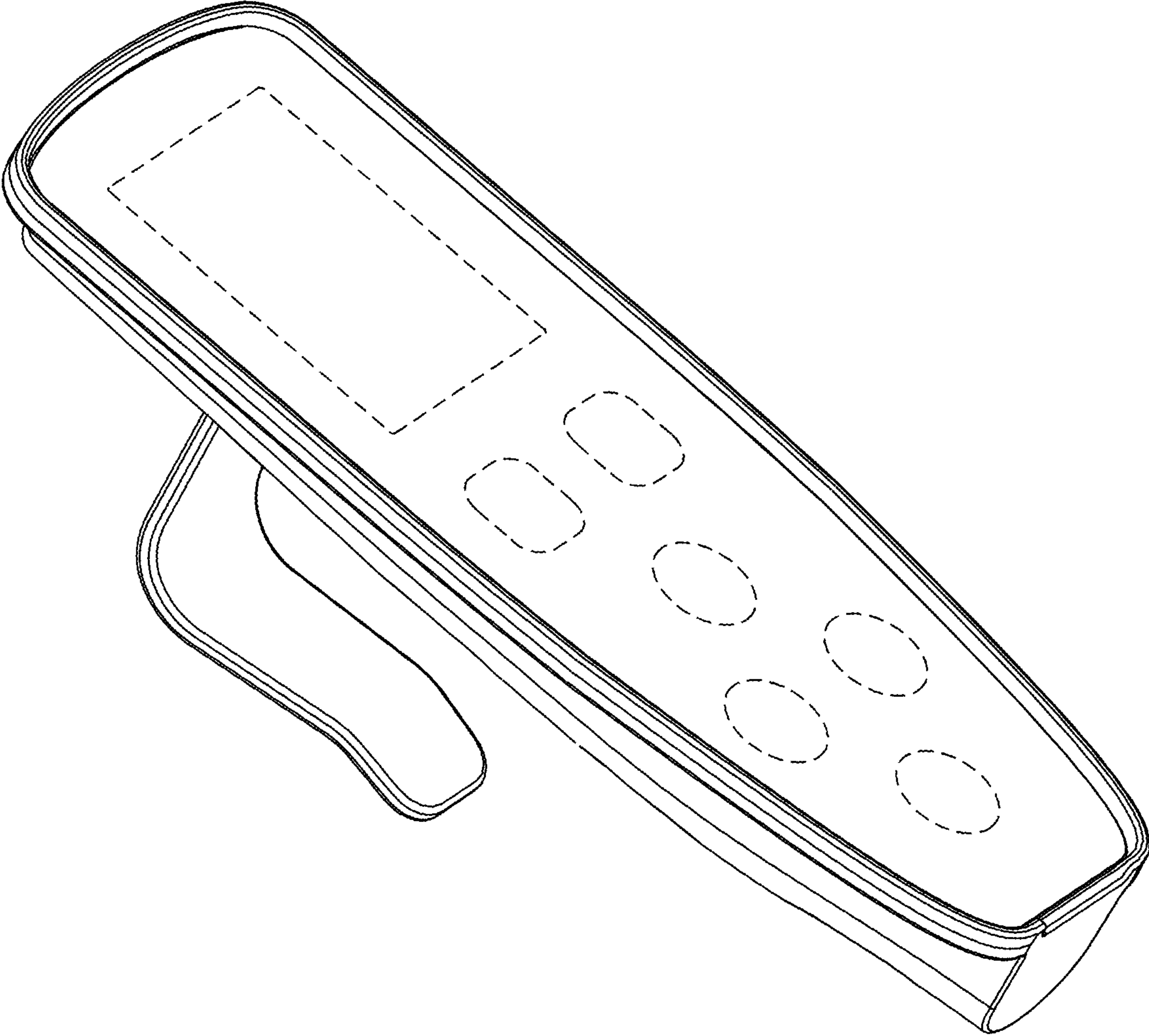


Fig. 1

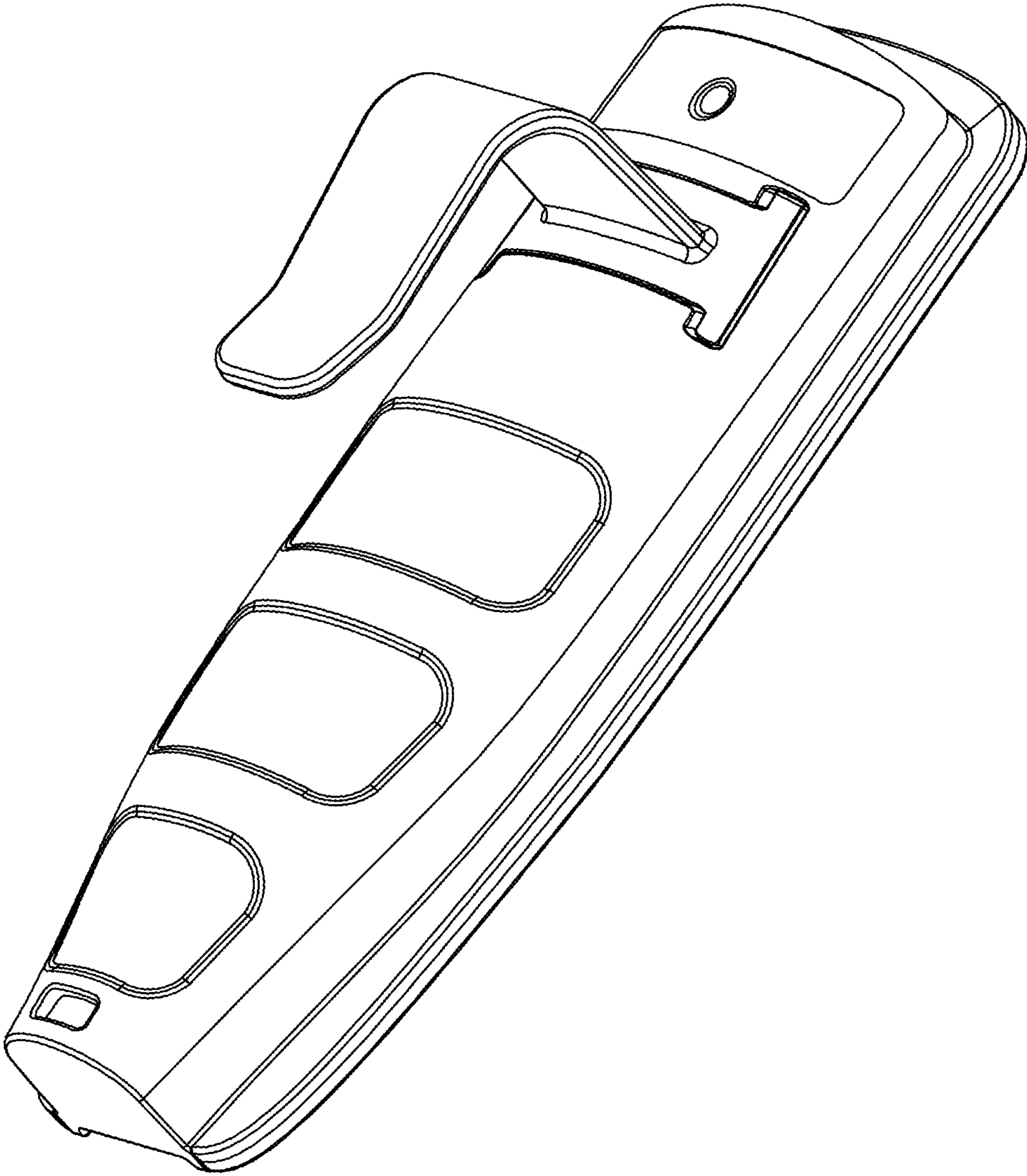


Fig. 2

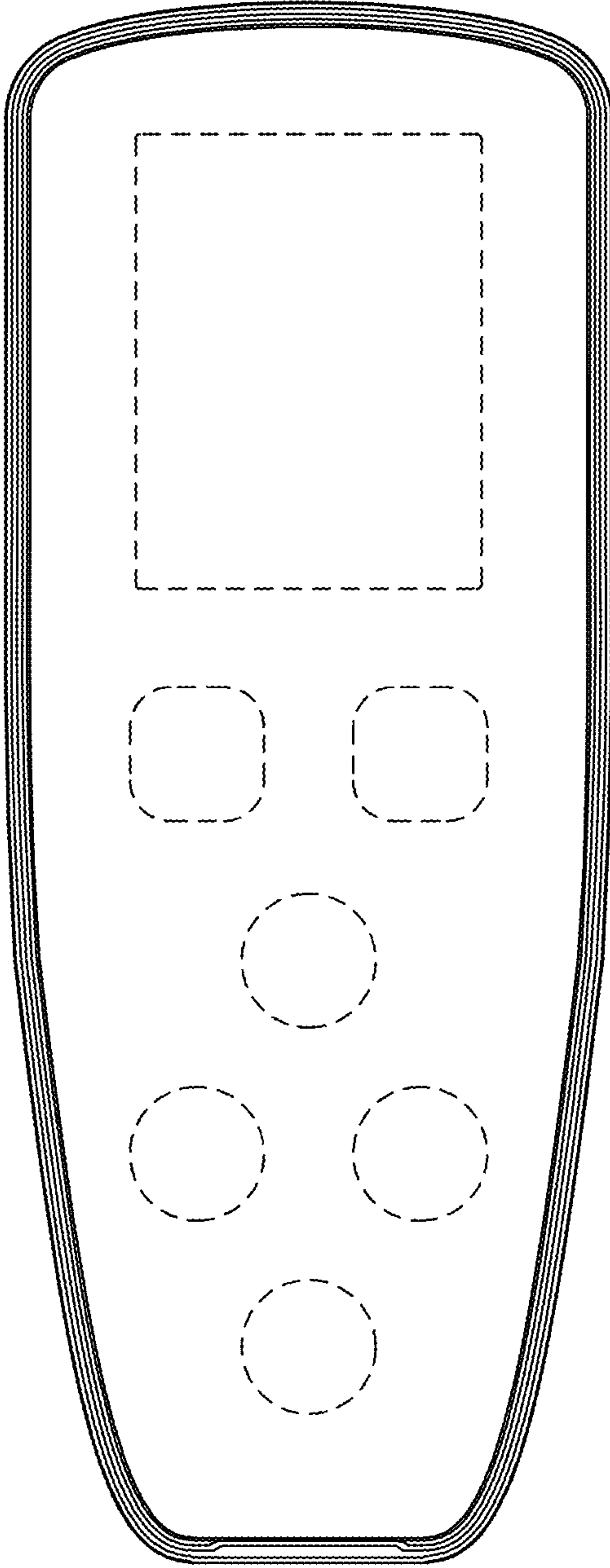


Fig. 3

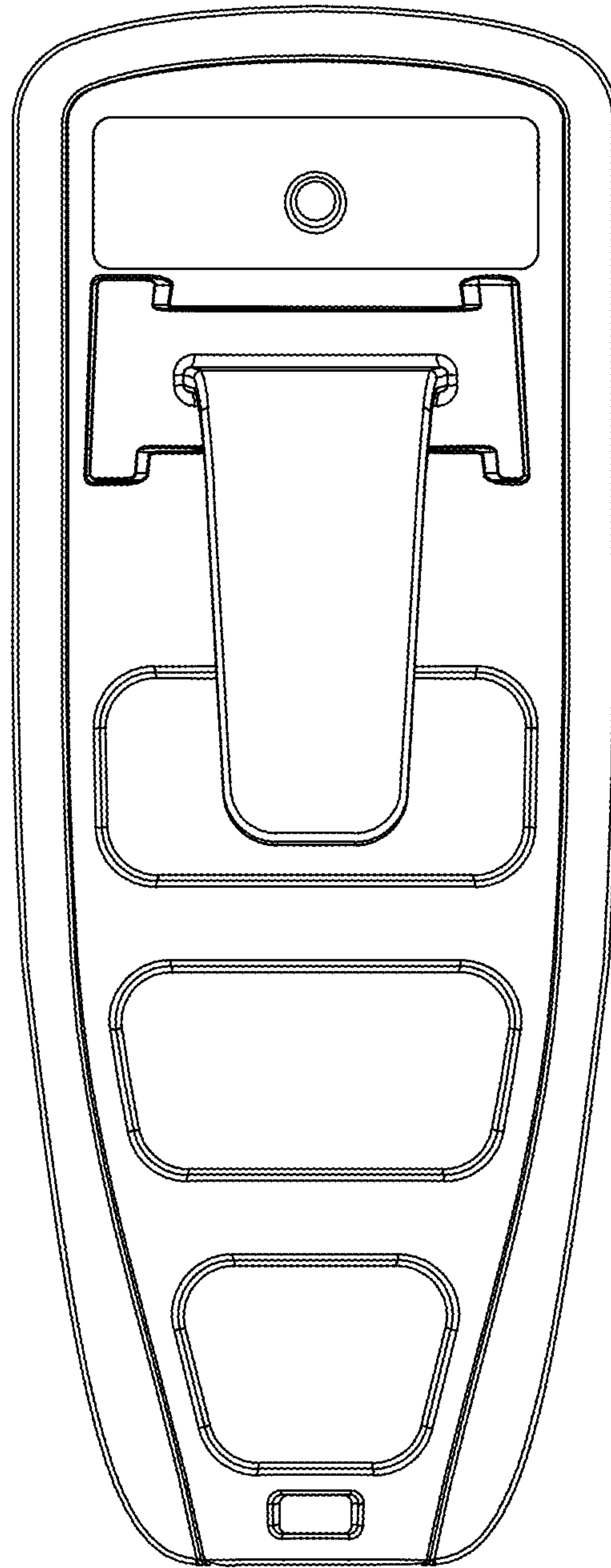


Fig. 4

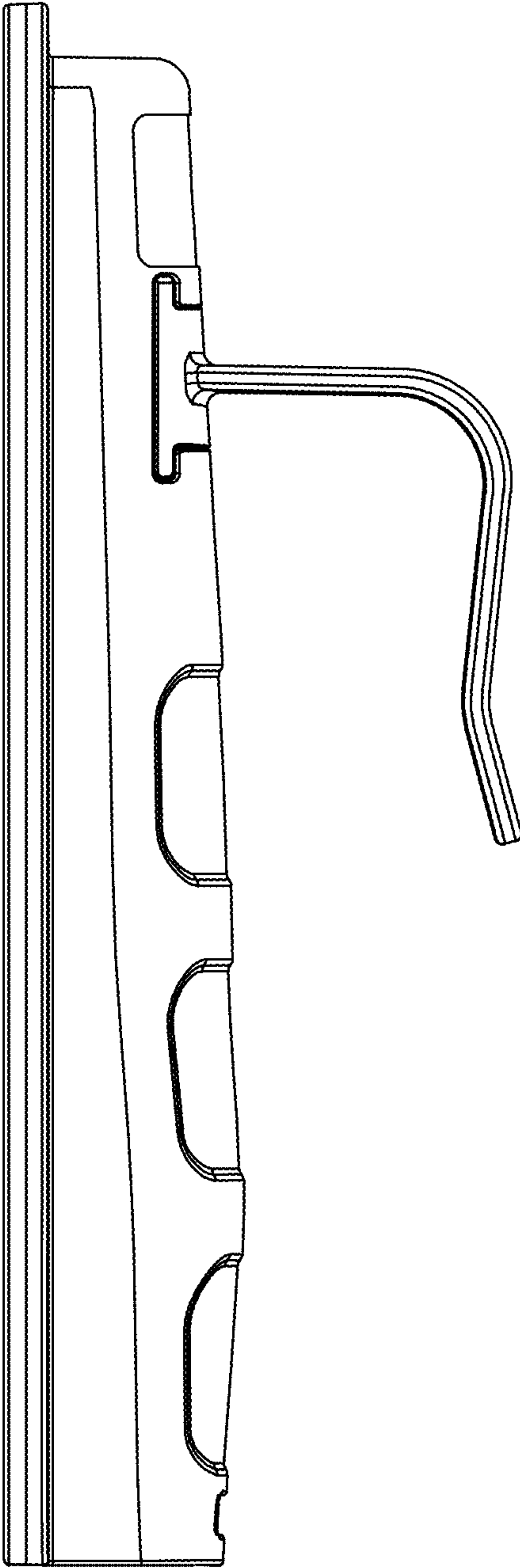


Fig. 5

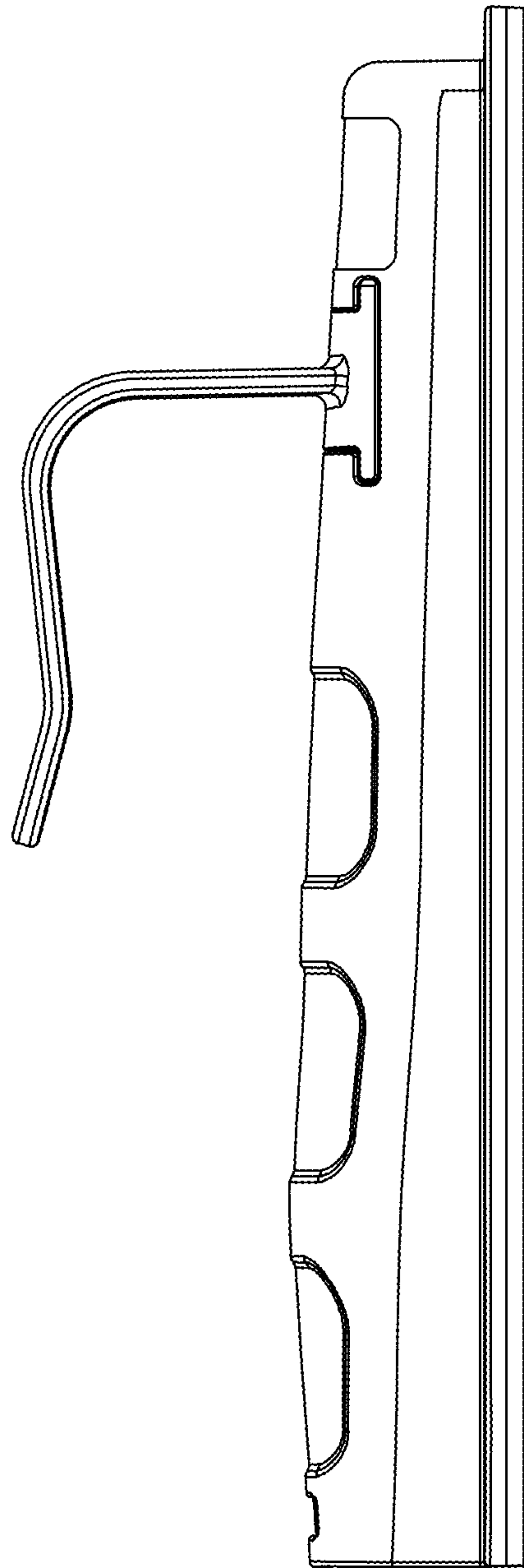


Fig. 6

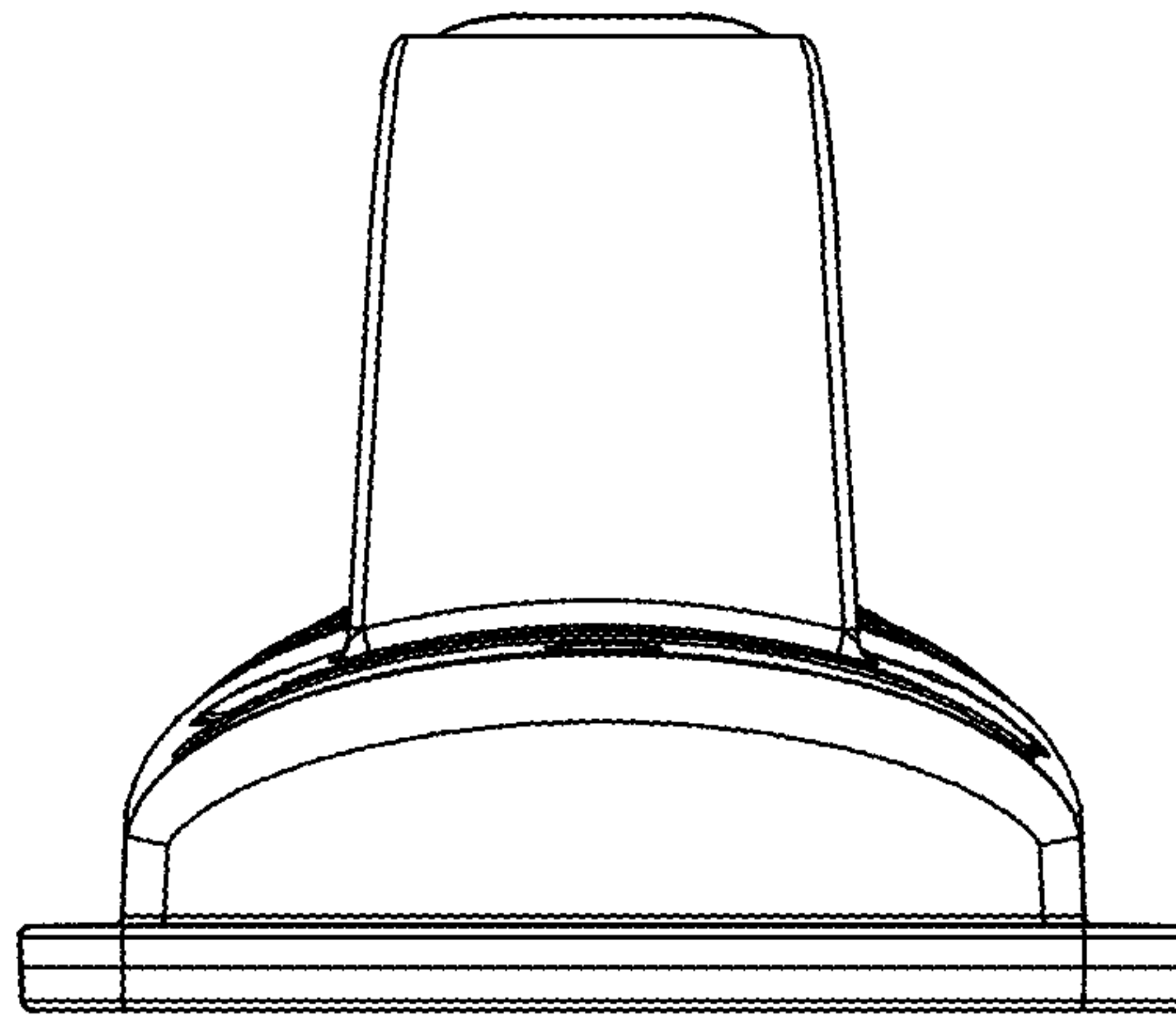


Fig. 7

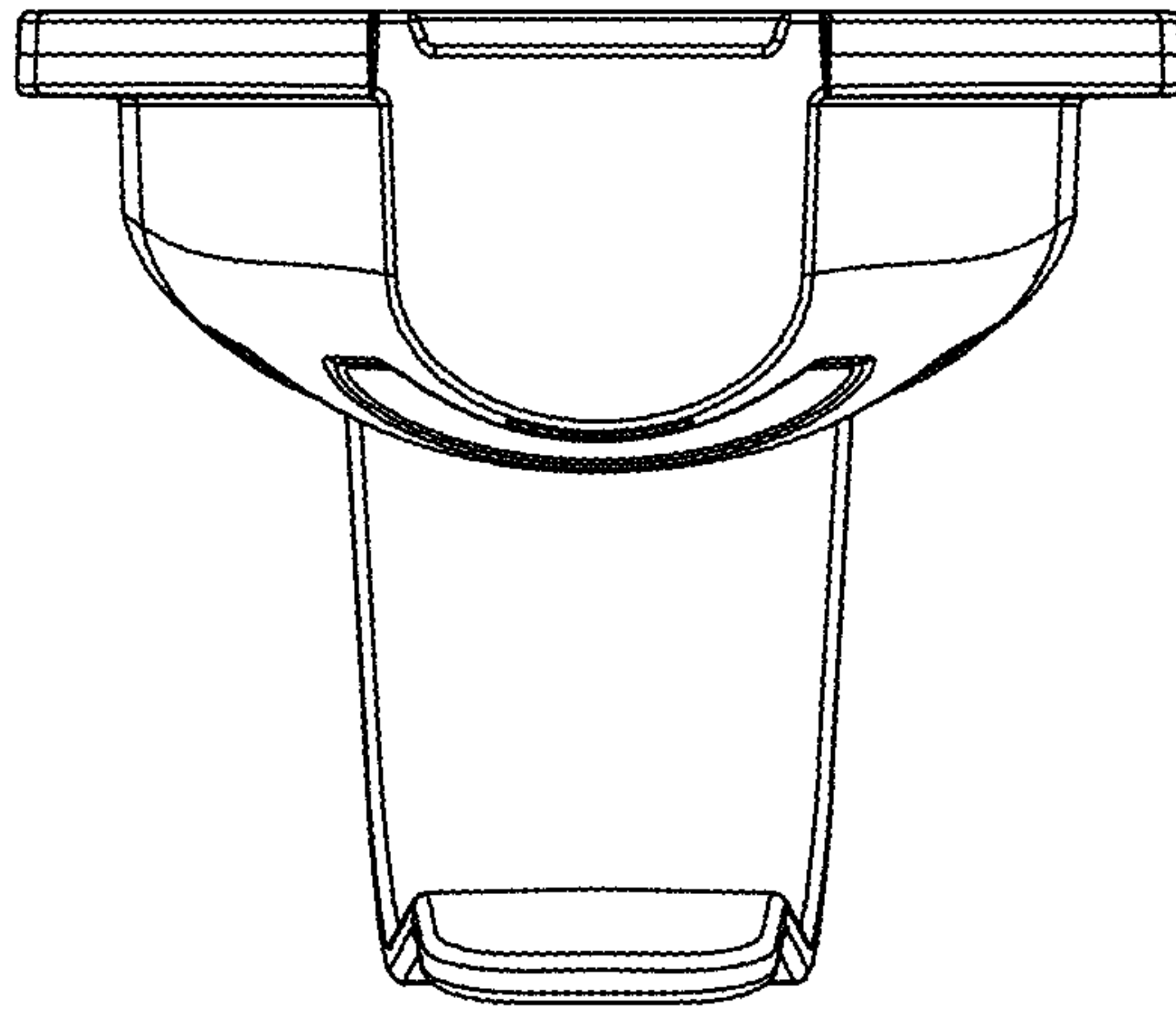


Fig. 8

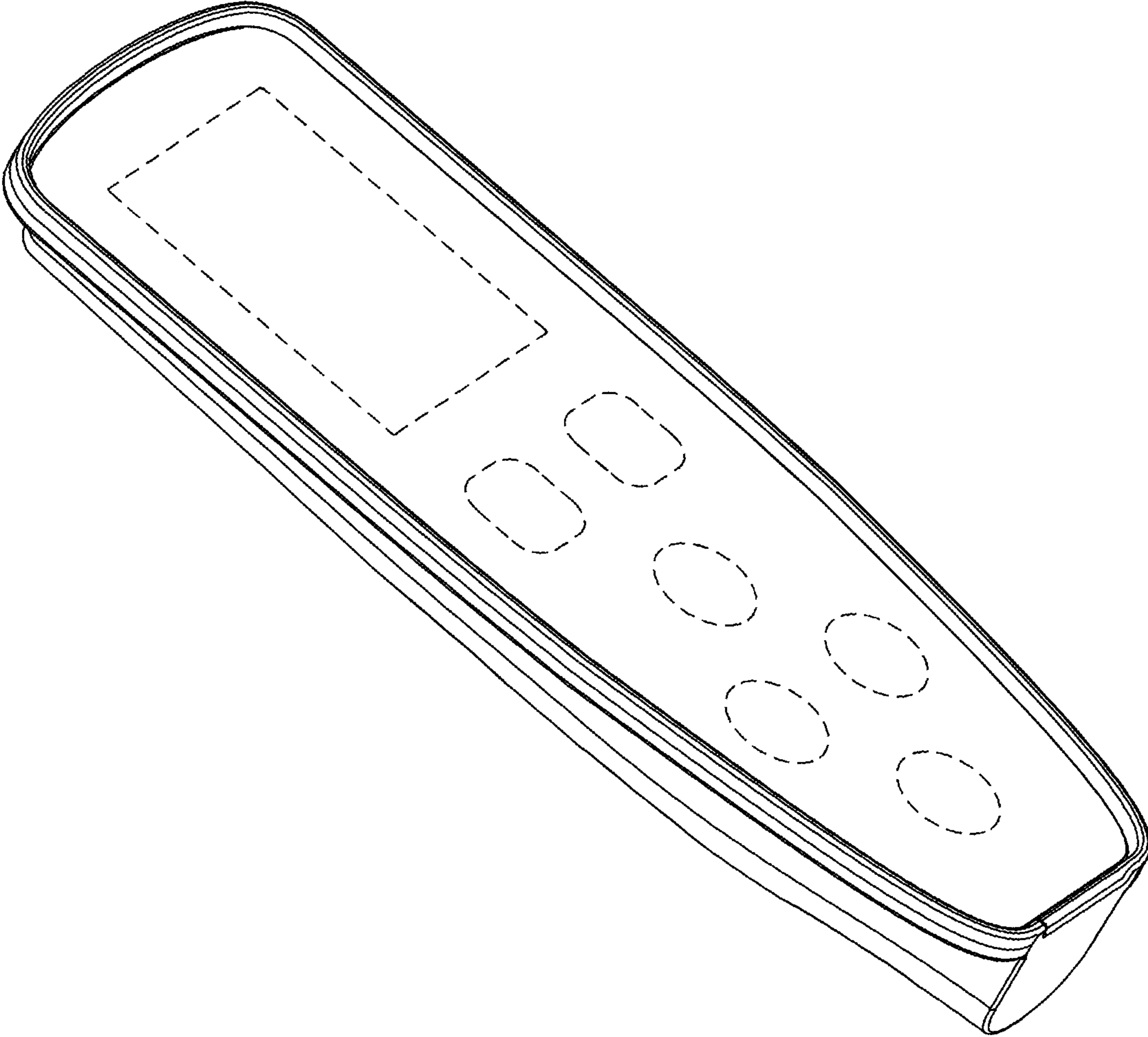


Fig. 9

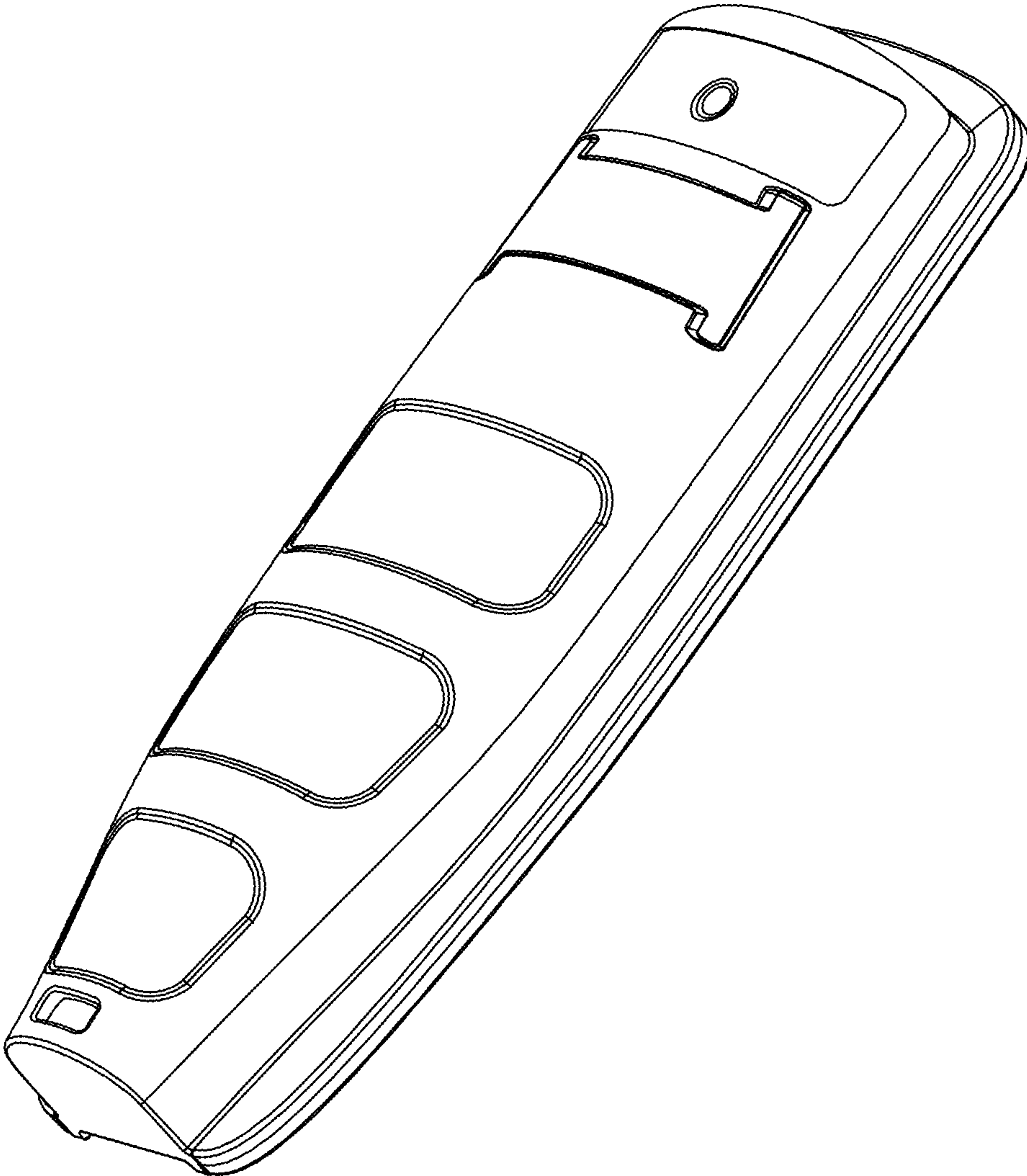


Fig. 10

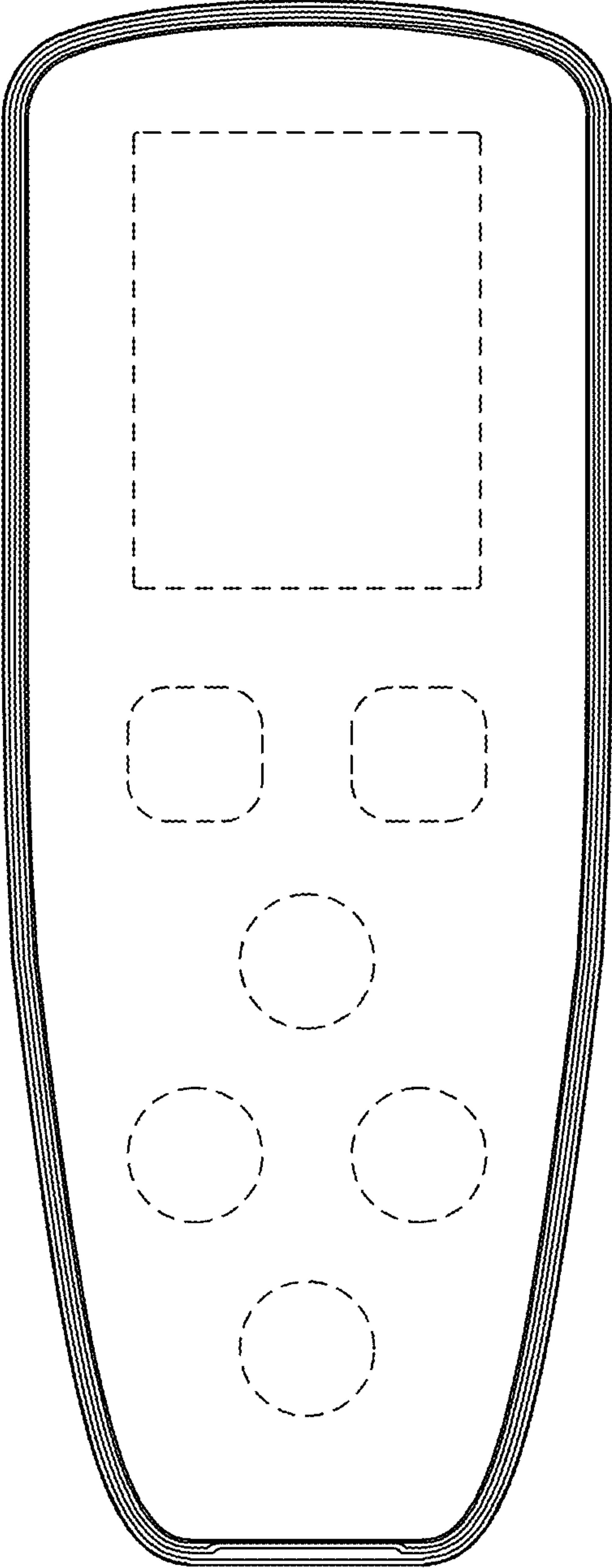


Fig. 11

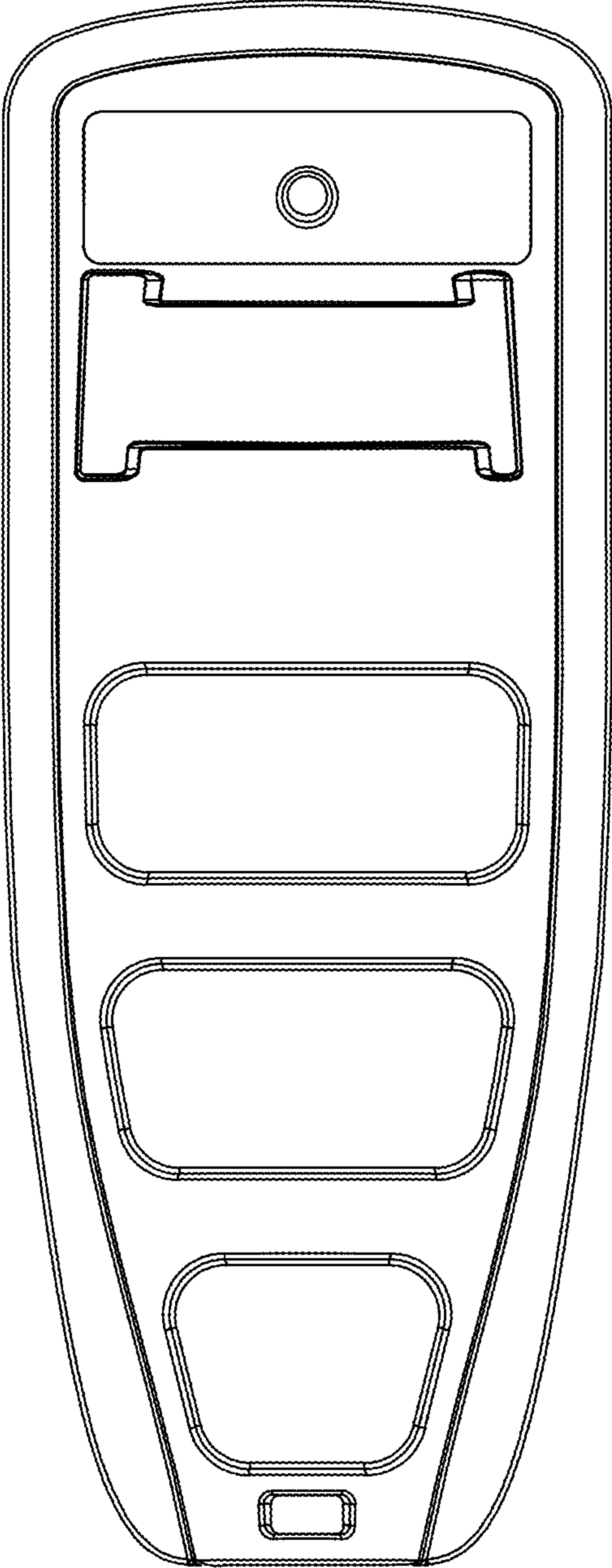


Fig. 12

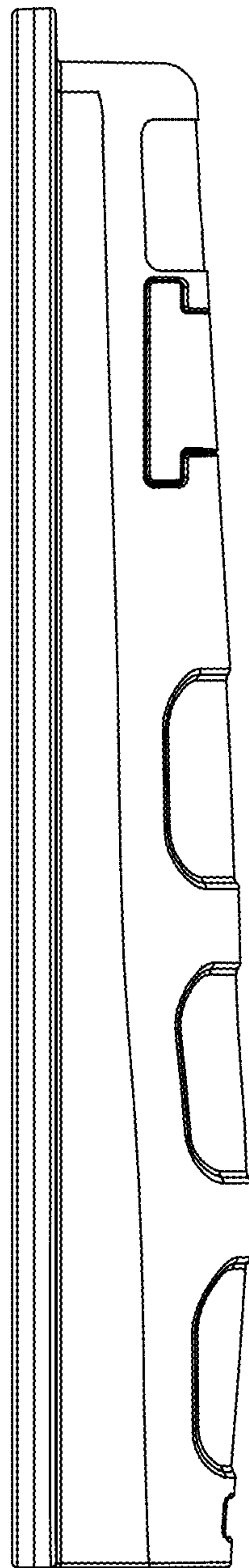


Fig. 13

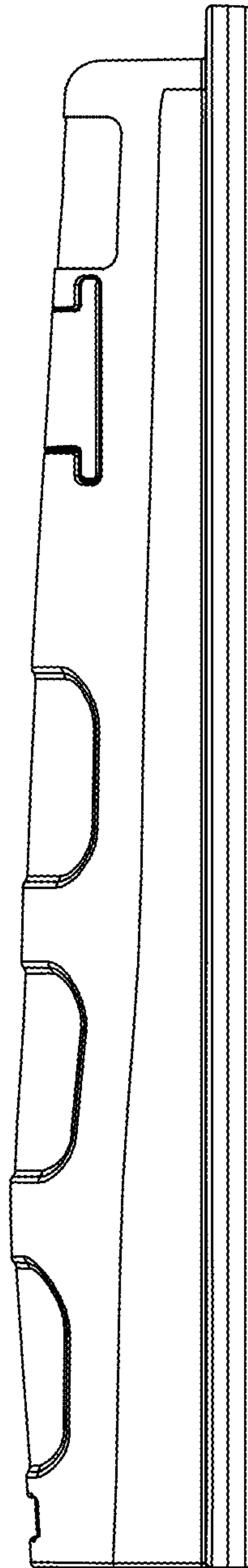


Fig. 14



Fig. 15

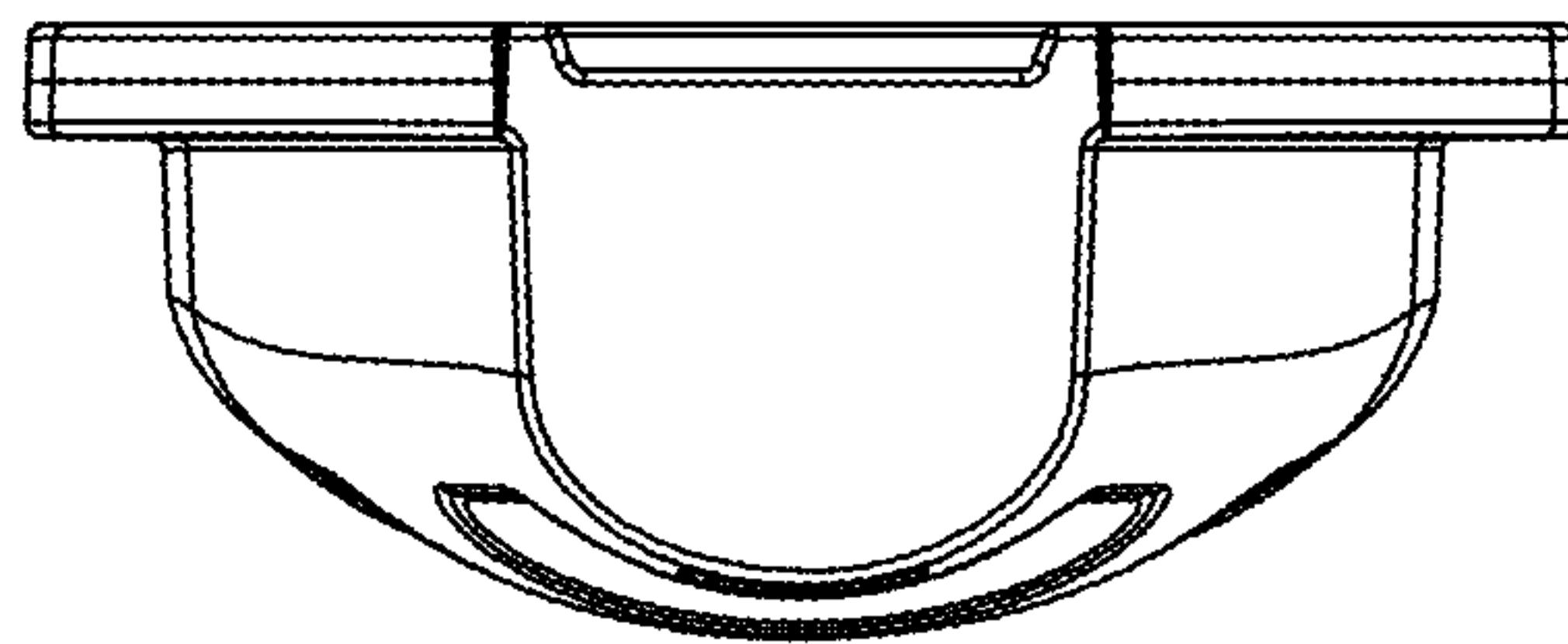


Fig. 16