



US00D883234S

(12) **United States Design Patent**
Gumina et al.

(10) **Patent No.:** **US D883,234 S**
(45) **Date of Patent:** **** May 5, 2020**

(54) **WIRING DEVICE**

(71) Applicant: **LEVITON MANUFACTURING CO., INC.**, Melville, NY (US)

(72) Inventors: **Ronald J. Gumina**, Mandeville, LA (US); **Aaron Ard**, Ponchatoula, LA (US); **James Shurte**, New Orleans, LA (US); **Carlos Salazar**, North Babylon, NY (US); **Jason Gillard**, Mandeville, LA (US)

(73) Assignee: **Leviton Manufacturing Co., Inc.**, Melville, NY (US)

(**) Term: **15 Years**

(21) Appl. No.: **29/669,290**

(22) Filed: **Nov. 7, 2018**

Related U.S. Application Data

(63) Continuation of application No. PCT/US2018/059333, filed on Nov. 6, 2018.

(51) **LOC (12) Cl.** **13-03**

(52) **U.S. Cl.**
USPC **D13/162; D13/177**

(58) **Field of Classification Search**
USPC **D13/162, 164, 174, 177; D10/40; D26/26**

(Continued)

(56) **References Cited**

U.S. PATENT DOCUMENTS

D310,814 S 9/1990 Rosenbaum et al.
D310,815 S 9/1990 Watson et al.

(Continued)

FOREIGN PATENT DOCUMENTS

WO 2018148315 A1 8/2018

OTHER PUBLICATIONS

U.S. Appl. No. 62/455,973 Specification, Claims, Abstract, Drawings with Filing Receipt, filed Feb. 7, 2017.

(Continued)

Primary Examiner — Selina Sikder

(57) **CLAIM**

The ornamental design for a wiring device, as shown and described.

DESCRIPTION

FIG. 1 is a front, perspective view of a wiring device showing our new design with features illustrated in broken lines for illustrative purposes and thus not constituting a part of the claimed design;

FIG. 2 is a front view of the wiring device of FIG. 1;

FIG. 3 is a front, perspective view of an alternate embodiment of a wiring device showing our new design with features illustrated in broken lines for illustrative purposes and thus not constituting a part of the claimed design;

FIG. 4 is a front view of the wiring device of FIG. 3;

FIG. 5 is a front, perspective view of an alternate embodiment of a wiring device showing our new design with features illustrated in broken lines for illustrative purposes and thus not constituting a part of the claimed design;

FIG. 6 is a front view of the wiring device of FIG. 5;

FIG. 7 is a back view of the wiring device of FIGS. 1, 3 and 5;

FIG. 8 is a left side view of the wiring device of FIGS. 1, 3 and 5;

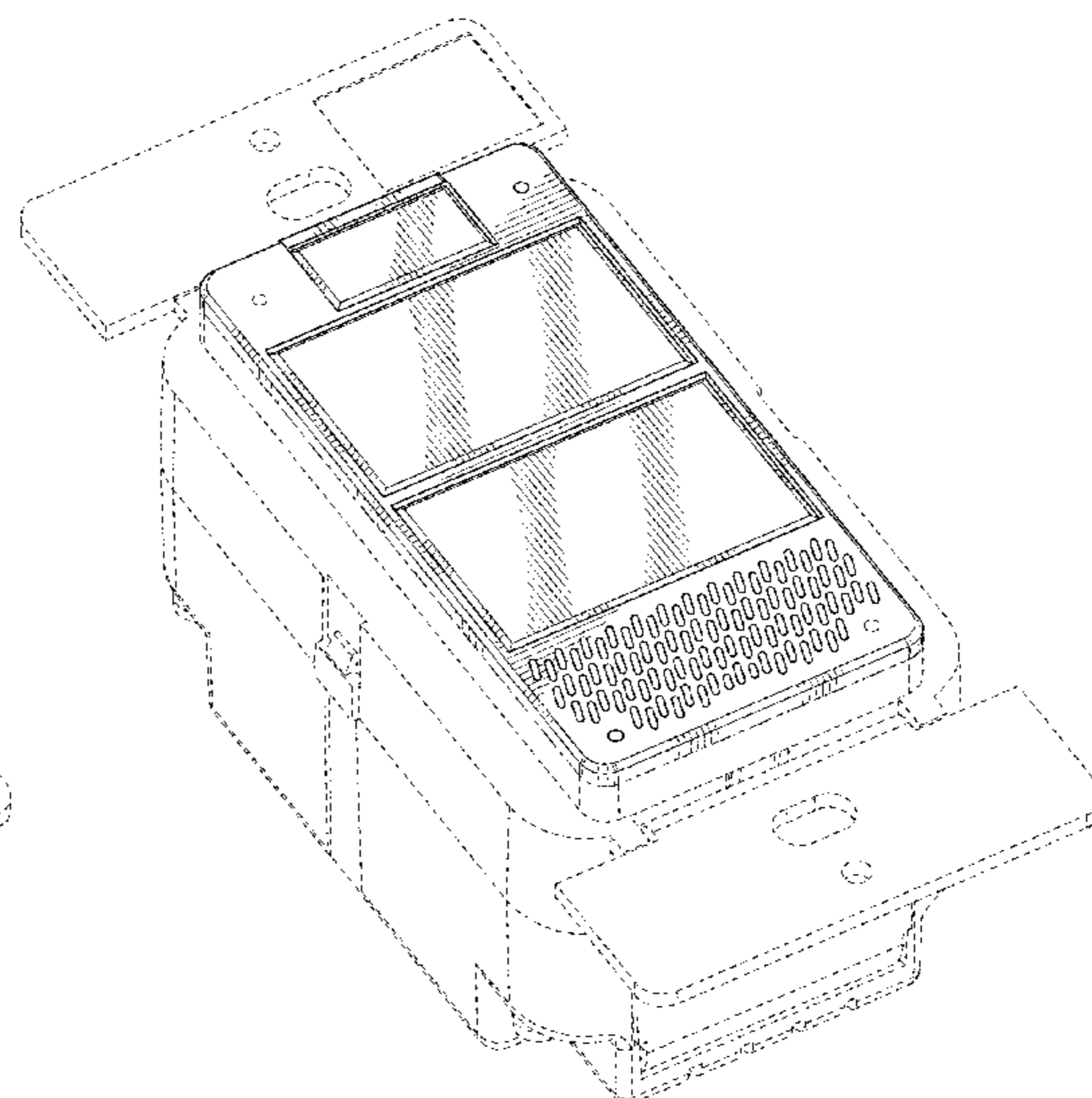
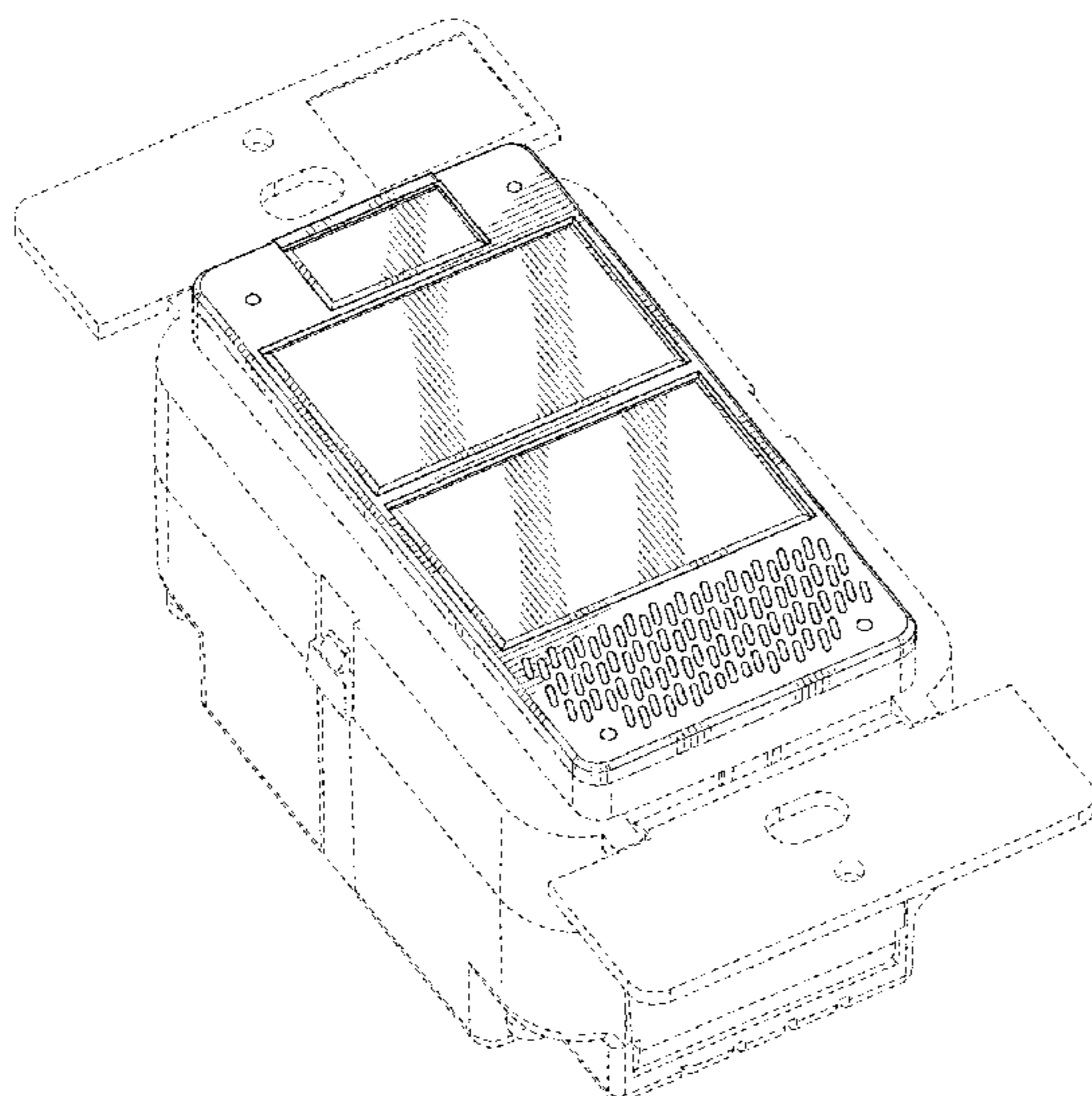
FIG. 9 is a right side view of the wiring device of FIGS. 1, 3 and 5;

FIG. 10 is a top view of the wiring device of FIGS. 1, 3 and 5; and,

FIG. 11 is a bottom view of the wiring device of FIGS. 1, 3 and 5.

The broken lines in the drawings depict portions of the wiring device that form no part of the claimed design.

1 Claim, 11 Drawing Sheets



(58) **Field of Classification Search**

CPC G04C 23/00; G04C 23/04; G04C 23/26;
 G04C 23/34; G04F 1/005; G04F 10/00;
 H01H 43/00; H01H 2300/03; H05B
 37/0281

See application file for complete search history.

(56) **References Cited**

U.S. PATENT DOCUMENTS

D312,611	S	12/1990	Watson et al.	
D487,063	S *	2/2004	Demster	D13/162
D500,686	S *	1/2005	Stekelenburg	D10/40
D595,664	S *	7/2009	Simard	D13/162
D709,390	S *	7/2014	Ni	D10/40
9,389,769	B1 *	7/2016	O’Keeffe	G06F 1/3262
D768,578	S *	10/2016	Restrepo	D13/162
D799,432	S *	10/2017	McRoberts	D13/162
10,062,533	B2 *	8/2018	Qureshi	G08B 13/2491
D828,311	S *	9/2018	Byrne	D13/177
D830,857	S *	10/2018	Ni	D10/40
10,256,862	B2 *	4/2019	Daigle	H01R 25/006

2004/0130456	A1 *	7/2004	Wu	H01H 9/0271 340/9.1
2008/0001549	A1	1/2008	Altonen et al.	
2010/0140070	A1 *	6/2010	Simard	G04C 23/347 200/33 R
2013/0257315	A1 *	10/2013	Restrepo	H05B 37/0209 315/362
2017/0188437	A1	6/2017	Banta	
2018/0228006	A1	8/2018	Baker et al.	

OTHER PUBLICATIONS

Heater, Brian., “Ecobee is building Alexa into its thermostats and light switches”, <https://techcrunch.com/2017/05/03/ecobee-is-building-alexa-into-its-thermostats-and-light-switches/>, May 3, 2017.

Author unknown., “ecobee_Switch+_ecobee_Smart_Home_Technology2-website_ecobee”, <https://www.ecobee.com/switch-plus/>, downloaded on May 23, 2018.

Petchel, Megan., “iDevices® and Hubbell Incorporated Debut First Co—Developed Technology Products at the 2018 Consumer Electronics Show (CES)” iDevices Blog, Jan. 9, 2018.

* cited by examiner

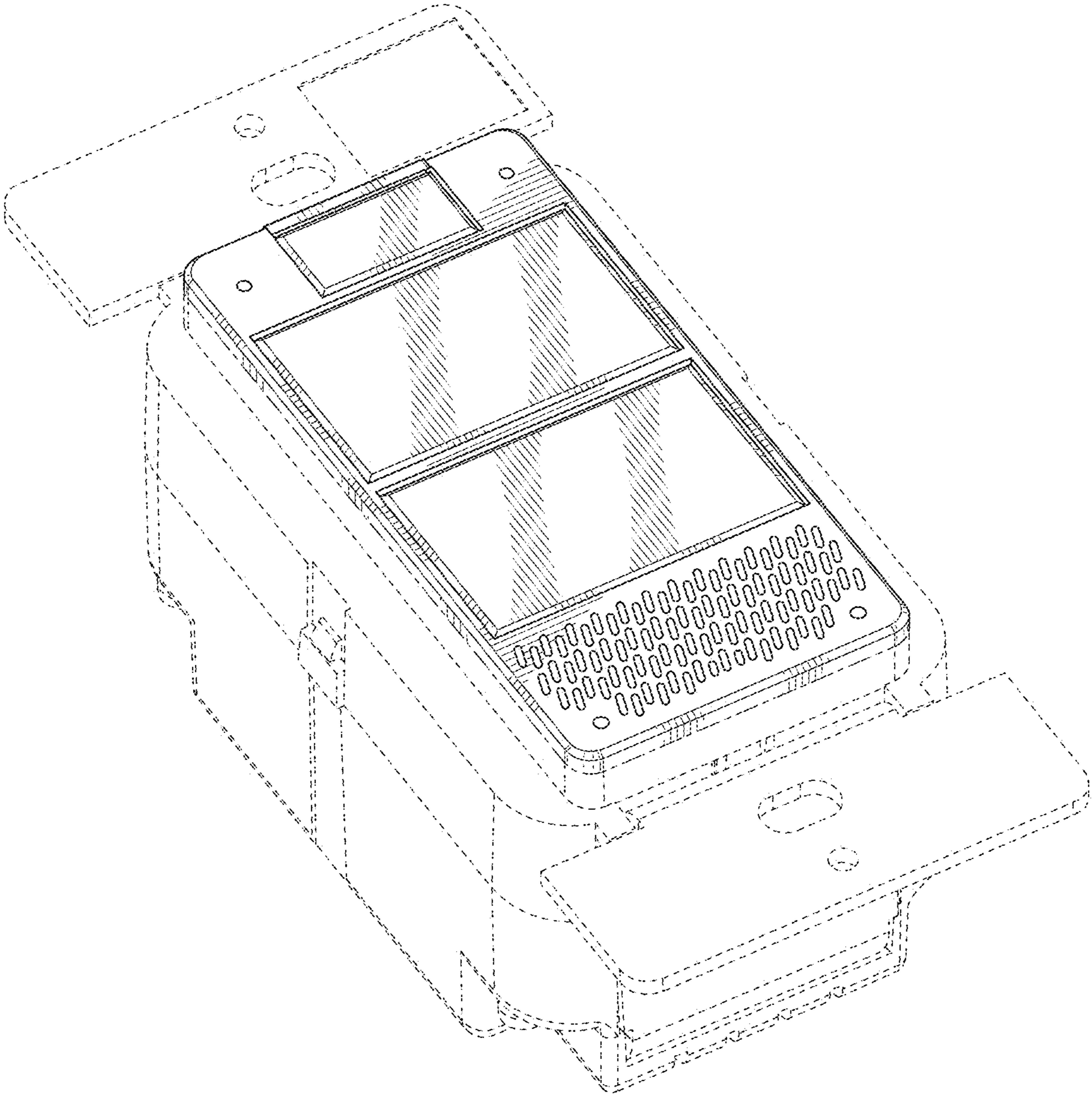


FIG. 1

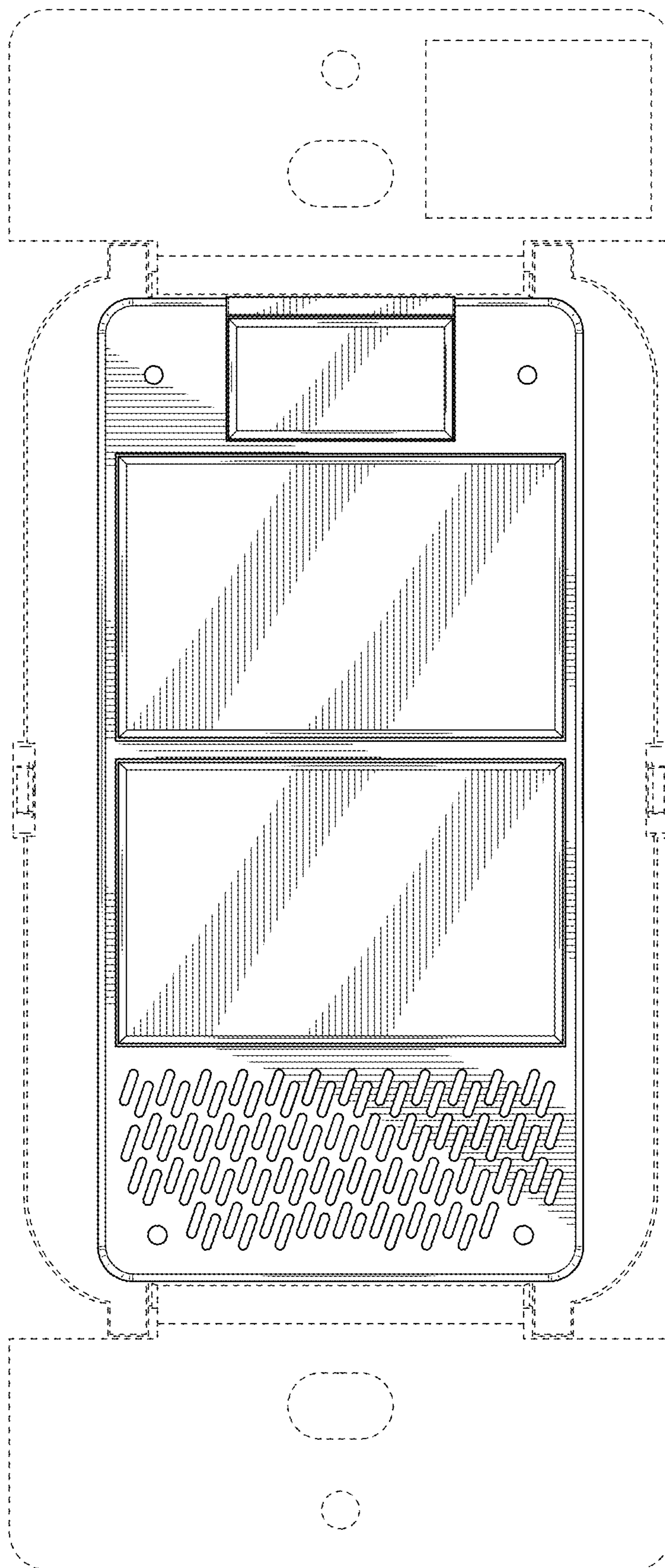


FIG. 2

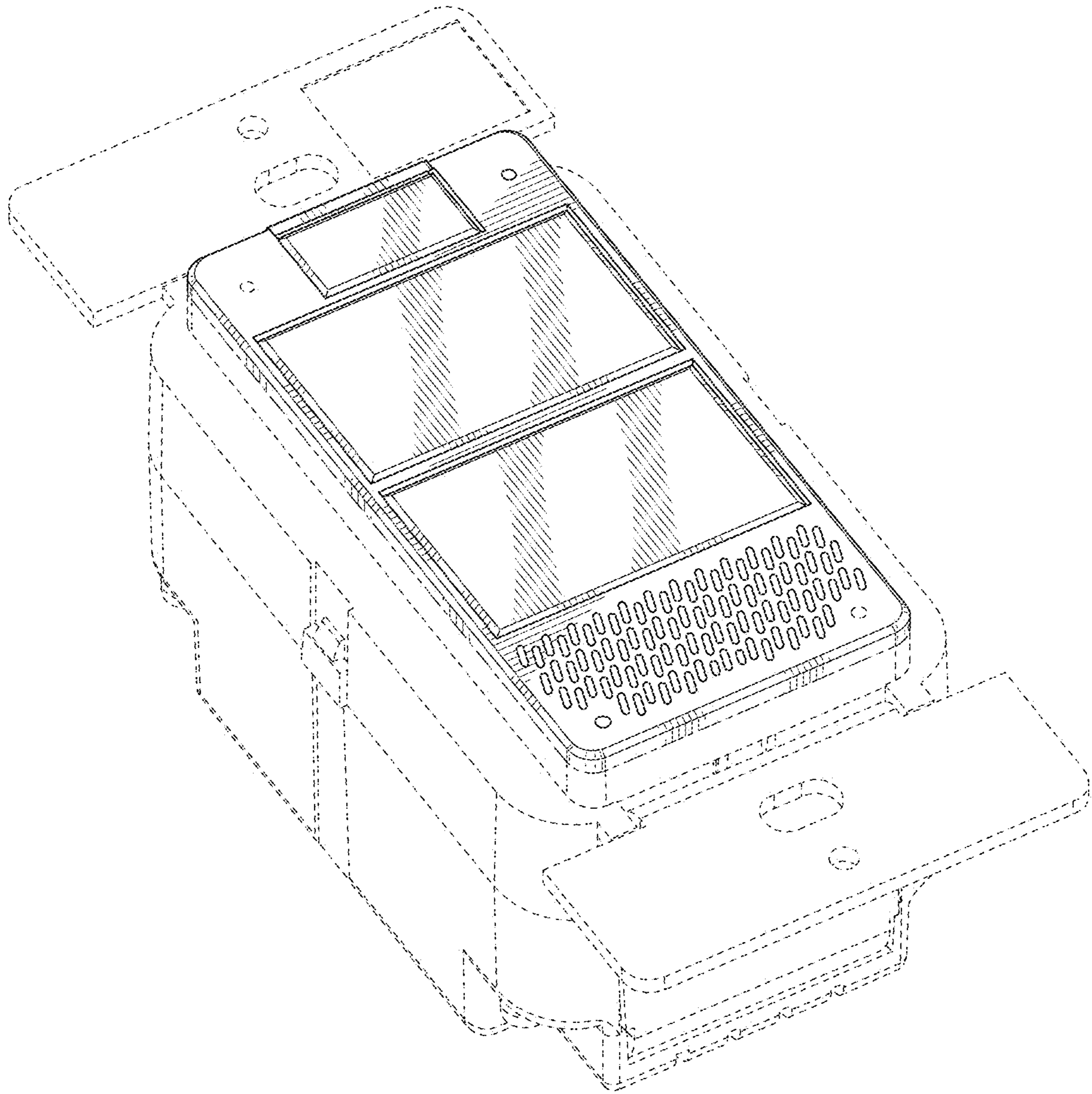


FIG. 3

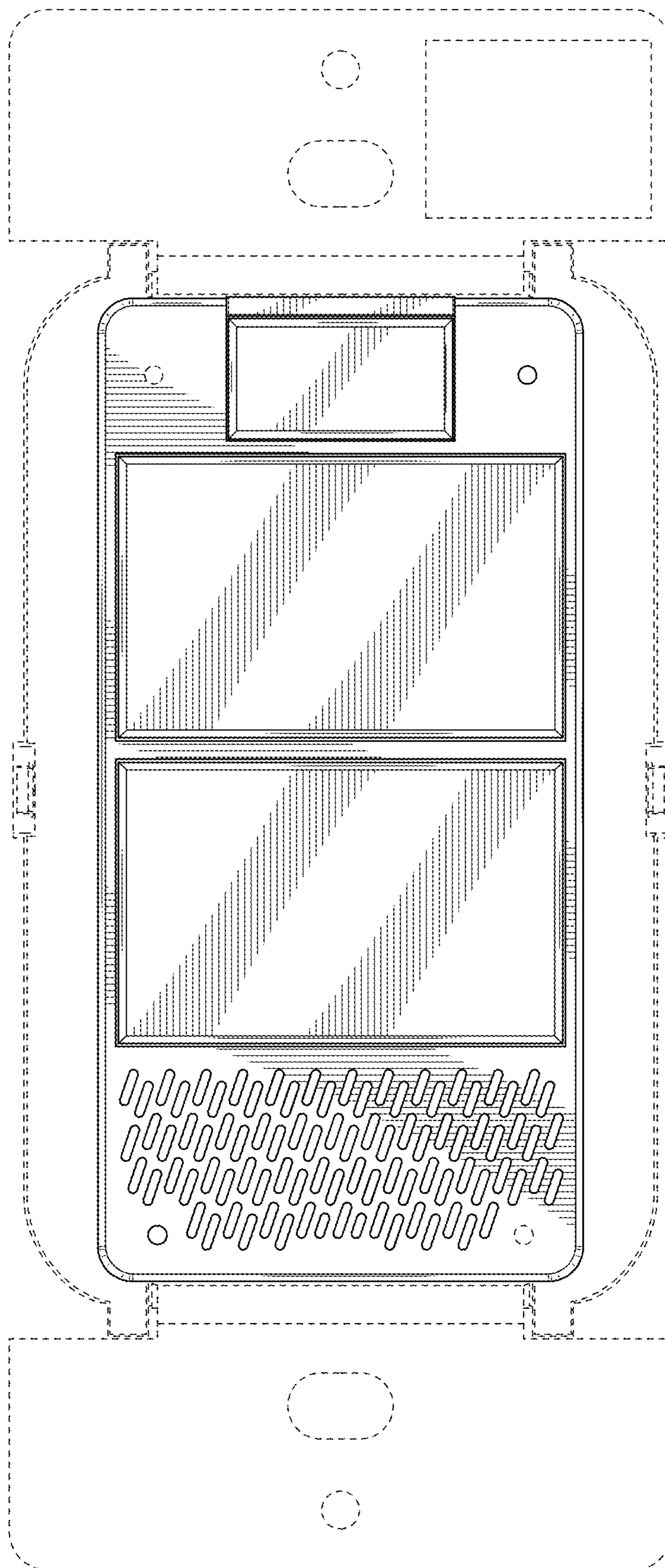


FIG. 4

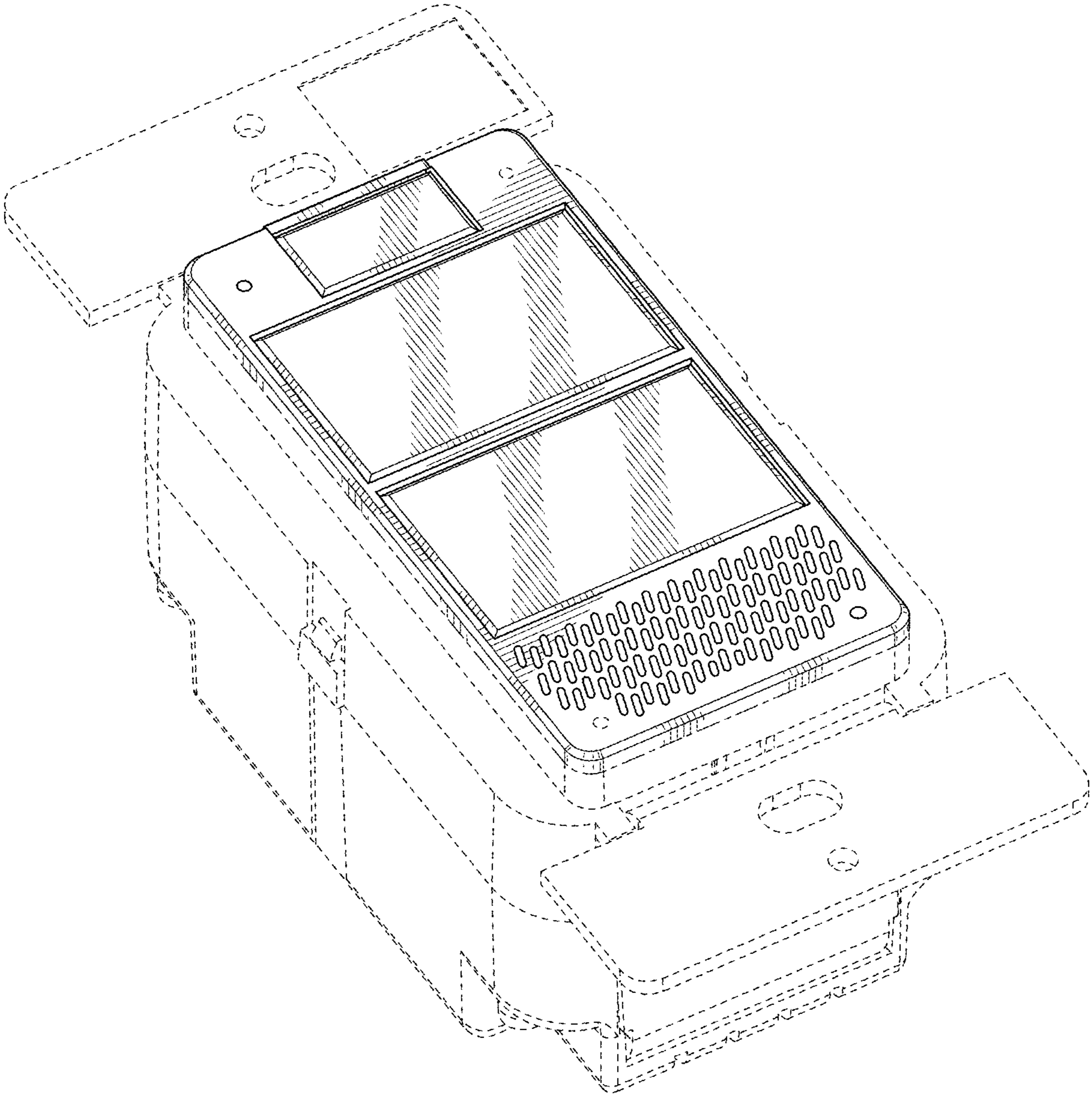


FIG. 5

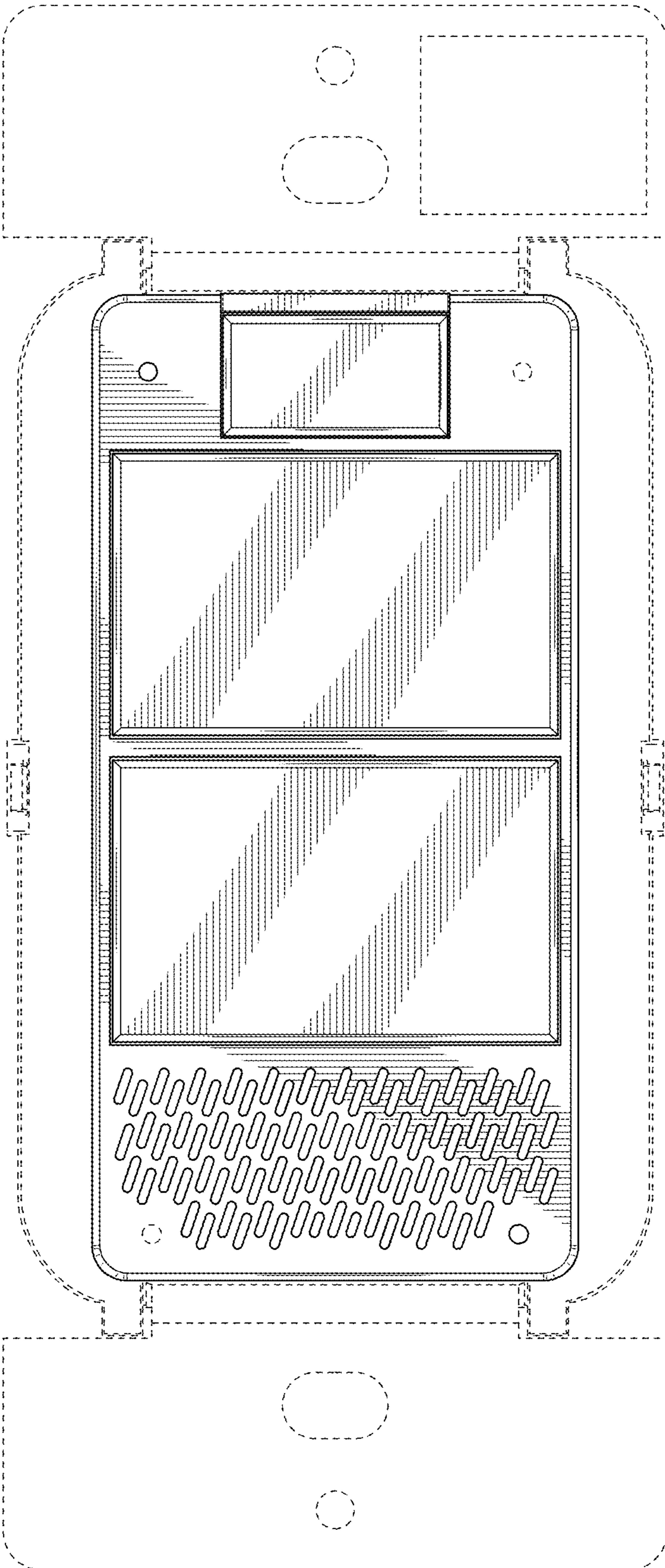


FIG. 6

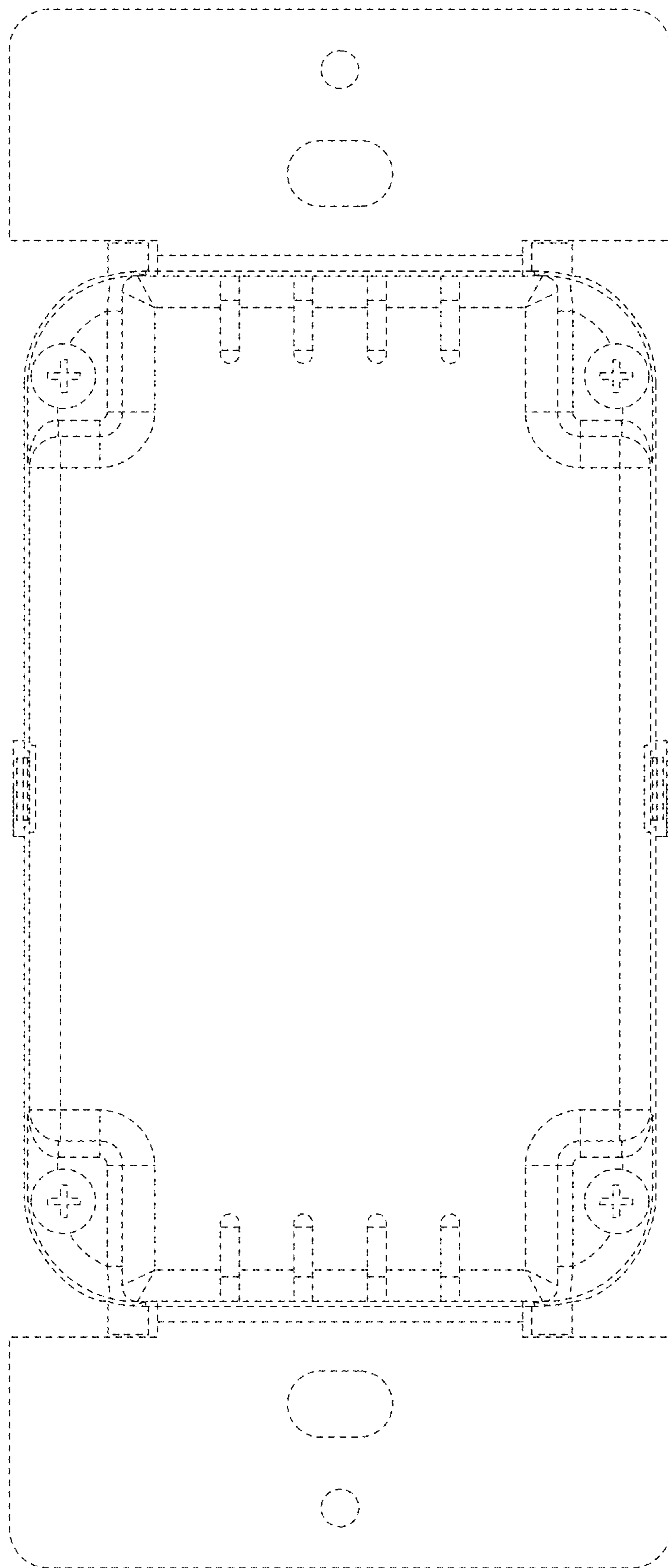


FIG. 7

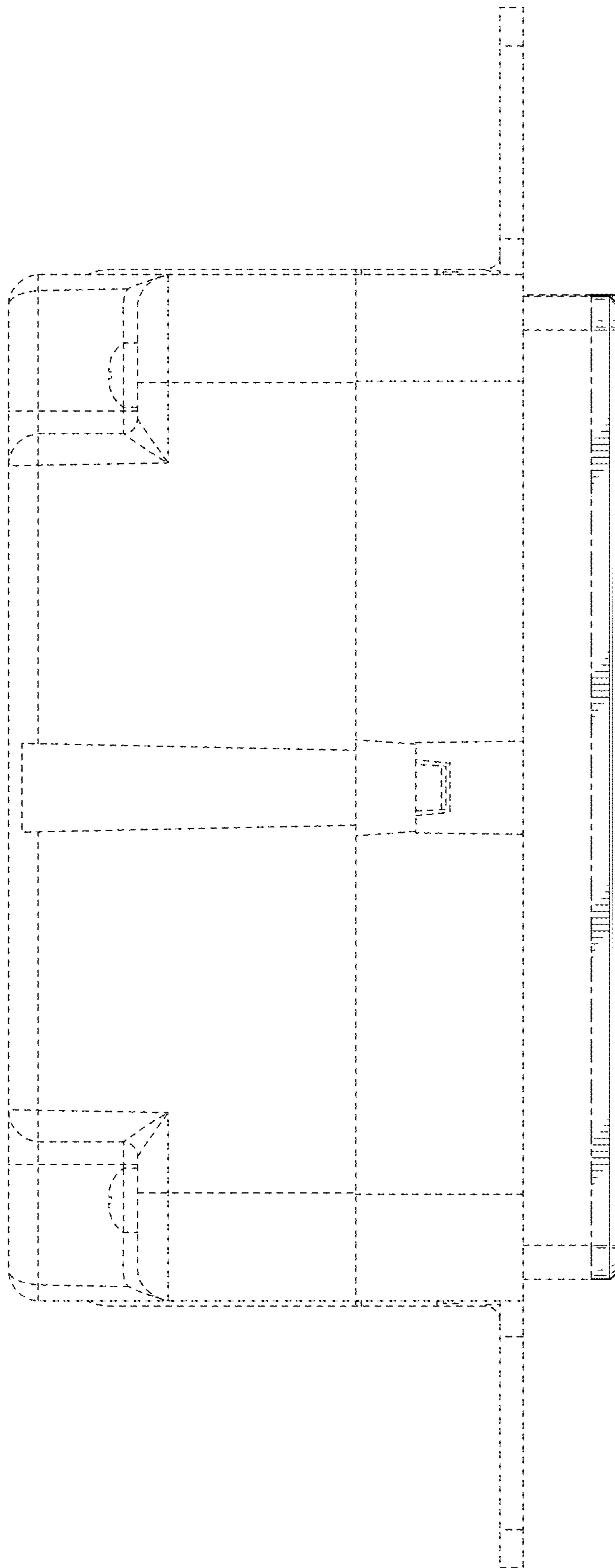


FIG. 8

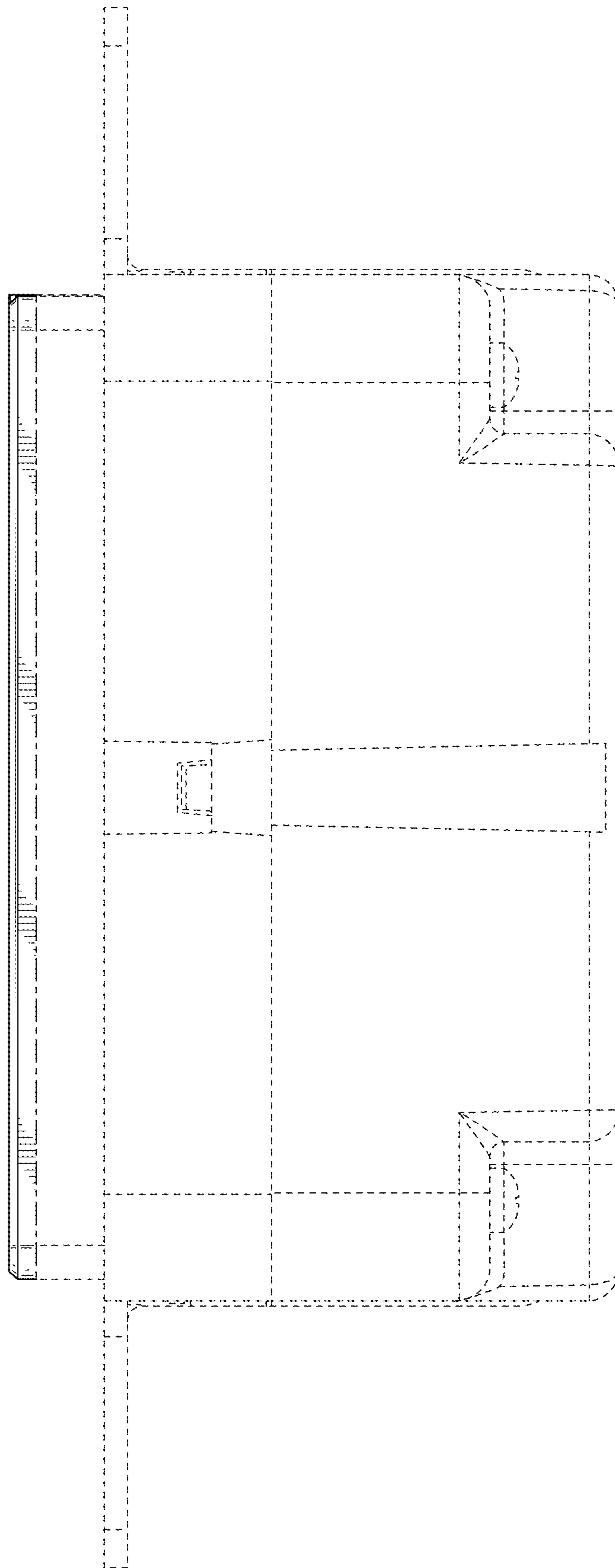


FIG. 9

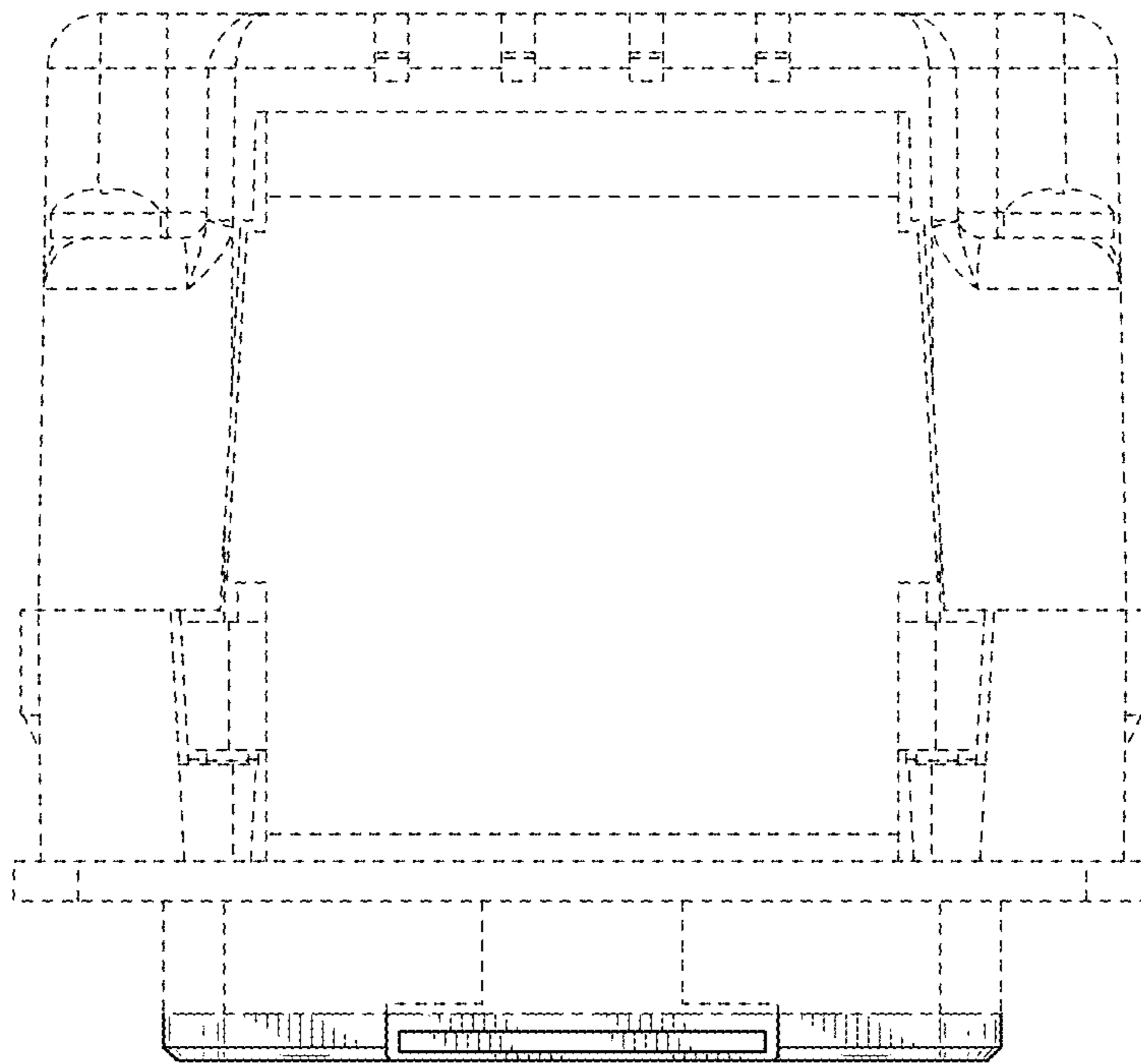


FIG. 10

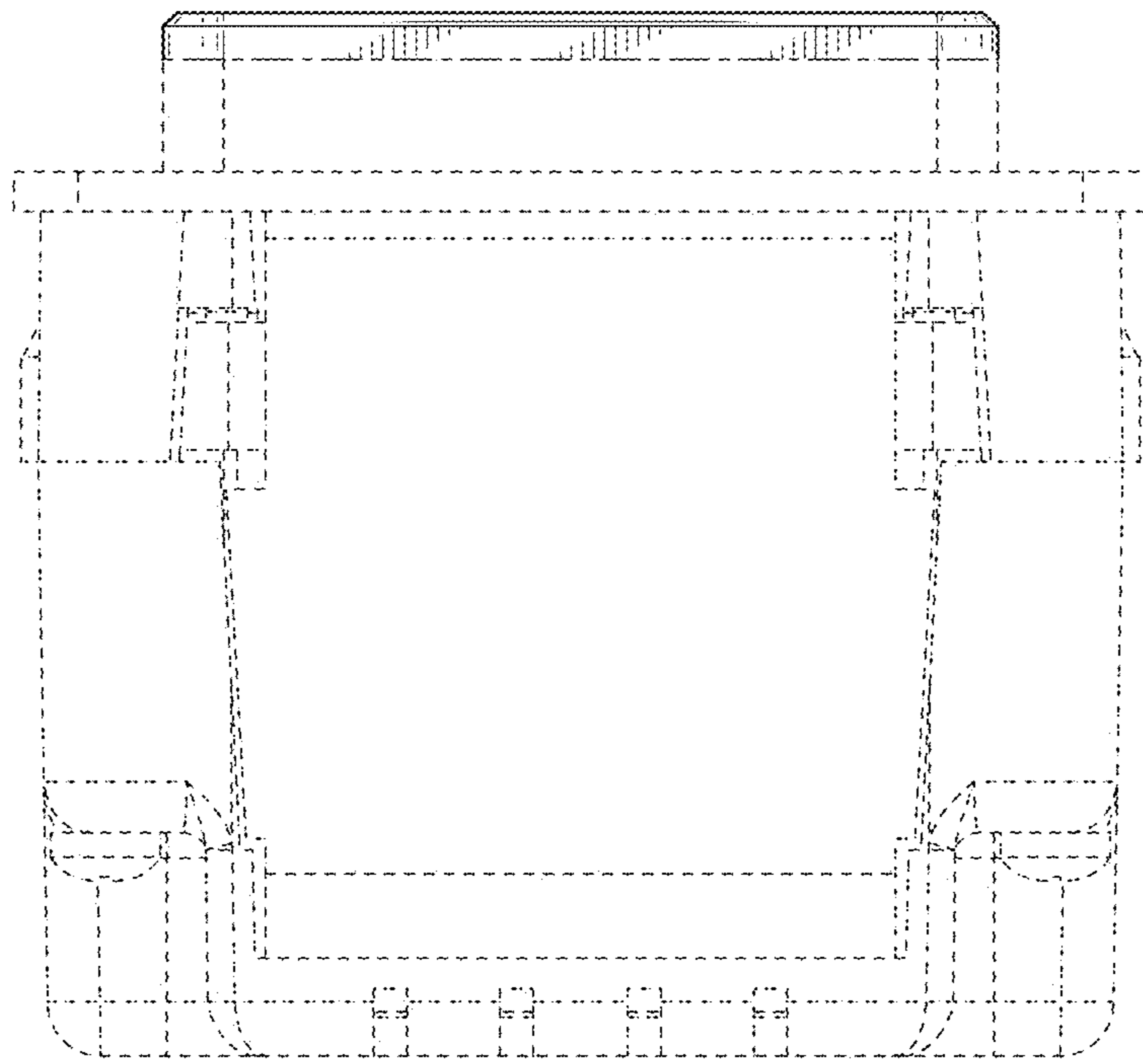


FIG. 11