



US00D883233S

(12) **United States Design Patent** (10) **Patent No.:** **US D883,233 S**
Busl (45) **Date of Patent:** **** May 5, 2020**

(54) **CONTROL BOX**

(56) **References Cited**

(71) Applicant: **LOGICDATA Electronic & Software
Entwicklungs GmbH,
Deutschlandsberg (AT)**

U.S. PATENT DOCUMENTS

(72) Inventor: **Florian Busl**, München (DE)

D792,354 S * 7/2017 Lin D13/162
D869,403 S * 12/2019 Shen D13/162
2018/0343757 A1* 11/2018 I H05K 5/0221

(73) Assignee: **Logicdata Electronic & Software
Entwicklungs GmbH,
Deutschlandsberg (AT)**

* cited by examiner

(**) Term: **15 Years**

Primary Examiner — Michael A. Pratt

(21) Appl. No.: **29/635,562**

(74) *Attorney, Agent, or Firm* — Slater Matsil, LLP

(22) Filed: **Jan. 31, 2018**

(57) **CLAIM**

The ornamental design for a control box, as shown and described.

(30) **Foreign Application Priority Data**

DESCRIPTION

Nov. 28, 2017 (EM) 004525616-0001

FIG. 1 is a front perspective view of a control box;
FIG. 2 is a front view thereof;
FIG. 3 is a back view thereof;
FIG. 4 is a bottom view thereof;
FIG. 5 is a top view thereof;
FIG. 6 is a right side view thereof; and,
FIG. 7 is a left side view thereof.

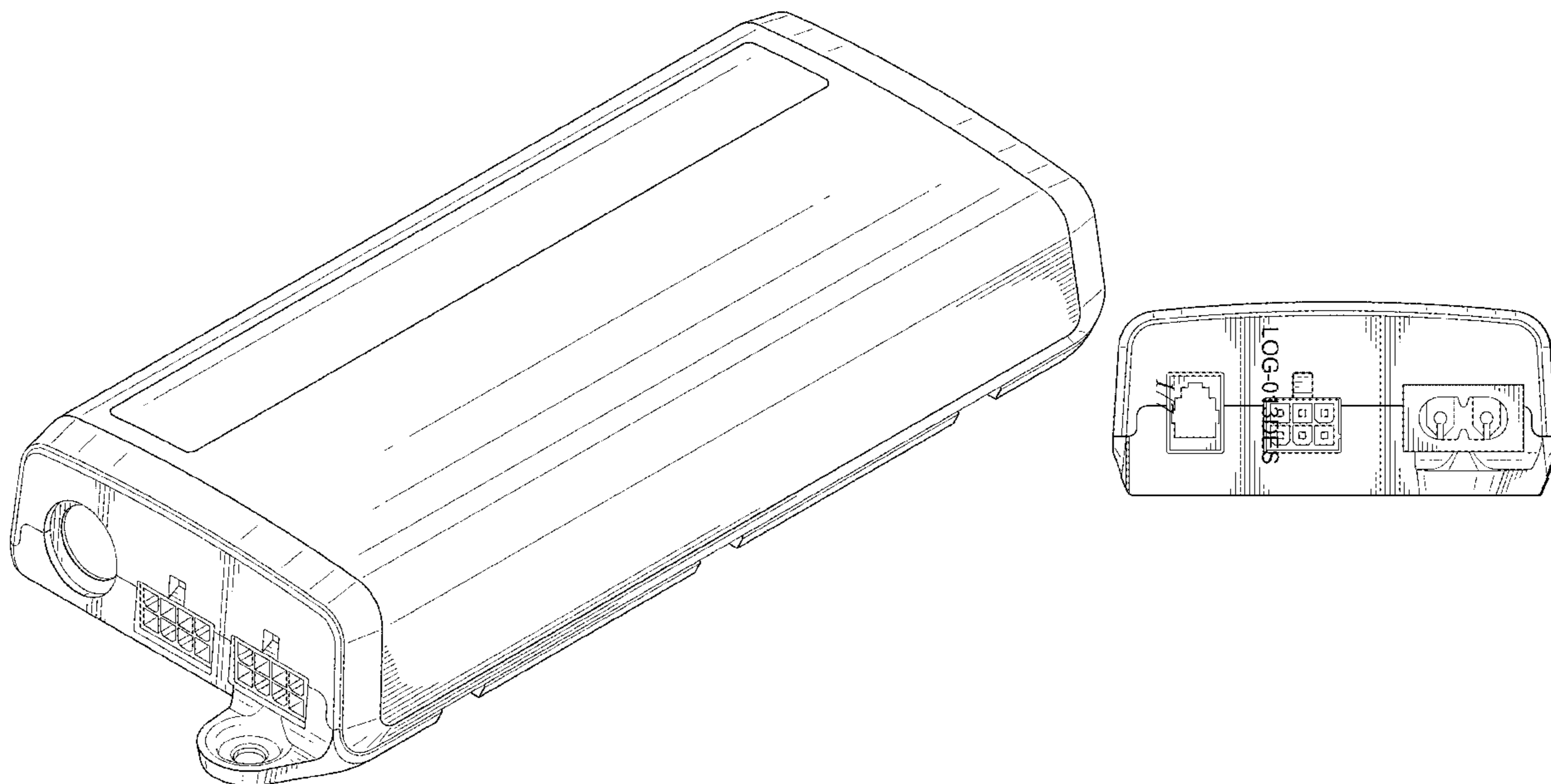
(51) **LOC (12) Cl.** **13-03**

(52) **U.S. Cl.**
USPC **D13/162**

(58) **Field of Classification Search**
USPC ... D13/110, 123, 147, 162, 162.1, 164, 184;
D15/143, 148
See application file for complete search history.

The broken line portions of the figure drawings are included to show unclaimed subject matter only and form no part of the claimed design.

1 Claim, 7 Drawing Sheets



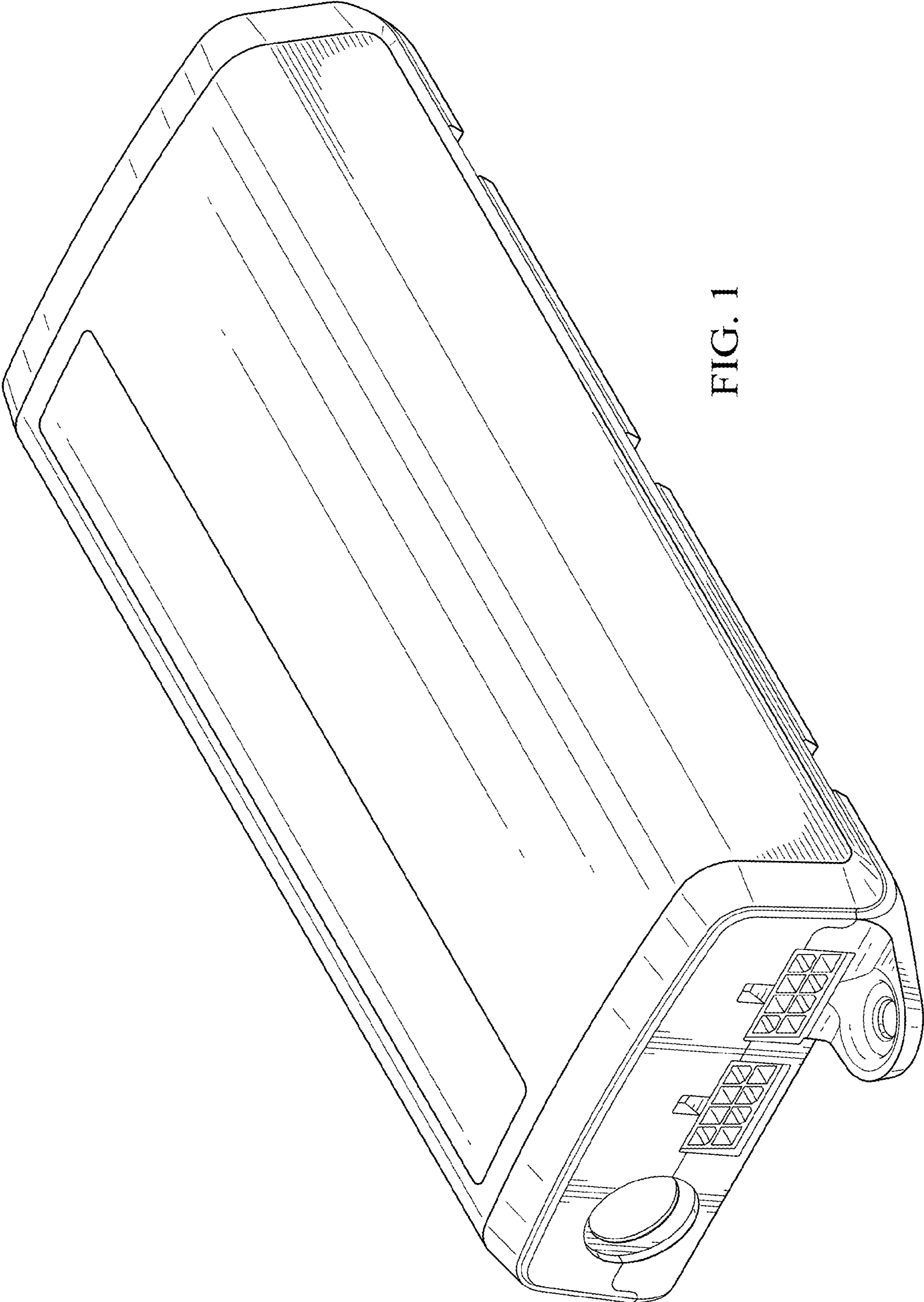


FIG. 1

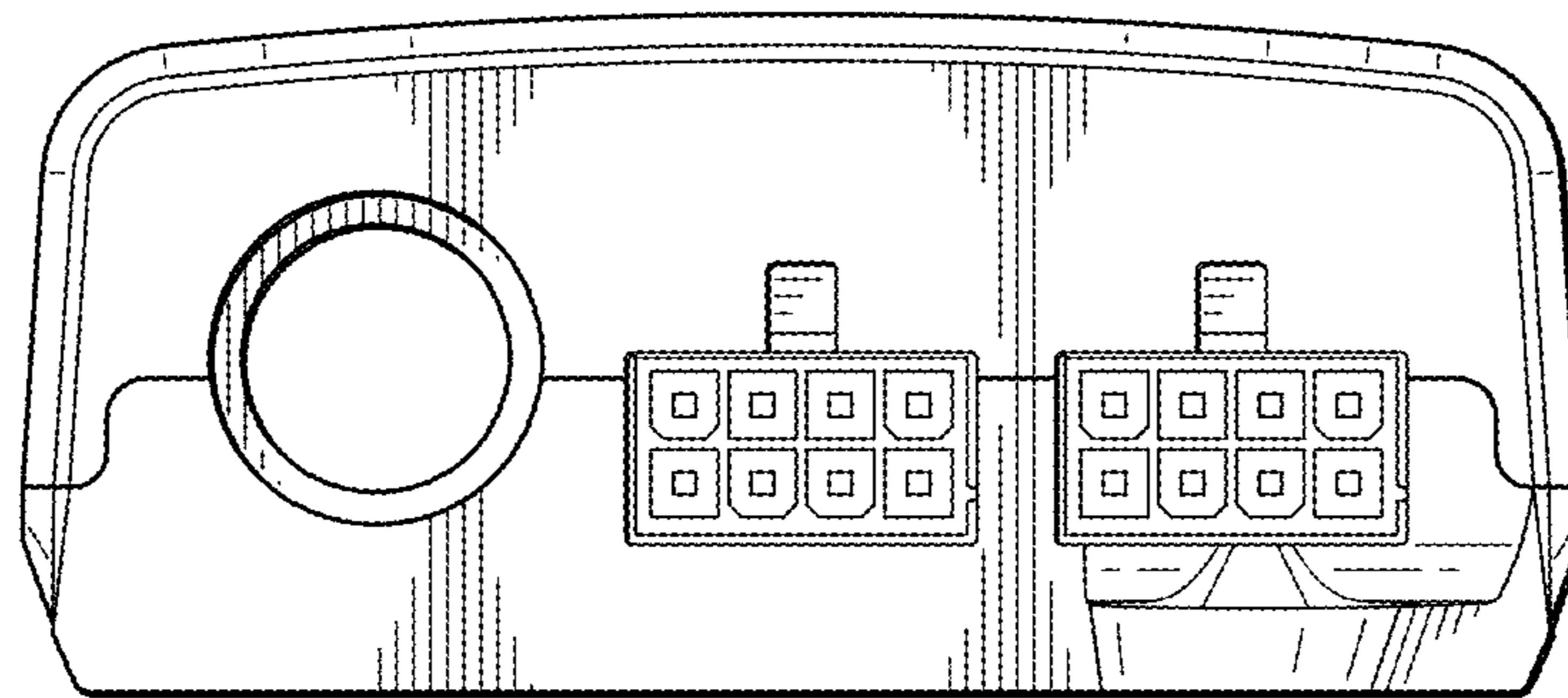


FIG. 2

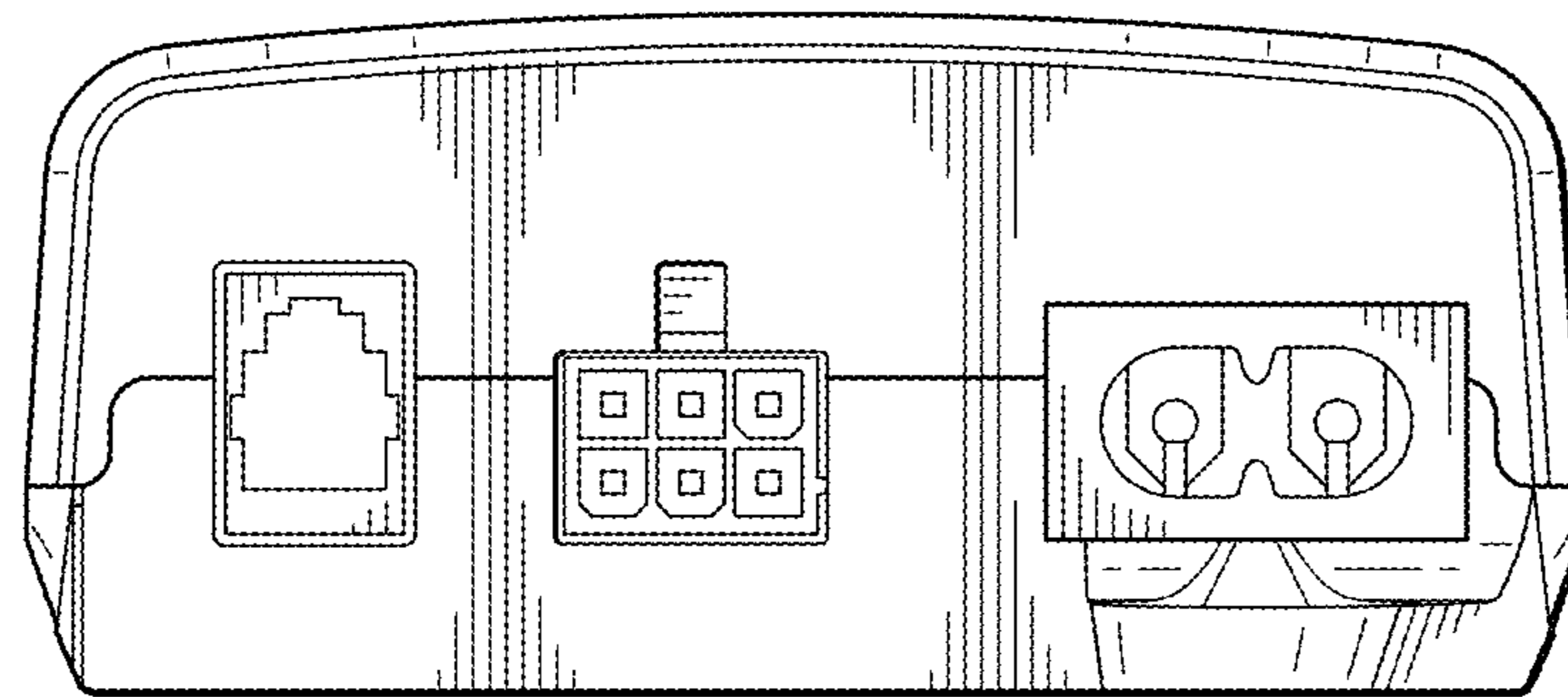


FIG. 3

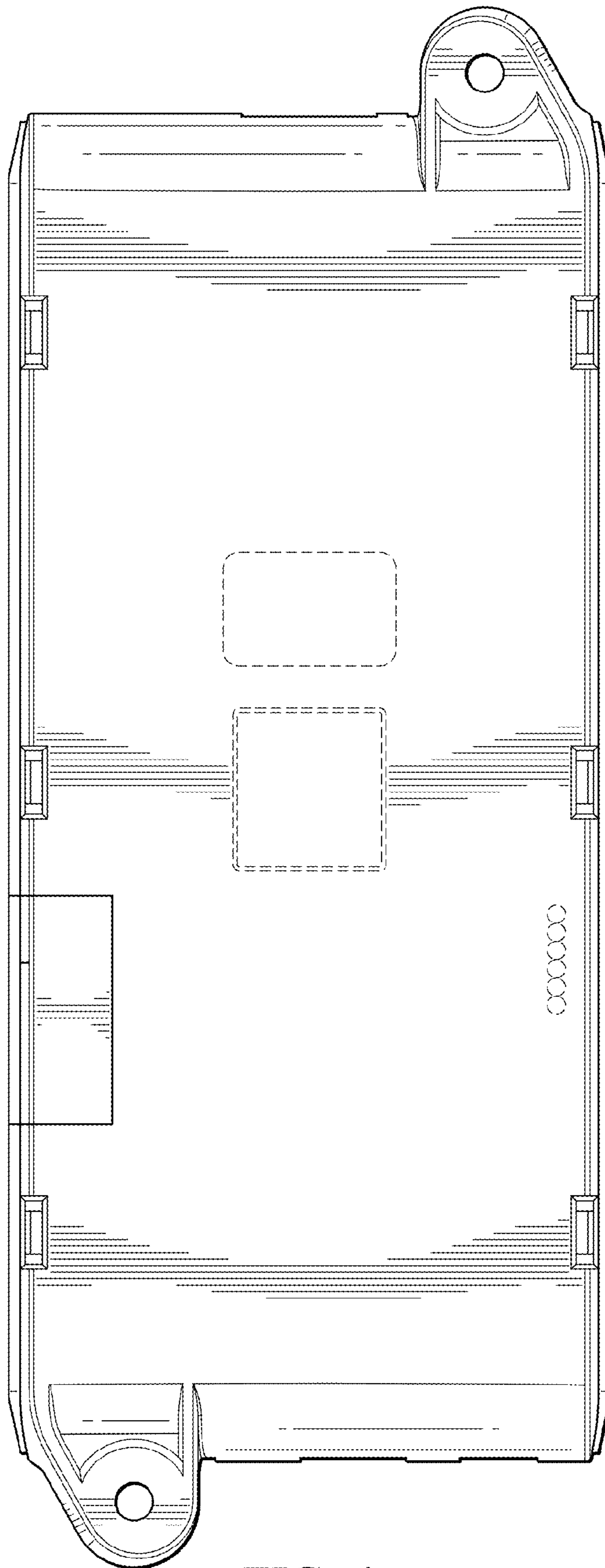


FIG. 4

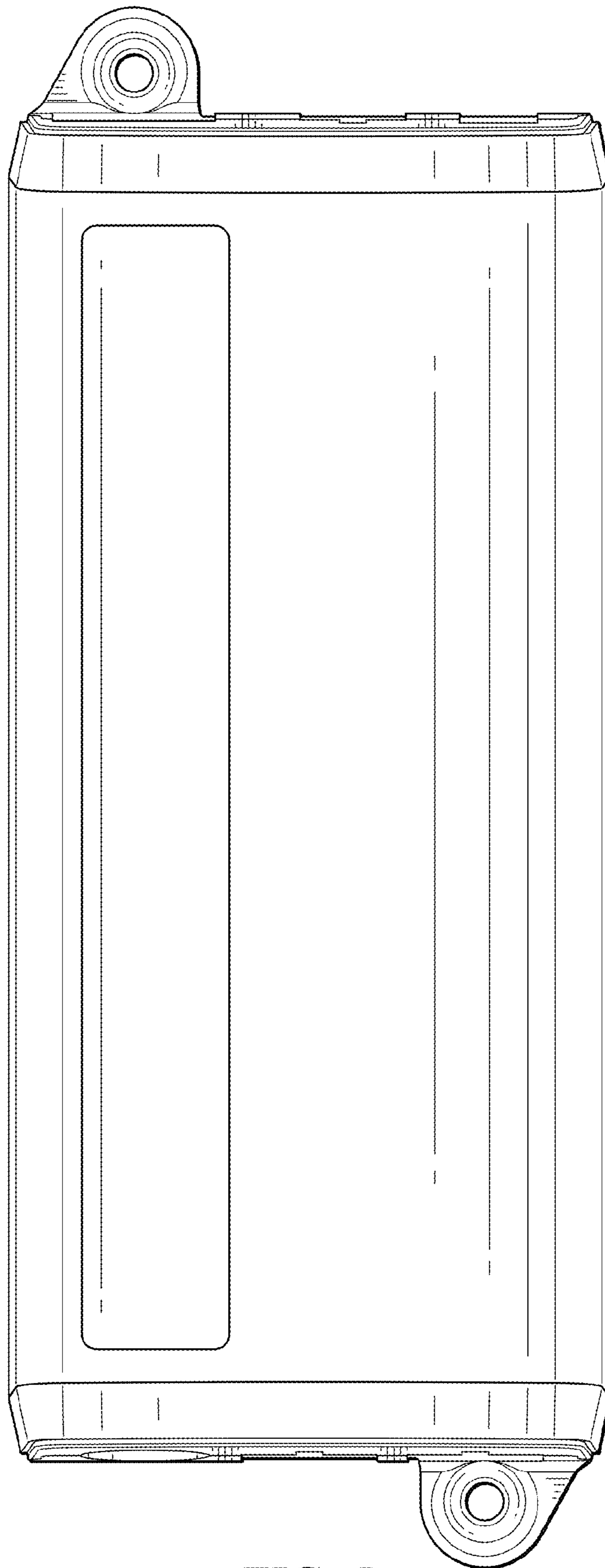


FIG. 5

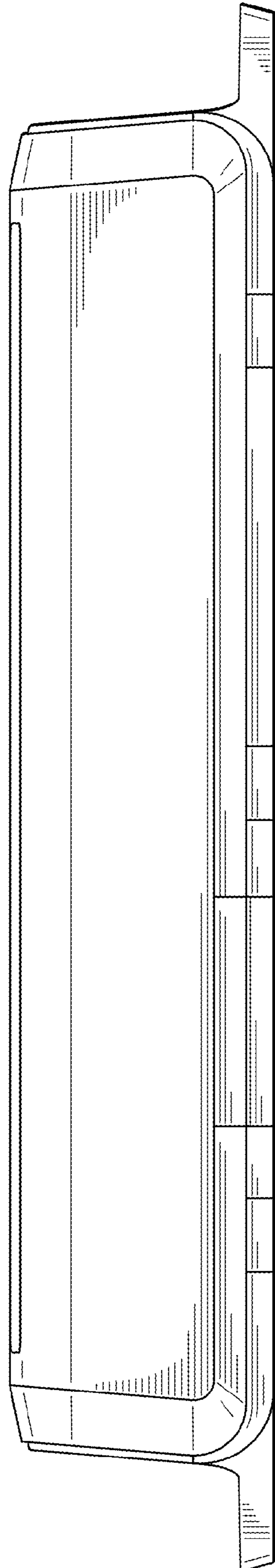


FIG. 6

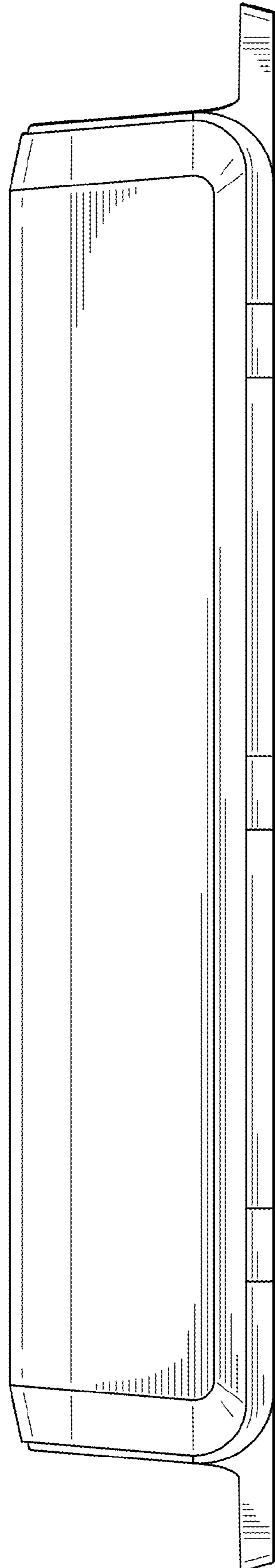


FIG. 7