



US00D883231S

(12) **United States Design Patent**  
**DeJong et al.**

(10) **Patent No.:** **US D883,231 S**

(45) **Date of Patent:** **\*\* May 5, 2020**

(54) **CAP FOR OPTICAL FIBER CONNECTORS**

(71) Applicant: **CORNING RESEARCH & DEVELOPMENT CORPORATION**,  
Corning, NY (US)

(72) Inventors: **Michael DeJong**, Colleyville, TX (US);  
**Wolf Peter Kluwe**, Hagen (DE);  
**Terence Lup-ho Kwan**, San Francisco, CA (US); **Matthew Wallace Peterson**,  
San Francisco, CA (US); **Dayne Wilcox**, El Cerrito, CA (US)

(73) Assignee: **Corning Research & Development Corporation**, Charlotte, NC (US)

(\*\*) Term: **15 Years**

(21) Appl. No.: **29/624,371**

(22) Filed: **Oct. 31, 2017**

(51) **LOC (12) Cl.** ..... **13-03**

(52) **U.S. Cl.**  
USPC ..... **D13/156**

(58) **Field of Classification Search**  
USPC ..... 385/49; 359/511, 513; 439/148;  
D13/155, 153, 133, 156, 139.4, 139.1,  
D13/108, 147, 154, 199  
CPC ..... G02B 6/3849; H01R 13/5213  
See application file for complete search history.

(56) **References Cited**

**U.S. PATENT DOCUMENTS**

- 6,227,717 B1 \* 5/2001 Ott ..... G02B 6/3849  
385/134
- 6,309,247 B1 \* 10/2001 Wang ..... H01R 13/5213  
439/135
- D459,318 S \* 6/2002 Theuerkorn ..... D13/199
- 6,398,422 B1 \* 6/2002 Szilagyi ..... G02B 6/3849  
385/76
- 6,547,450 B2 4/2003 Lampert

- 7,164,840 B2 1/2007 Hsieh
- D572,661 S 7/2008 En Lin et al.
- D593,505 S \* 6/2009 Fimbres ..... D13/156
- 7,706,657 B1 \* 4/2010 McQuiggan ..... G02B 6/3825  
385/134
- 8,105,097 B2 \* 1/2012 Thijs ..... H01R 13/443  
439/133
- 8,244,089 B2 \* 8/2012 Chen ..... G02B 6/3849  
385/134

(Continued)

**FOREIGN PATENT DOCUMENTS**

- JP 2001013373 A 1/2001
- JP 2001235653 A 8/2001
- JP 04060992 B2 3/2008

*Primary Examiner* — Derrick E Holland

*Assistant Examiner* — Jennifer O King

(74) *Attorney, Agent, or Firm* — Adam R. Weeks

(57) **CLAIM**

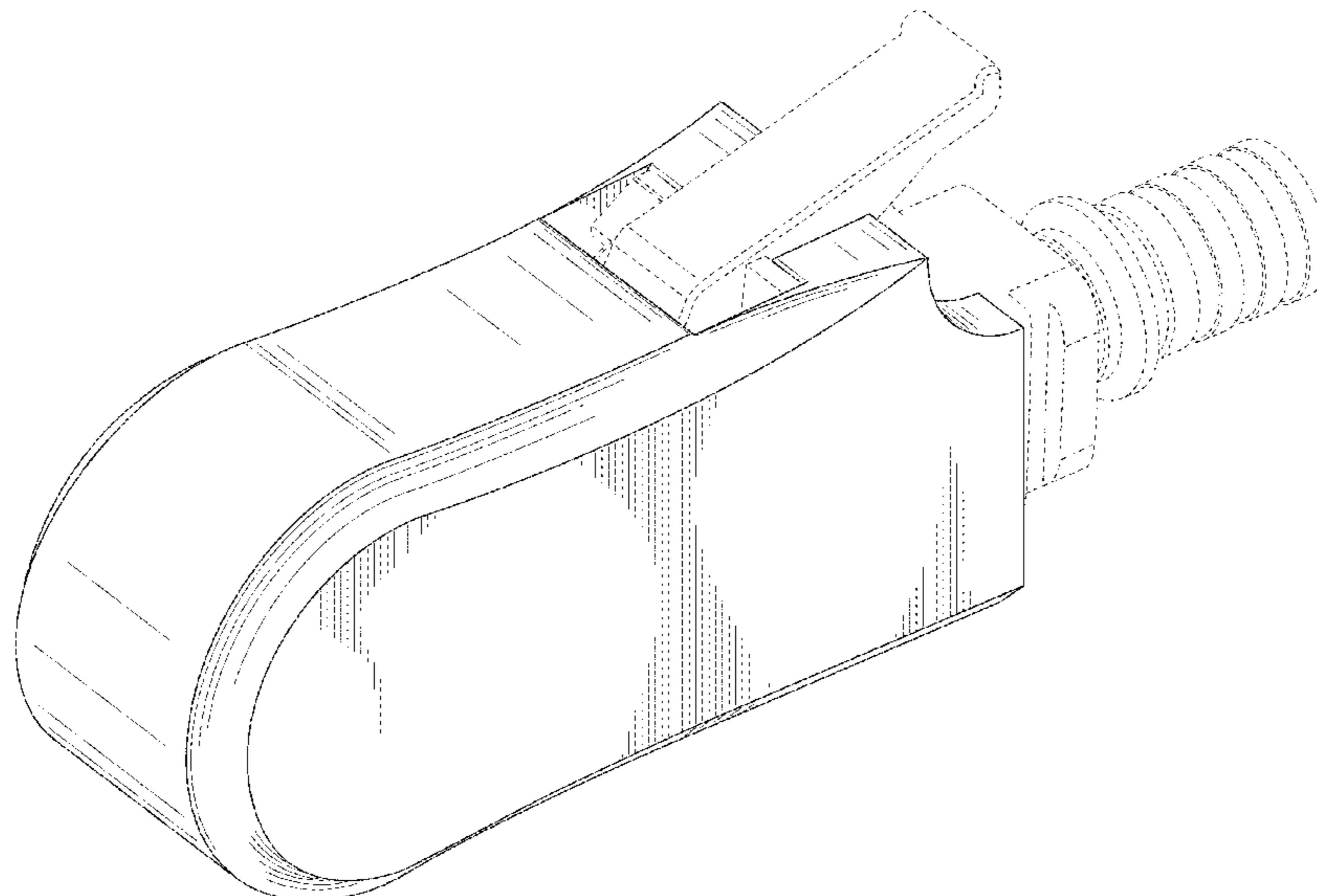
The ornamental design of a cap for optical fiber connectors, as shown and described.

**DESCRIPTION**

FIG. 1 is a perspective view of a cap for an optical fiber connector;  
 FIG. 2 is another perspective view thereof, illustrating the cap in use;  
 FIG. 3 is a front side elevation view thereof;  
 FIG. 4 is a back side elevation view thereof;  
 FIG. 5 is a right side elevation view thereof;  
 FIG. 6 is a left side elevation view thereof;  
 FIG. 7 is a top plan view thereof; and,  
 FIG. 8 is a bottom view thereof.

The broken line portion of the figure drawings is included to show portions of the cap for optical fiber connectors that form no part of the claimed design. The additional broken lines of FIG. 2 show an exemplary optical fiber connector and form no part of the claimed design.

**1 Claim, 8 Drawing Sheets**



(56)

**References Cited**

U.S. PATENT DOCUMENTS

8,323,042	B2 *	12/2012	Lin	.....	H01R 13/443	439/133
8,374,478	B2 *	2/2013	Marcouiller	.....	G02B 6/3849	385/139
D772,170	S	11/2016	Watanabe et al.			
9,823,425	B2 *	11/2017	Xiao	.....	G02B 6/3849	
2002/0058433	A1 *	5/2002	O'Malley	.....	H01R 13/443	439/148
2005/0220434	A1 *	10/2005	Hsieh	.....	G02B 6/3849	385/134
2007/0230874	A1 *	10/2007	Lin	.....	G02B 6/3825	385/53
2011/0188813	A1 *	8/2011	Marcouiller	.....	G02B 6/3849	385/78

\* cited by examiner

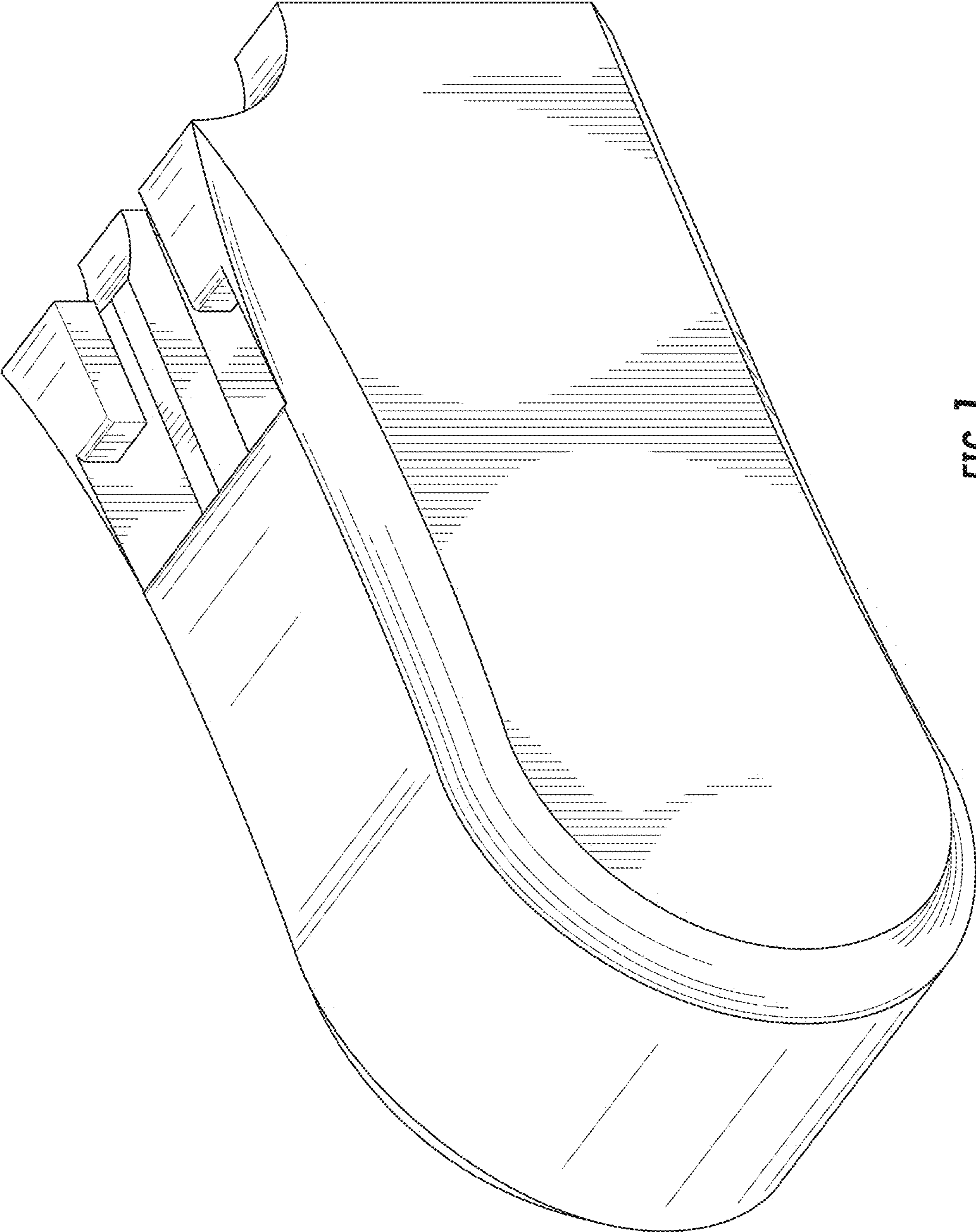


FIG. 1

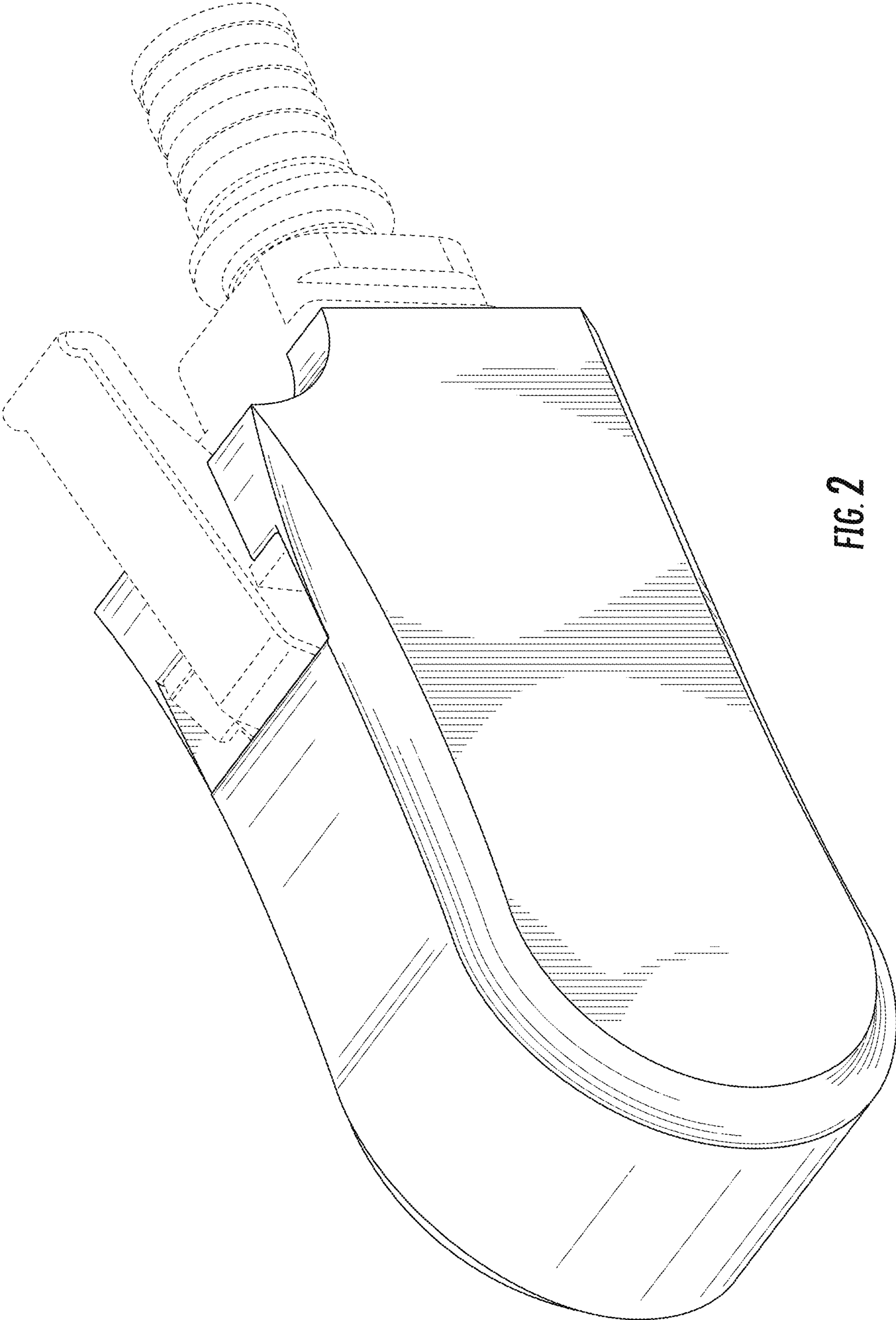


FIG. 2

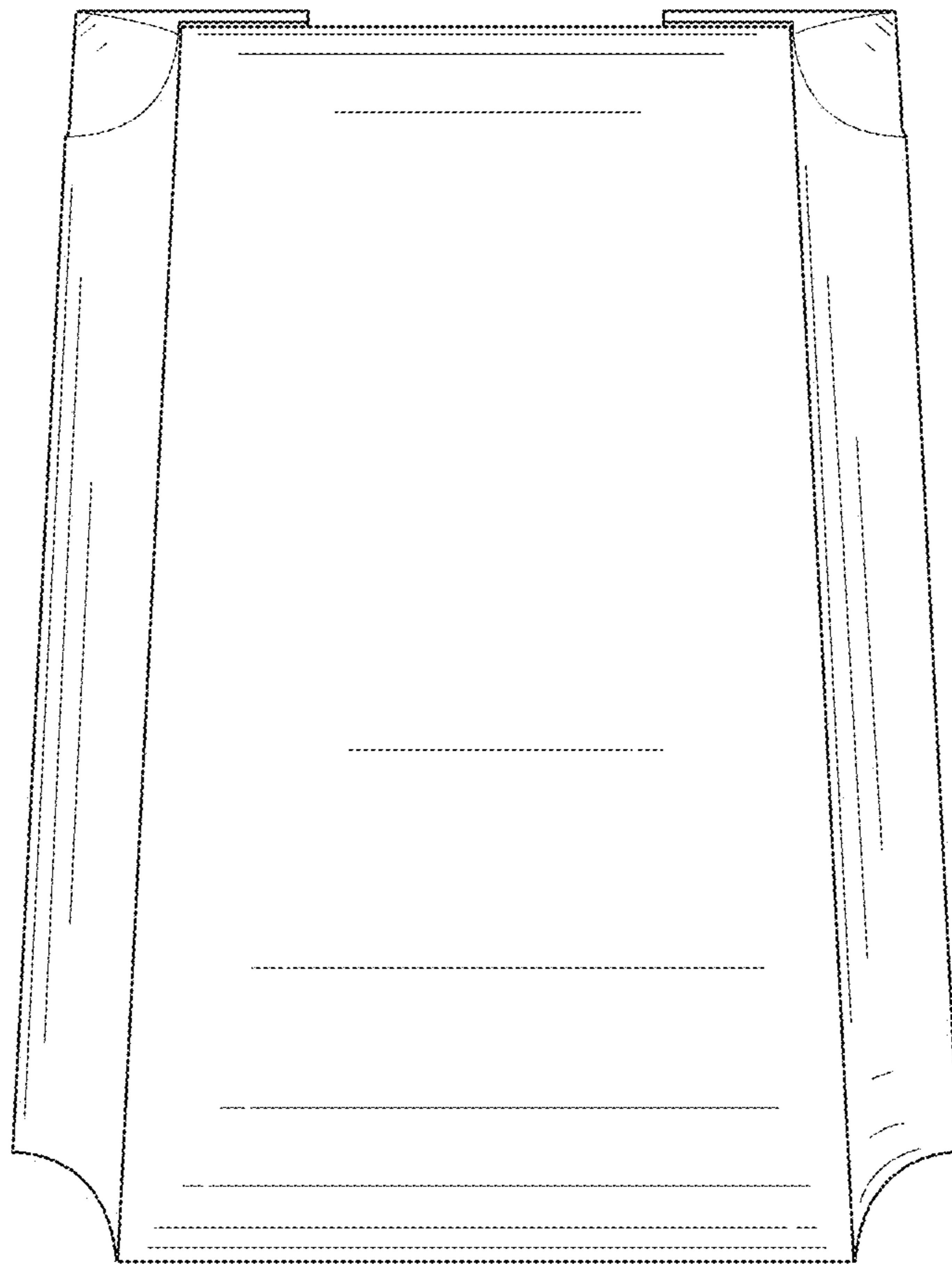


FIG. 3

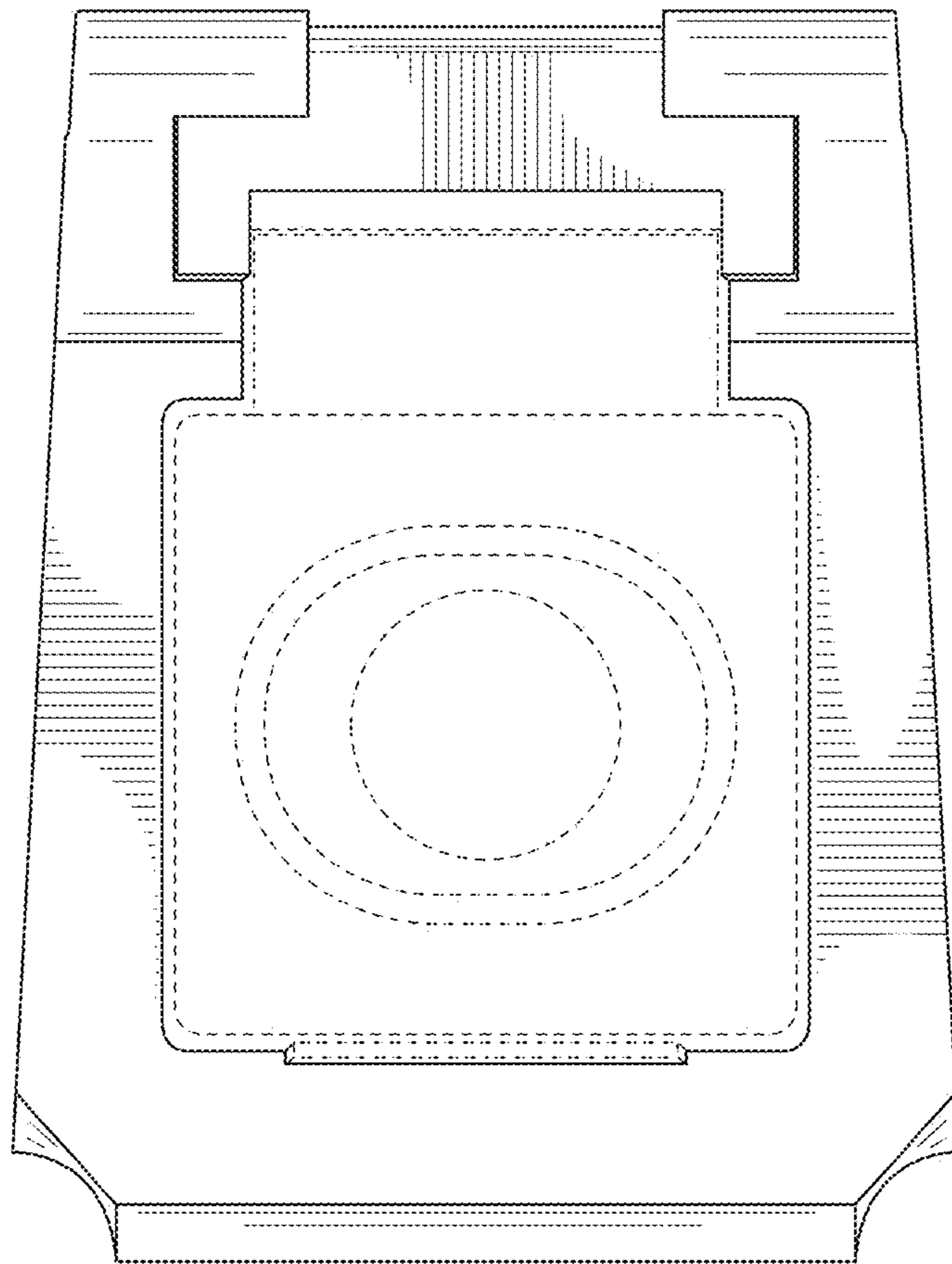


FIG. 4

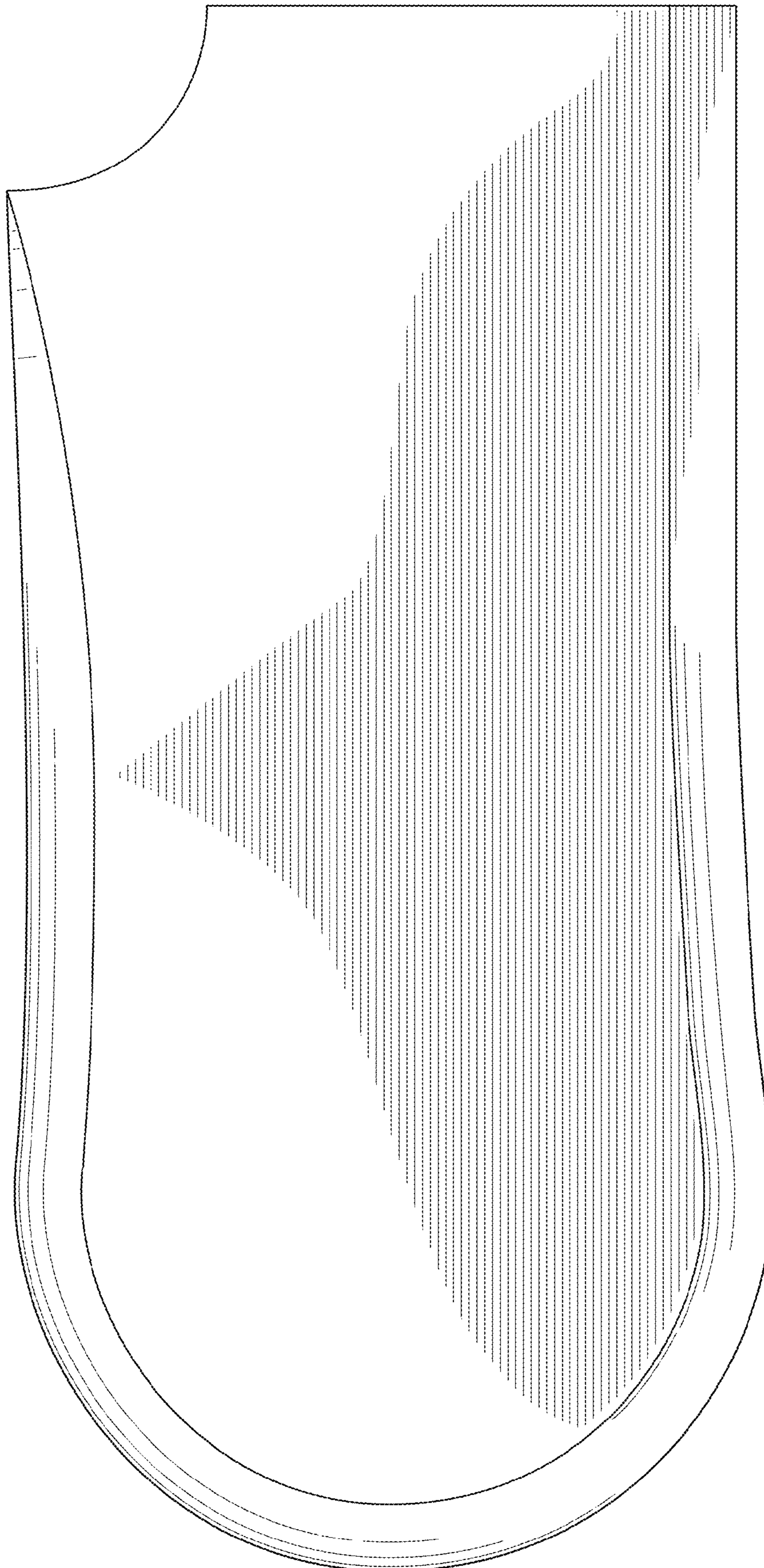


FIG. 5

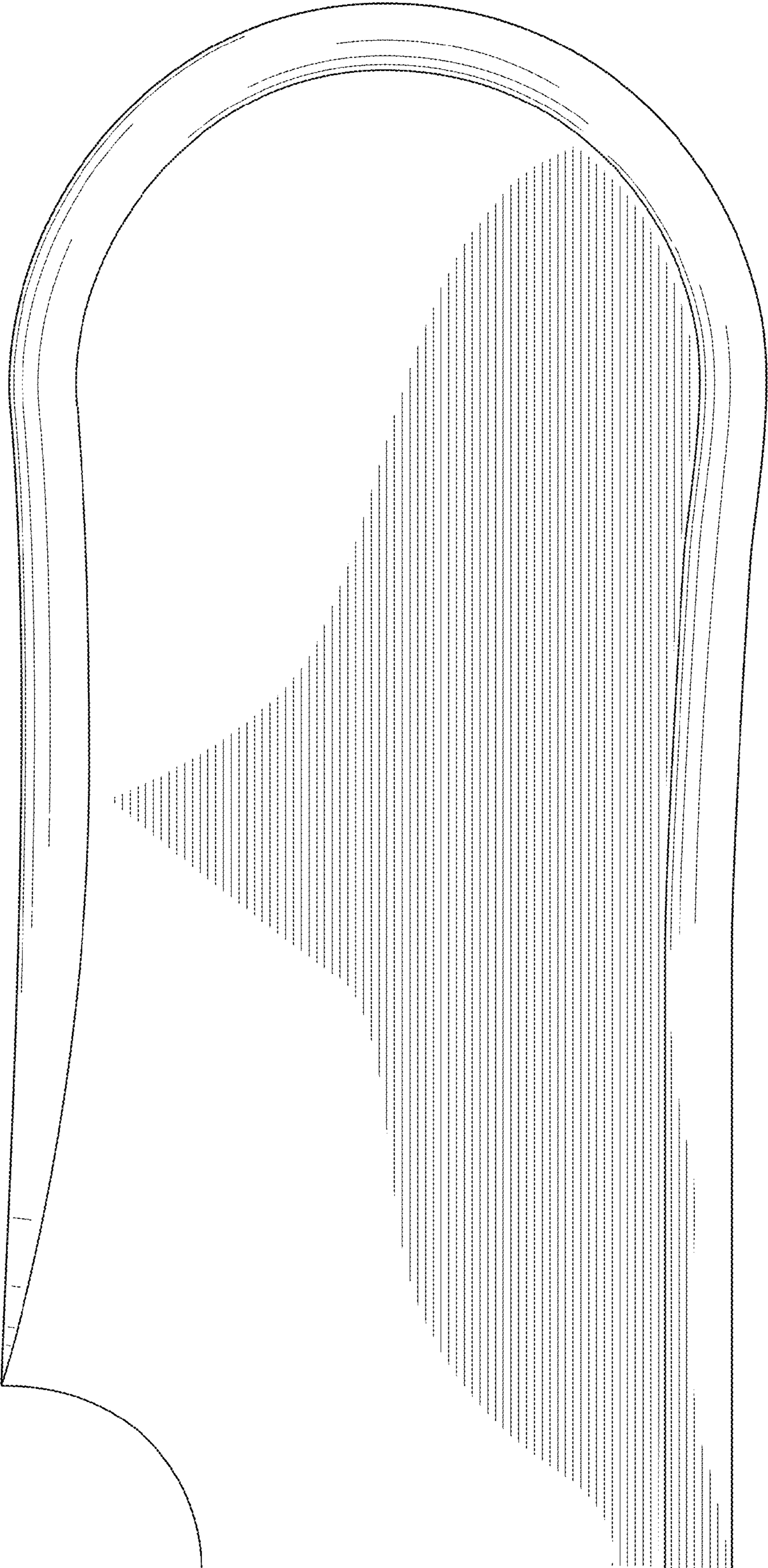
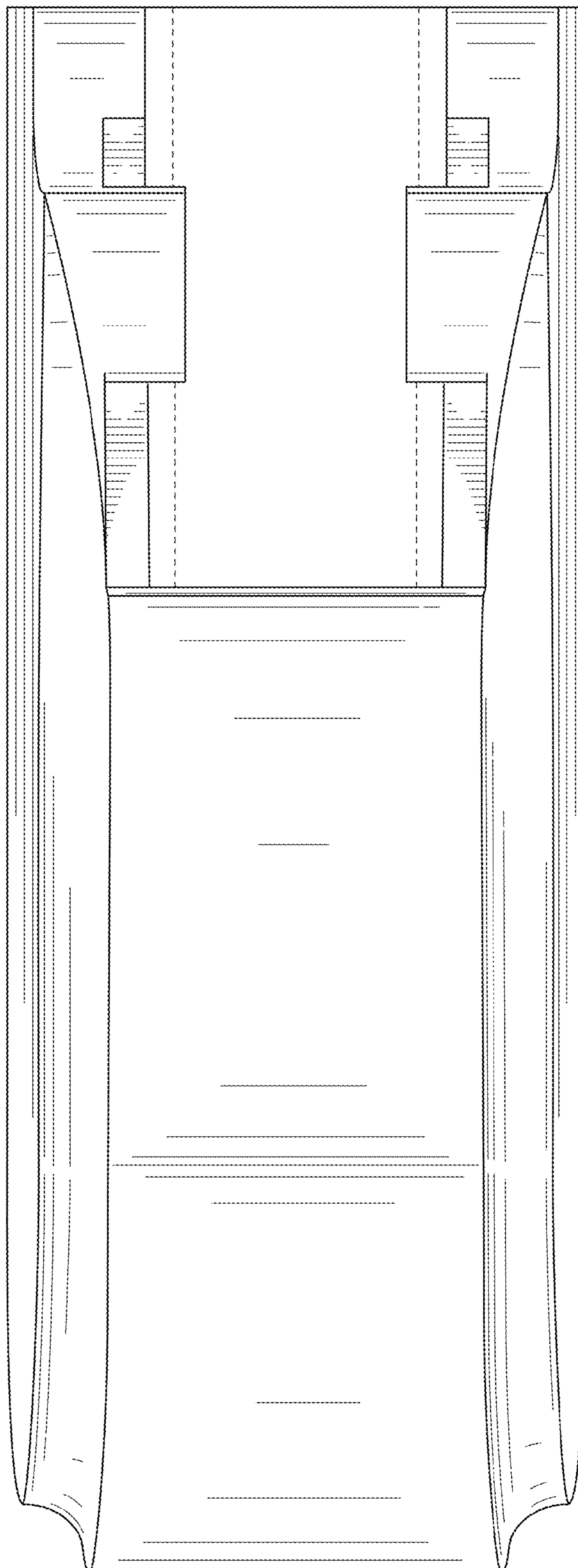
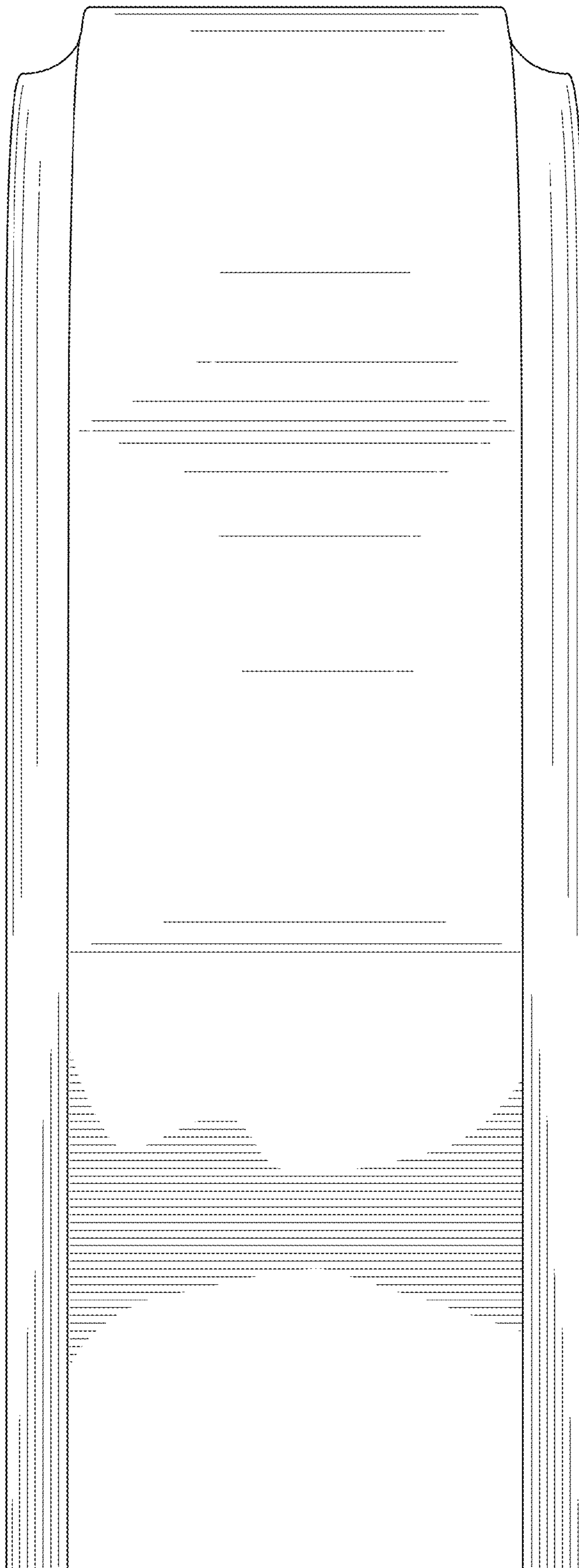


FIG. 6





**FIG. 7**



**FIG. 8**