



US00D883230S

(12) **United States Design Patent** (10) **Patent No.:** **US D883,230 S**
Leeson (45) **Date of Patent:** **** May 5, 2020**

(54) **CABLE CLIP**

(71) Applicant: **PPC BROADBAND FIBER LTD.**,
Framlingham, Woodbridge (GB)

(72) Inventor: **Kim Leeson**, Ipswich (GB)

(73) Assignee: **PPC BROADBAND FIBER LTD.**,
Woodbridge (GB)

(**) Term: **15 Years**

(21) Appl. No.: **29/618,900**

(22) Filed: **Sep. 25, 2017**

(51) **LOC (12) Cl.** **13-03**

(52) **U.S. Cl.**
USPC **D13/155**

(58) **Field of Classification Search**
USPC D13/120, 133, 146, 147, 151, 153, 154,
D13/155, 156; D3/208; D8/349, 382,
D8/394, 396

CPC B65H 75/36; H01R 13/5845; H01R 13/72;
H01R 31/06; H01R 11/00; H04M 1/15;
F16G 11/14; D06F 55/00; H02M
2001/0009; F02C 7/28; H02G 15/113;
F16L 3/13; F16L 3/1226; F16L 3/1236

See application file for complete search history.

(56) **References Cited**

U.S. PATENT DOCUMENTS

- 3,399,433 A * 9/1968 Faulkner F16G 11/14
403/211
- 4,805,479 A * 2/1989 Brightwell F16C 1/105
74/502.4
- D497,305 S * 10/2004 Perri D8/356
- H2203 H * 10/2007 Borchardt D8/396
- D615,847 S * 5/2010 Tezak D8/349

(Continued)

Primary Examiner — Jennifer Rivard
Assistant Examiner — Alison M Ofstun

(74) *Attorney, Agent, or Firm* — MH2 Technology Law
Group, LLP

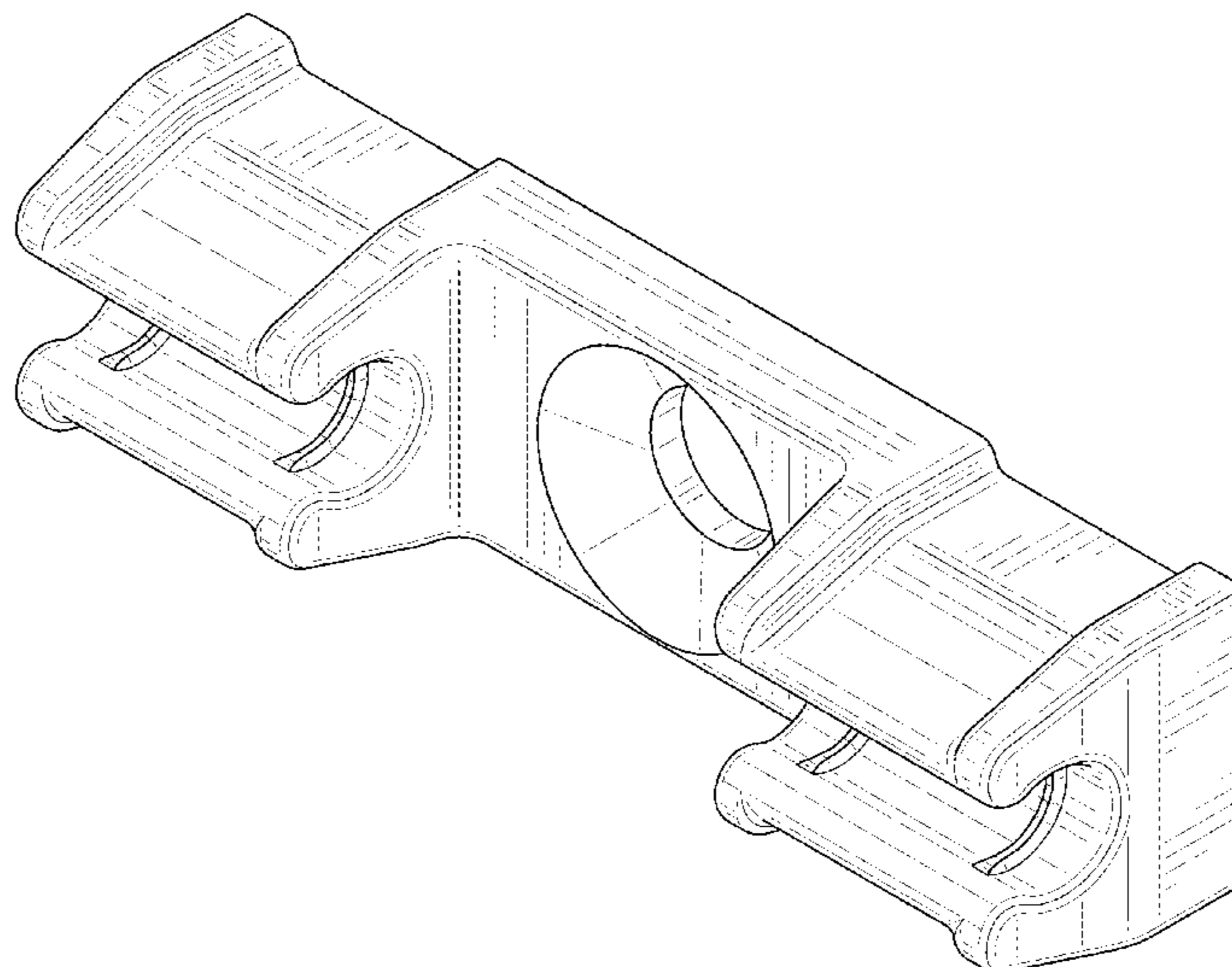
(57) **CLAIM**

The ornamental design for a cable clip, as shown and
described.

DESCRIPTION

FIG. 1 is a front, top, left-side view of a first embodiment of a cable clip;
FIG. 2 is a front elevational view thereof;
FIG. 3 is a rear elevational view thereof;
FIG. 4 is a left-side elevational view thereof;
FIG. 5 is a right-side elevational view thereof;
FIG. 6 is a top plan view thereof;
FIG. 7 is a bottom plan view thereof;
FIG. 8 is a front, top, left-side view of a second embodiment of a cable clip;
FIG. 9 is a front elevational view of FIG. 8;
FIG. 10 is a rear elevational view of FIG. 8;
FIG. 11 is a left-side elevational view of FIG. 8;
FIG. 12 is a right-side elevational view of FIG. 8;
FIG. 13 is a top plan view of FIG. 8;
FIG. 14 is a bottom plan view of FIG. 8;
FIG. 15 is a front, top, left-side view of a third embodiment of a cable clip;
FIG. 16 is a front elevational view of FIG. 15;
FIG. 17 is a rear elevational view of FIG. 15;
FIG. 18 is a left-side elevational view of FIG. 15;
FIG. 19 is a right-side elevational view of FIG. 15;
FIG. 20 is a top plan view of FIG. 15;
FIG. 21 is a bottom plan view of FIG. 15;
FIG. 22 is a front, top, left-side view of a fourth embodiment of a cable clip;
FIG. 23 is a front elevational view of FIG. 22;
FIG. 24 is a rear elevational view of FIG. 22;
FIG. 25 is a left-side elevational view of FIG. 22;
FIG. 26 is a right-side elevational view of FIG. 22;
FIG. 27 is a top plan view of FIG. 22; and,
FIG. 28 is a bottom plan view of FIG. 22.

1 Claim, 28 Drawing Sheets



(56)

References Cited

U.S. PATENT DOCUMENTS

| | | | | | | |
|-----------|----|---|---------|--------------|-------|------------|
| D732,925 | S | * | 6/2015 | Lin | | D8/349 |
| D736,612 | S | * | 8/2015 | Sickler, Jr. | | D8/396 |
| 9,157,505 | B2 | * | 10/2015 | Seader | | F16G 11/10 |
| D763,060 | S | * | 8/2016 | Rommel | | D8/349 |
| D766,072 | S | * | 9/2016 | Chan | | D8/356 |
| D766,711 | S | * | 9/2016 | Babbage | | D8/394 |
| D808,256 | S | * | 1/2018 | Muller | | D8/396 |
| D836,072 | S | * | 12/2018 | Gray | | D13/155 |

* cited by examiner

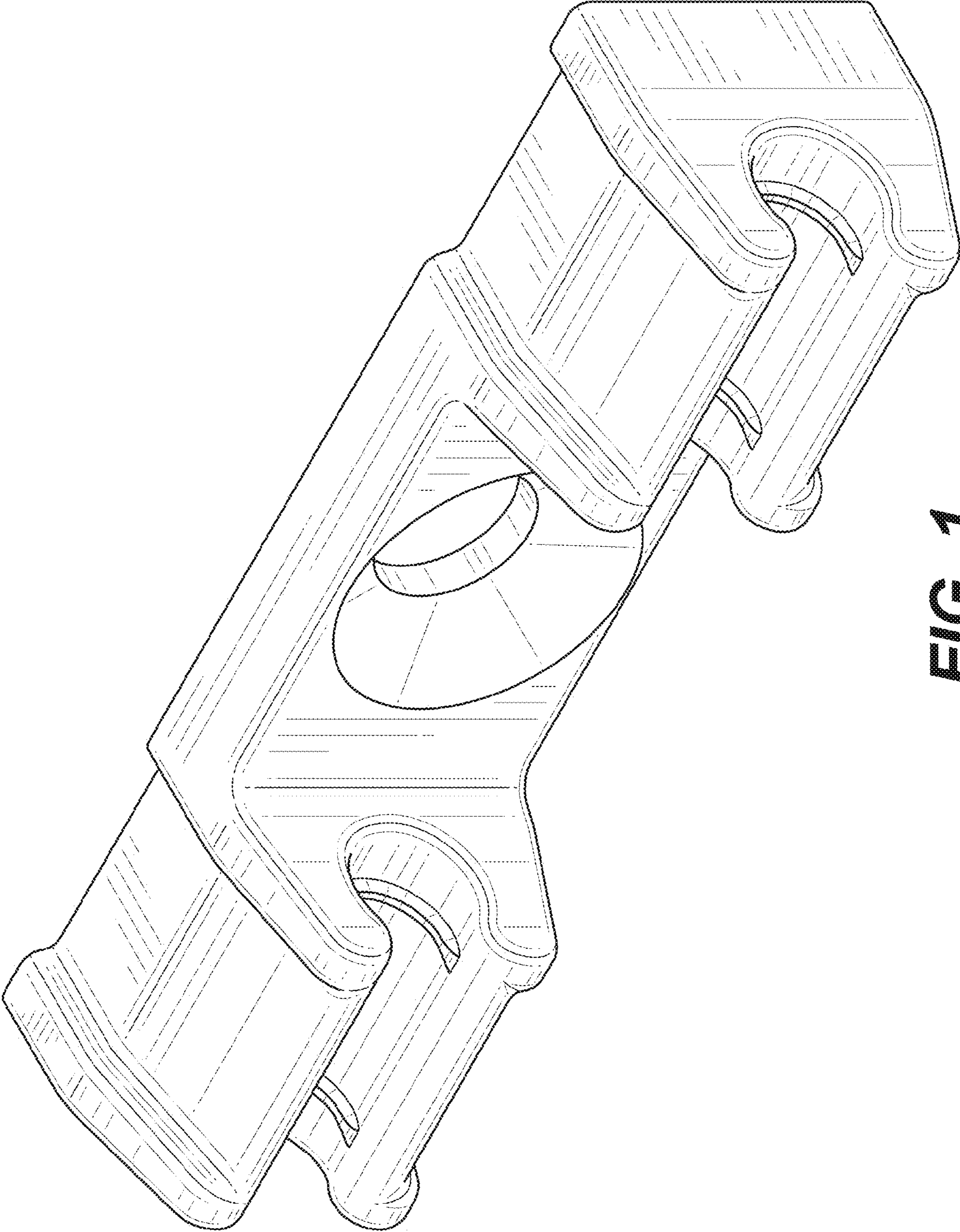


FIG. 1

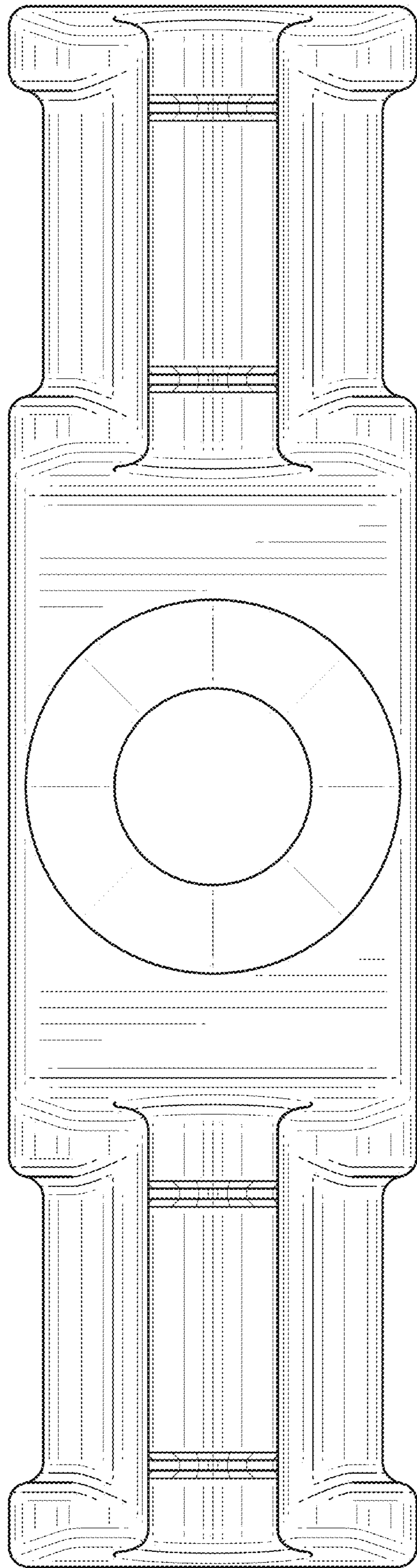


FIG. 2

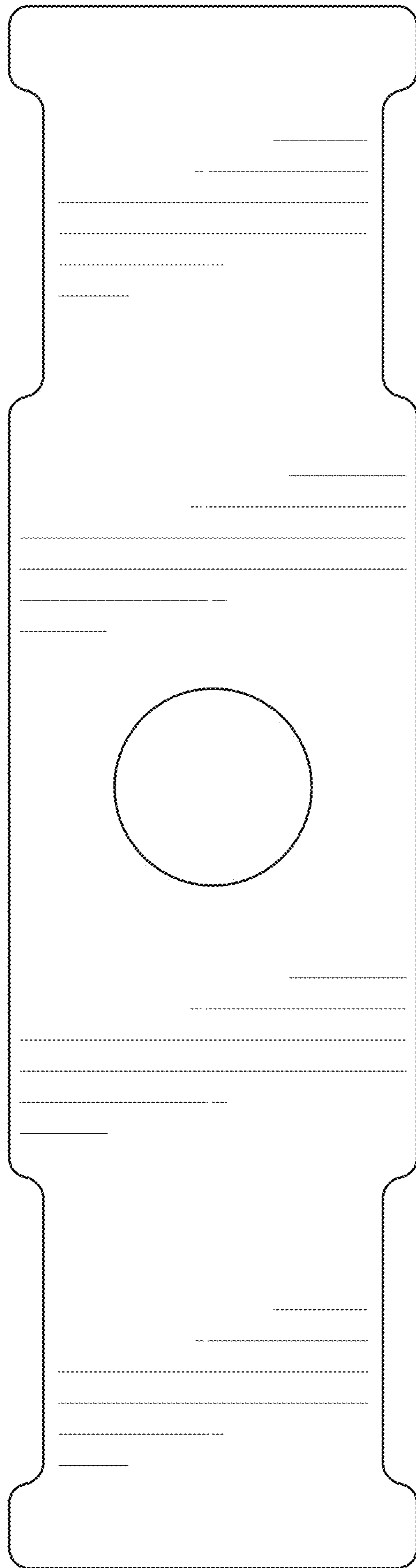


FIG. 3

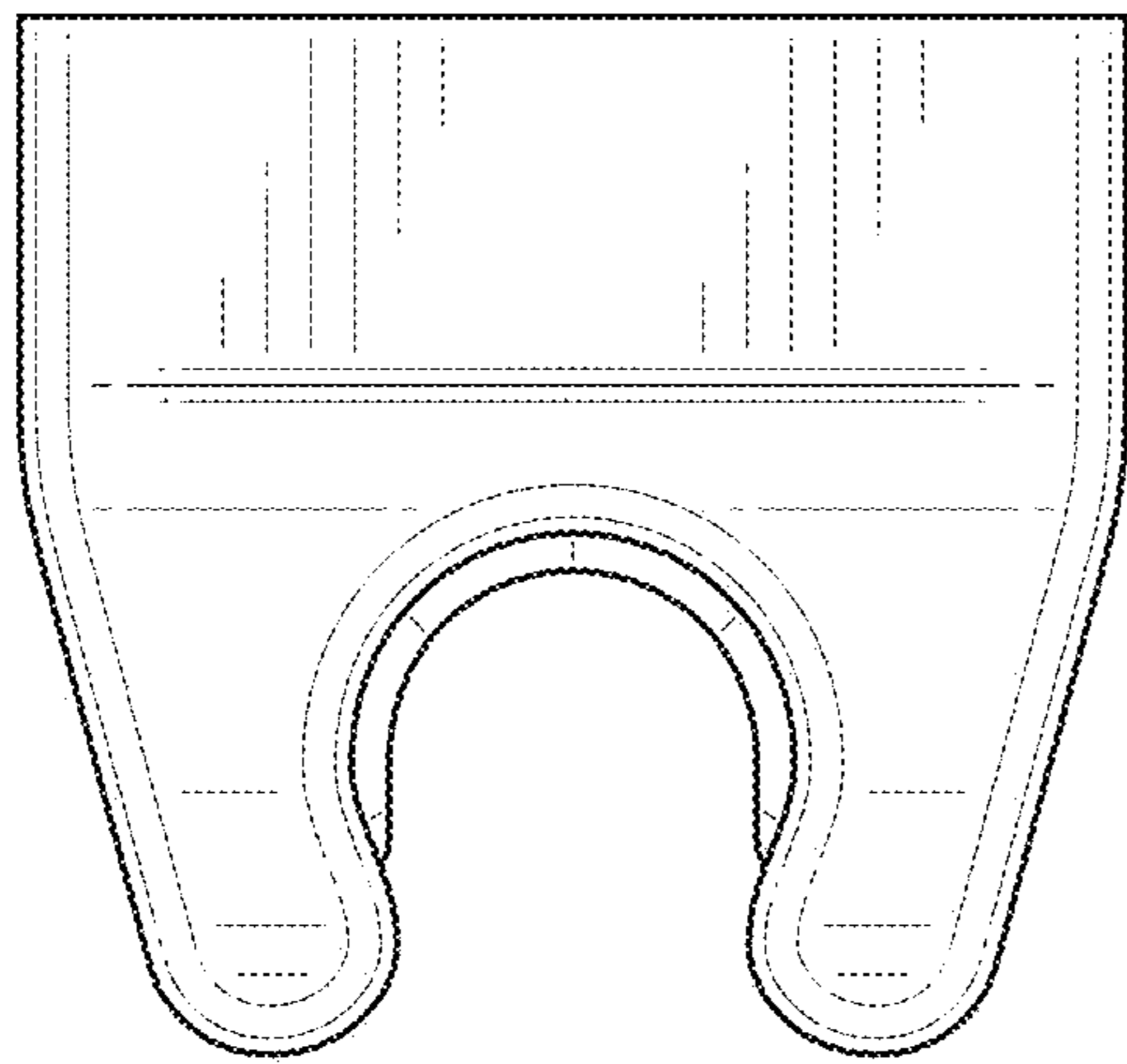


FIG. 4

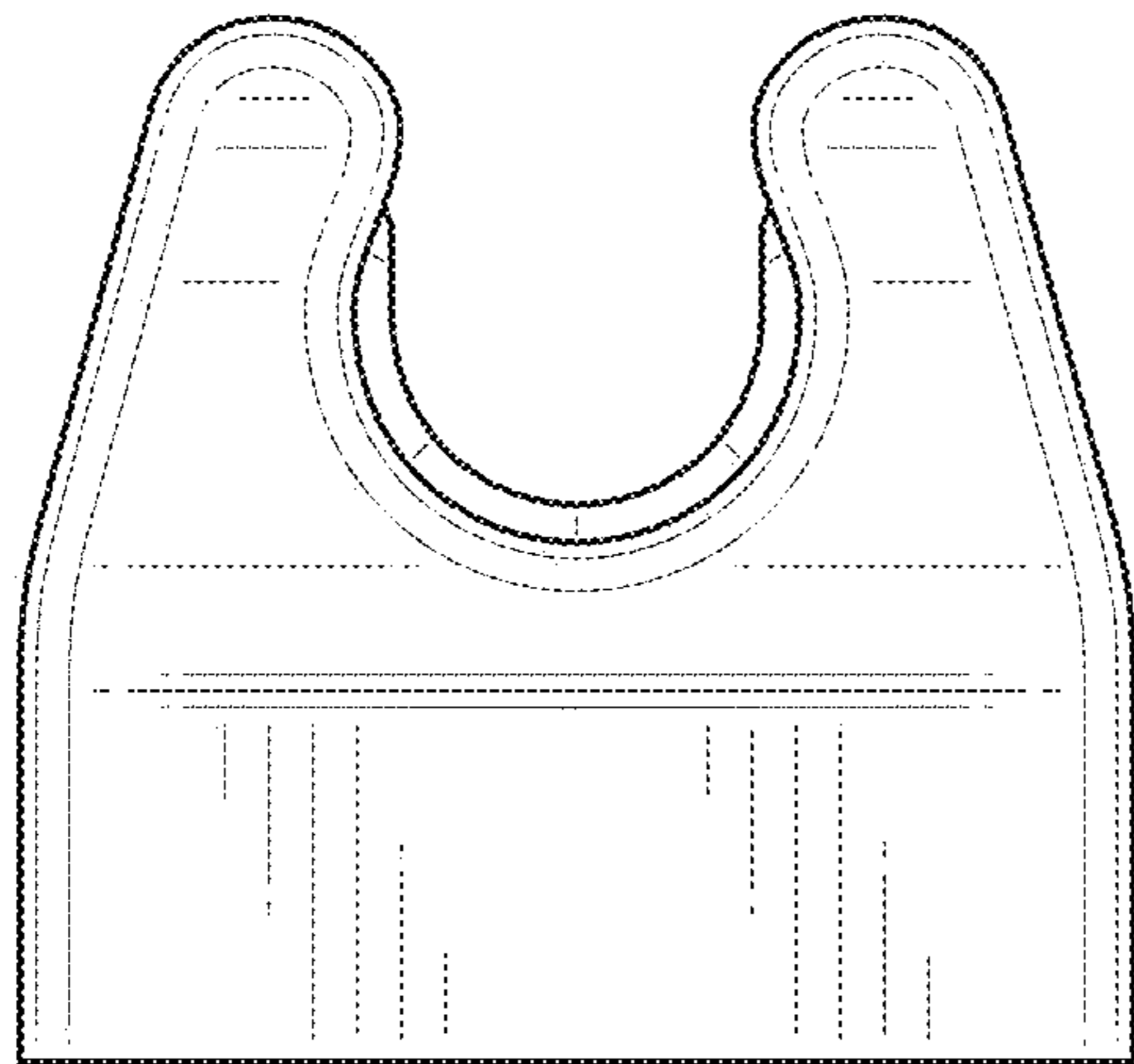


FIG. 5

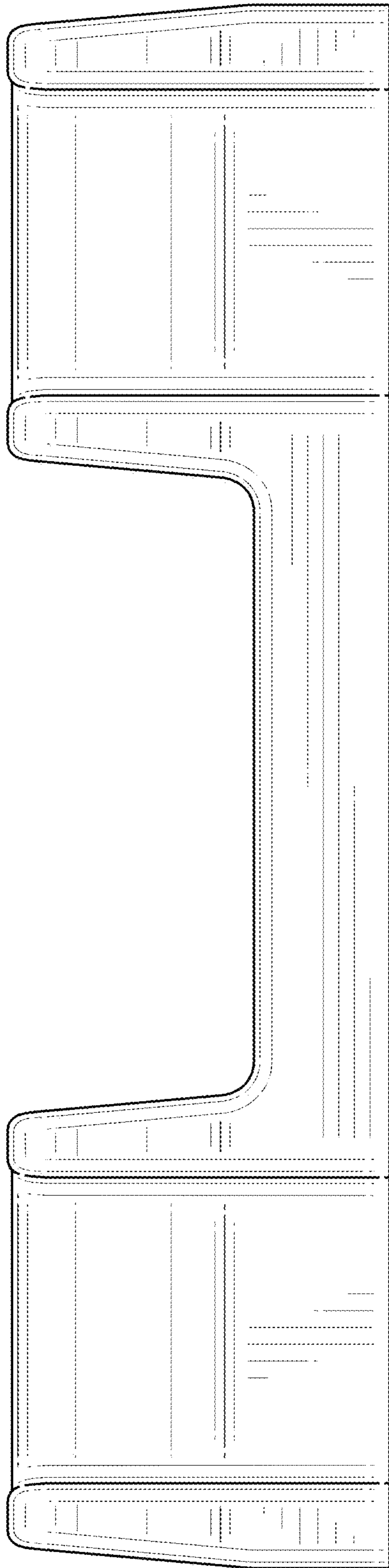


FIG. 6

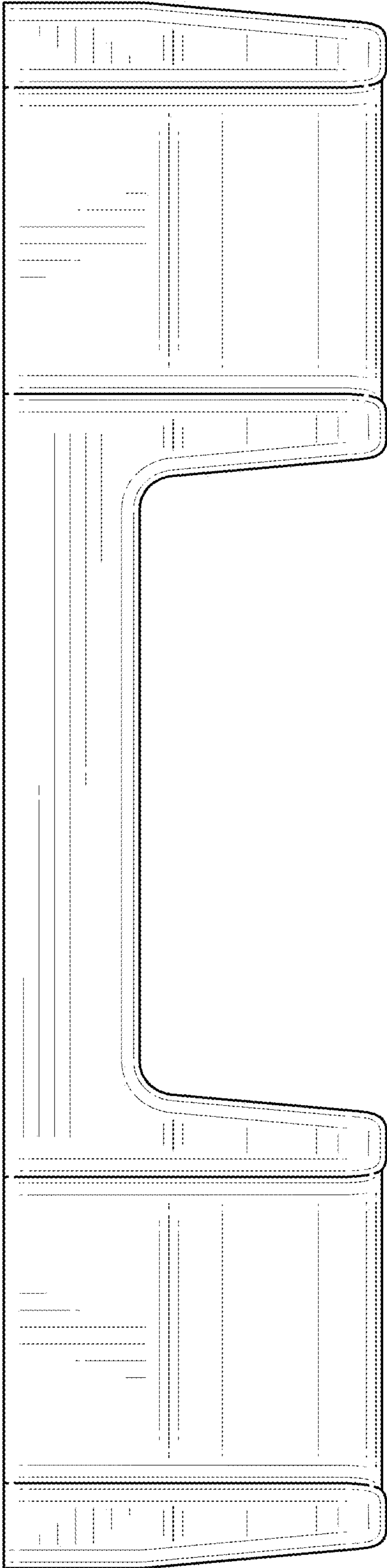


FIG. 7

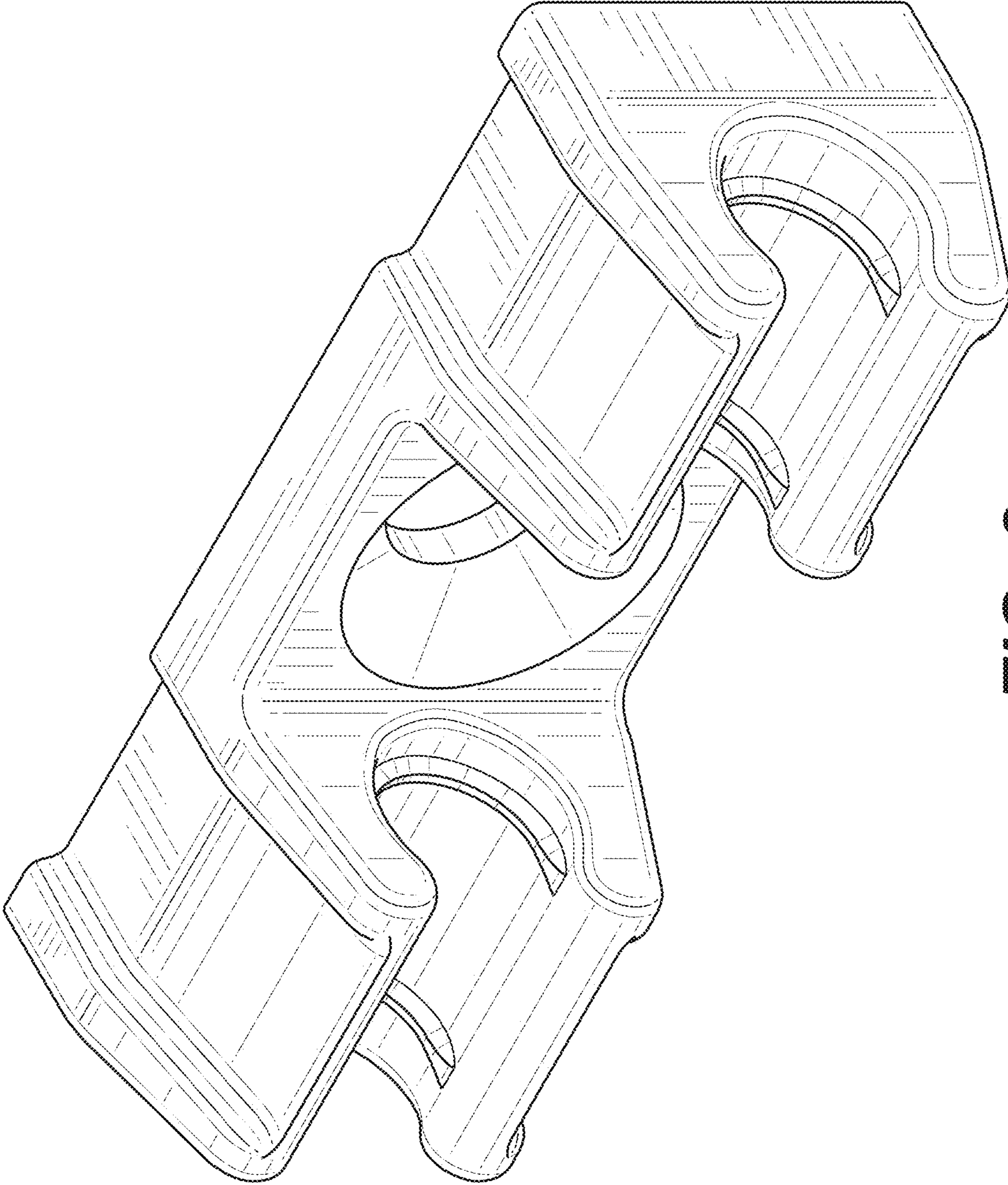


FIG. 8

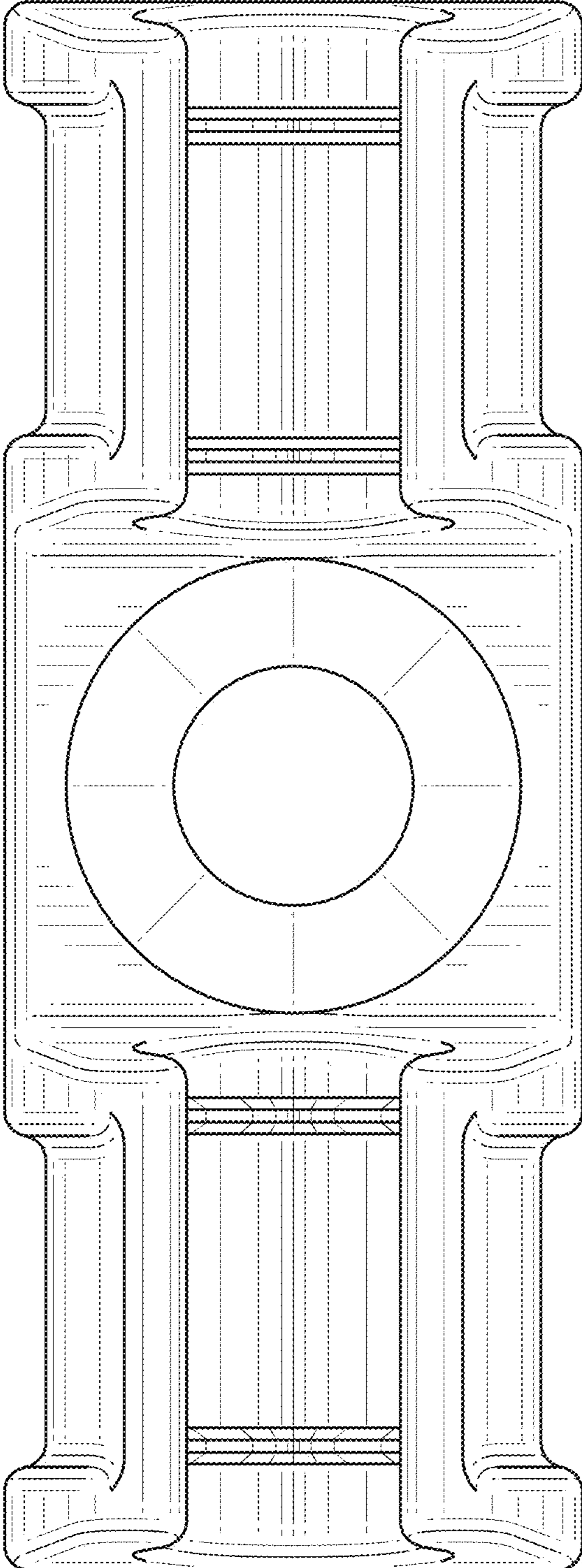


FIG. 9

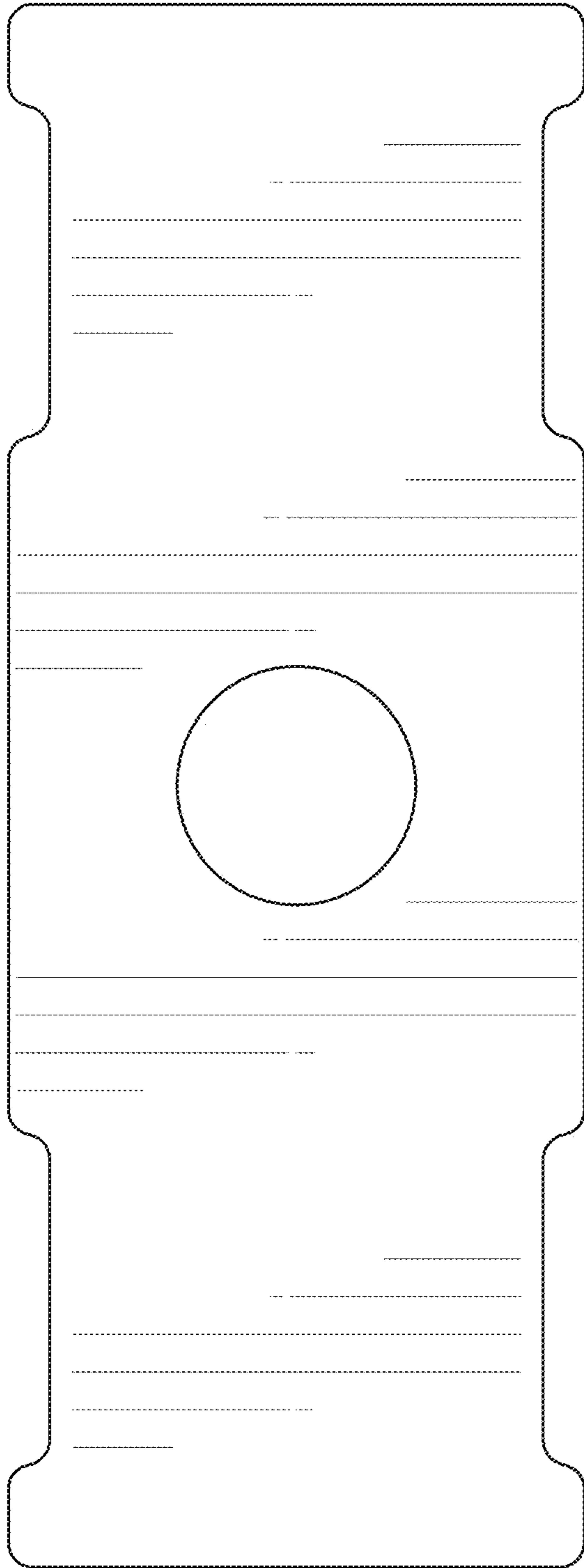


FIG. 10

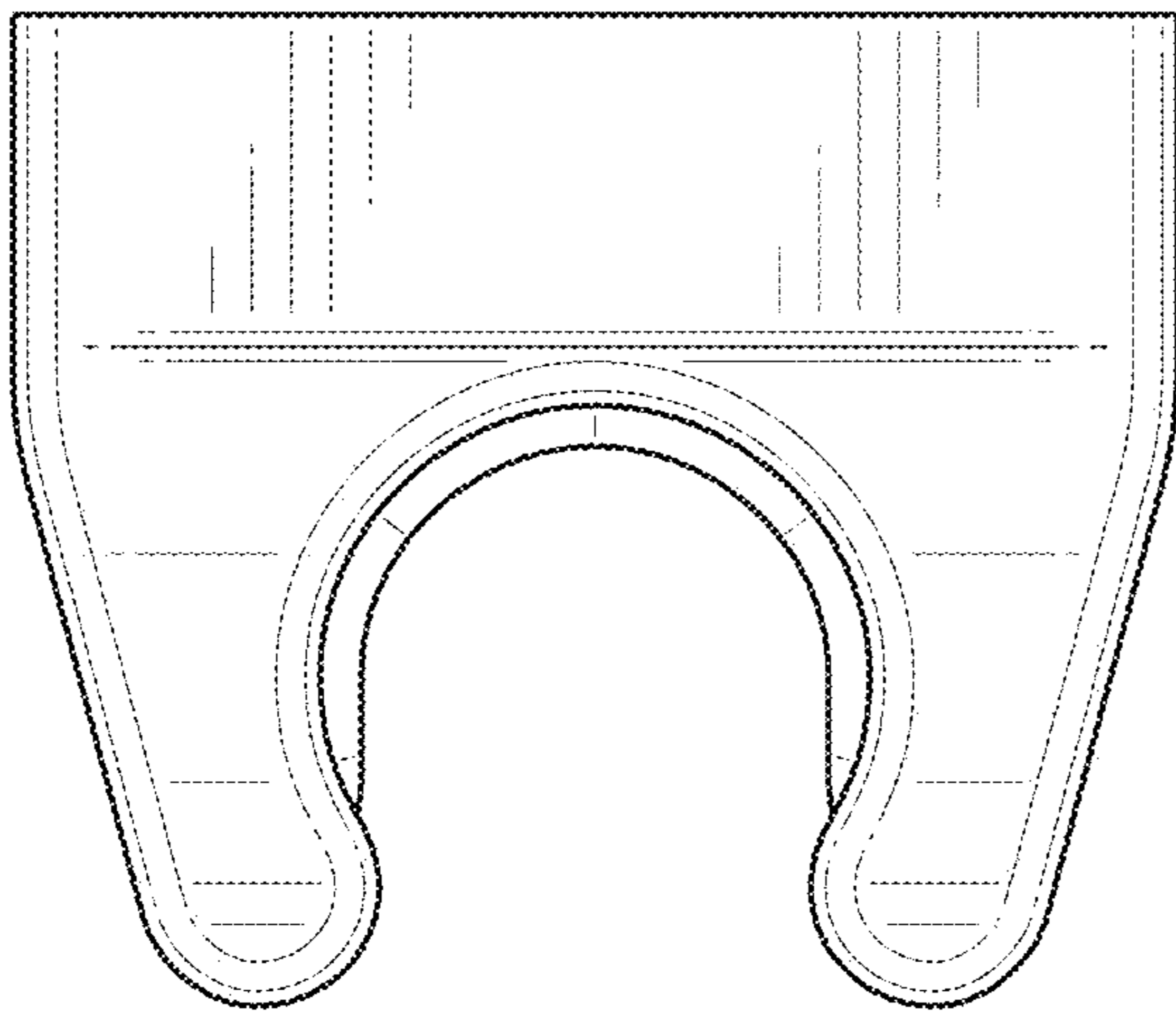


FIG. 11

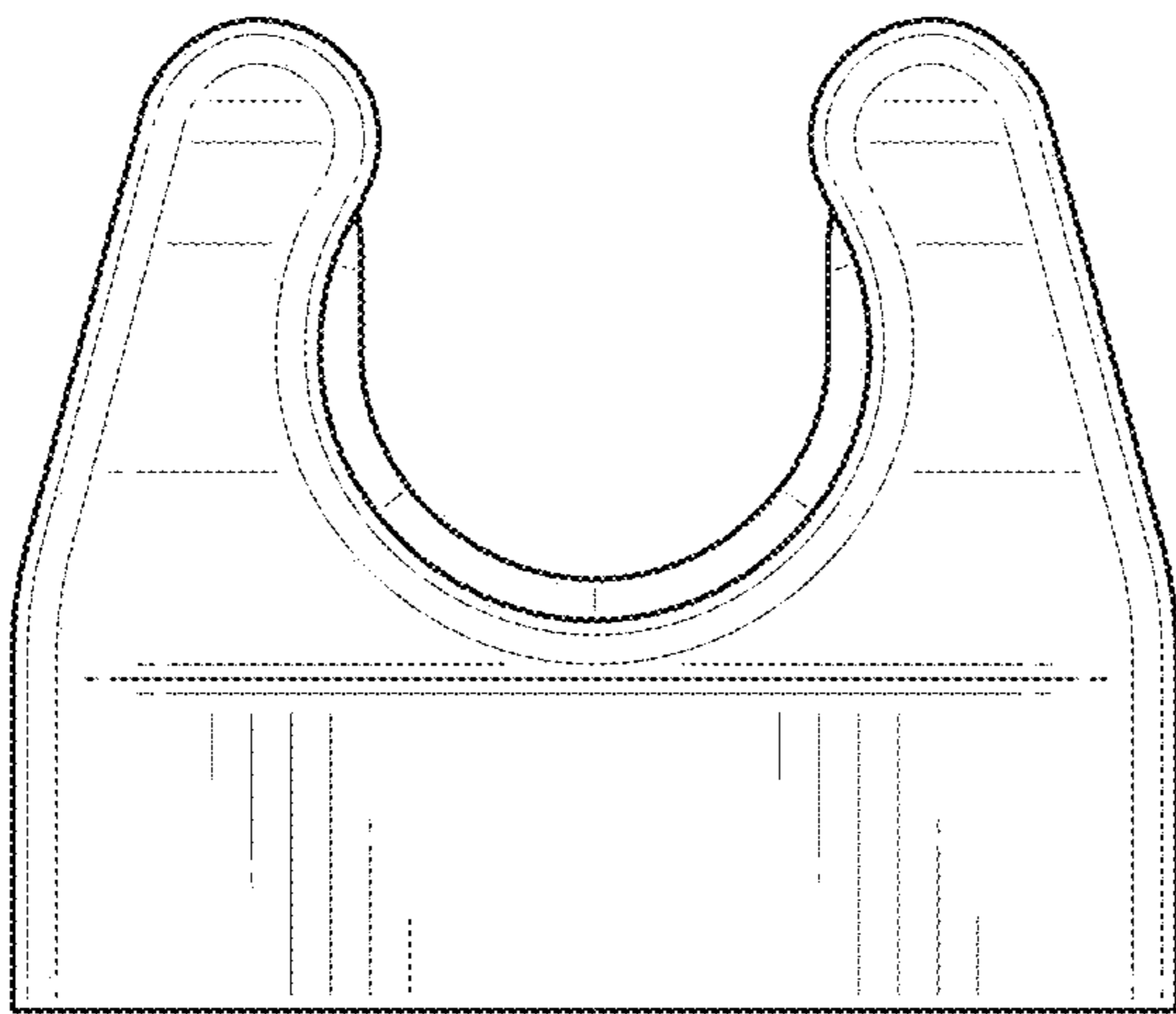


FIG. 12

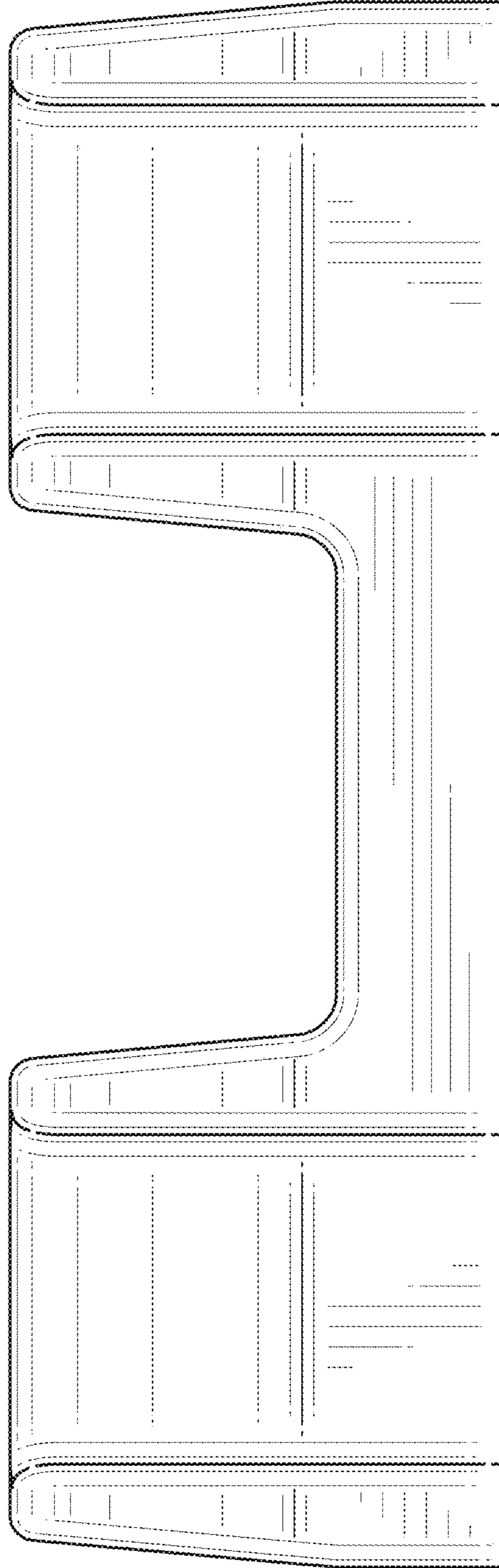


FIG. 13

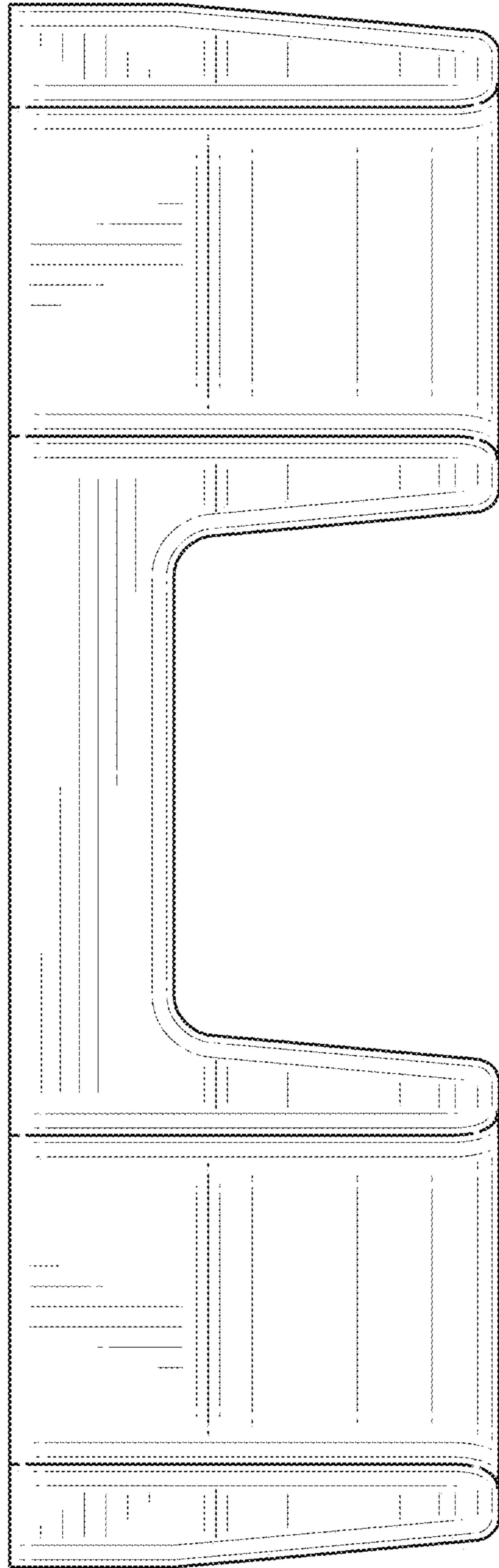


FIG. 14

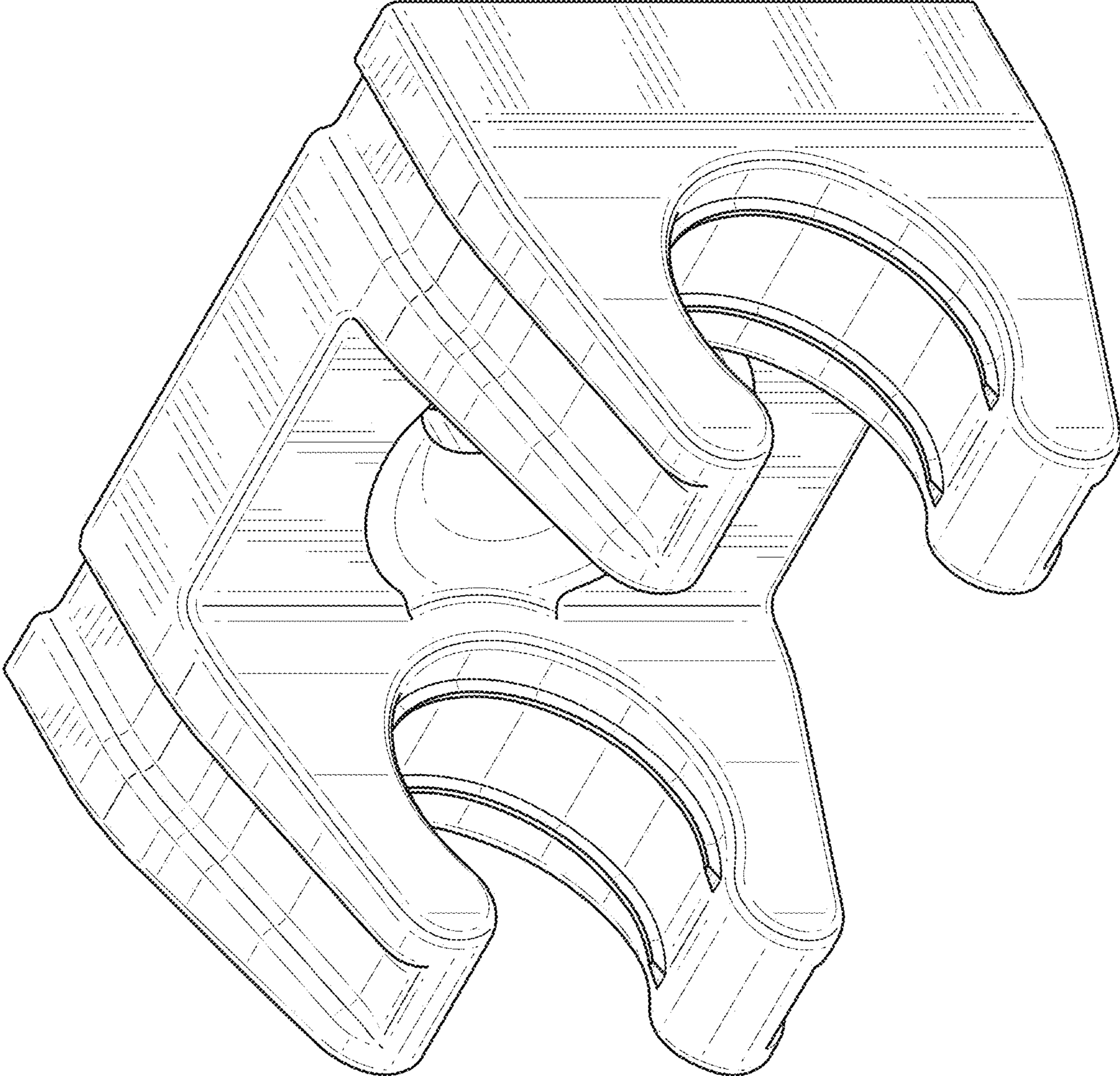


FIG. 15

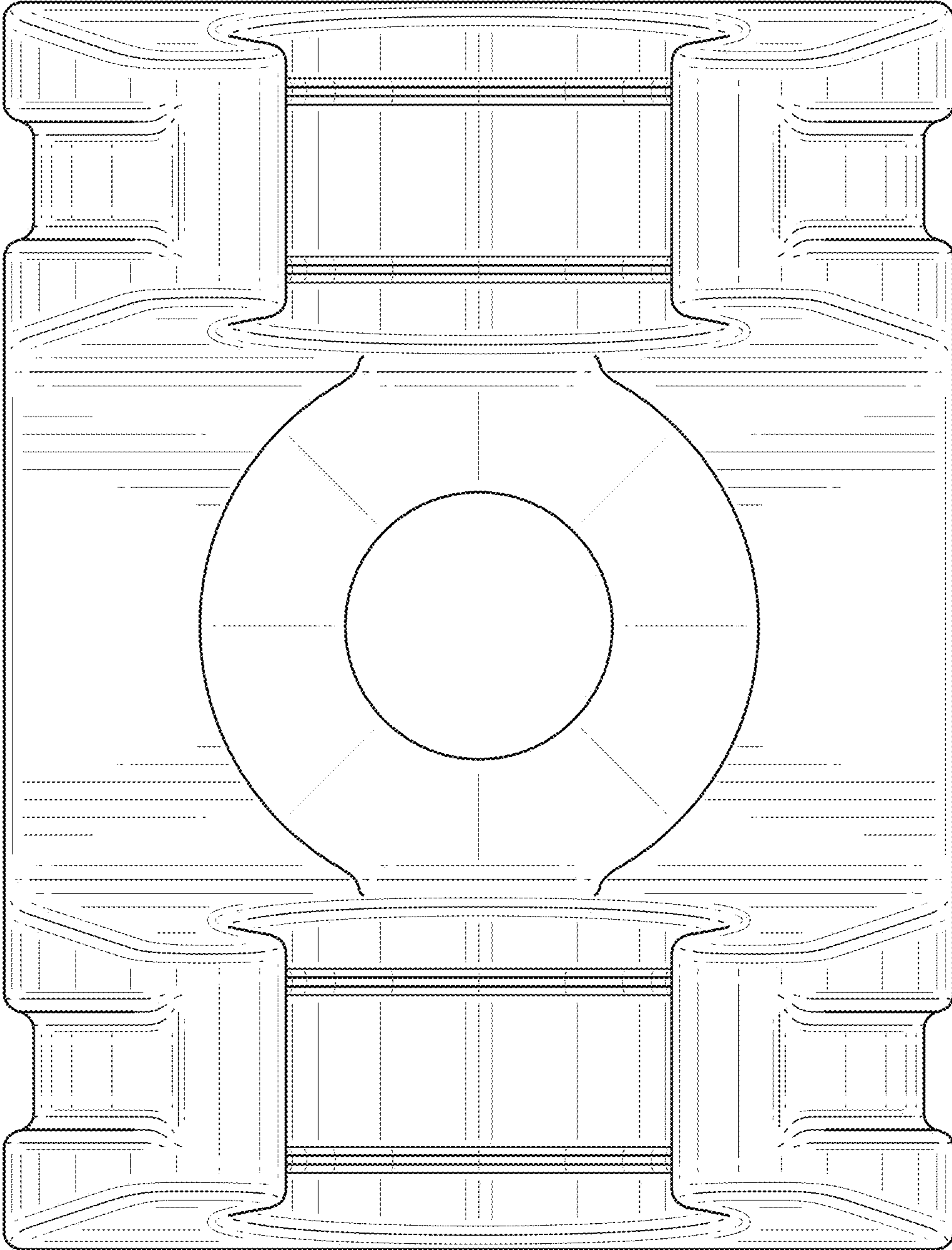


FIG. 16

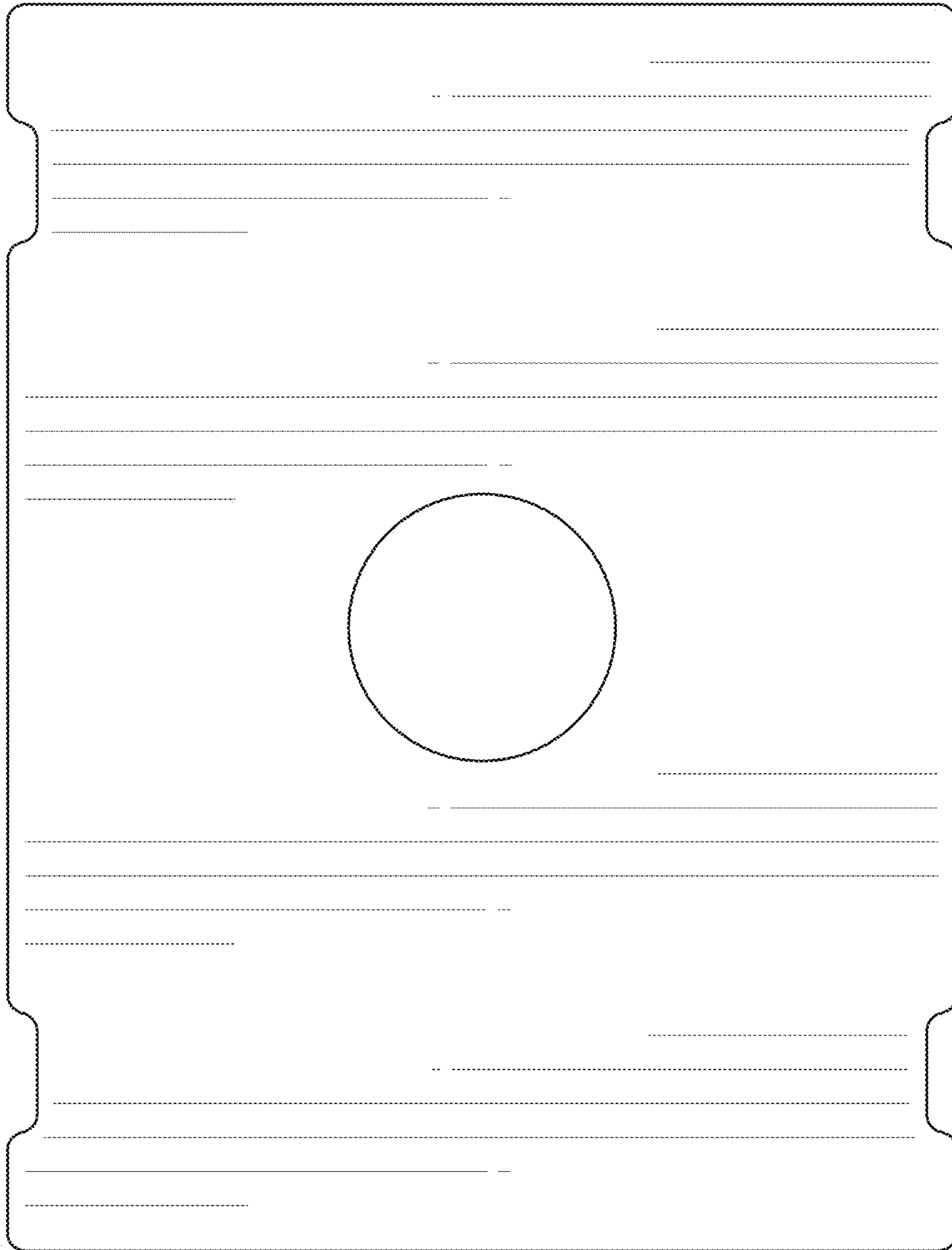


FIG. 17

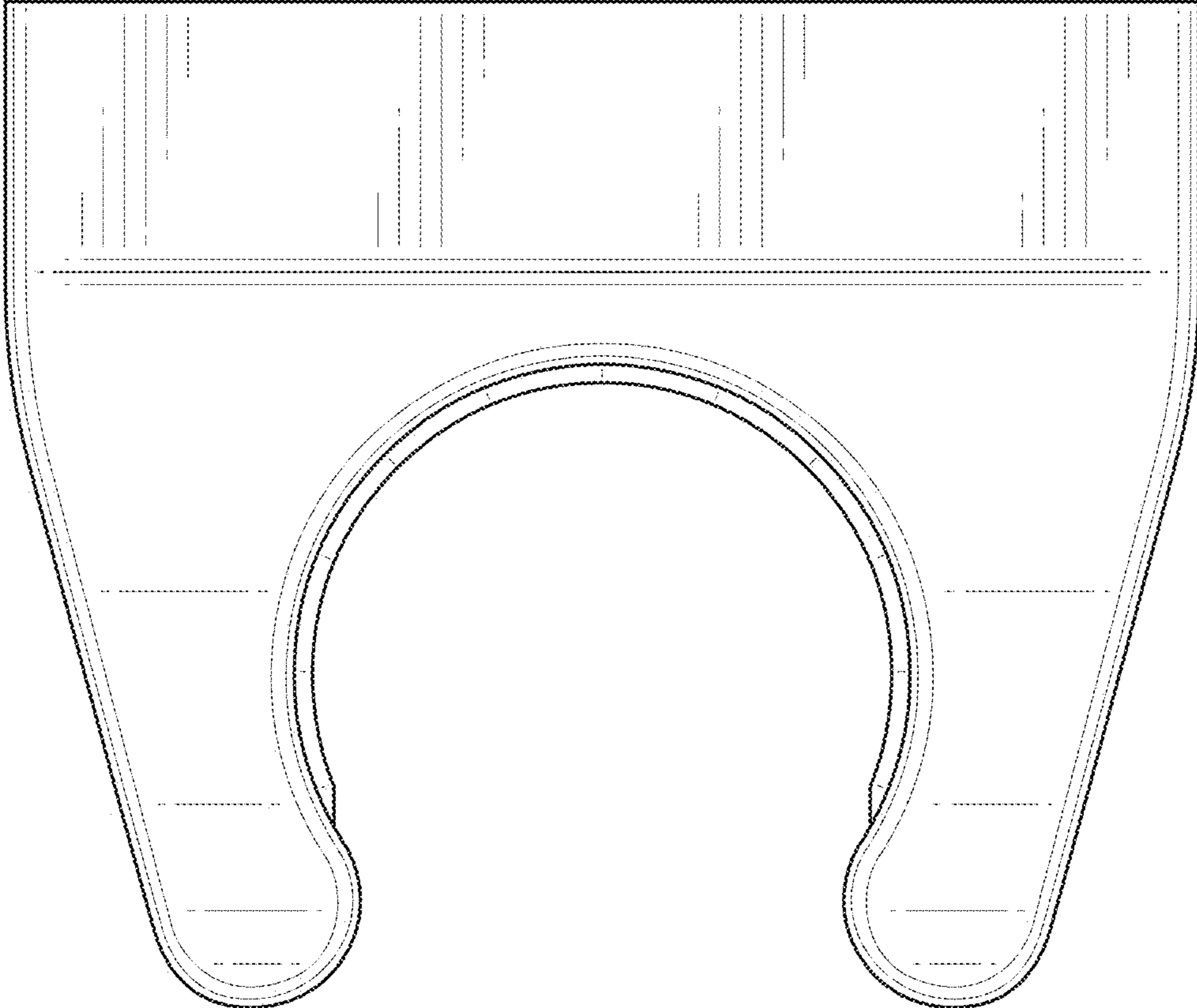


FIG. 18

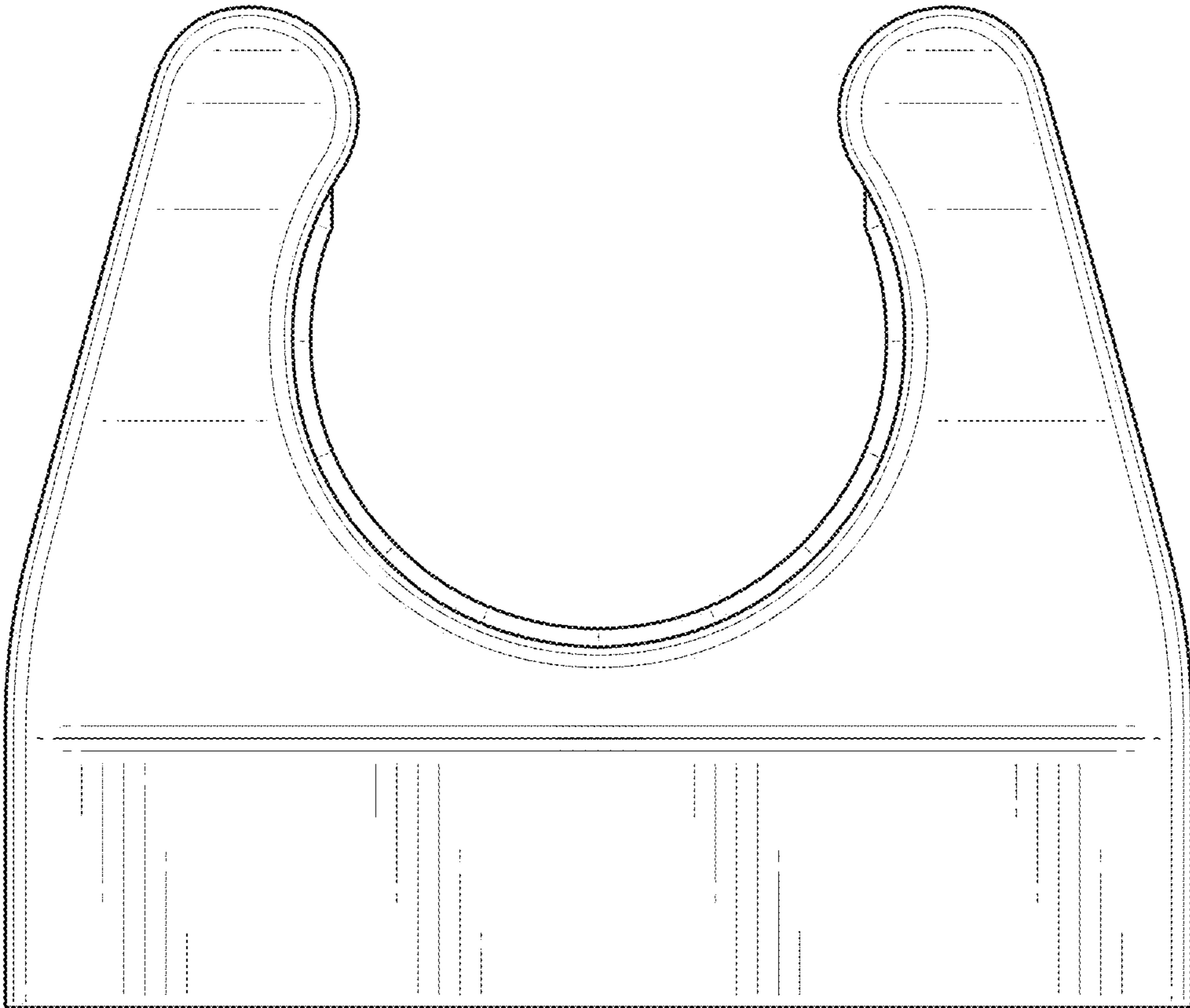


FIG. 19

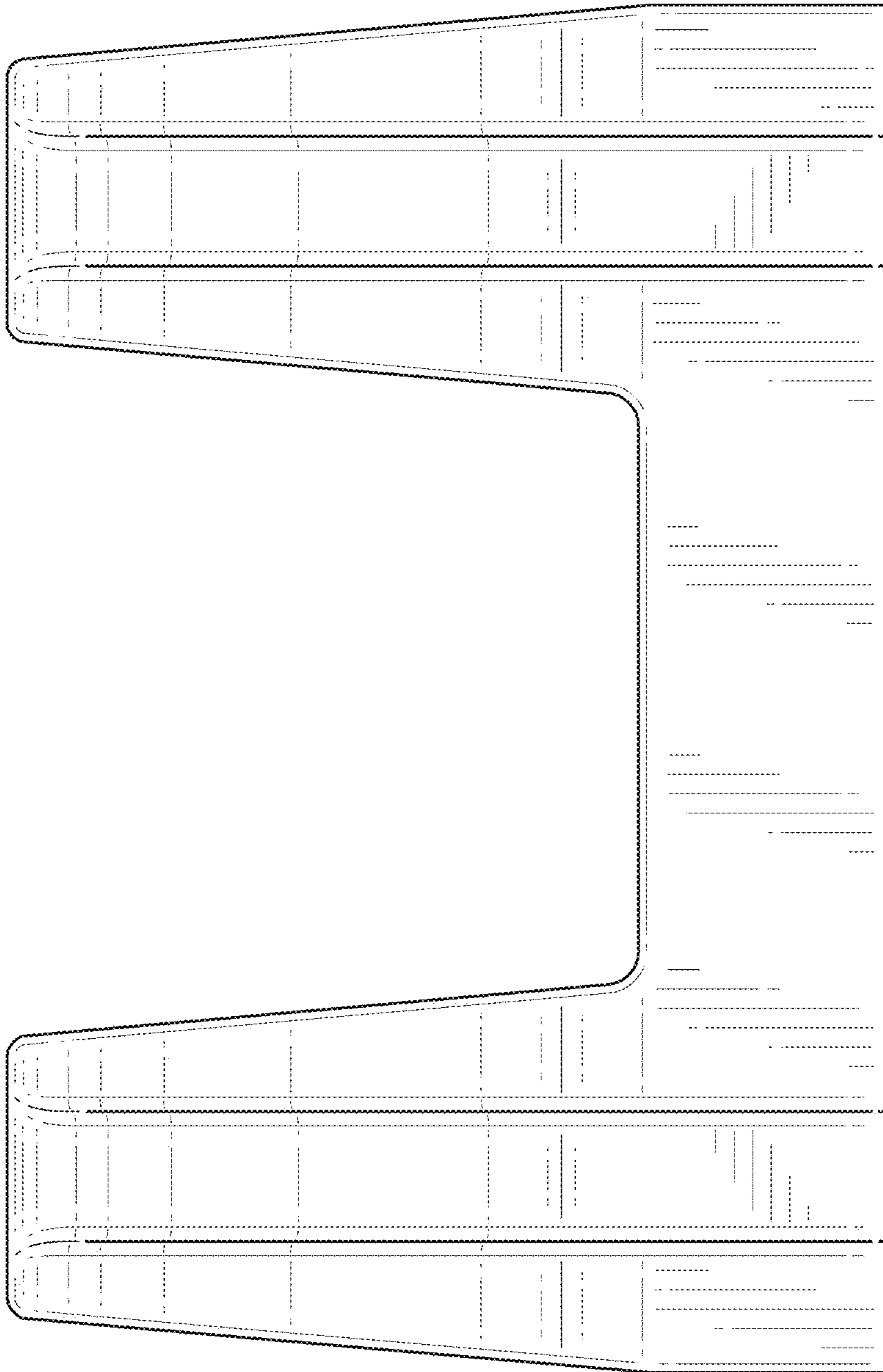


FIG. 20

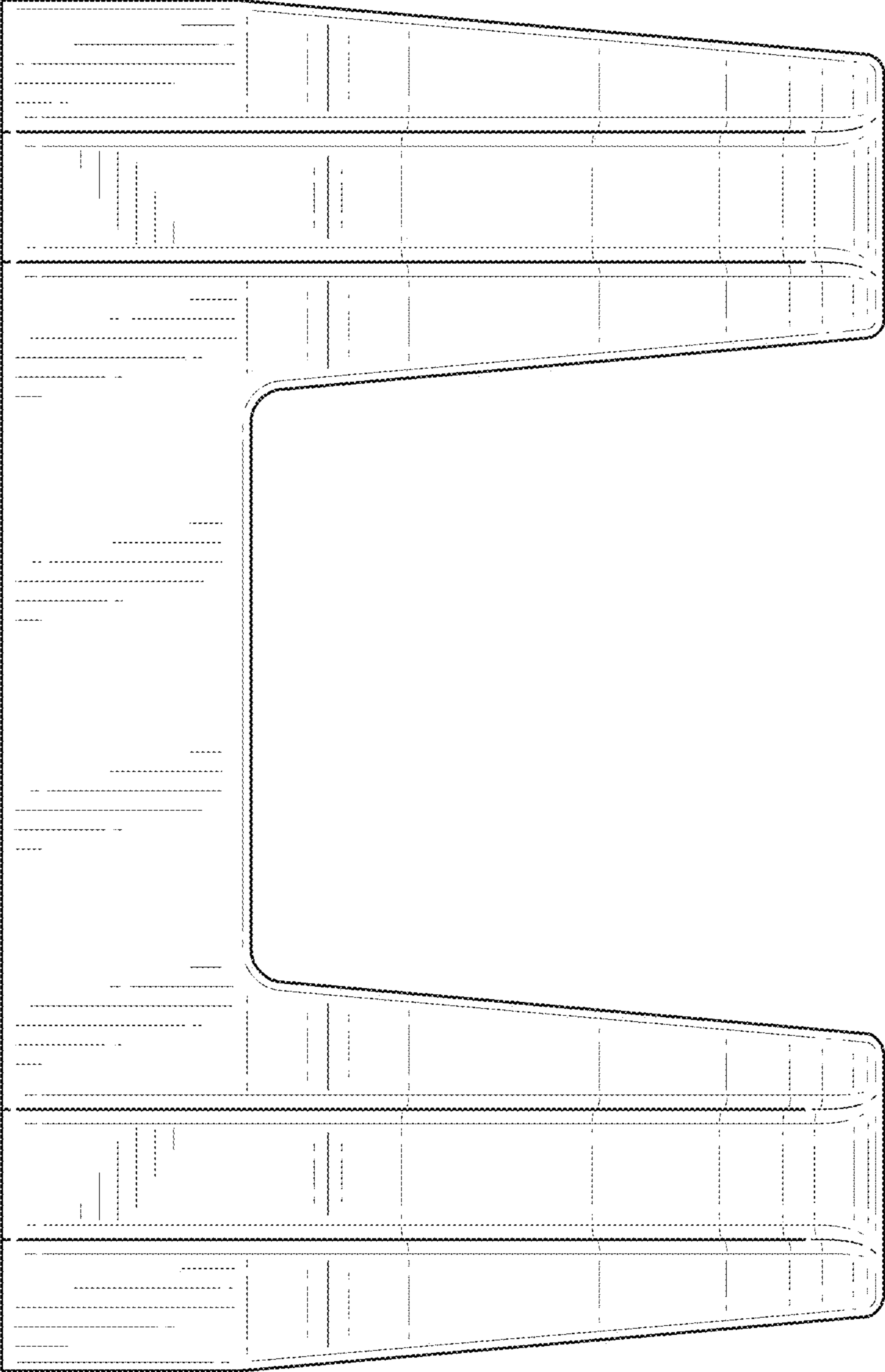


FIG. 21

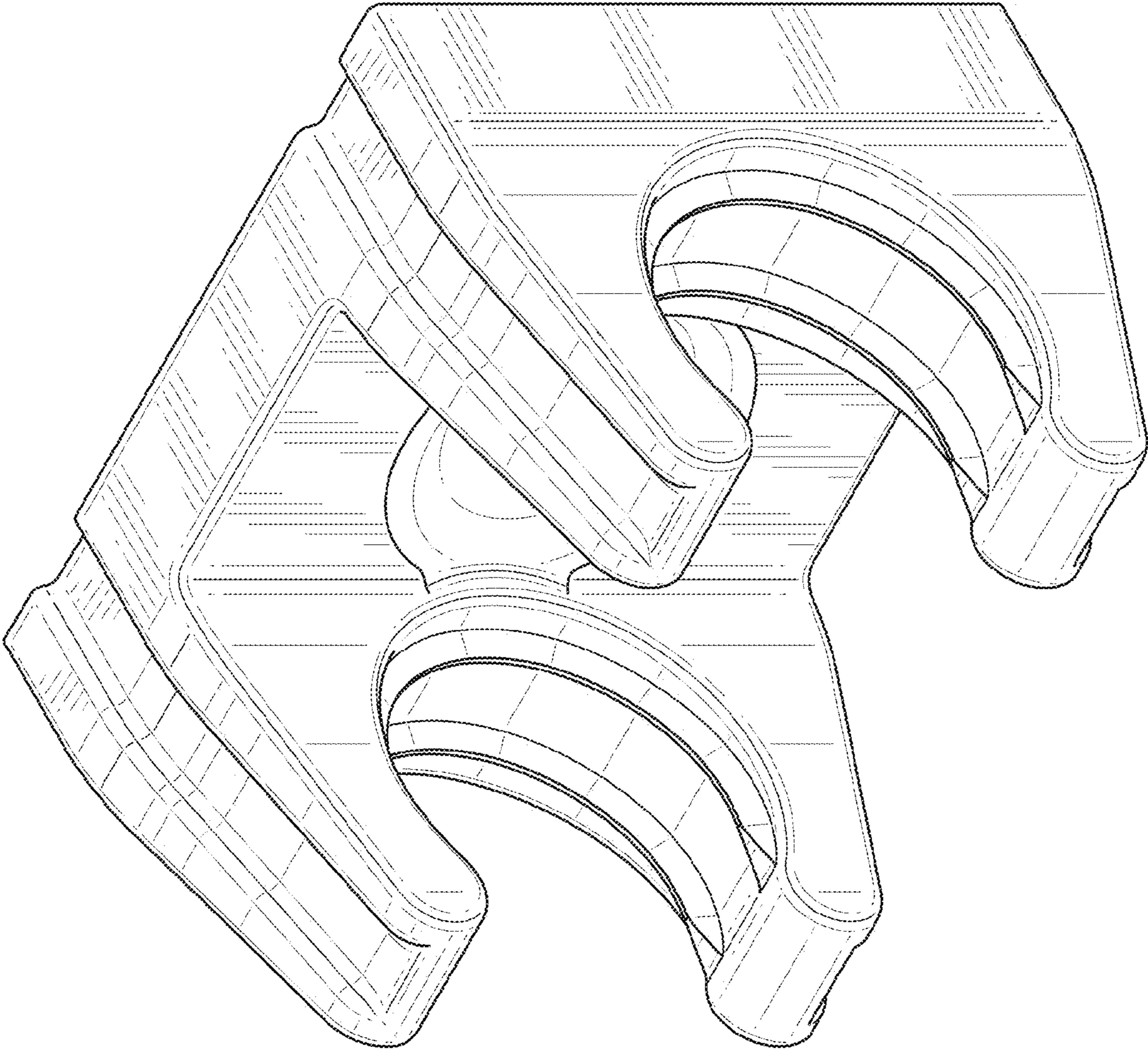


FIG. 22

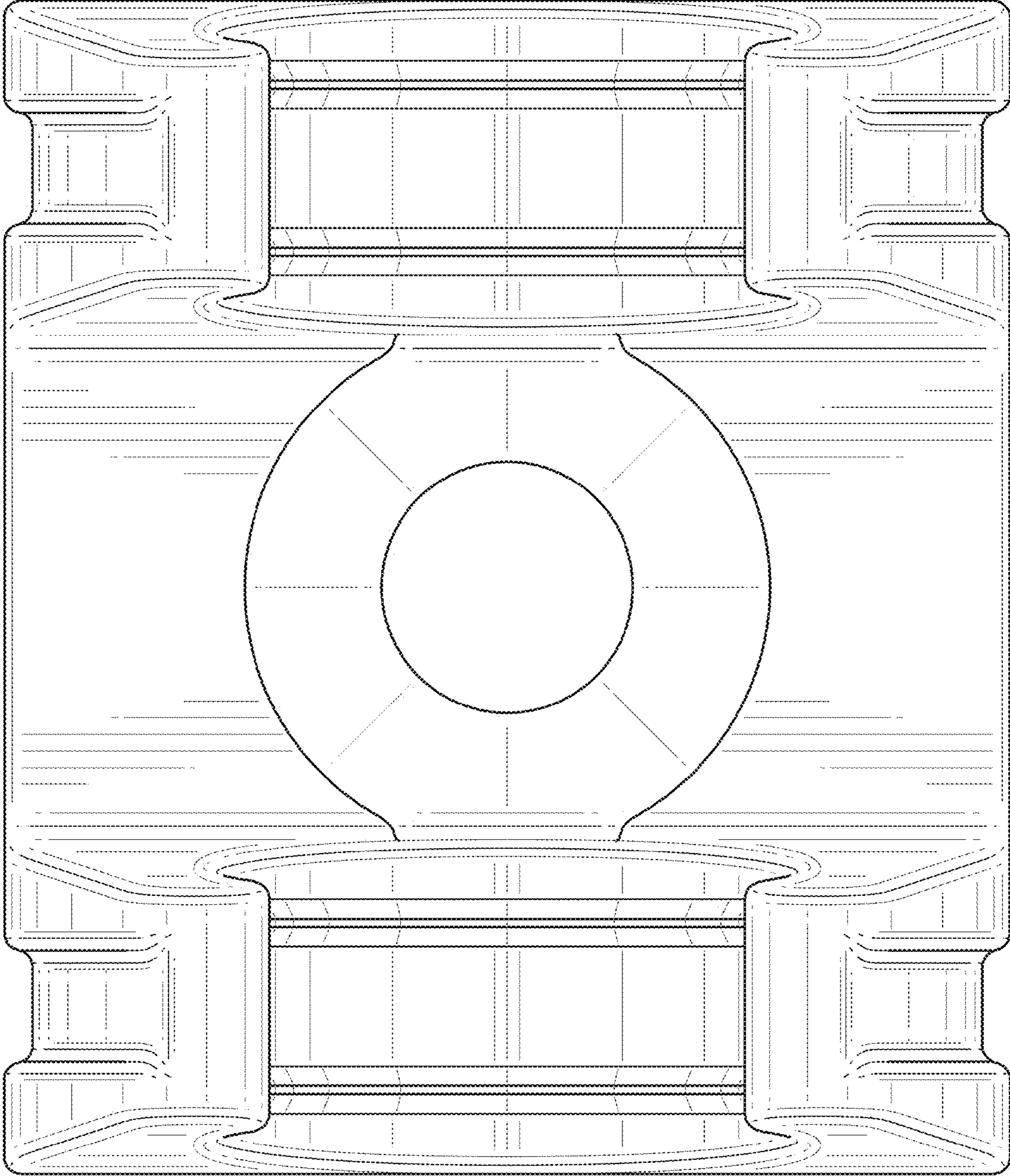


FIG. 23

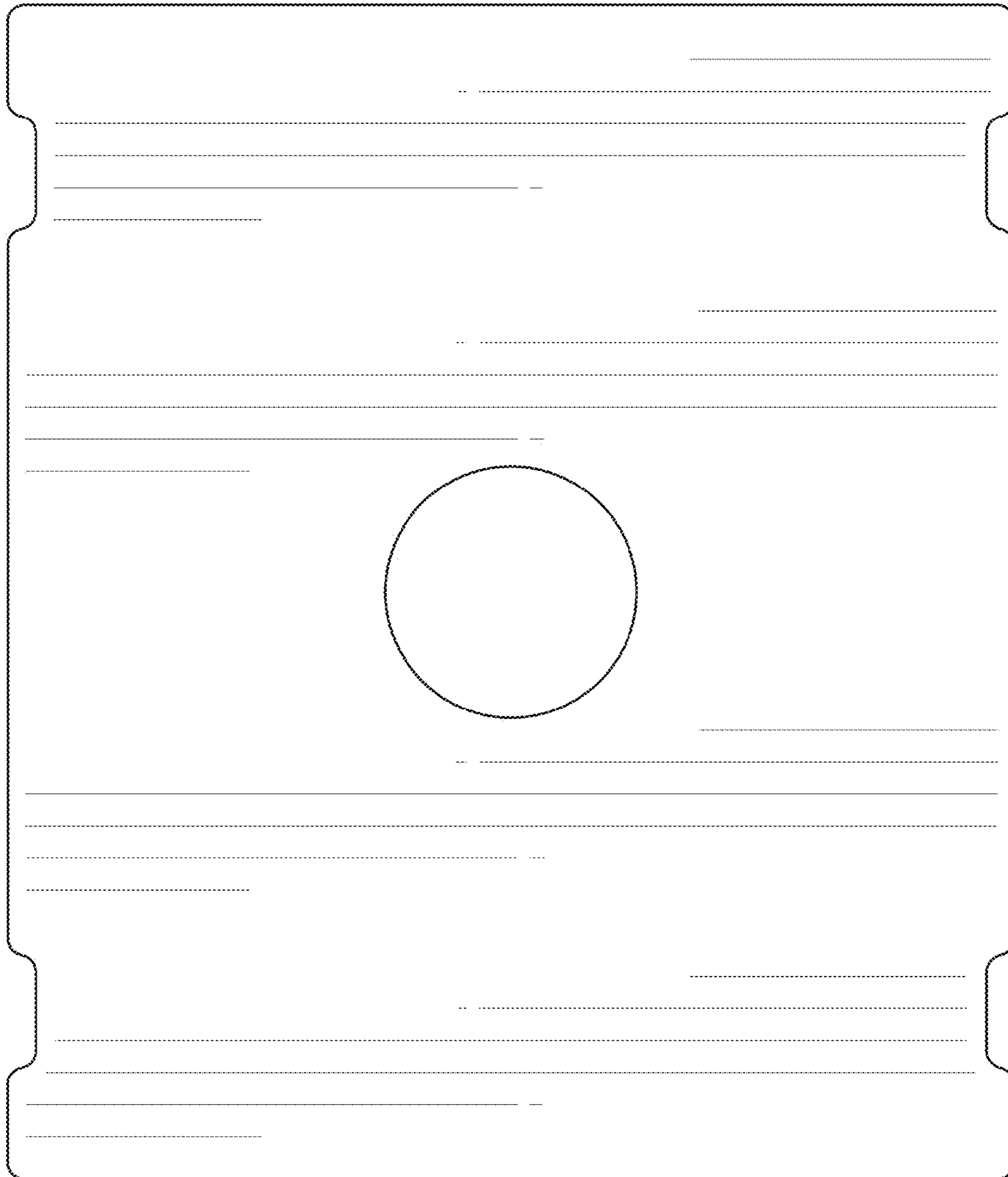


FIG. 24

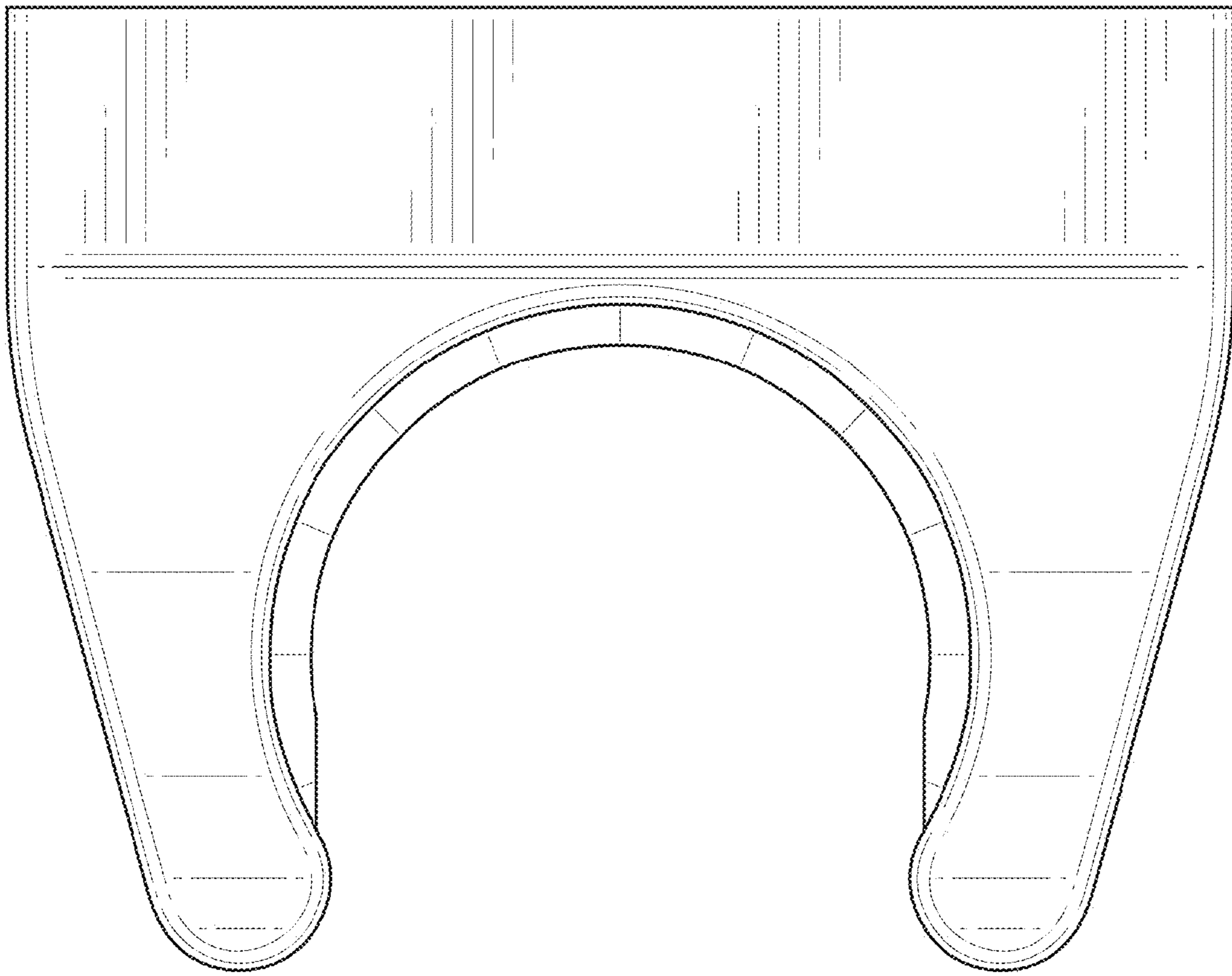


FIG. 25

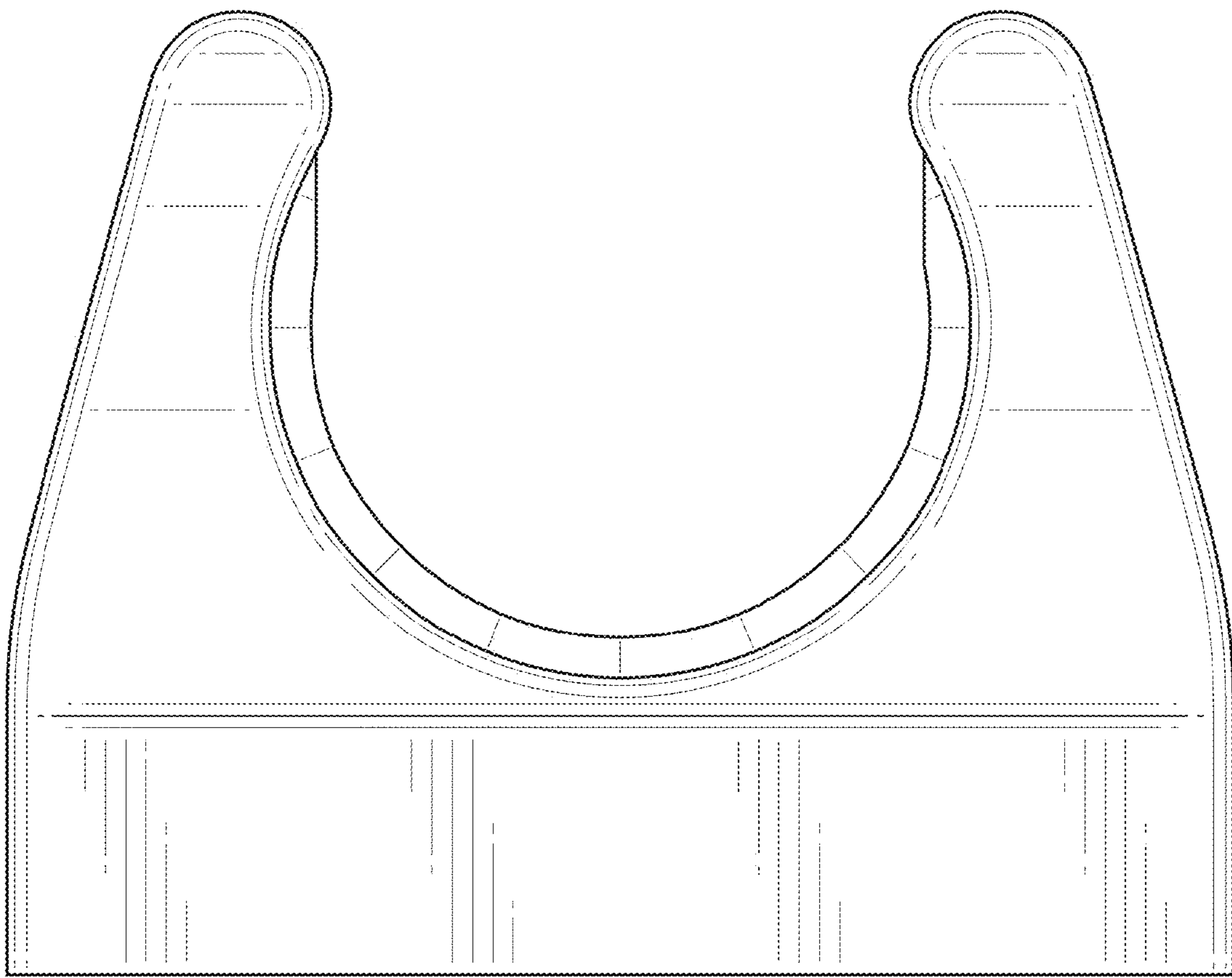


FIG. 26

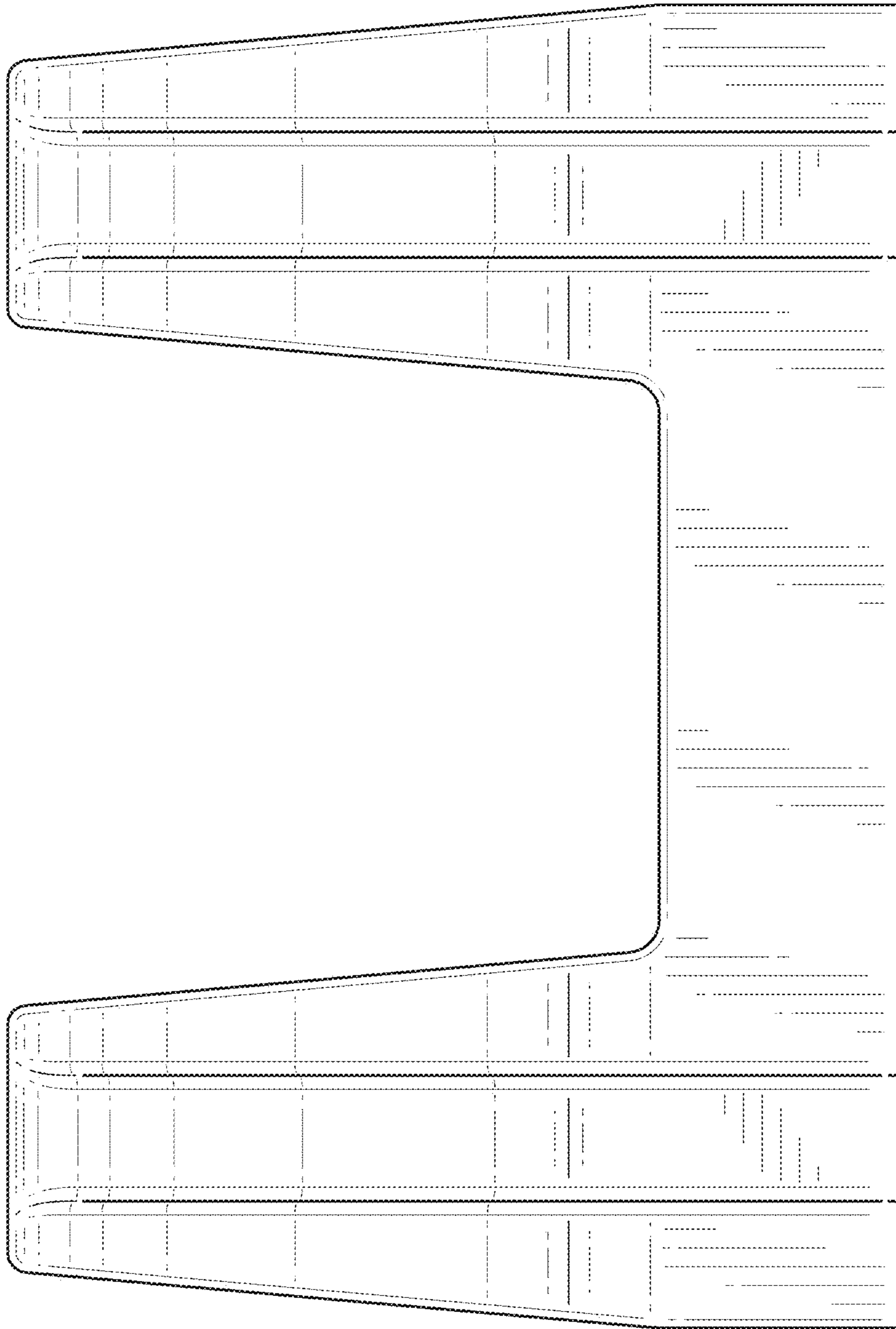


FIG. 27

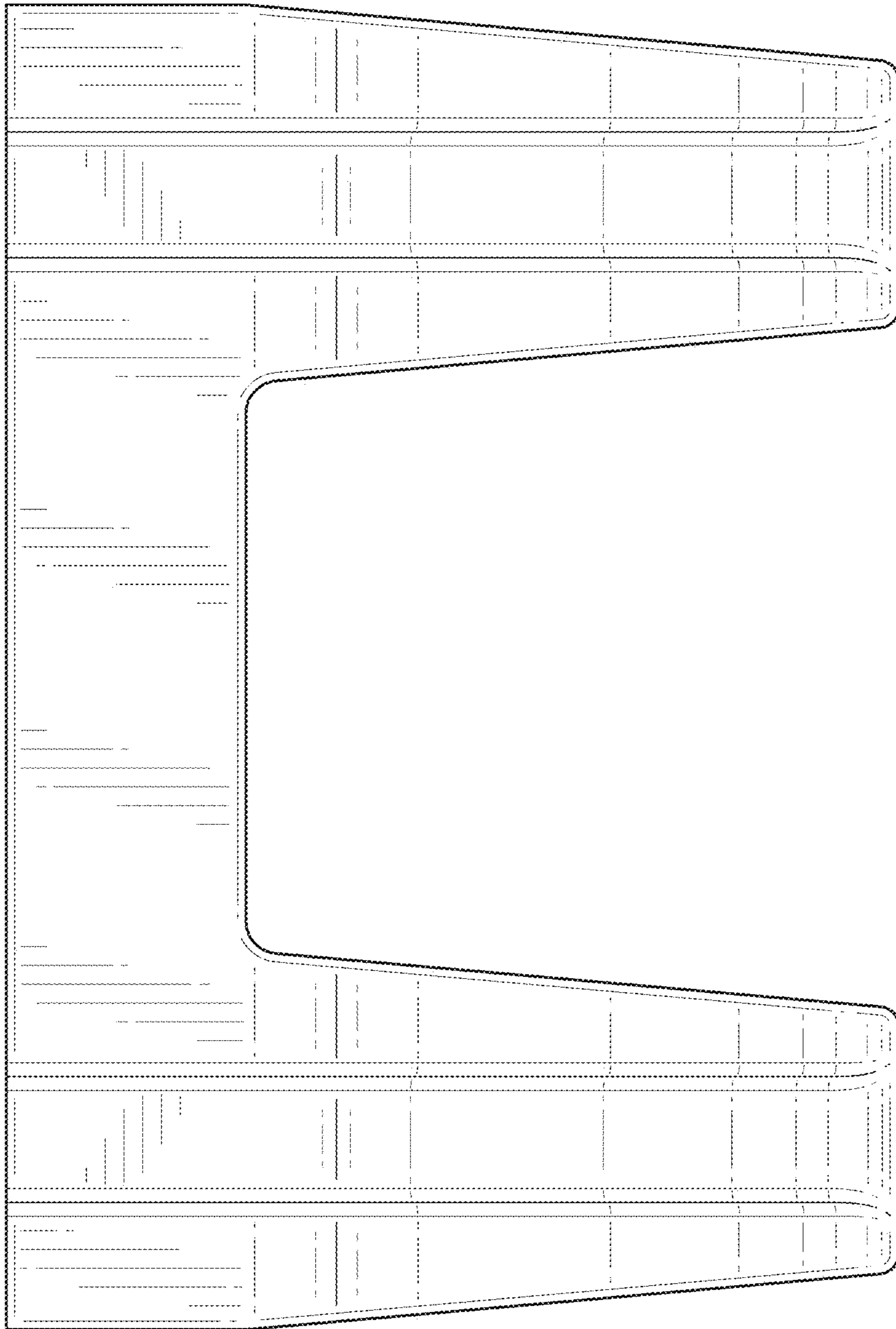


FIG. 28