



US00D883225S

(12) **United States Design Patent** (10) **Patent No.:** **US D883,225 S**
Asano (45) **Date of Patent:** **** May 5, 2020**

(54) **ELECTRICAL CONNECTOR**

(71) Applicant: **HOSIDEN CORPORATION**, Yao-shi, Osaka (JP)

(72) Inventor: **Takao Asano**, Isesaki (JP)

(73) Assignee: **HOSIDEN CORPORATION**, Yao-shi (JP)

(**) Term: **15 Years**

(21) Appl. No.: **29/637,283**

(22) Filed: **Feb. 15, 2018**

(30) **Foreign Application Priority Data**

Aug. 30, 2017 (JP) 2017-018618

(51) **LOC (12) Cl.** **13-03**

(52) **U.S. Cl.**
USPC **D13/147**

(58) **Field of Classification Search**
USPC D13/146, 147, 123, 133, 137.1-139.8, D13/154

CPC H01R 13/64; H01R 12/712; H01R 24/50; H01R 2103/00; H01R 33/20

See application file for complete search history.

(56) **References Cited**

U.S. PATENT DOCUMENTS

D216,888 S *	3/1970	Kunkle et al.	D13/147
D450,659 S *	11/2001	Hu	D13/147
D587,201 S *	2/2009	Allwood	D13/133
D612,807 S *	3/2010	Mancini	D13/133
D615,039 S *	5/2010	Mancini	D13/133
D616,820 S *	6/2010	Gong	D13/133
7,914,344 B2 *	3/2011	Tin	H01R 13/64 439/675

D658,586 S *	5/2012	Lin	D13/146
D754,070 S *	4/2016	Wu	D13/133
D754,071 S *	4/2016	Wu	D13/133
D827,574 S *	9/2018	Kawakami	D13/133
D835,044 S *	12/2018	Ramanna	D13/146

* cited by examiner

Primary Examiner — Bridget L Eland

(74) *Attorney, Agent, or Firm* — Kratz, Quintos & Hanson, LLP

(57) **CLAIM**

The ornamental design for an electrical connector, as shown and described.

DESCRIPTION

FIG. 1 is a front elevational view of an electrical connector showing my new design;

FIG. 2 is a back elevational view thereof;

FIG. 3 is a top plan view thereof;

FIG. 4 is a bottom plan view thereof;

FIG. 5 is a right side elevational view thereof;

FIG. 6 is a left side elevational view thereof;

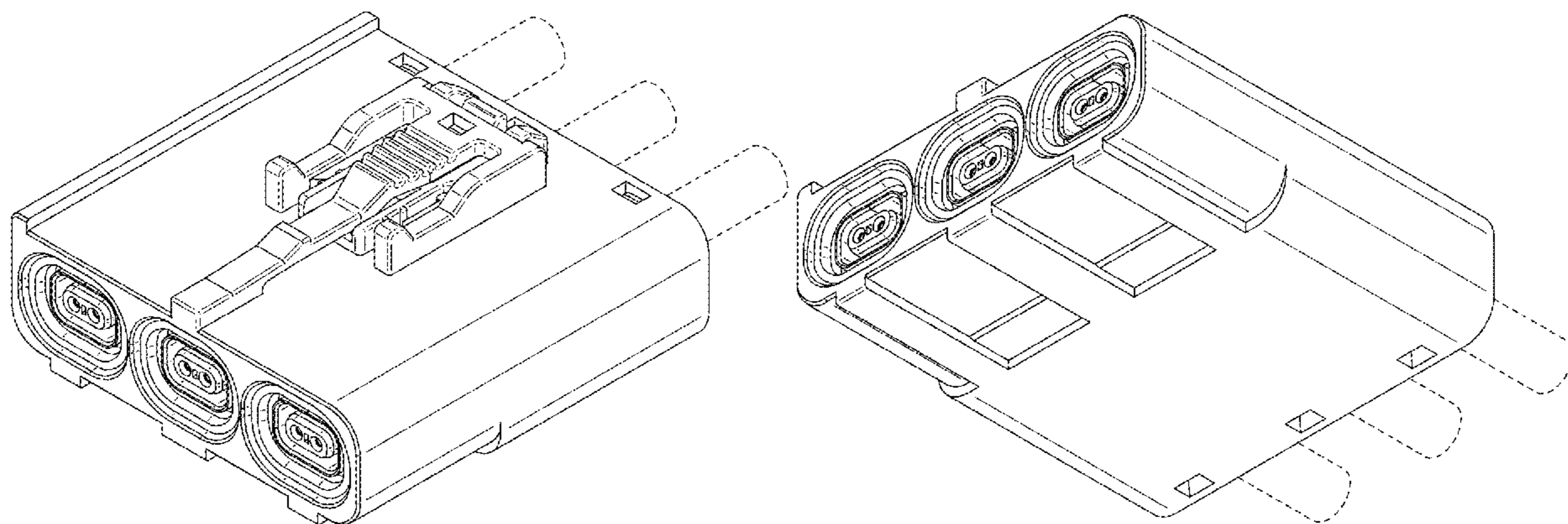
FIG. 7 is a top, front, and right side perspective view thereof; and,

FIG. 8 is a bottom, front, and tight side perspective view thereof.

The broken lines are included for the purpose of illustrating environmental structures and form no part of the claimed design.

The outermost broken lines immediately adjacent to the full line showing of the claimed design represent the bounds of the claimed design while all other broken lines are directed to environment and are for illustrative purposes only; the broken lines form no part of the claimed design.

1 Claim, 8 Drawing Sheets



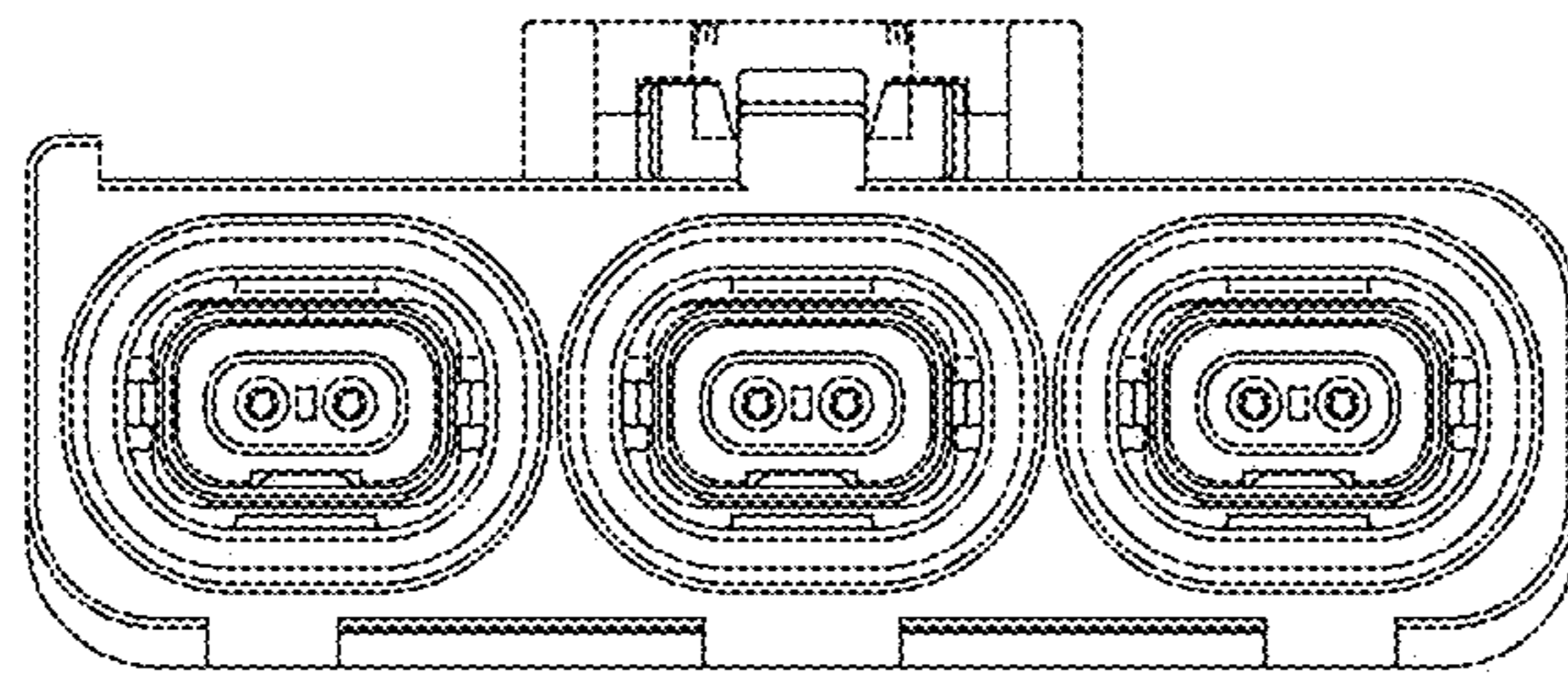


Fig. 1

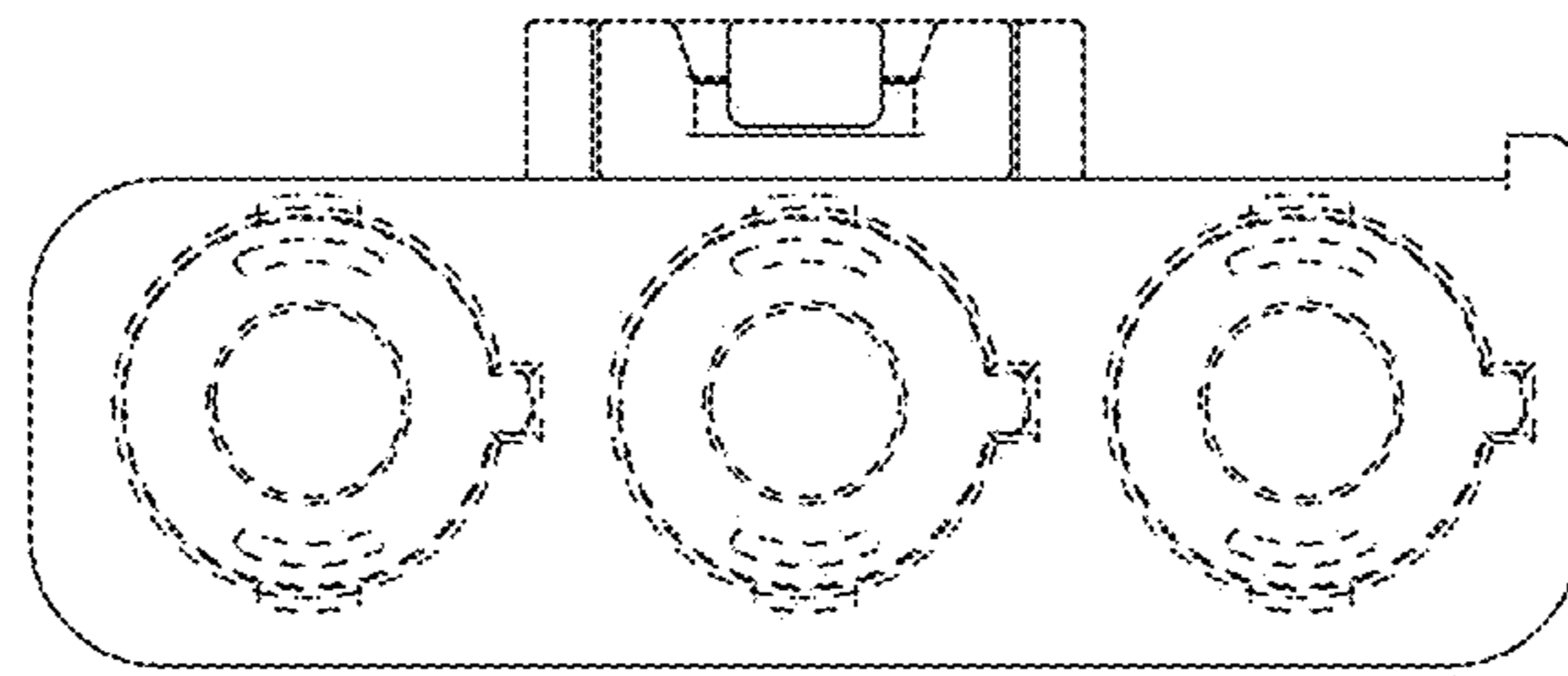


Fig.2

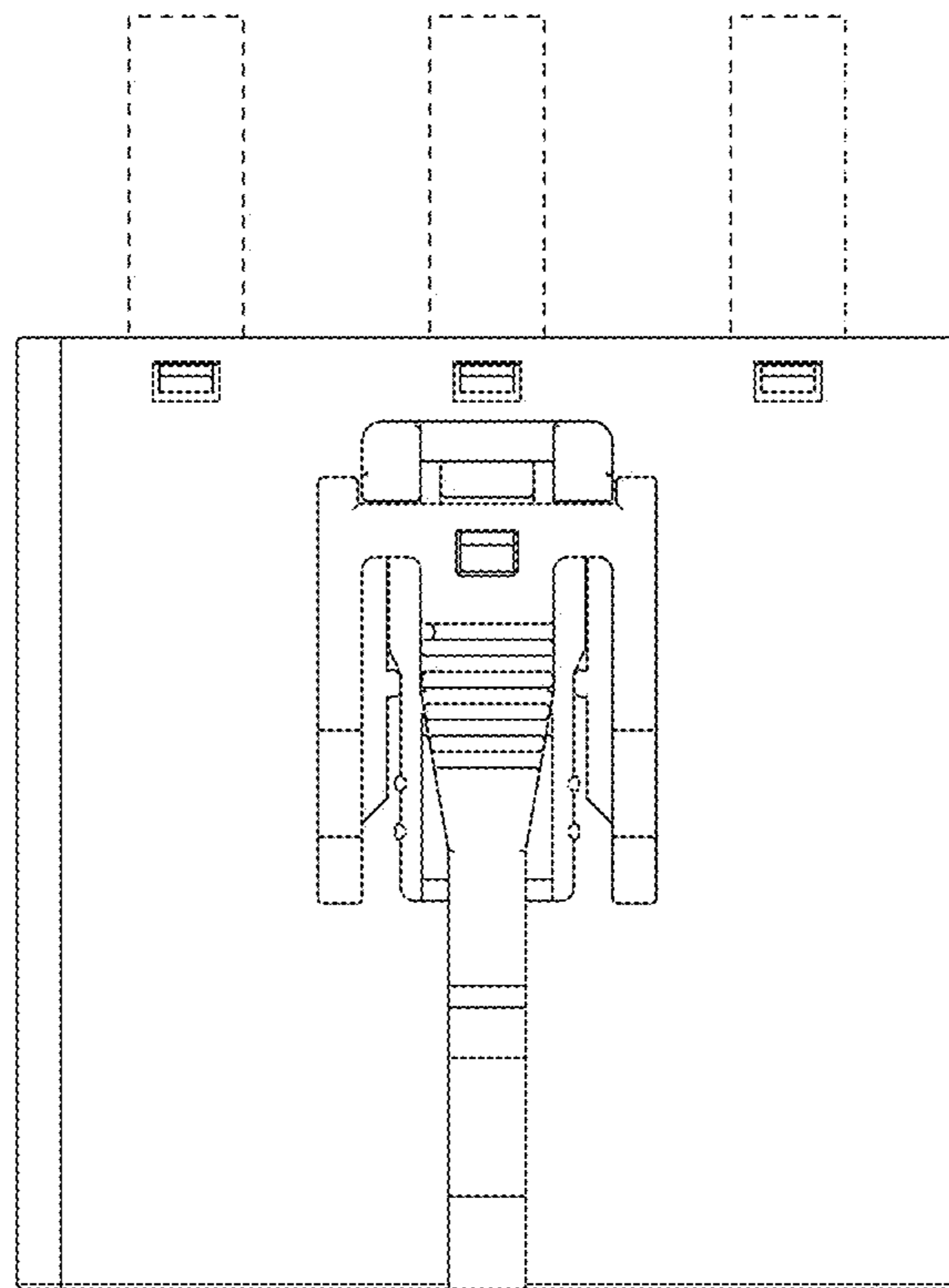


Fig.3

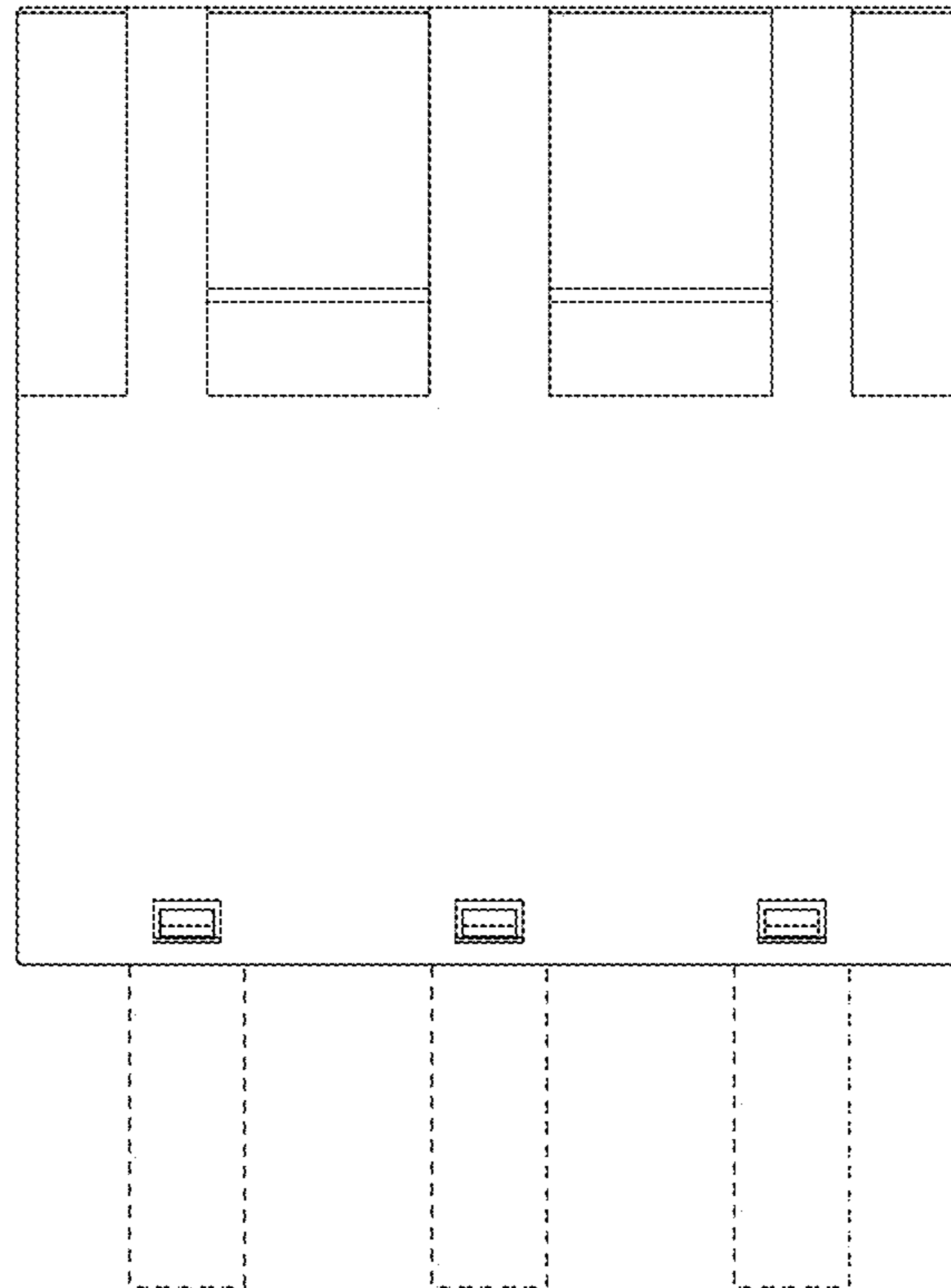


Fig.4

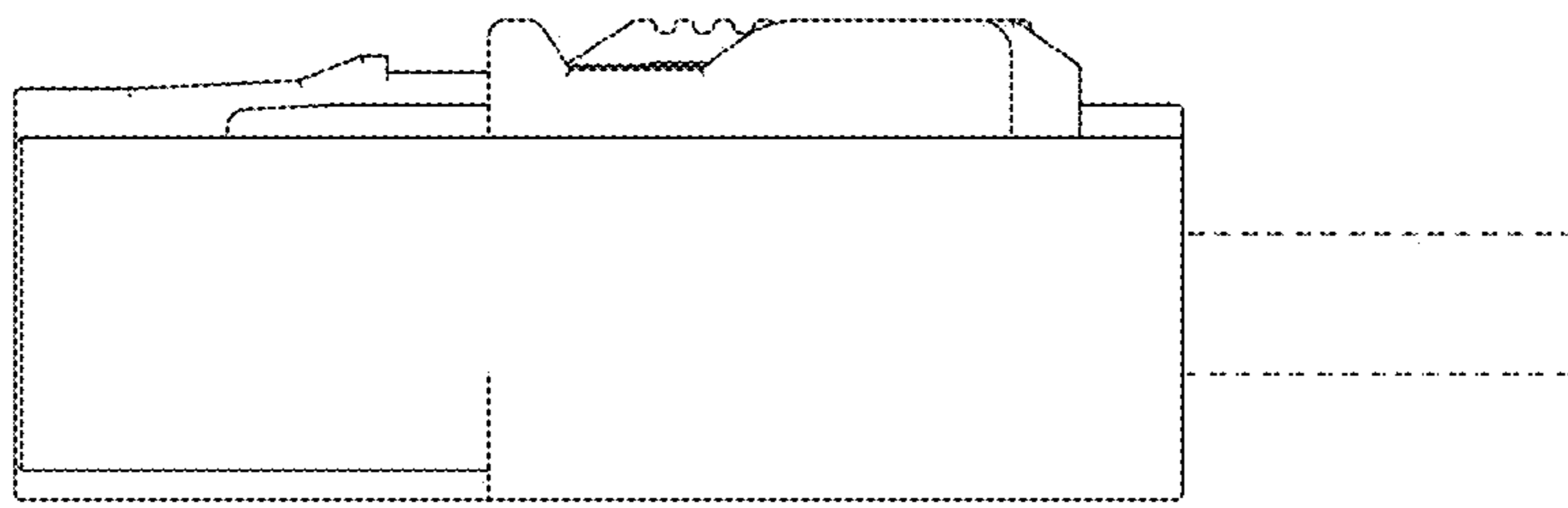


Fig.5

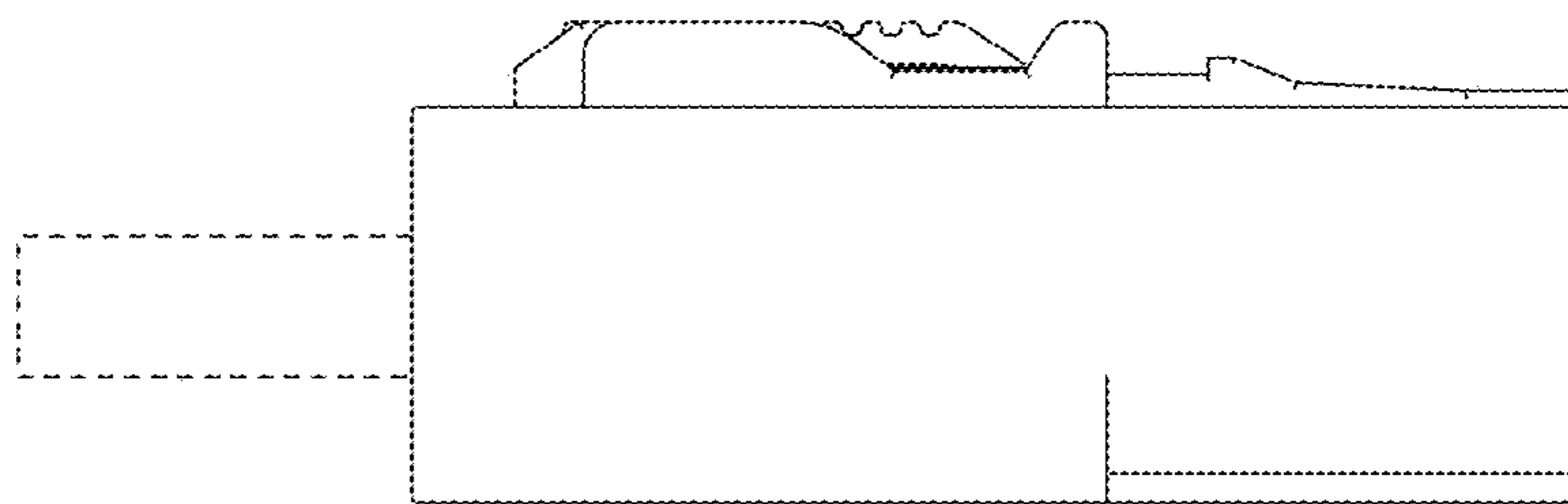


Fig.6

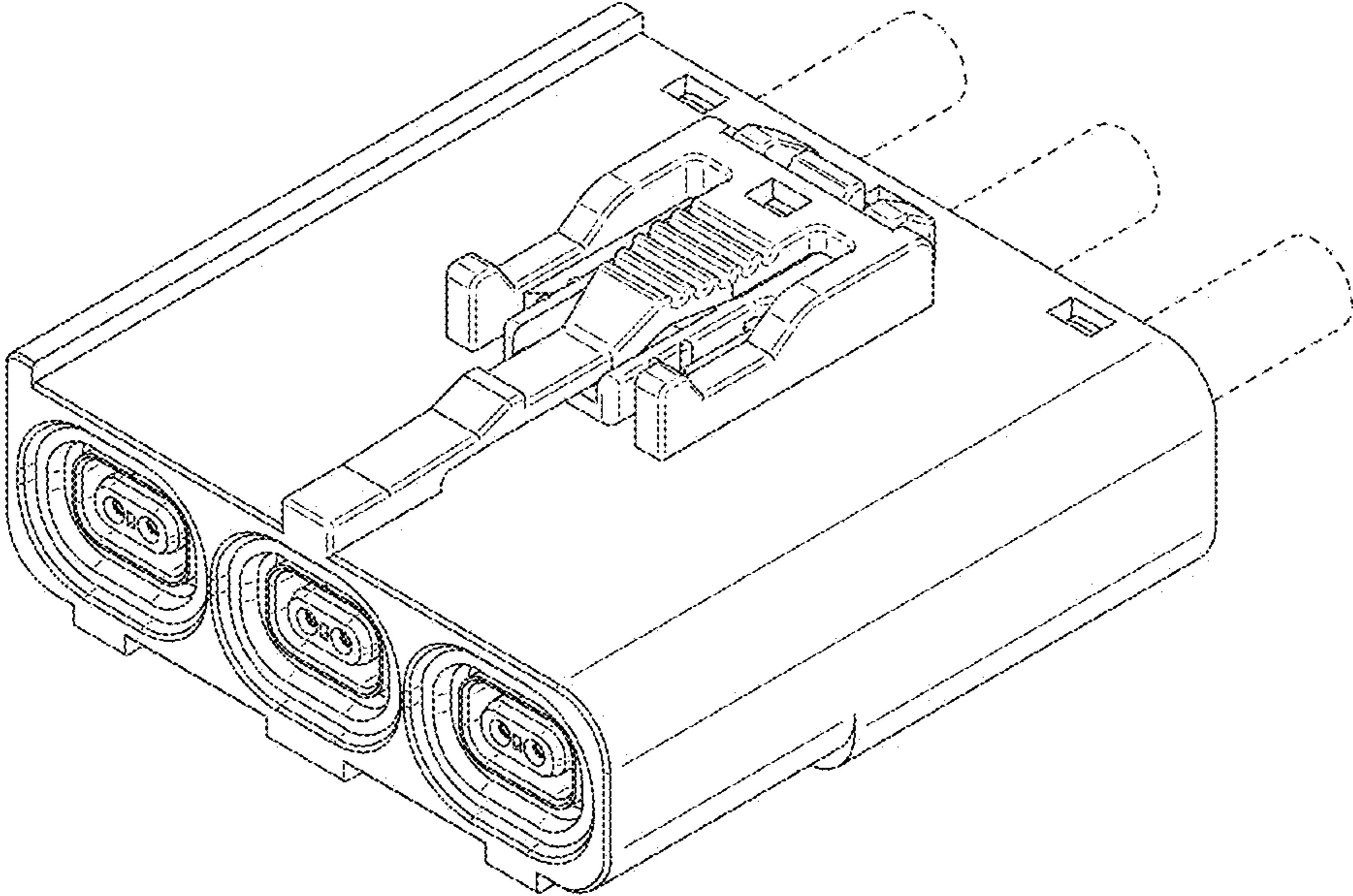


Fig. 7

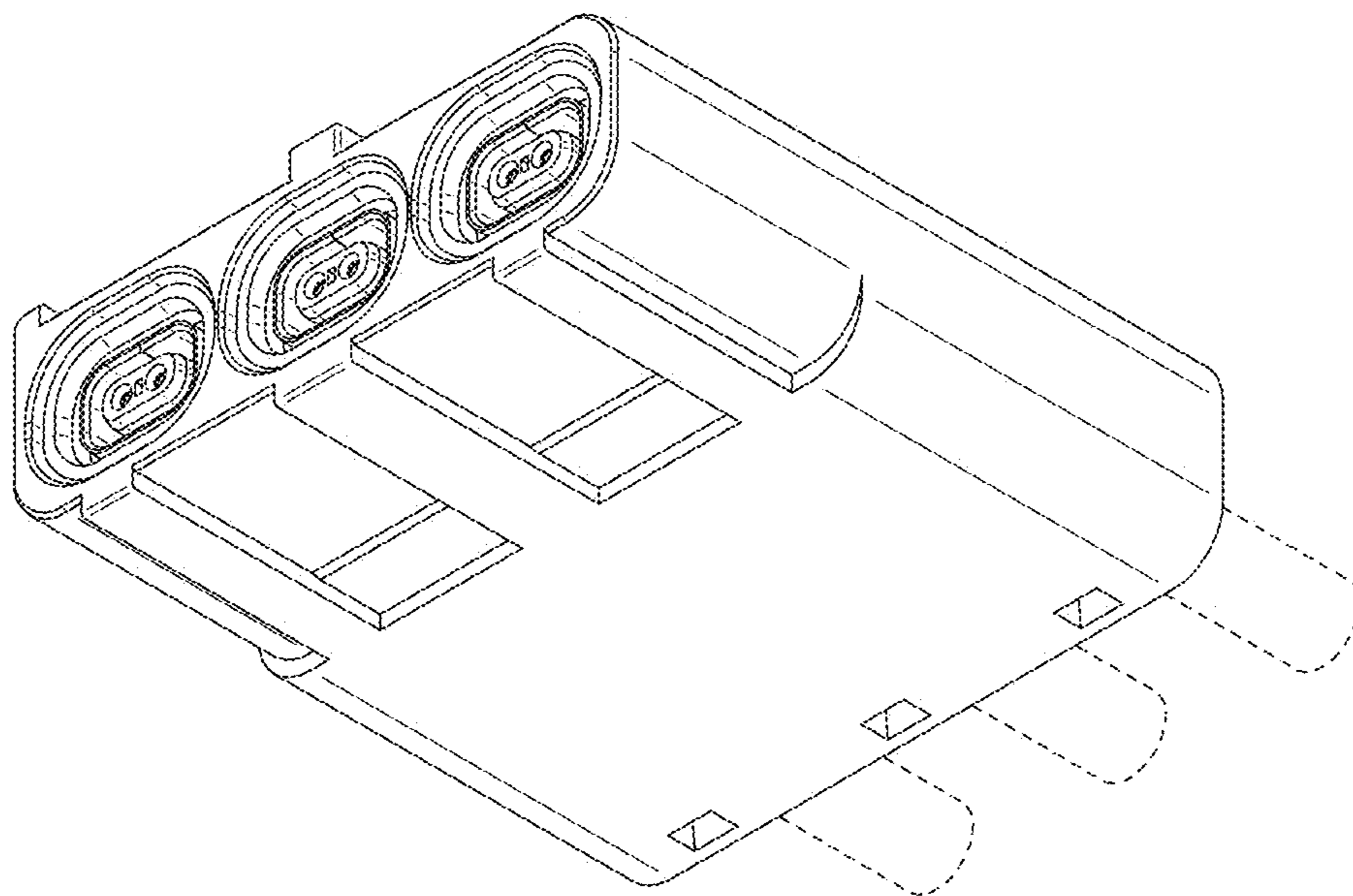


Fig.8