



US00D883224S

(12) **United States Design Patent** (10) **Patent No.:** **US D883,224 S**
Asano (45) **Date of Patent:** **** *May 5, 2020**

(54) **ELECTRICAL CONNECTOR**

(71) Applicant: **HOSIDEN CORPORATION**, Yao-shi, Osaka (JP)

(72) Inventor: **Takao Asano**, Isesaki (JP)

(73) Assignee: **HOSIDEN CORPORATION**, Yao-shi (JP)

(*) Notice: This patent is subject to a terminal disclaimer.

(**) Term: **15 Years**

(21) Appl. No.: **29/637,272**

(22) Filed: **Feb. 15, 2018**

(30) **Foreign Application Priority Data**

Aug. 30, 2017 (JP) 2017-018619

(51) **LOC (12) Cl.** **13-03**

(52) **U.S. Cl.**
USPC **D13/147**

(58) **Field of Classification Search**
USPC D13/146, 147, 123, 133, 137.1-139.8, D13/154

CPC H01R 24/62; H01R 13/7039; H01R 27/00; H01R 2201/04; H01R 2201/16

See application file for complete search history.

(56) **References Cited**

U.S. PATENT DOCUMENTS

D314,755 S * 2/1991 Endo D13/147
D315,331 S * 3/1991 Yamamoto D13/146
D325,372 S * 4/1992 Taguchi D13/147
5,141,452 A * 8/1992 Yoneda H01R 13/4368
439/595

D585,829 S * 2/2009 Ko D13/147
D605,132 S * 12/2009 Tanaka D13/147
D605,134 S * 12/2009 Tanaka D13/147
D620,890 S * 8/2010 Tanaka D13/147
D620,891 S * 8/2010 Tanaka D13/147
D655,678 S * 3/2012 Kobayashi D13/147
D748,587 S * 2/2016 Endo D13/147
D820,214 S * 6/2018 Asano D13/147
D843,323 S * 3/2019 Endo D13/147

* cited by examiner

Primary Examiner — Bridget L Eland

(74) *Attorney, Agent, or Firm* — Kratz, Quintos & Hanson, LLP

(57) **CLAIM**

The ornamental design for an electrical connector, as shown and described.

DESCRIPTION

FIG. 1 is a front elevational view of an electrical connector showing my new design;

FIG. 2 is a back elevational view thereof;

FIG. 3 is a top plan view thereof;

FIG. 4 is a bottom plan view thereof;

FIG. 5 is a right side elevational view thereof;

FIG. 6 is a left side elevational view thereof;

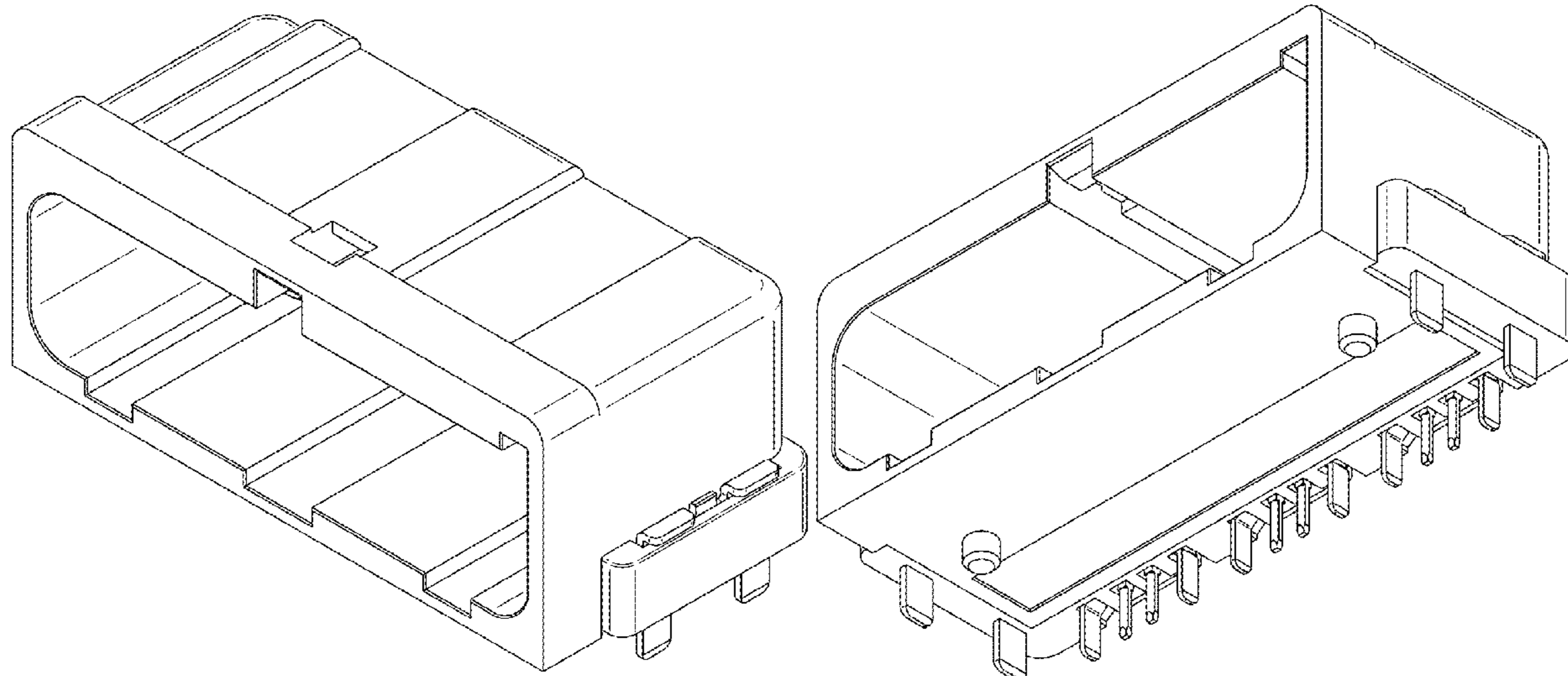
FIG. 7 is a top, front, and right side perspective view thereof;

FIG. 8 is a bottom, front, and right side perspective view thereof; and,

FIG. 9 is a cross sectional view thereof, taken in the direction of line 9-9 in FIG. 1.

The broken lines are directed to environment and are for illustrative purposes only; the broken lines form no part of the claimed design. The broken line arrow in FIG. 1 is an imaginary line that is included for reference purposes only to identify the cross-sectional view and forms no part of the claimed design.

1 Claim, 9 Drawing Sheets



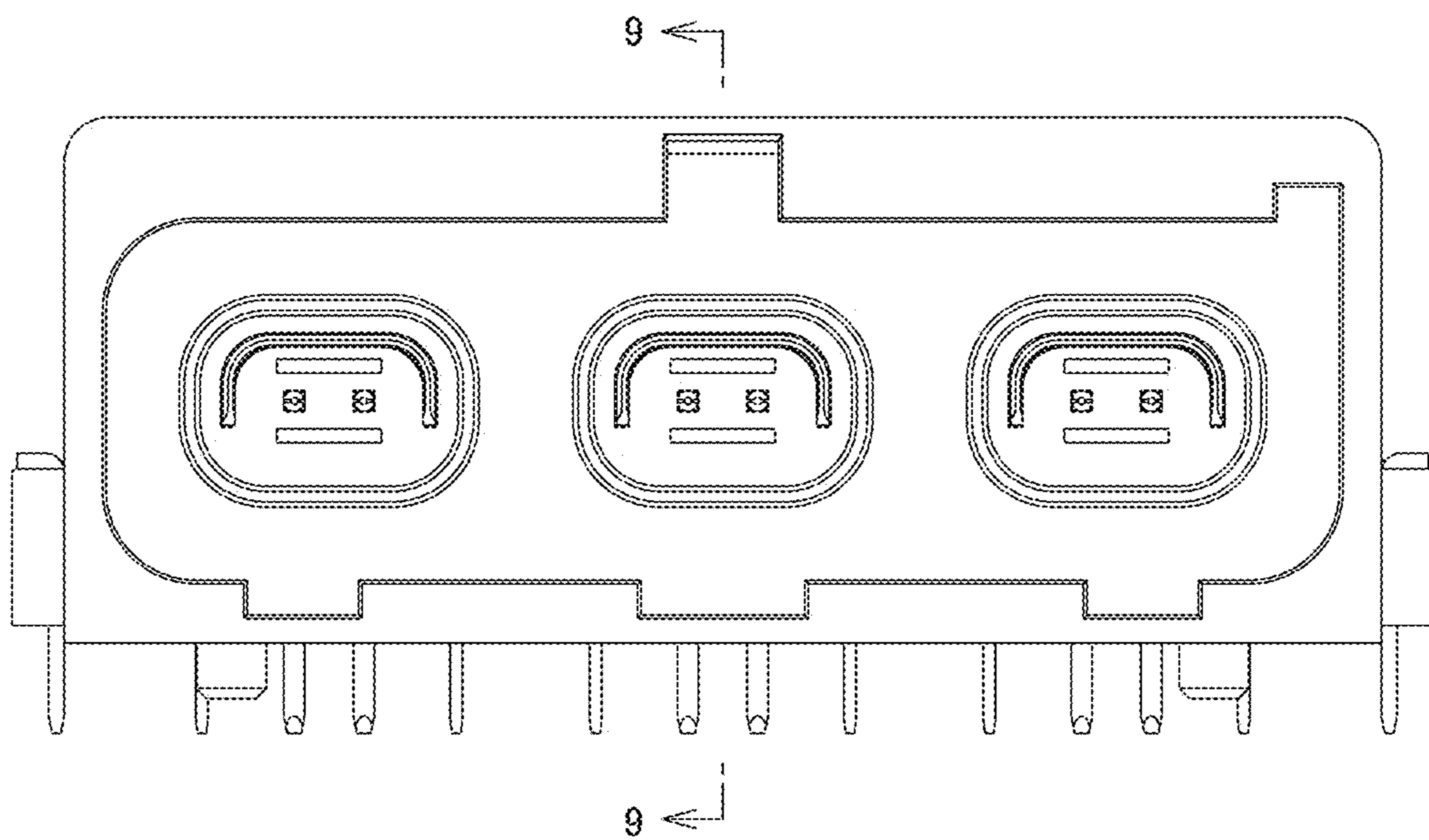


Fig. 1

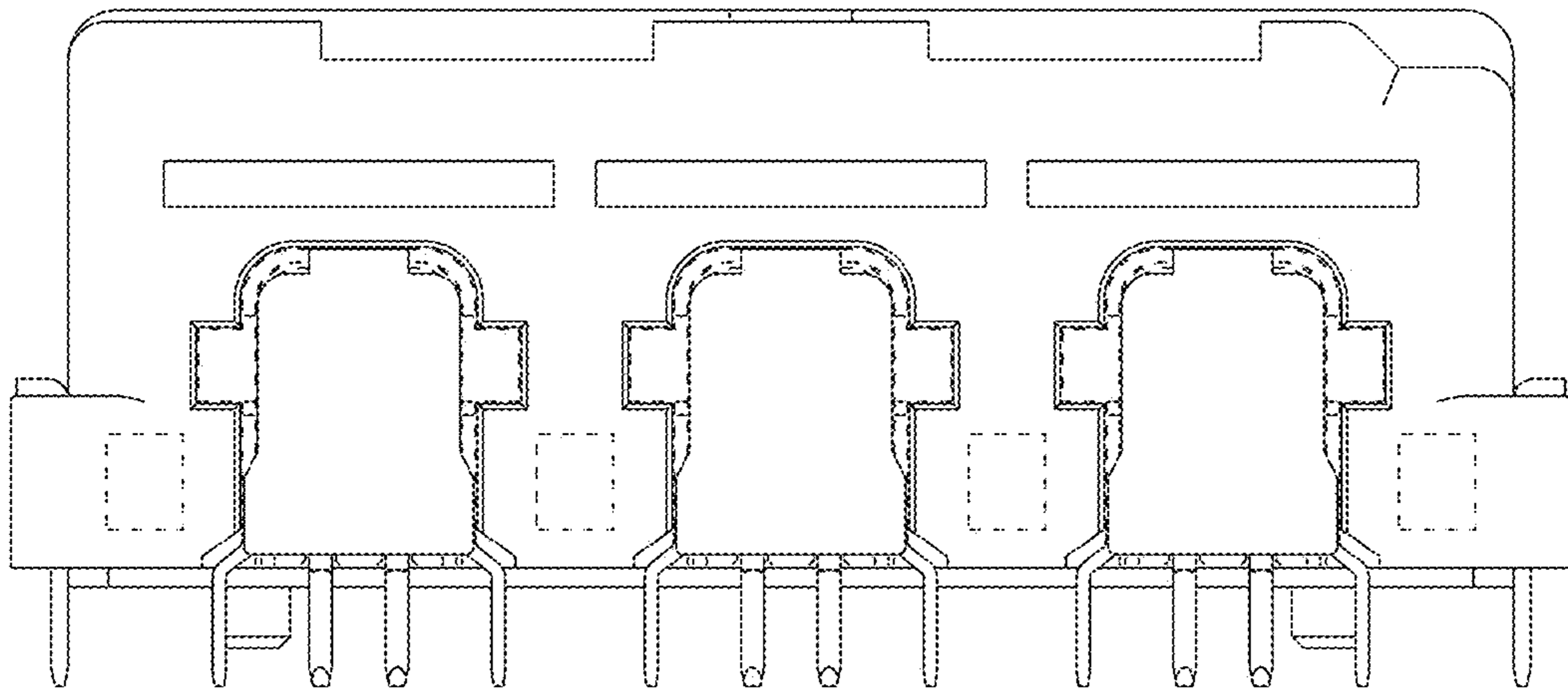


Fig.2

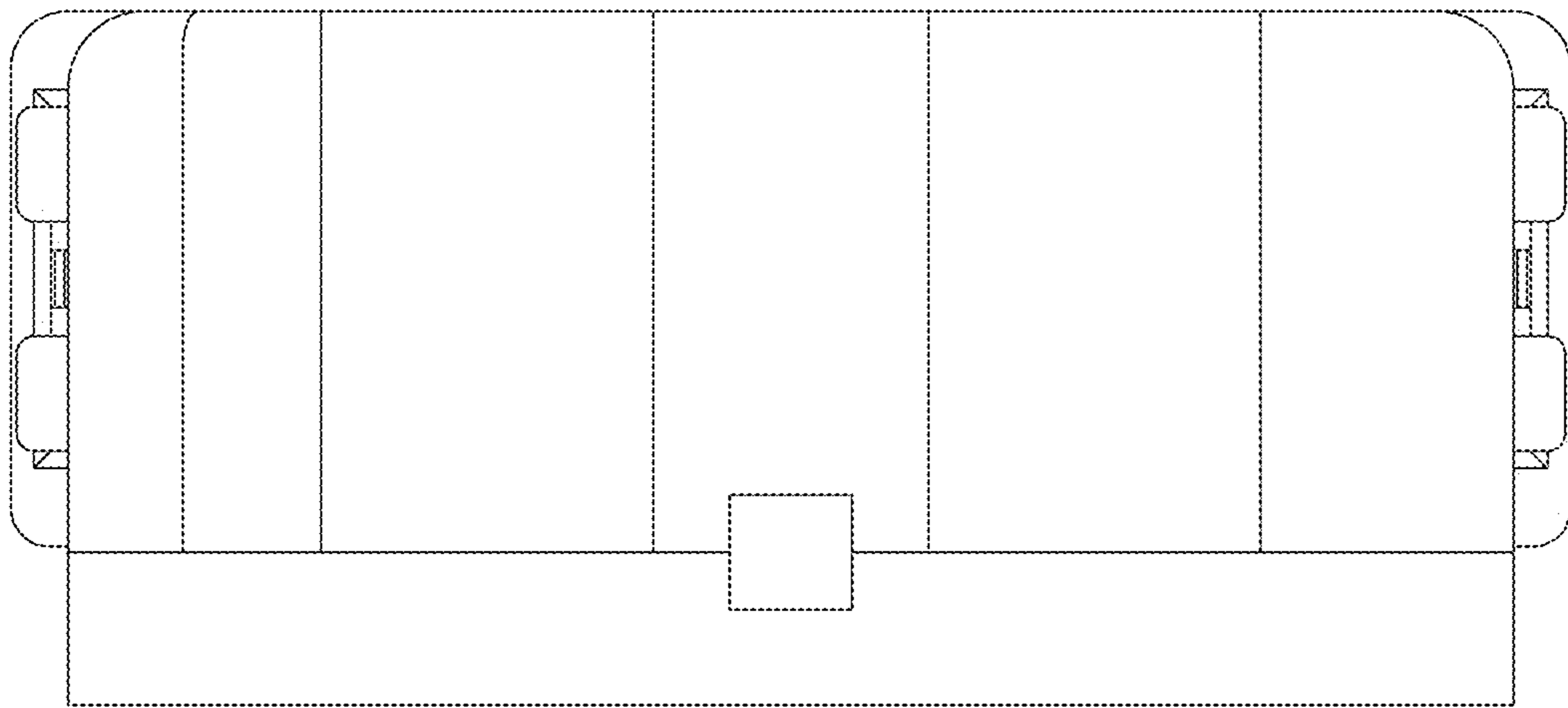


Fig.3

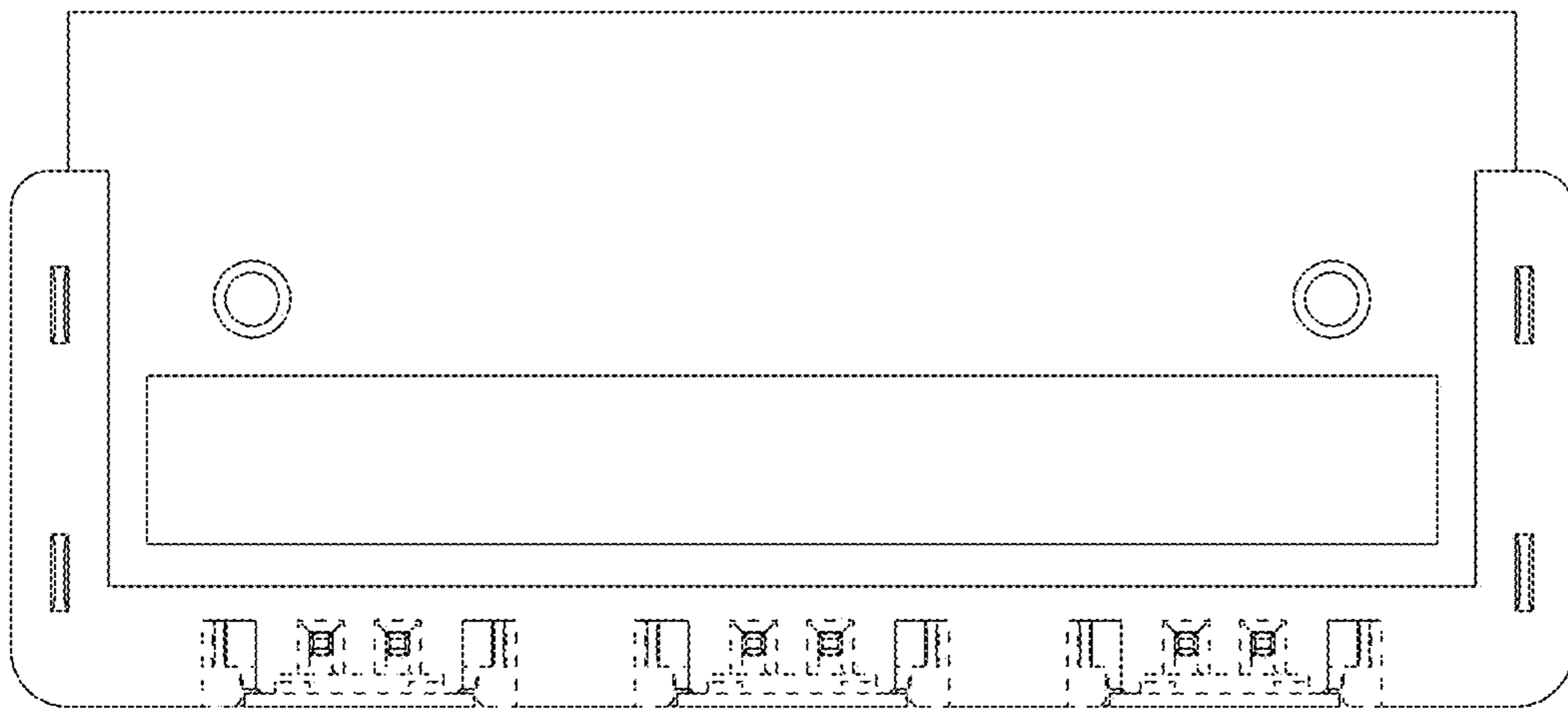


Fig.4

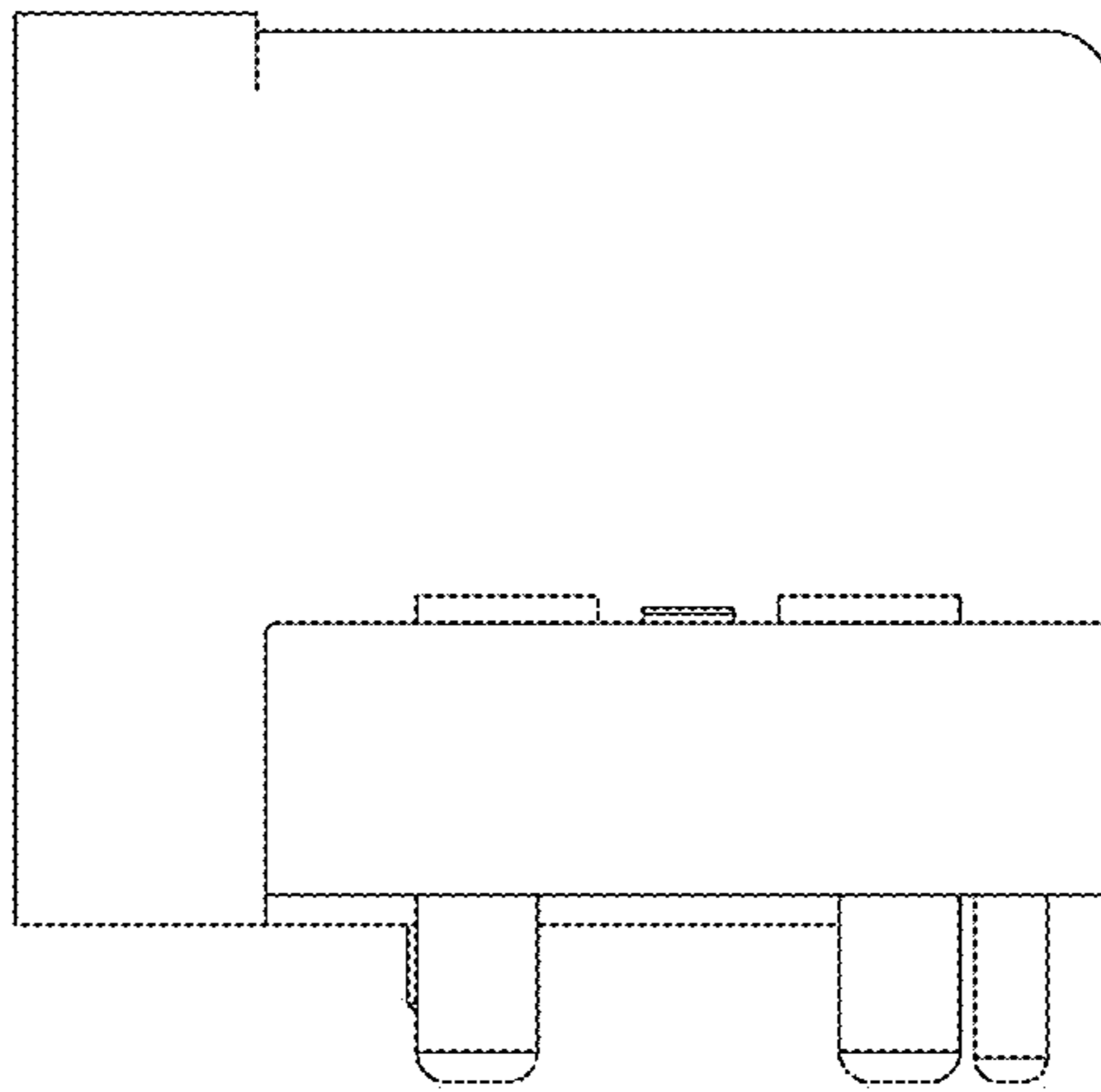


Fig.5

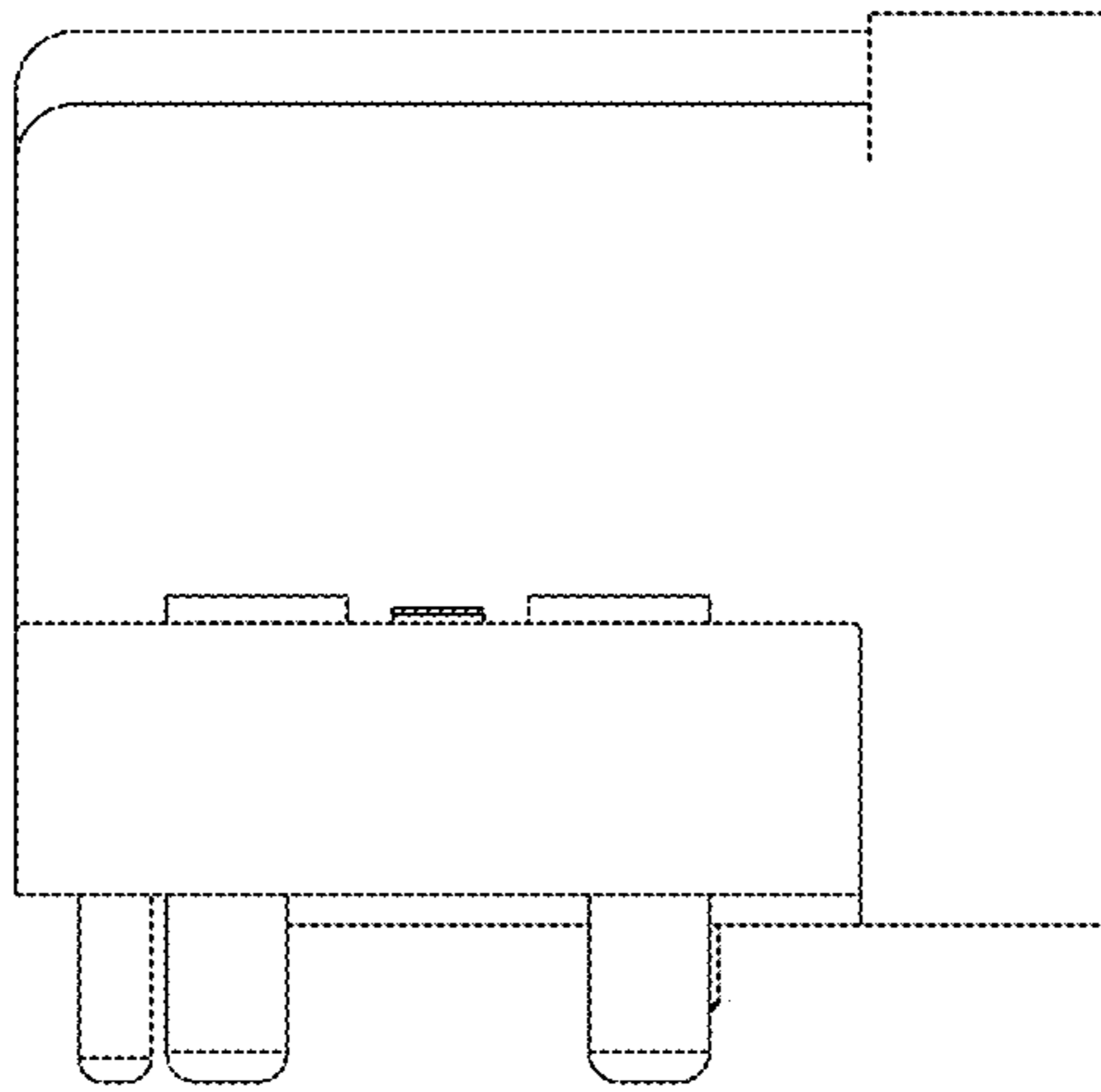


Fig.6

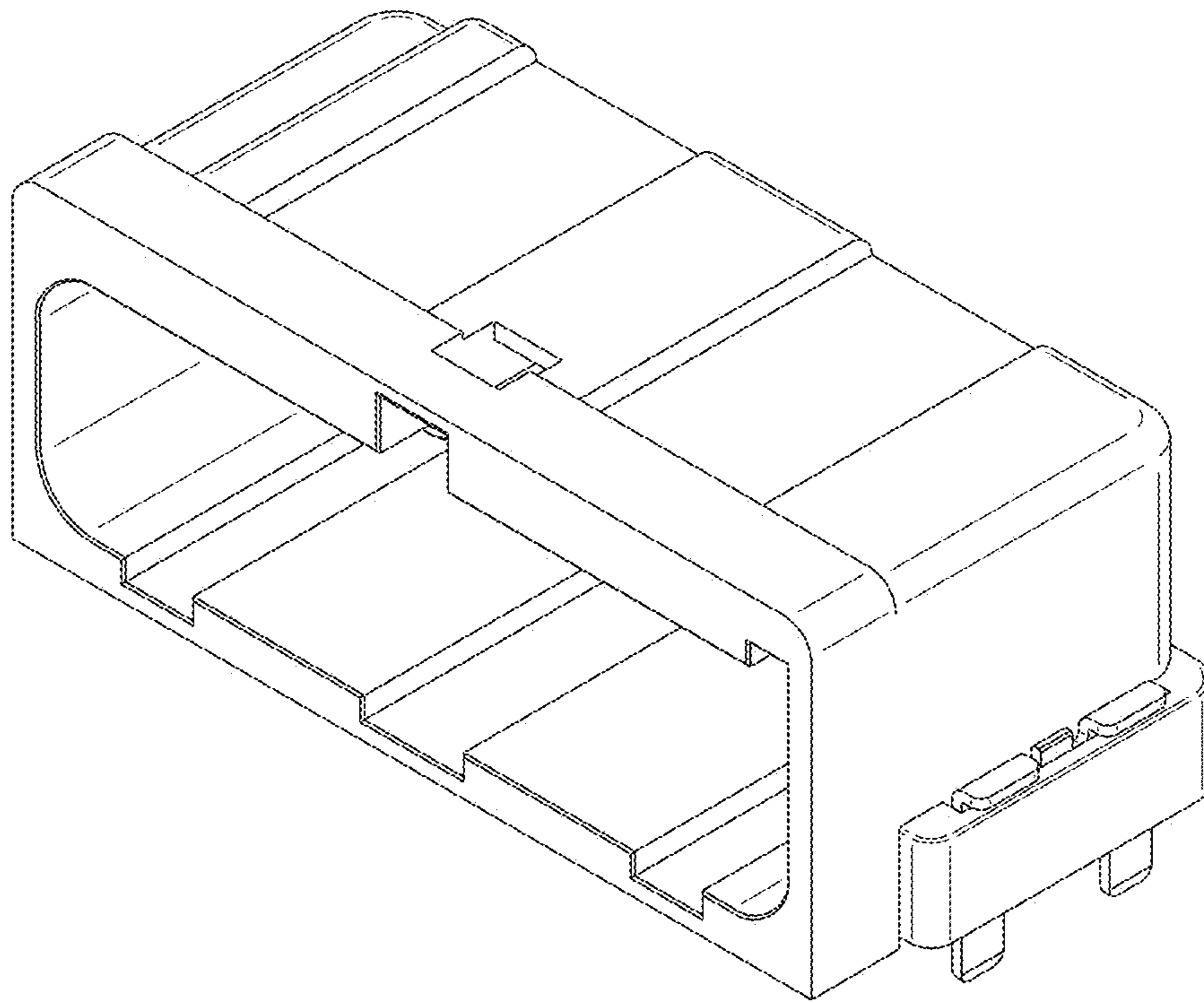


Fig.7

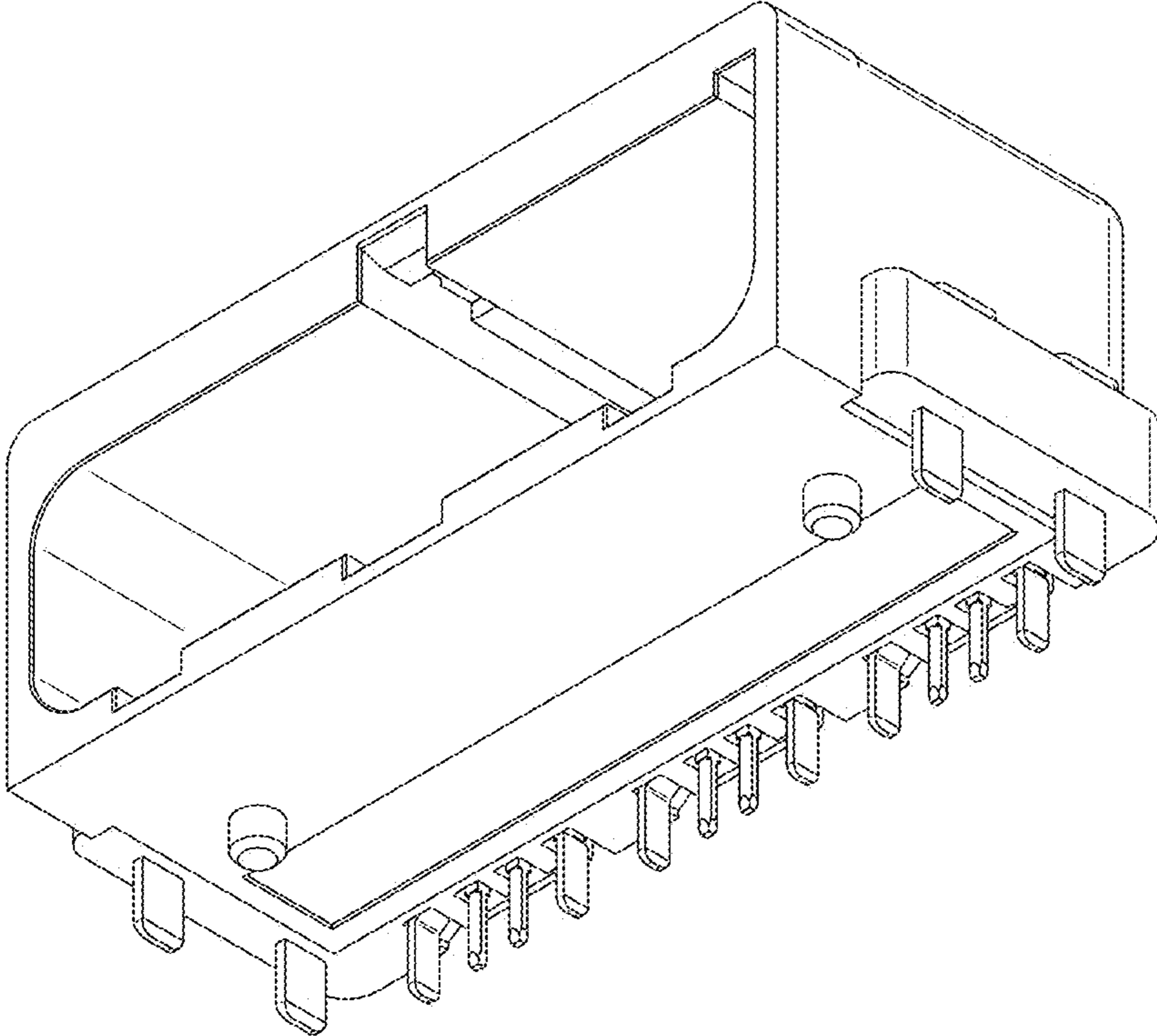


Fig.8

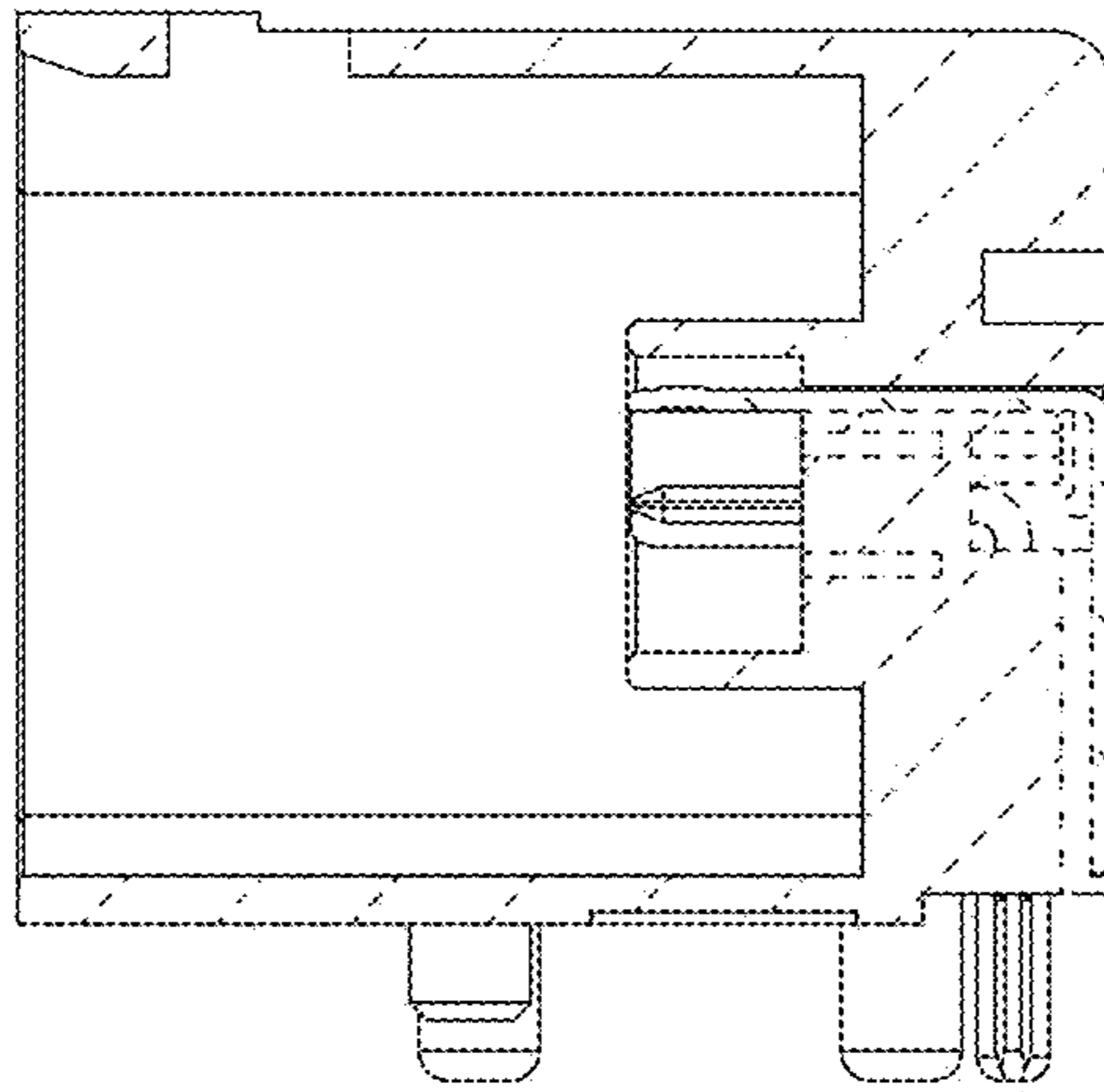


Fig.9