



US00D883223S

(12) **United States Design Patent**
Asano

(10) **Patent No.:** **US D883,223 S**

(45) **Date of Patent:** **** *May 5, 2020**

(54) **ELECTRICAL CONNECTOR**

(71) Applicant: **HOSIDEN CORPORATION**, Yao-shi,
Osaka (JP)

(72) Inventor: **Takao Asano**, Isesaki (JP)

(73) Assignee: **HOSIDEN CORPORATION**, Yao-shi
(JP)

(*) Notice: This patent is subject to a terminal disclaimer.

(**) Term: **15 Years**

(21) Appl. No.: **29/637,269**

(22) Filed: **Feb. 15, 2018**

(30) **Foreign Application Priority Data**

Aug. 30, 2017 (JP) 2017-018620

(51) **LOC (12) Cl.** **13-03**

(52) **U.S. Cl.**
USPC **D13/147**

(58) **Field of Classification Search**
USPC D13/146, 147, 123, 133, 137.1-139.8,
D13/154

CPC H01R 24/62; H01R 13/7039; H01R 27/00;
H01R 2201/04; H01R 2201/16

See application file for complete search history.

(56) **References Cited**

U.S. PATENT DOCUMENTS

5,772,466 A * 6/1998 Morin H01R 24/62
439/489
D479,197 S * 9/2003 Zhang D13/146
D541,220 S * 4/2007 Hamada D13/147
D687,780 S * 8/2013 Shimizu D13/147

D701,491 S * 3/2014 Miyoshi D13/147
D701,492 S * 3/2014 Miyoshi D13/147
D747,687 S * 1/2016 Endo D13/146
D748,584 S * 2/2016 Endo D13/147
D748,586 S * 2/2016 Endo D13/147
D756,931 S * 5/2016 Asano D13/147
D756,932 S * 5/2016 Asano D13/147
D809,464 S * 2/2018 Lin D13/147
D820,789 S * 6/2018 Asano D13/146

* cited by examiner

Primary Examiner — Bridget L Eland

(74) *Attorney, Agent, or Firm* — Kratz, Quintos &
Hanson, LLP

(57) **CLAIM**

The ornamental design for an electrical connector, as shown and described.

DESCRIPTION

FIG. 1 is a front elevational view of an electrical connector showing my new design;

FIG. 2 is a back elevational view thereof;

FIG. 3 is a top plan view thereof;

FIG. 4 is a bottom plan view thereof;

FIG. 5 is a right side elevational view thereof;

FIG. 6 is a left side elevational view thereof;

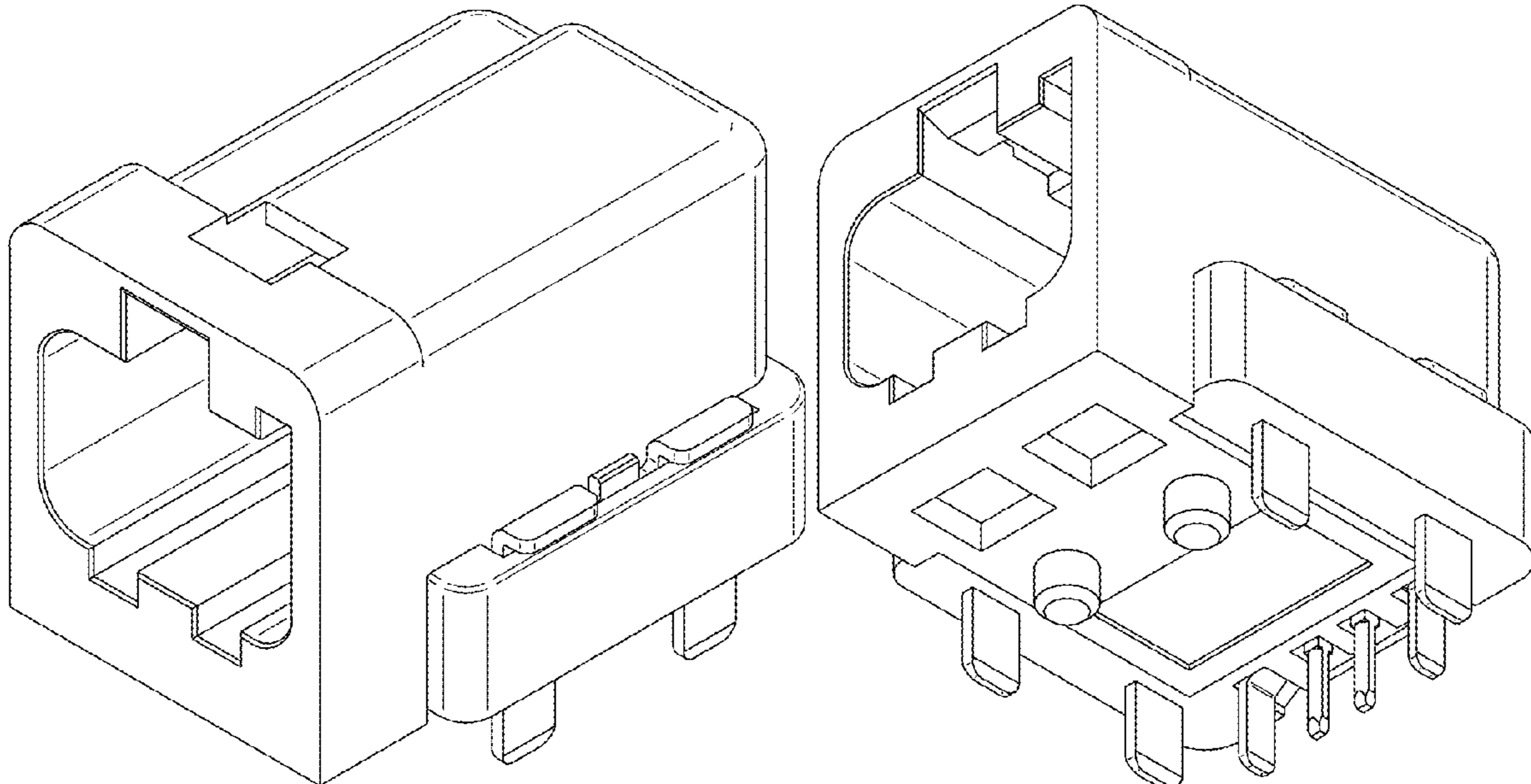
FIG. 7 is a top, front, and right side perspective view thereof;

FIG. 8 is a bottom, front, and right side perspective view thereof; and,

FIG. 9 is a cross sectional view thereof, taken in the direction of line 9-9 in FIG. 1.

The broken lines are directed to environment and are for illustrative purposes only; the broken lines form no part of the claimed design. The broken line arrow in FIG. 1 is an imaginary line that is included for reference purposes only to identify the cross-sectional view and forms no part of the claimed design.

1 Claim, 9 Drawing Sheets



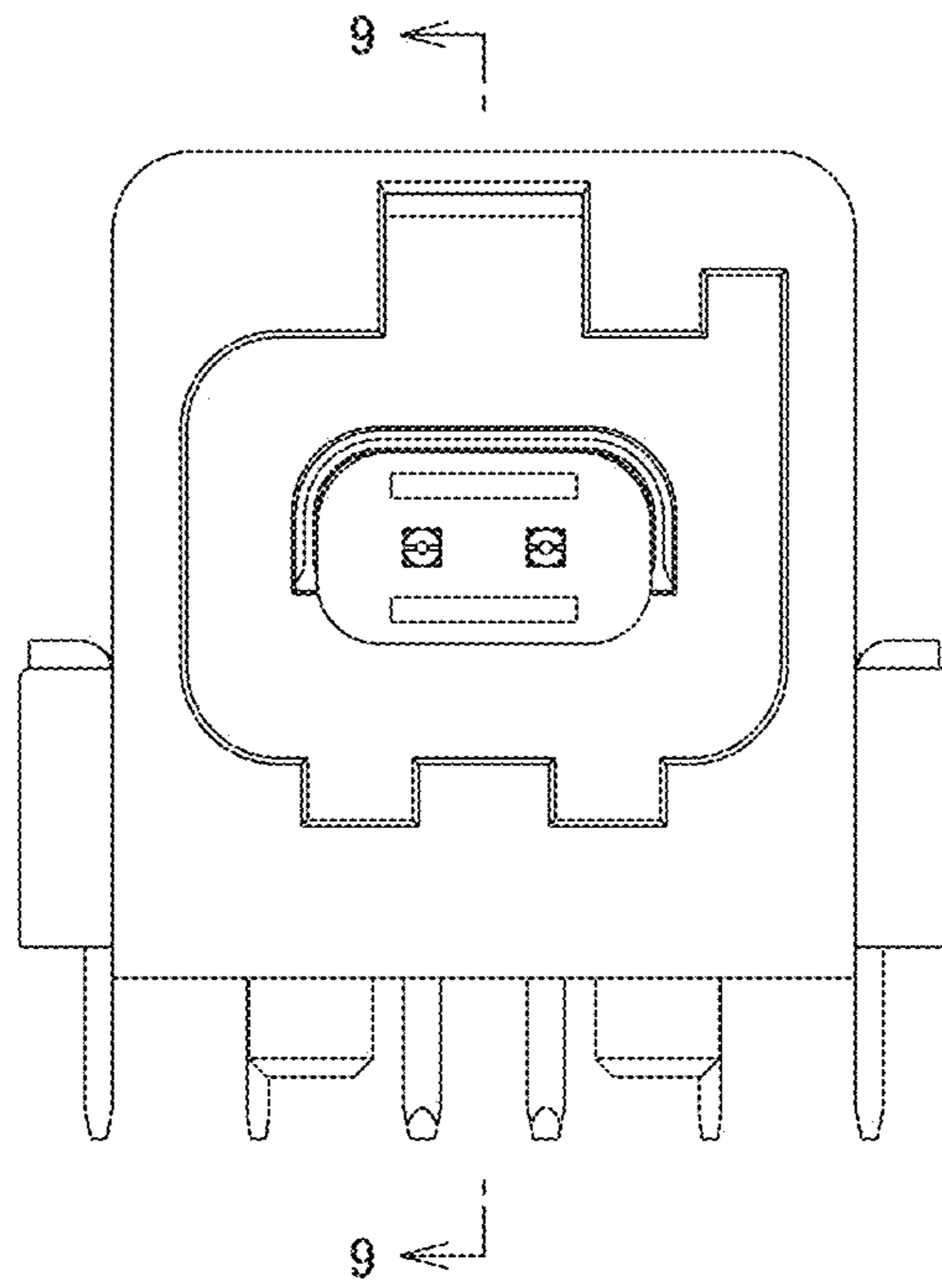


Fig. 1

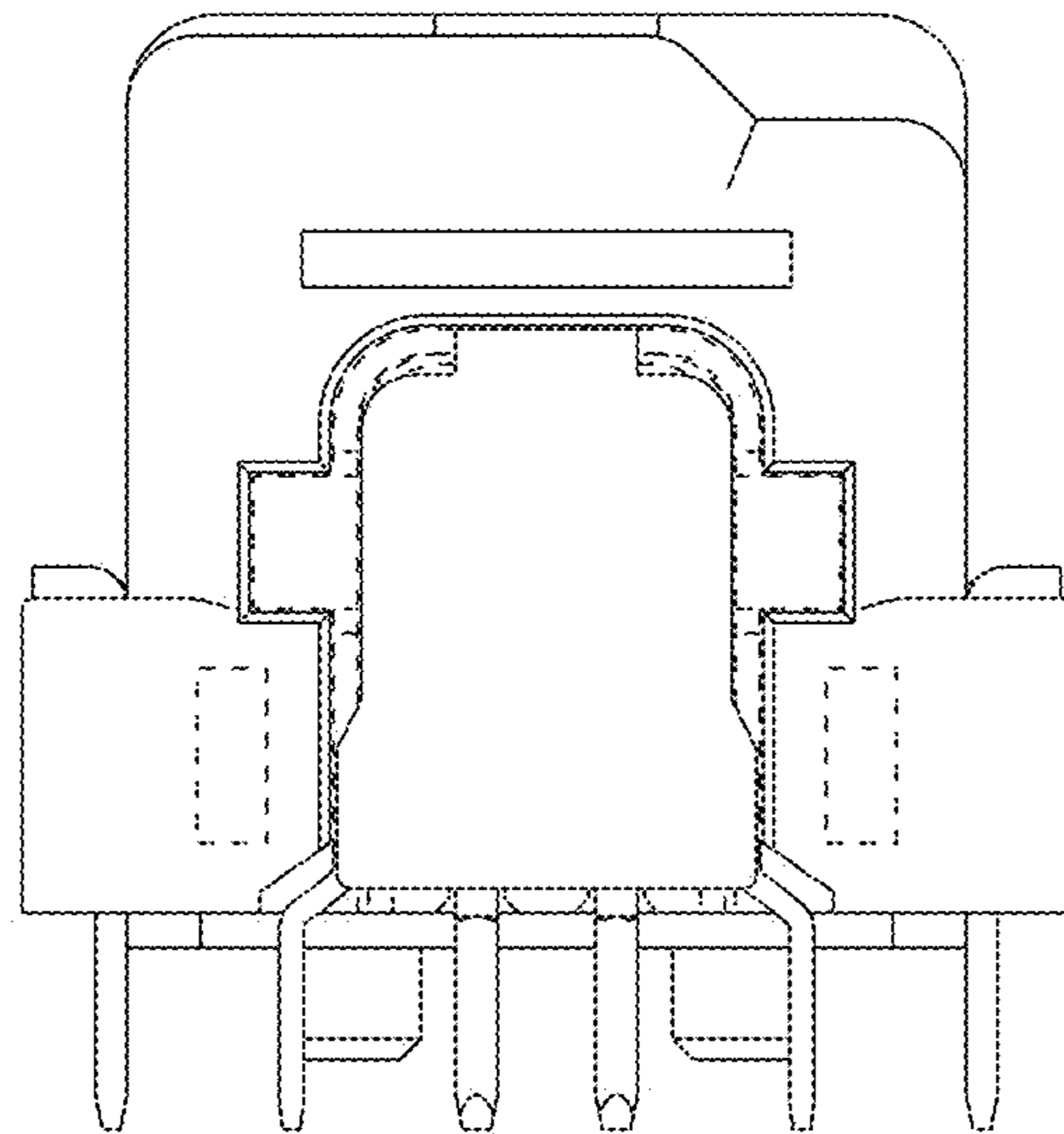


Fig.2

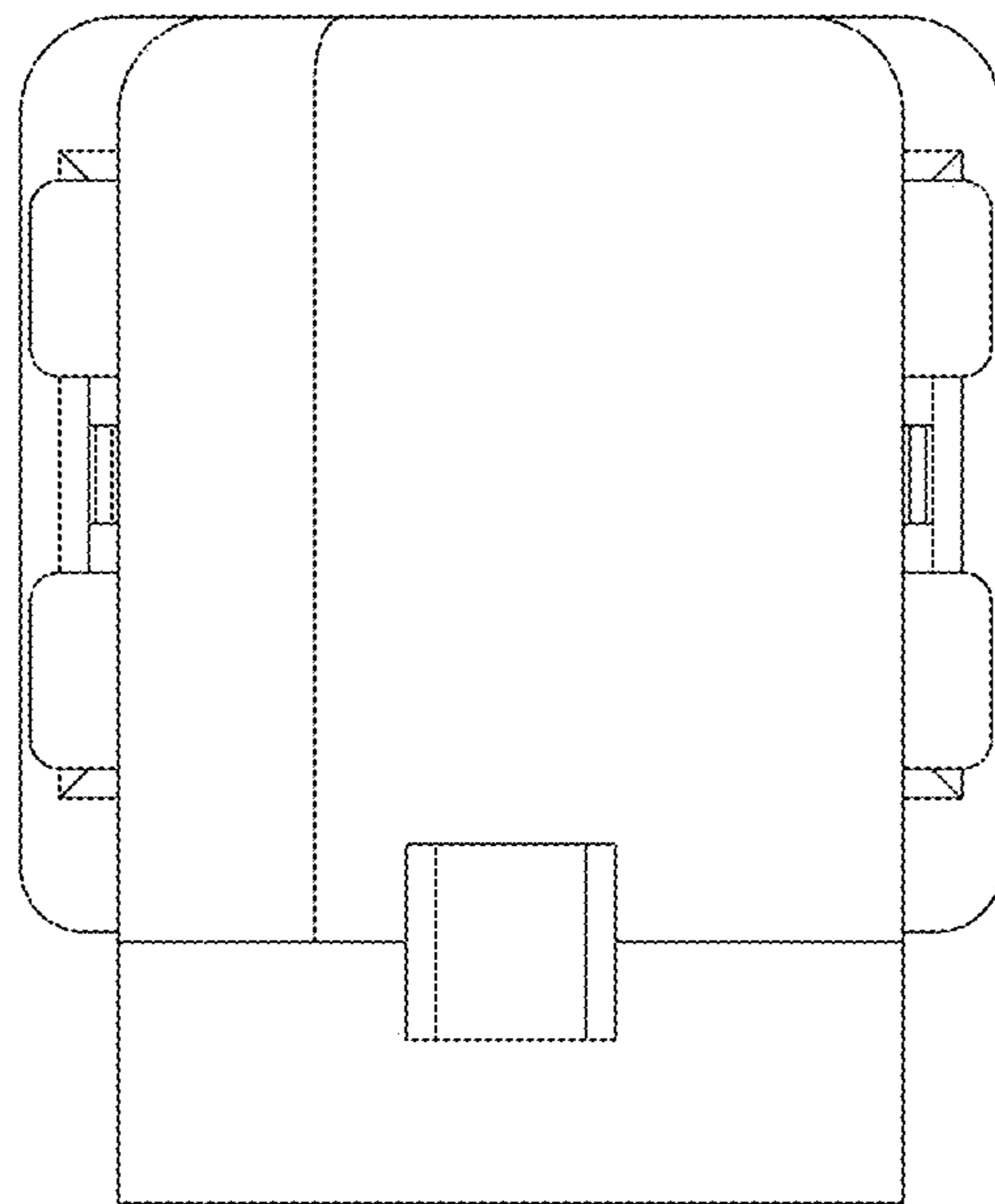


Fig.3

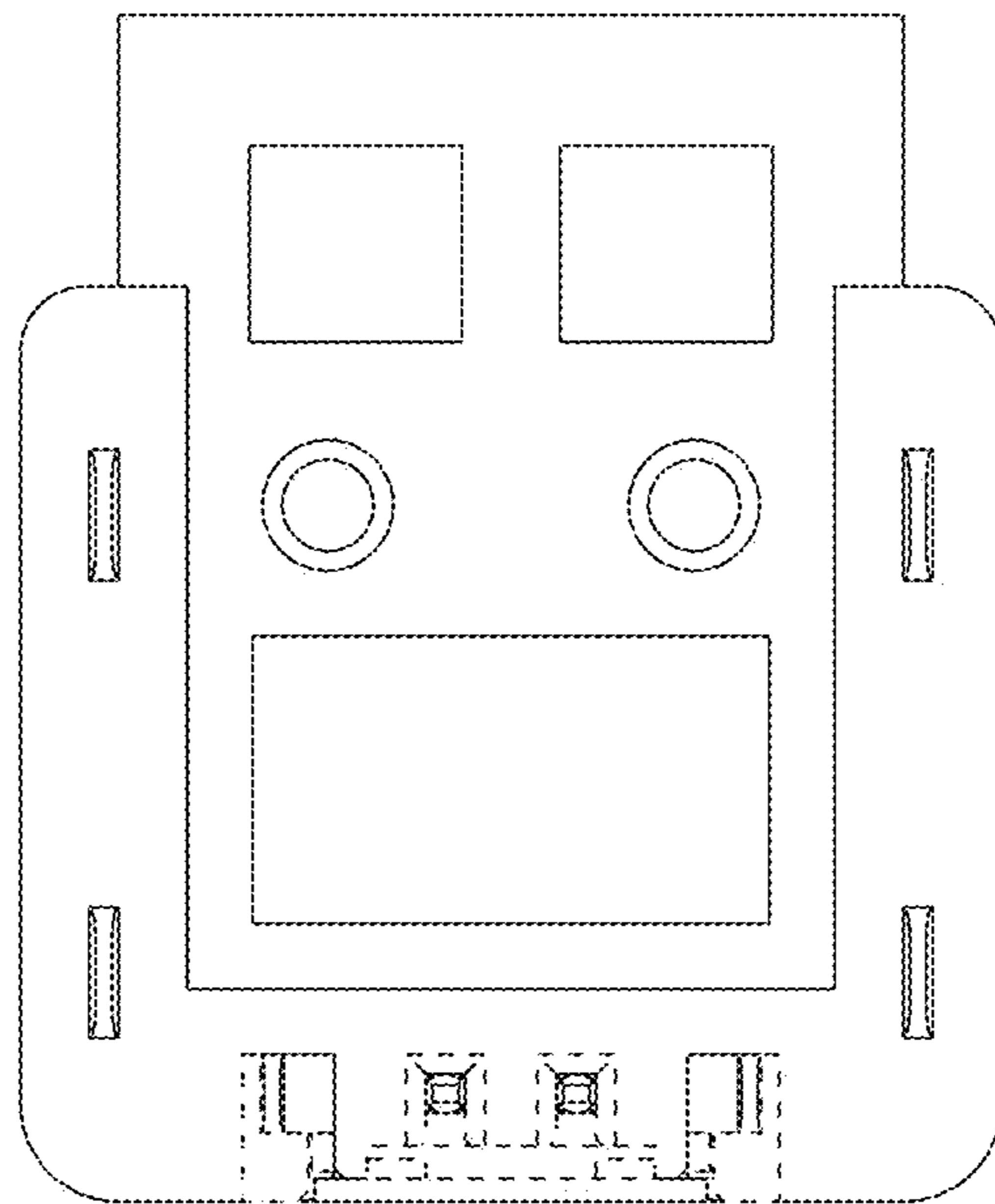


Fig.4

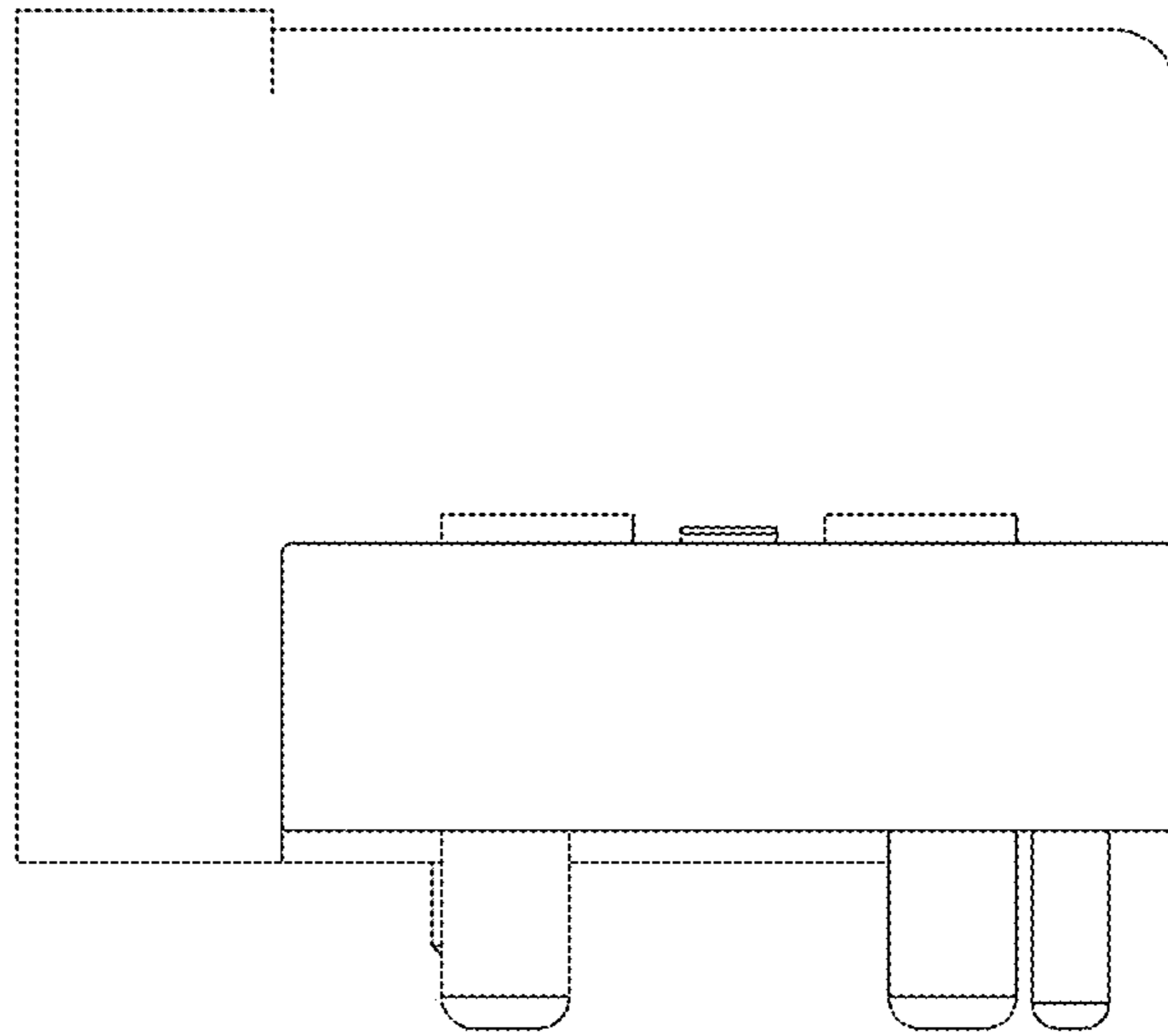


Fig.5

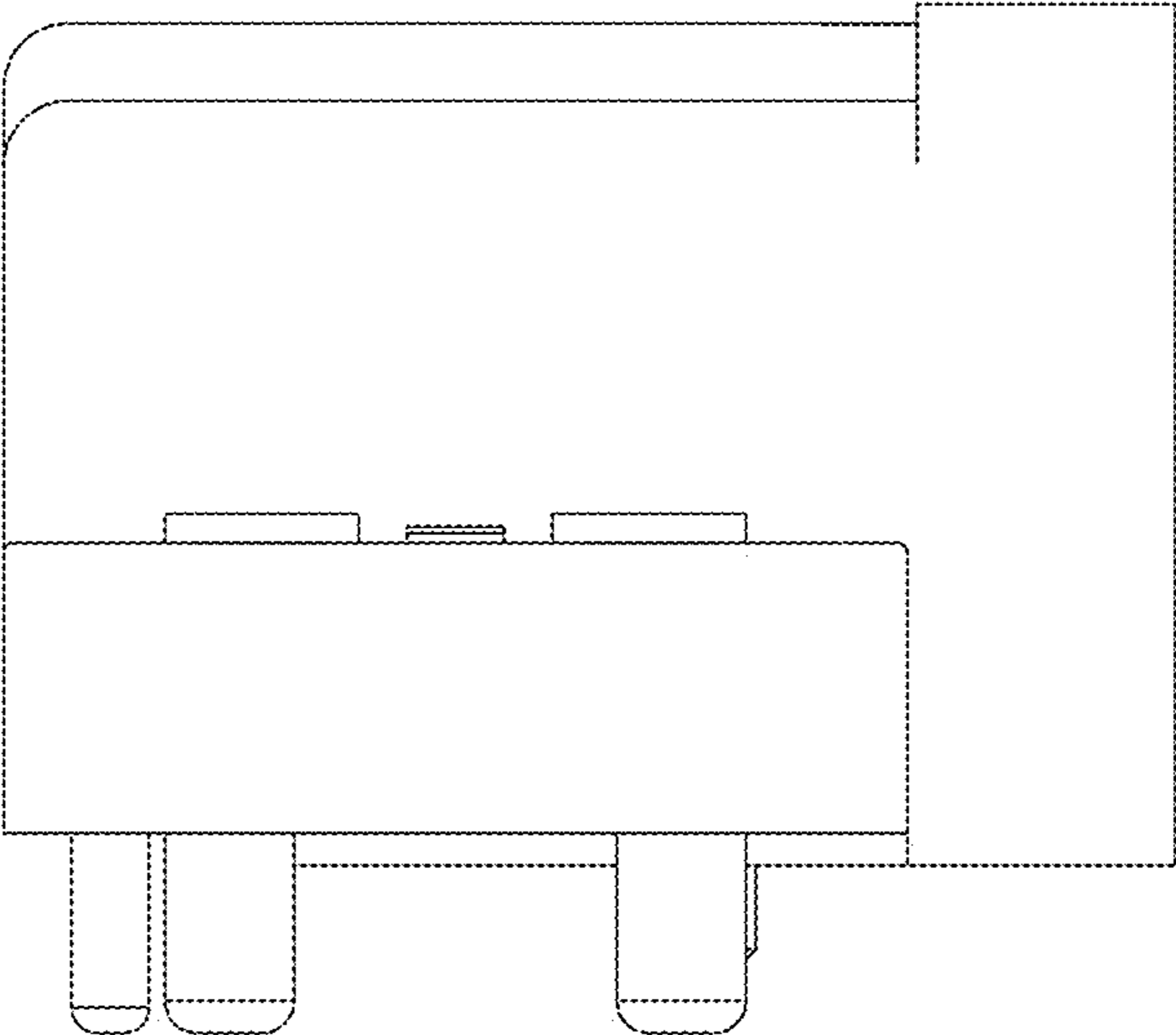


Fig.6

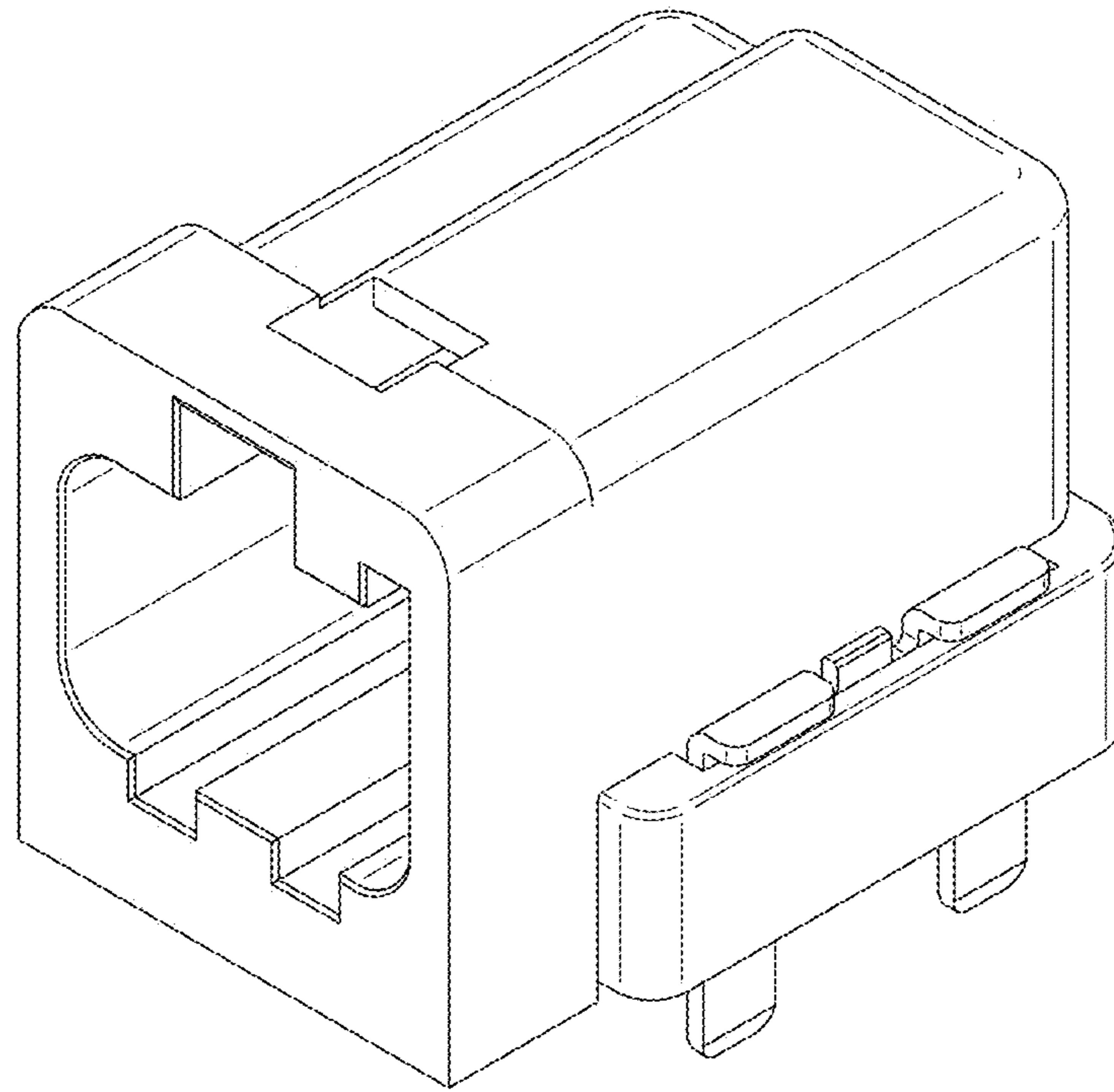


Fig.7

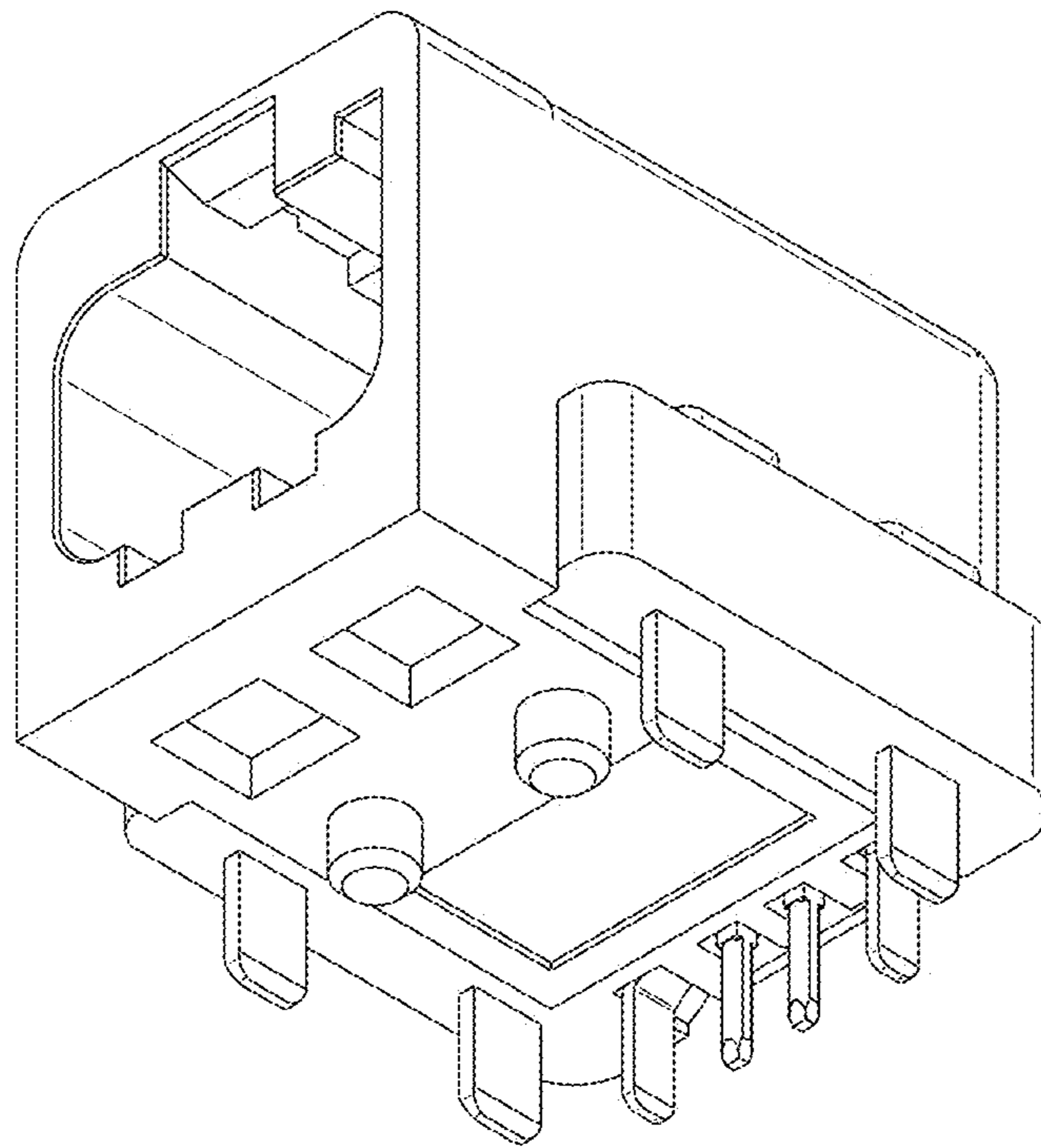


Fig.8

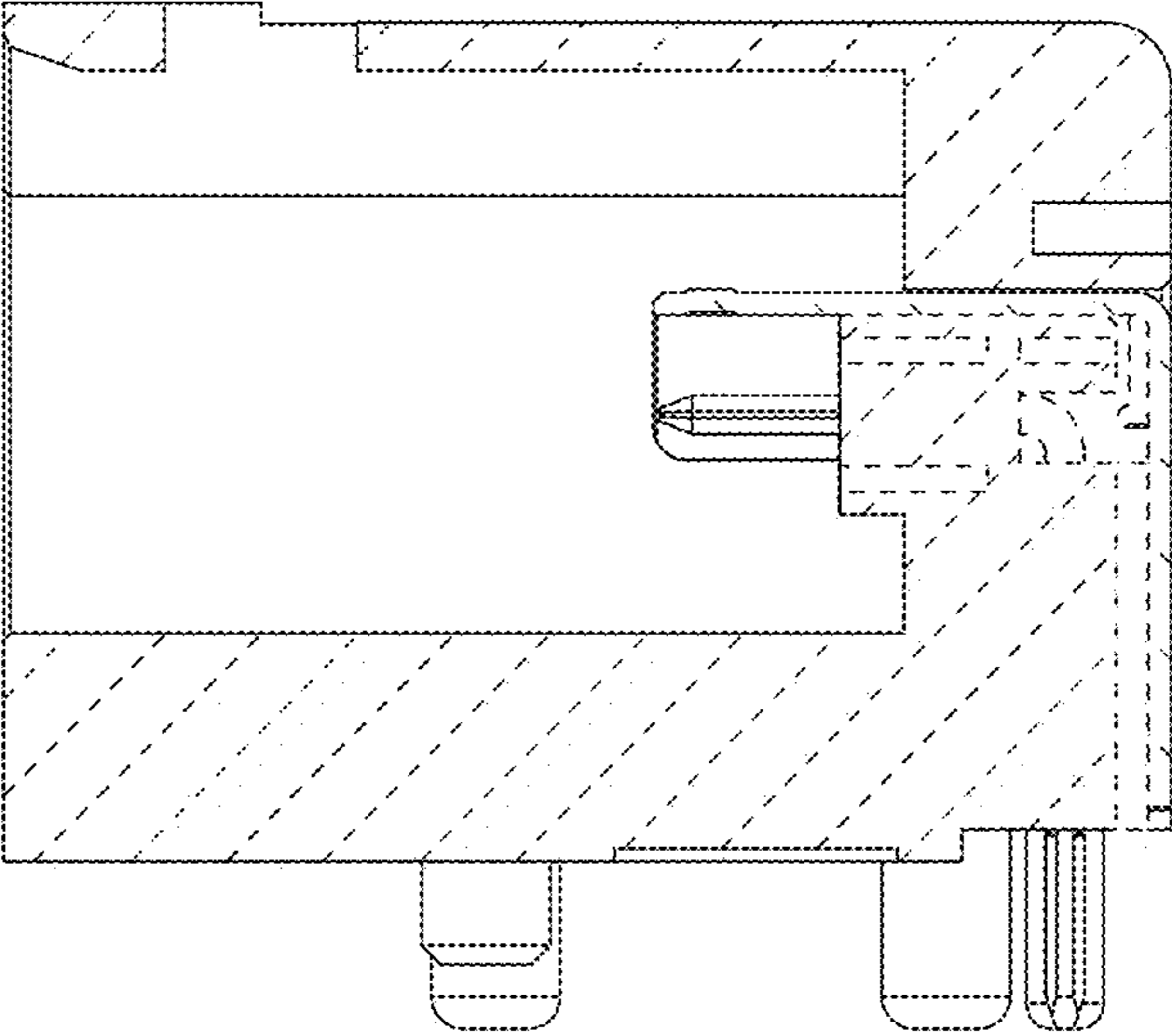


Fig.9