



US00D883218S

(12) **United States Design Patent** (10) **Patent No.:** **US D883,218 S**
Eshelman et al. (45) **Date of Patent:** **** May 5, 2020**

(54) **POWER ADAPTER WITH COVERED RECEPTACLES**

(71) Applicant: **360 Electrical, L.L.C.**, Salt Lake City, UT (US)

(72) Inventors: **Brandon Eshelman**, Salt Lake City, UT (US); **Cameron Bigler**, Lehi, UT (US); **Adam Boushley**, Midvale, UT (US)

(73) Assignee: **360 Electrical, L.L.C.**, Salt Lake City, UT (US)

(**) Term: **15 Years**

(21) Appl. No.: **29/668,062**

(22) Filed: **Oct. 26, 2018**

(51) **LOC (12) Cl.** **13-03**

(52) **U.S. Cl.**
USPC **D13/137.2**

(58) **Field of Classification Search**
 USPC D13/103, 107, 108, 110, 118, 119, 123, D13/133, 137.1–137.4, 138.1–138.2, D13/139.1–139.8, 152–154, 184, 199
 CPC H01R 25/00; H01R 25/006; H01R 13/00; H01R 13/04; H01R 13/10; H01R 13/6666; H01R 13/6675; H01R 9/00; H01R 11/00; H01H 2207/00; H01H 2207/022; H01H 2203/00; H02J 7/00; H02J 7/0003; H02J 7/0011; H02J 7/0013; H02J 7/0054; H02J 7/0055; H02J 7/0057; H01M 2/02; H01M 2/022; H01M 2/0202; H01M 2/0207; H01M 2/0212; H01M 2220/10; H01M 2220/20; Y02E 60/12; Y02E 60/122; Y02E 60/124; Y02E 60/50
 See application file for complete search history.

(56) **References Cited**

U.S. PATENT DOCUMENTS

D466,867	S	*	12/2002	Krobusek	D13/137.4
D469,062	S	*	1/2003	Nieto	D13/137.2
D483,331	S	*	12/2003	Adachi	D13/139.7
D533,836	S	*	12/2006	Young	D13/137.1
D534,126	S	*	12/2006	Chan	D13/139.1
D562,240	S	*	2/2008	Lee	D13/137.2
D586,743	S	*	2/2009	Guccione	D13/107
D594,823	S	*	6/2009	Ho'o	D13/139.1
D612,333	S	*	3/2010	Wu	D13/139.1
D614,134	S	*	4/2010	Chen	D13/137.2
D618,617	S	*	6/2010	Lee	D13/137.2
D651,977	S	*	1/2012	Lee	D13/139.1
D667,792	S	*	9/2012	Angel	D13/133
D686,993	S	*	7/2013	Millar-Sax	D13/137.2
D790,459	S	*	6/2017	Eshelman	D13/110
D810,017	S	*	2/2018	Short	D13/108

(Continued)

Primary Examiner — Rosemary K Tarcza

Assistant Examiner — Christy M Nemeth

(74) *Attorney, Agent, or Firm* — Lauff Law PLLC

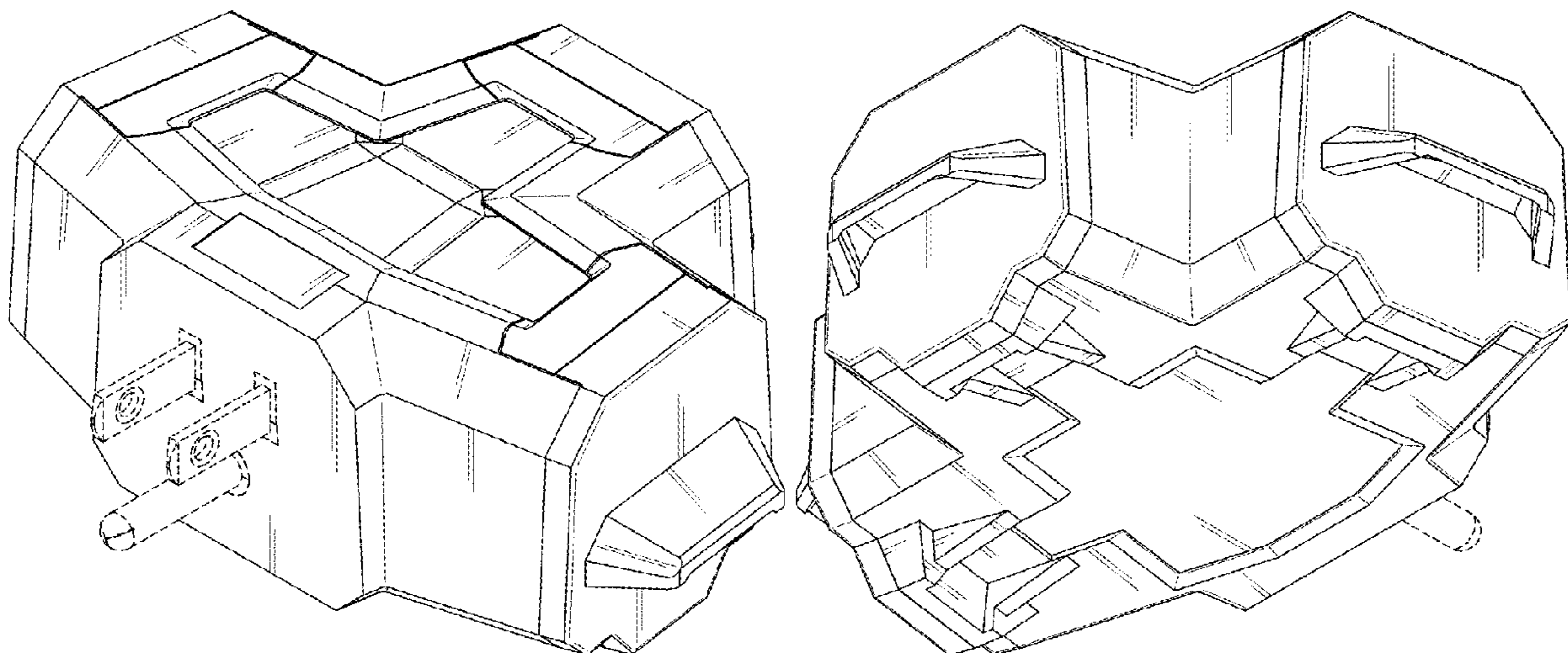
(57) **CLAIM**

The ornamental design for a power adapter with covered receptacles, substantially as shown and described.

DESCRIPTION

FIG. 1 is a right front upper perspective view of the power adapter with covered receptacles;
 FIG. 2 is a left rear lower perspective view thereof;
 FIG. 3 is a right elevation view thereof;
 FIG. 4 is a left elevation view thereof;
 FIG. 5 is a front elevation view thereof;
 FIG. 6 is a rear elevation view thereof;
 FIG. 7 is an upper plan view thereof; and,
 FIG. 8 is a lower plan view thereof.
 The broken lines in the drawings are for the purpose of illustrating portions of the power adapter with covered receptacles that form no part of the claimed design.

1 Claim, 3 Drawing Sheets



(56)

References Cited

U.S. PATENT DOCUMENTS

D817,887 S * 5/2018 Yu D13/139.1
D821,978 S * 7/2018 Yu D13/139.7

* cited by examiner

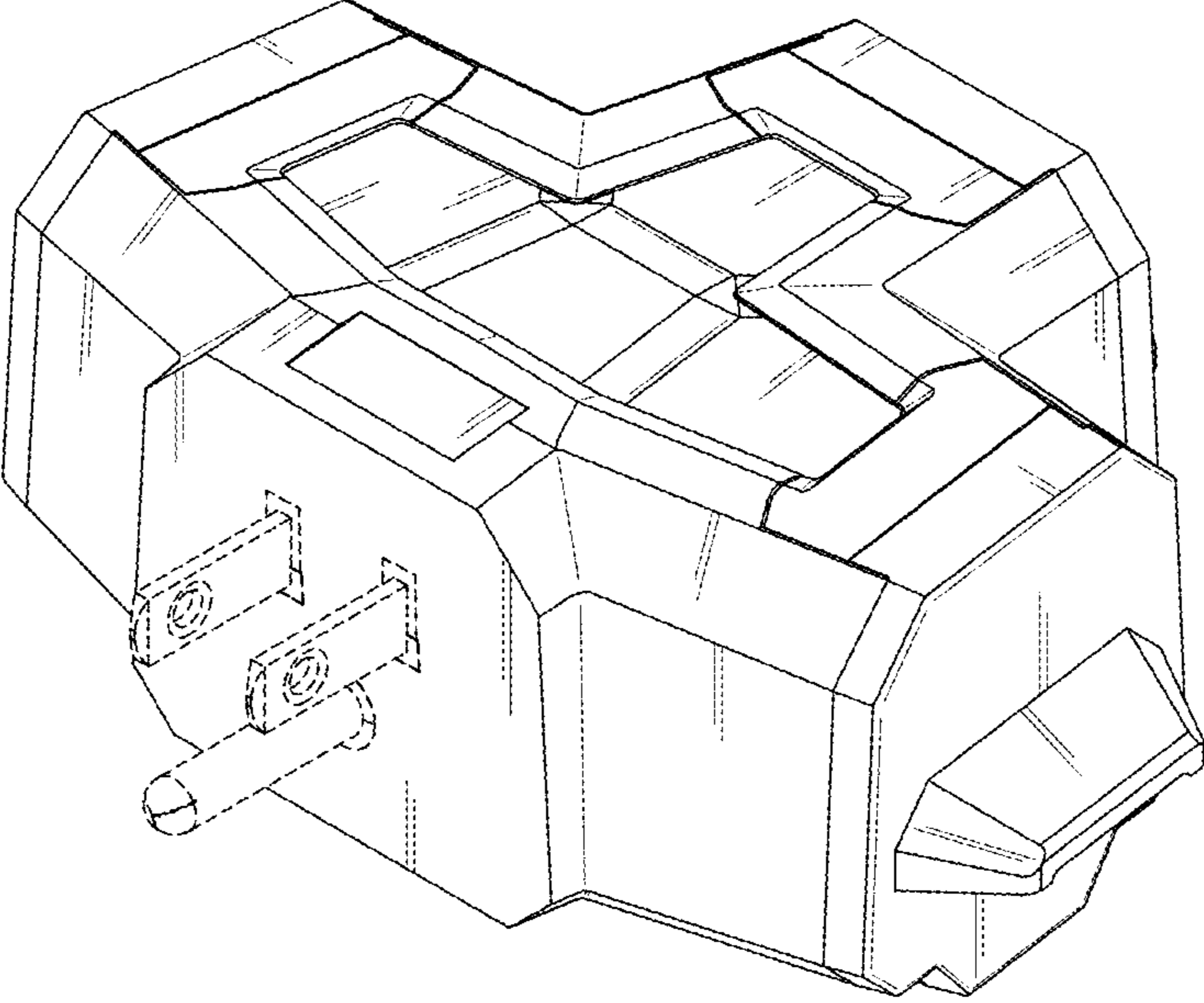


FIG. 1

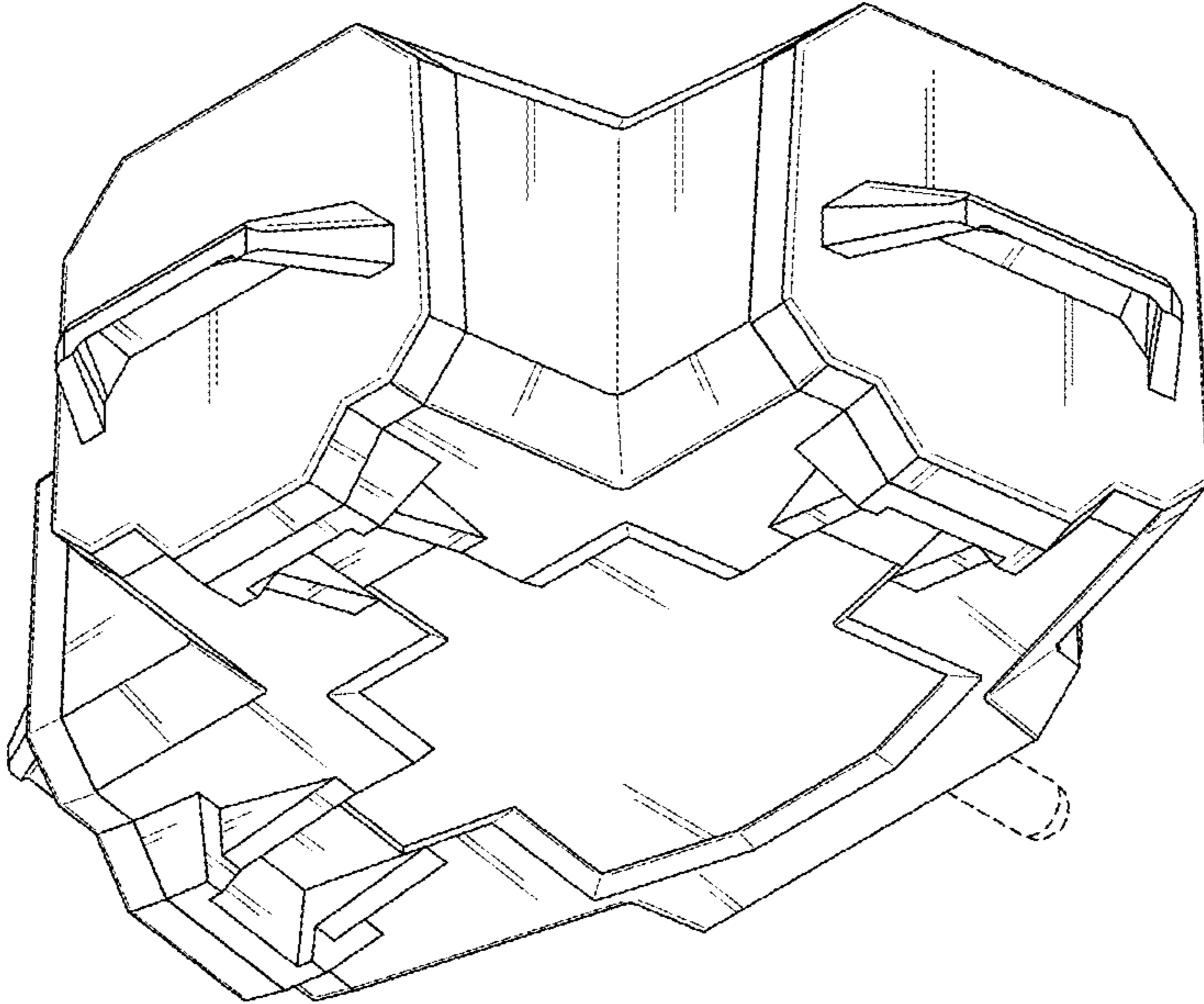


FIG. 2

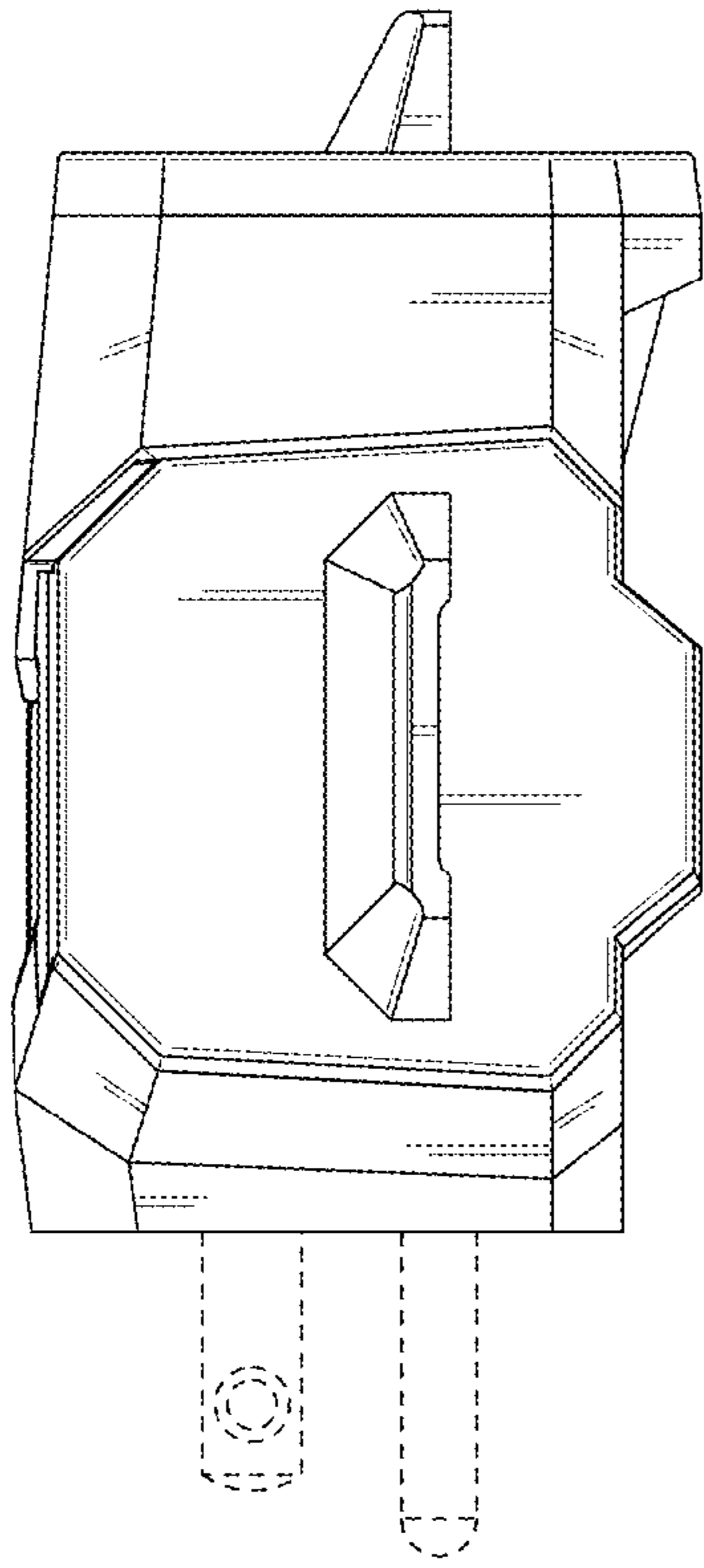


FIG. 3

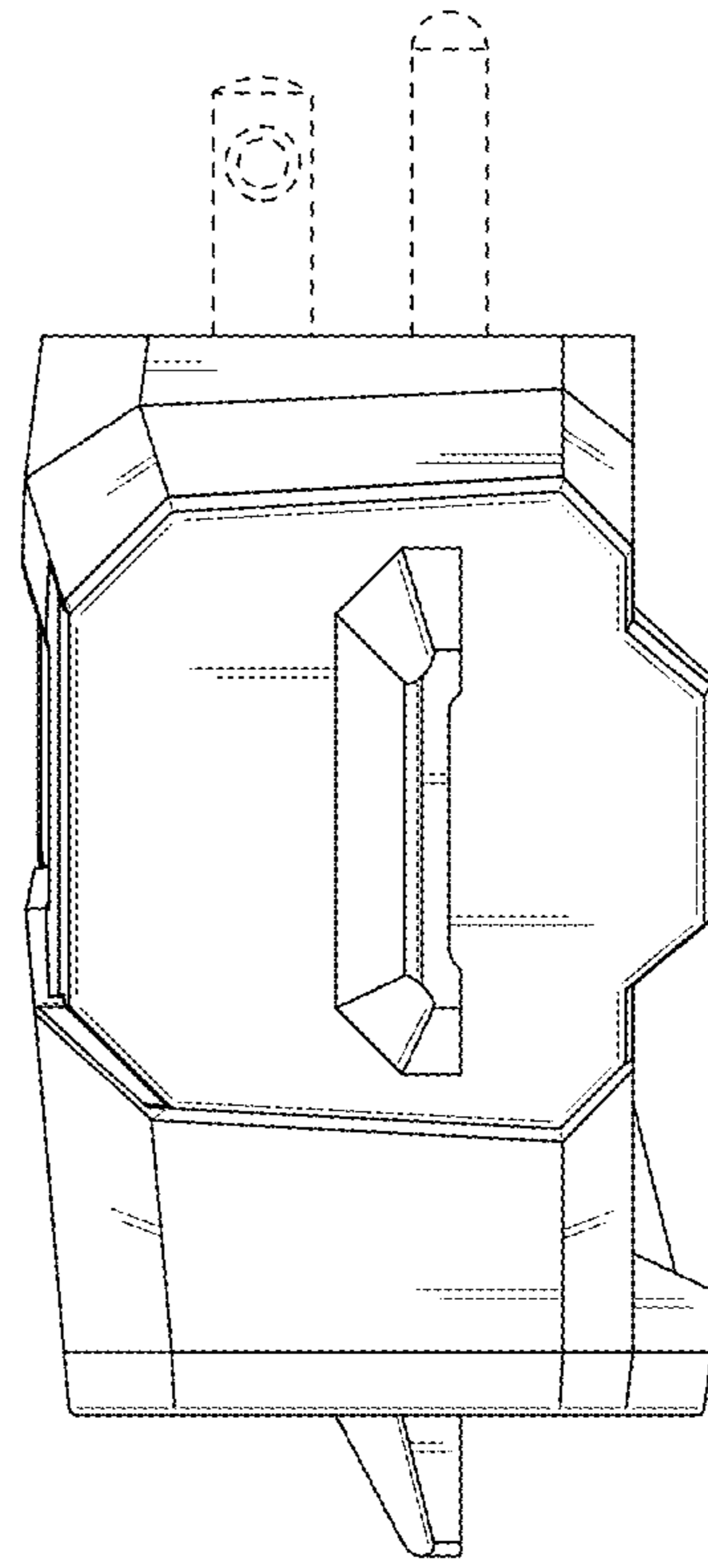


FIG. 4

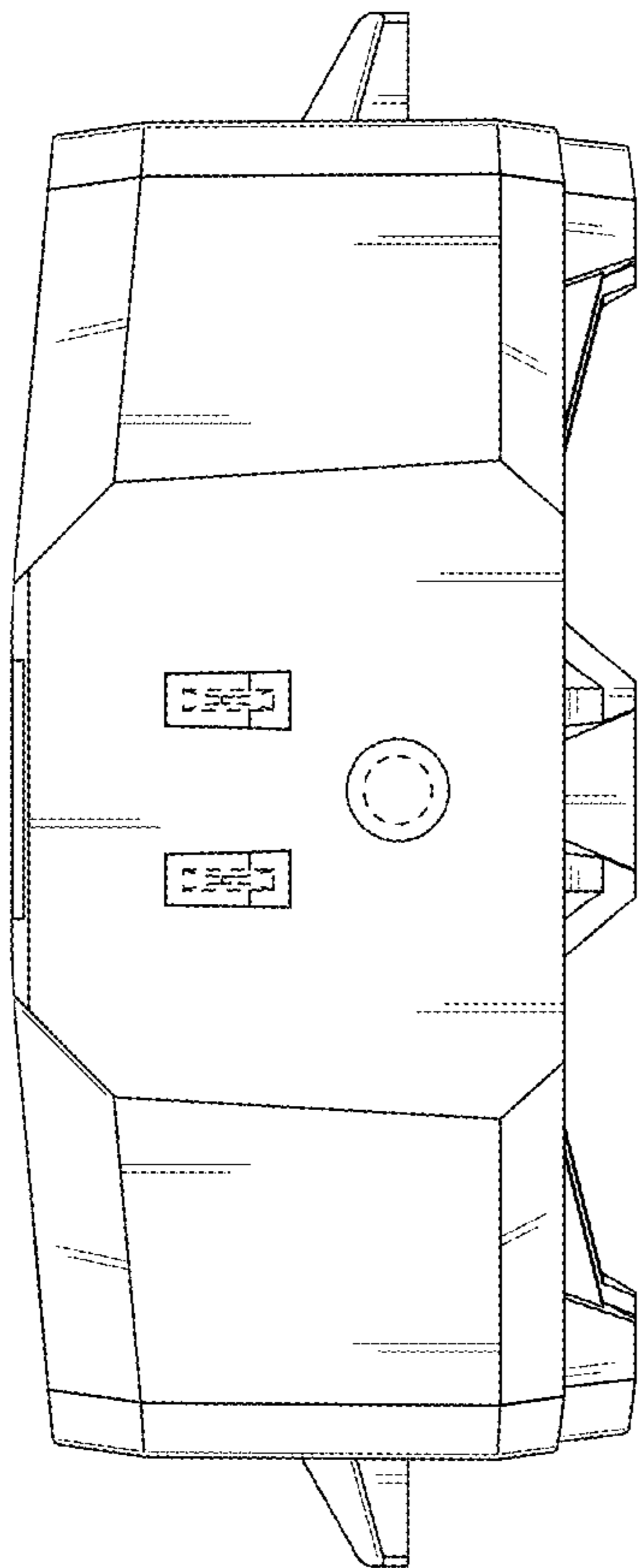


FIG. 5

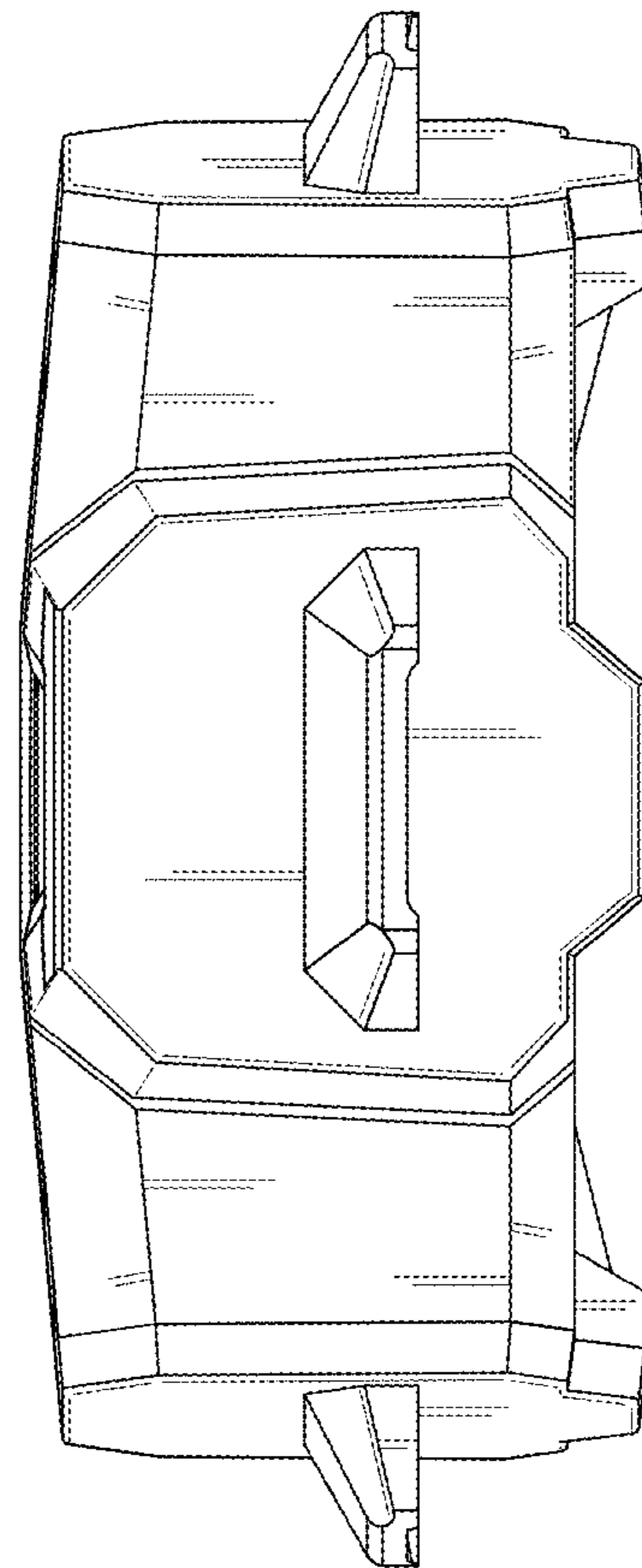


FIG. 6

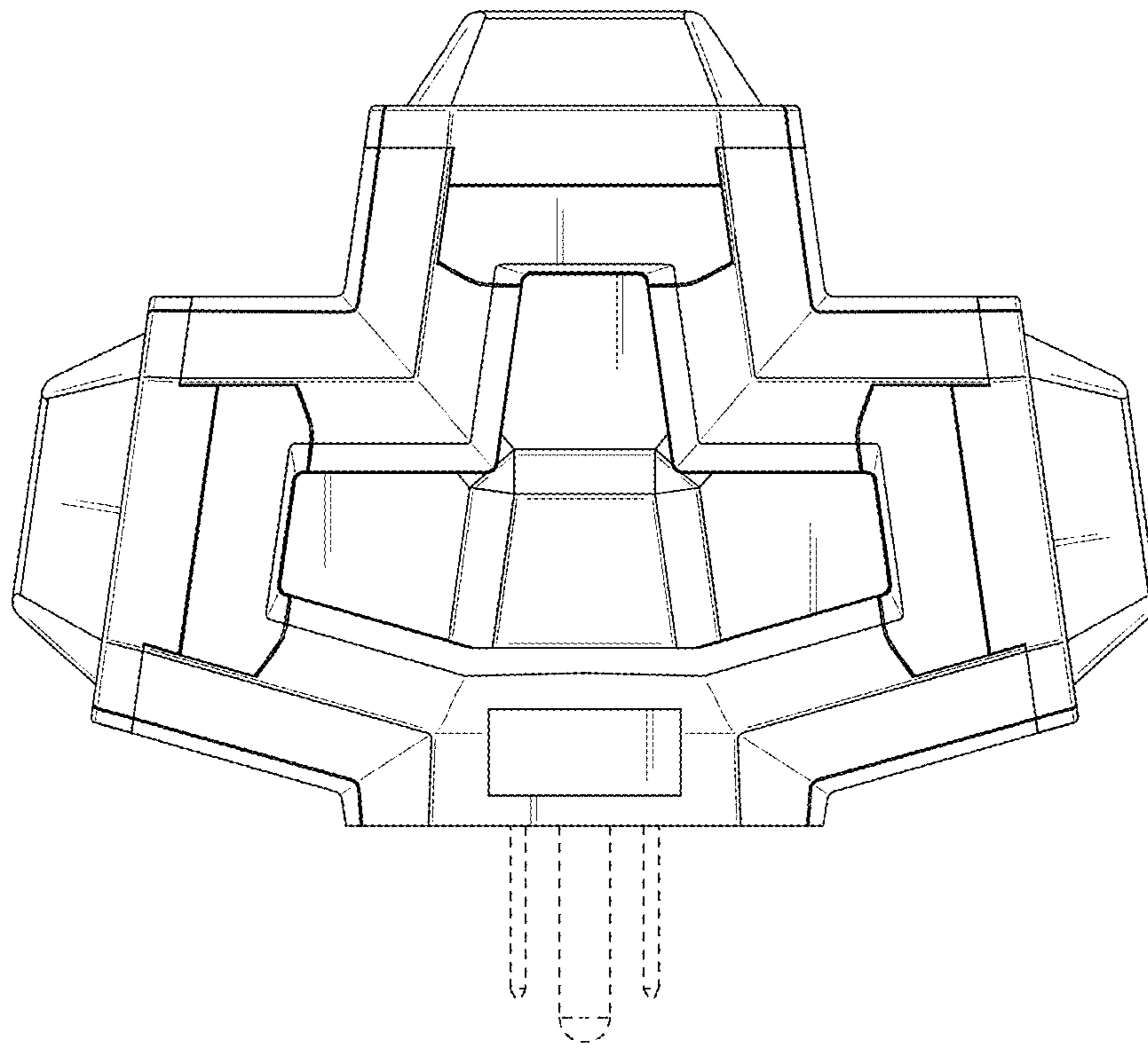


FIG. 7

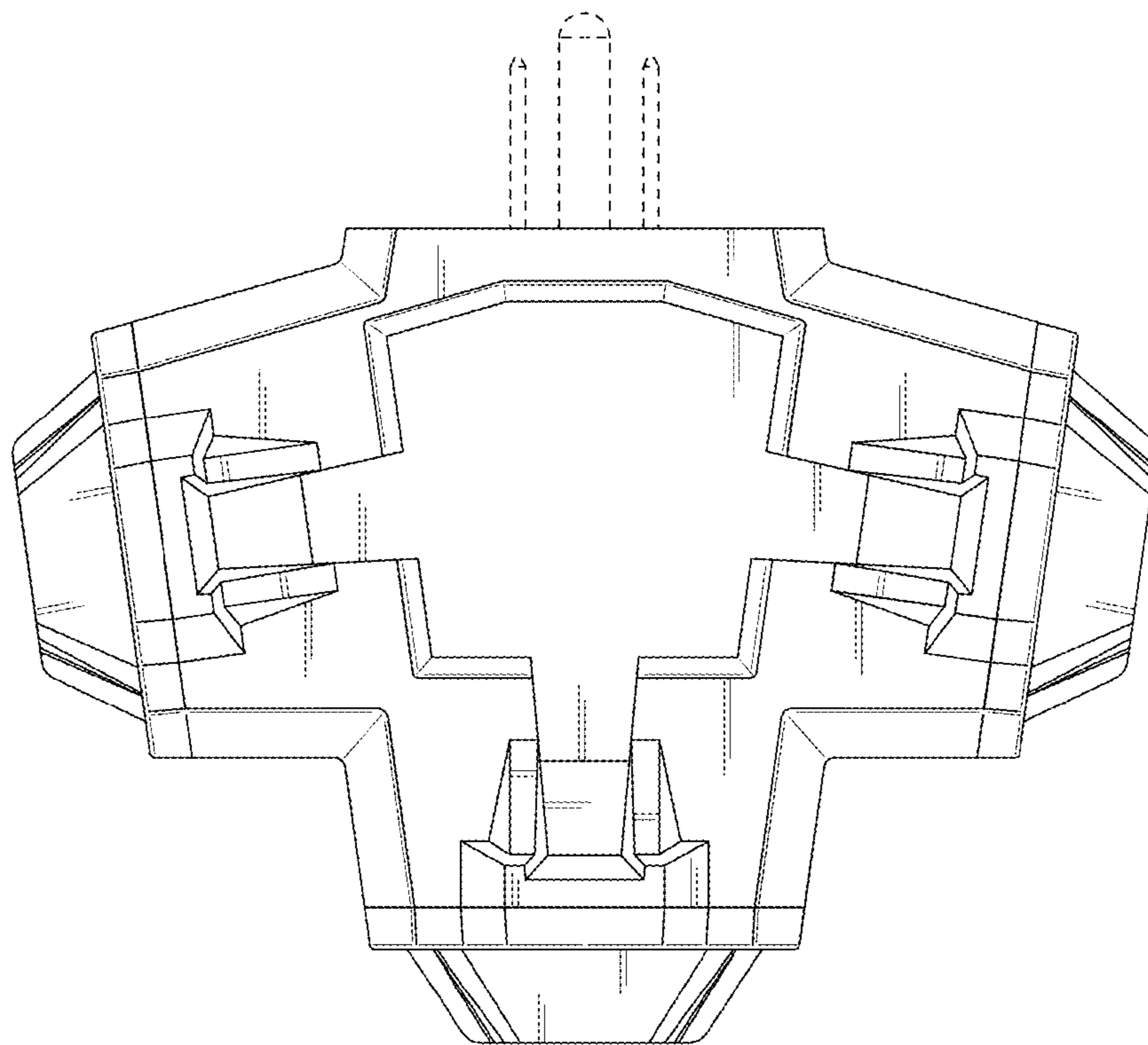


FIG. 8