



US00D883217S

(12) **United States Design Patent**
Zheng

(10) **Patent No.:** **US D883,217 S**

(45) **Date of Patent:** **** May 5, 2020**

- (54) **SMART PLUG WITH OUTLET**
- (71) Applicant: **Foner Technology Co.Ltd**, Shenzhen (CN)
- (72) Inventor: **Wenlong Zheng**, Hung Hom Kln (HK)
- (**) Term: **15 Years**
- (21) Appl. No.: **29/717,320**
- (22) Filed: **Dec. 17, 2019**
- (51) **LOC (12) Cl.** **13-03**
- (52) **U.S. Cl.**
USPC **D13/137.1**
- (58) **Field of Classification Search**
USPC D13/137.1-137.4, 110, 139.1-139.8
CPC G05B 15/02; G01K 1/024; H01R 13/6395;
G01D 4/006
See application file for complete search history.

D852,138 S *	6/2019	Wen	D13/137.1
D852,139 S *	6/2019	Wen	D13/137.1
D852,140 S *	6/2019	Chen	D13/137.2
D856,934 S *	8/2019	Levy	D13/137.2
D861,613 S *	10/2019	Dai	D13/137.2
D862,388 S *	10/2019	Qiu	D13/137.2
D864,871 S *	10/2019	Xiao	D13/137.3
D867,996 S *	11/2019	Chen	D13/137.2
D869,398 S *	12/2019	Wang	D13/137.3
D874,401 S *	2/2020	Zhong	D13/110
D874,403 S *	2/2020	Canizares	D13/137.2

* cited by examiner

Primary Examiner — Rhea Shields

(74) *Attorney, Agent, or Firm* — Jie Yang; ZANIP

(57) **CLAIM**

The ornamental design for a smart plug with outlet, as shown and described.

DESCRIPTION

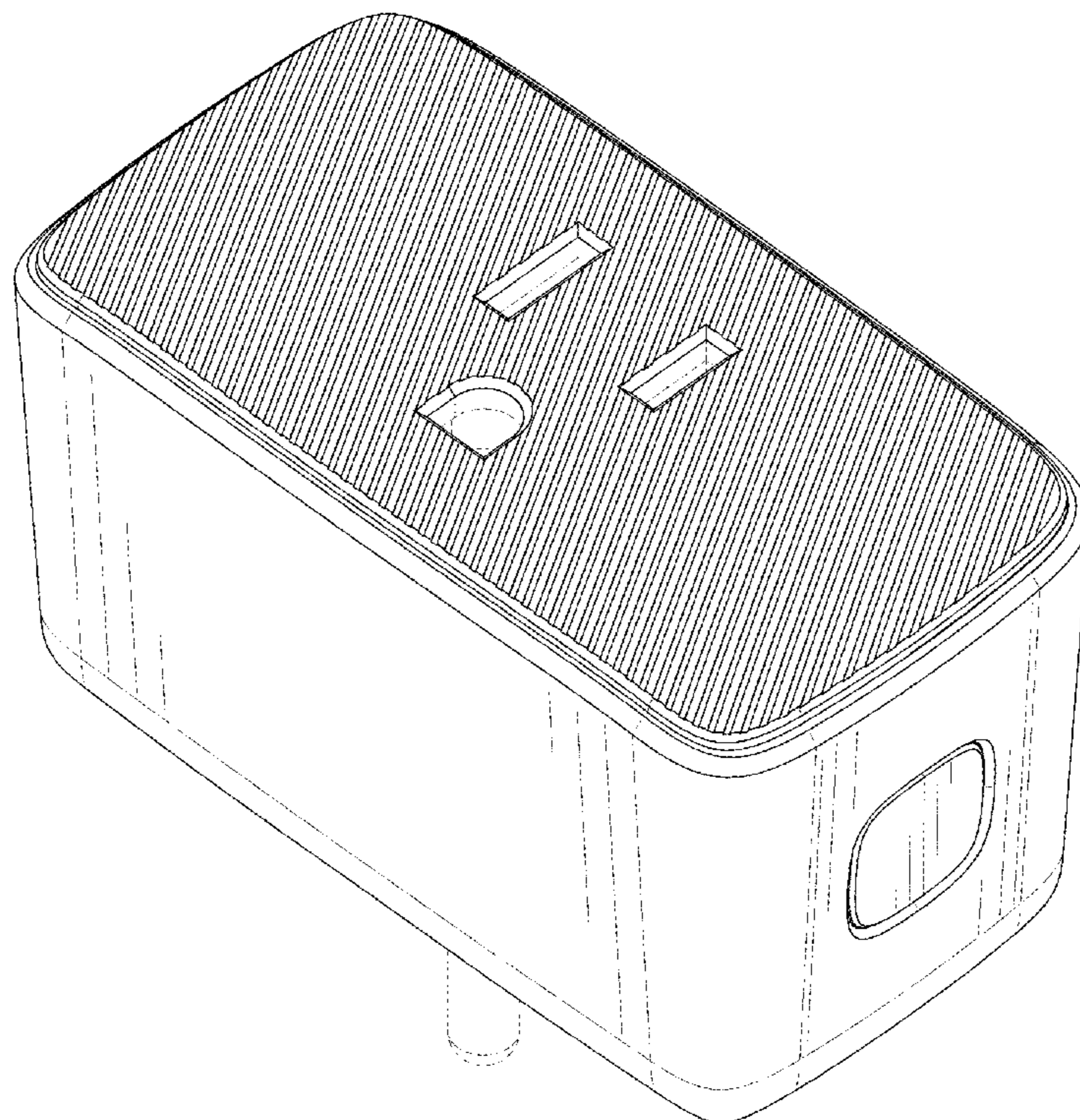
FIG. 1 is a front and top perspective view of a smart plug with outlet, showing my new design;
 FIG. 2 is a rear and bottom perspective view thereof;
 FIG. 3 is a front elevational view thereof;
 FIG. 4 is a rear elevational view thereof;
 FIG. 5 is a left side elevational view thereof;
 FIG. 6 is a right side elevational view thereof;
 FIG. 7 is a top plan view thereof;
 FIG. 8 is a bottom plan view thereof; and,
 FIG. 9 is an enlarged view of a portion indicated in FIG. 3.
 The broken lines in the figures illustrate portions of the smart, plug with outlet that form no part of the claimed design.

1 Claim, 9 Drawing Sheets

(56) **References Cited**

U.S. PATENT DOCUMENTS

8,872,390 B2 *	10/2014	Buchheim	G01D 4/006
				307/140
D755,127 S *	5/2016	Wong	D13/137.2
D756,303 S *	5/2016	Kellenberger	D13/137.1
D758,312 S *	6/2016	Lin	D13/137.2
9,564,713 B1 *	2/2017	Lo	H01R 13/6395
D835,042 S *	12/2018	Qiu	D13/137.2
10,161,806 B2 *	12/2018	Lermann	G05B 15/02
10,194,296 B2 *	1/2019	Tetreault	G01K 1/024
D843,943 S *	3/2019	Yang	D13/137.2
D845,900 S *	4/2019	Liu	D13/137.2
D848,948 S *	5/2019	Wei	D13/137.2



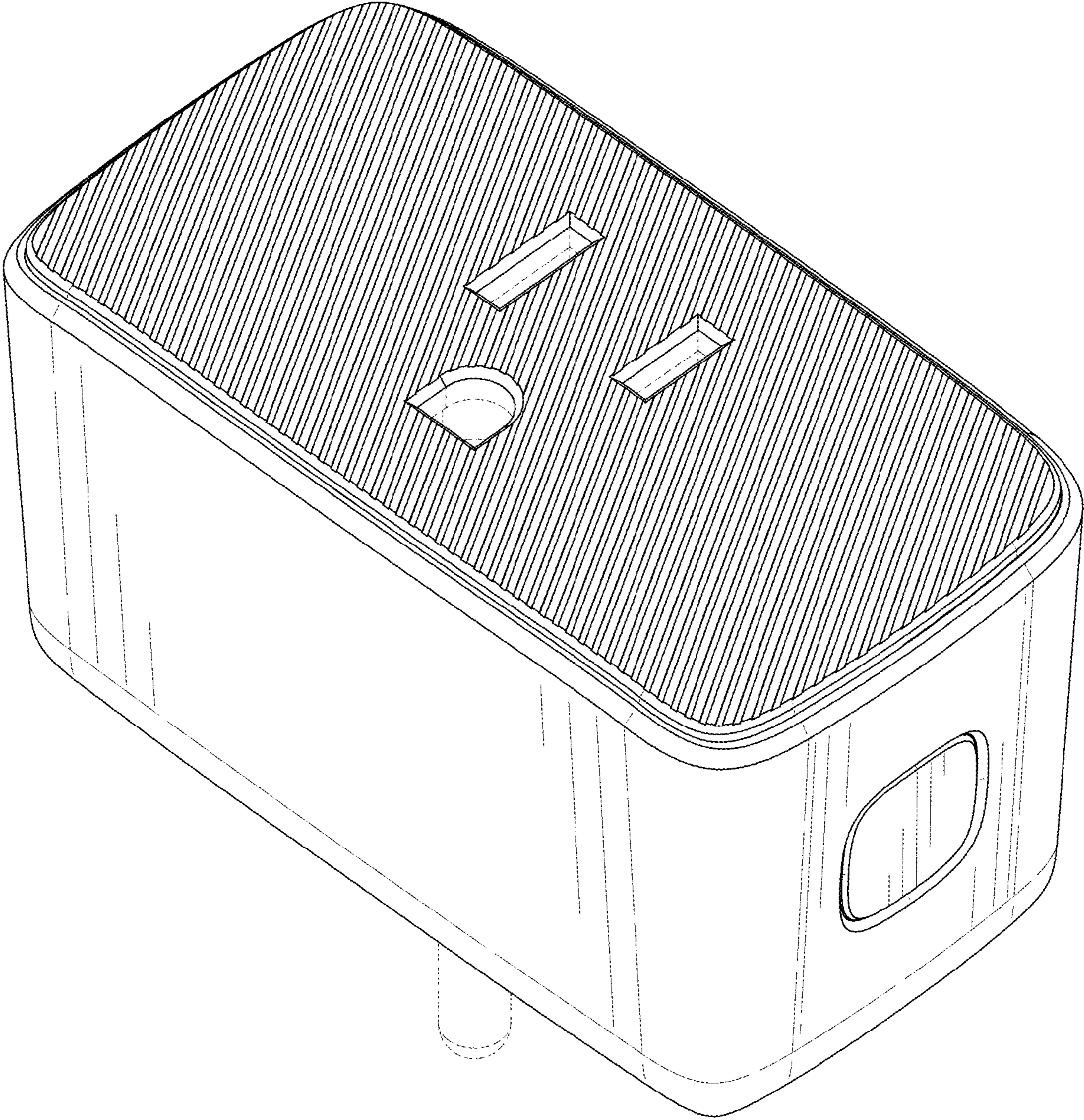


FIG. 1

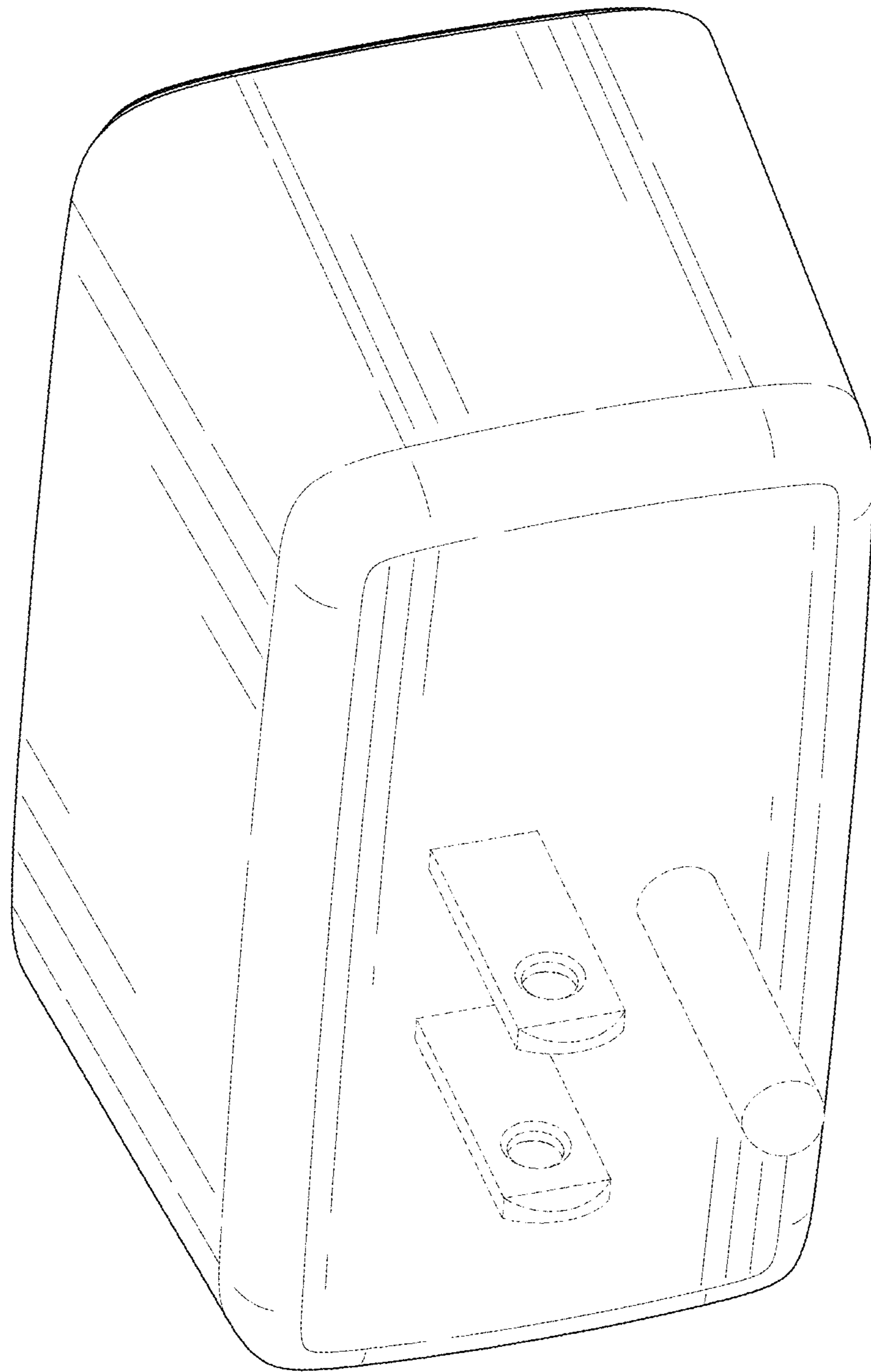


FIG. 2

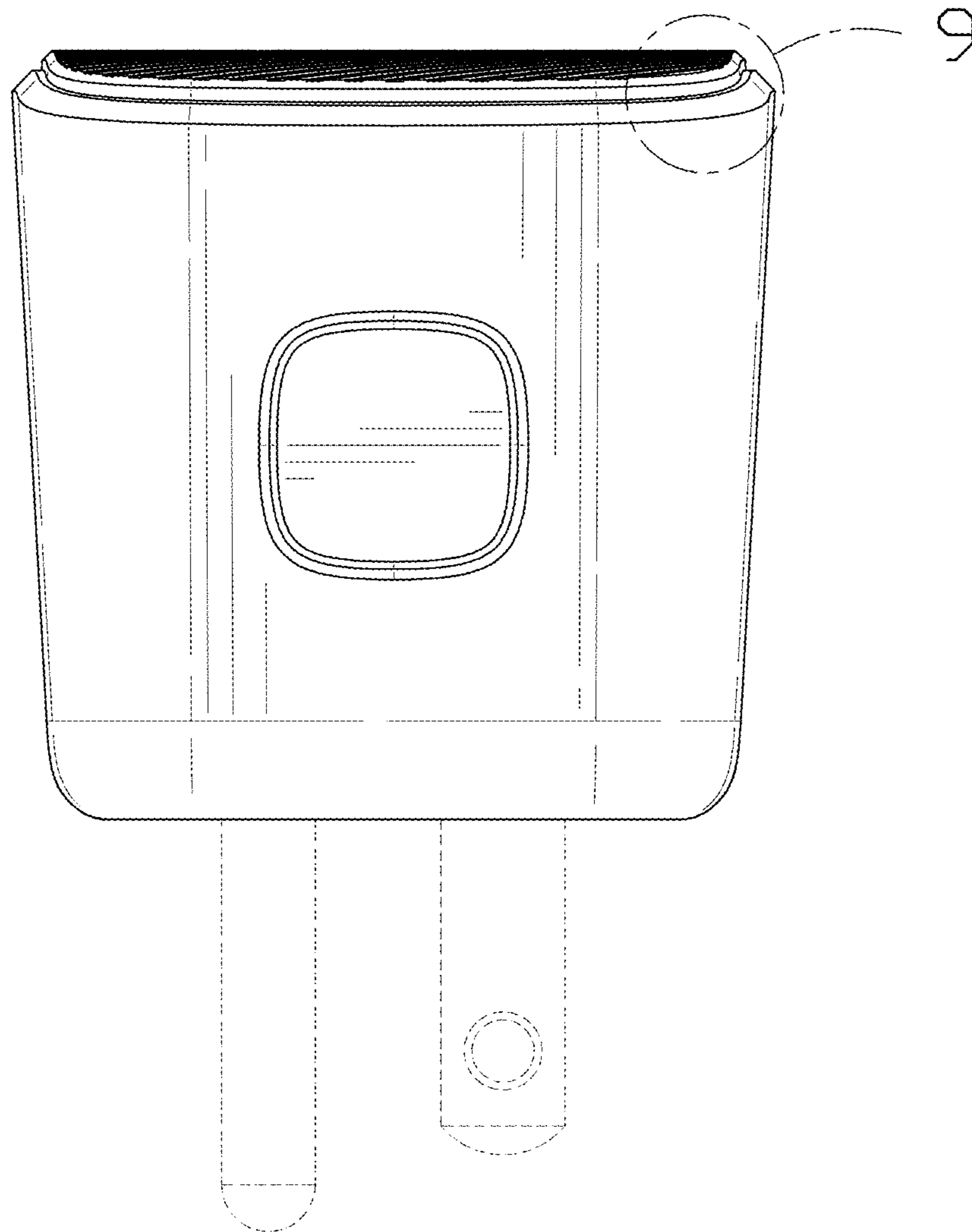


FIG. 3

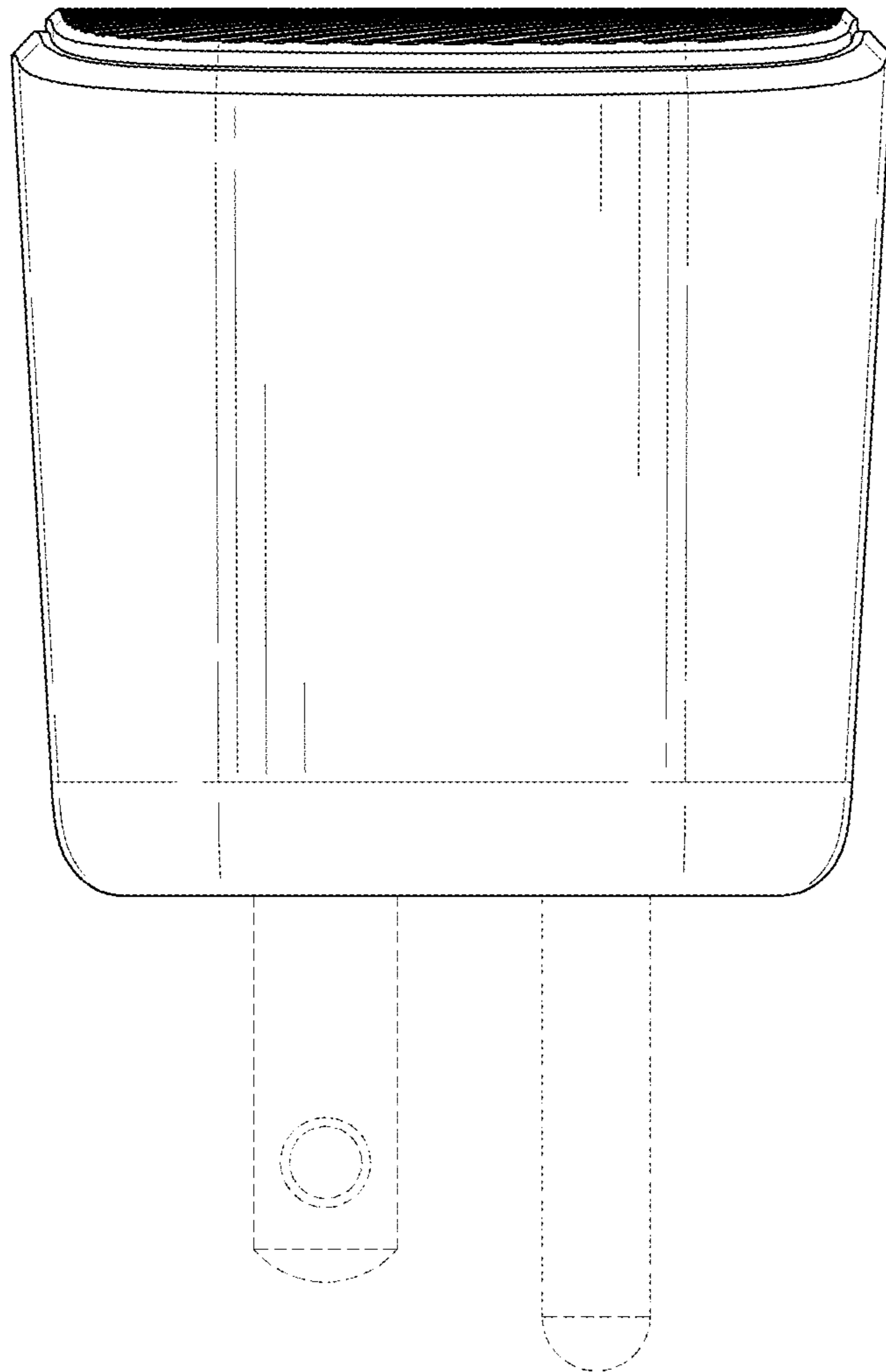


FIG. 4

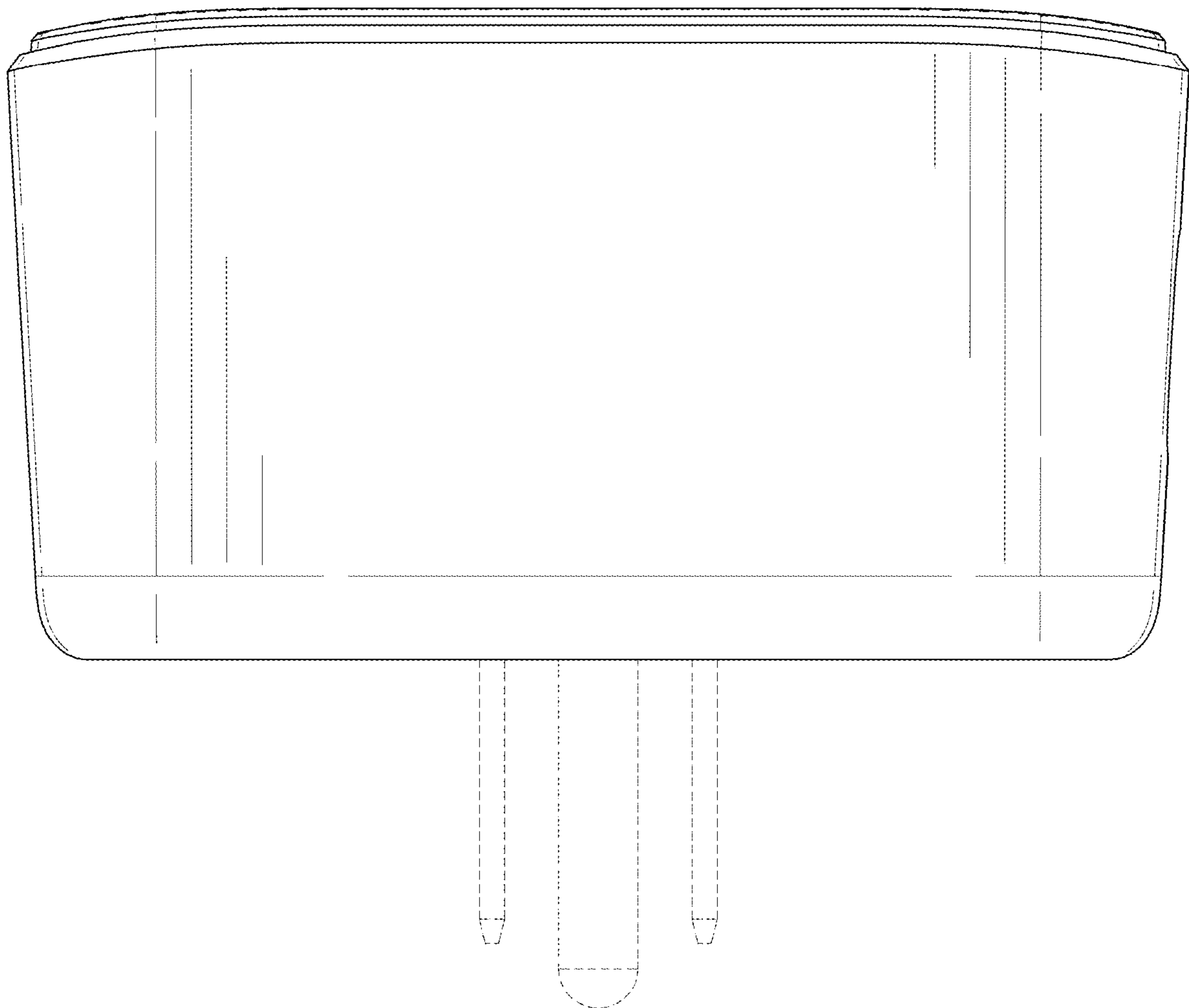


FIG. 5

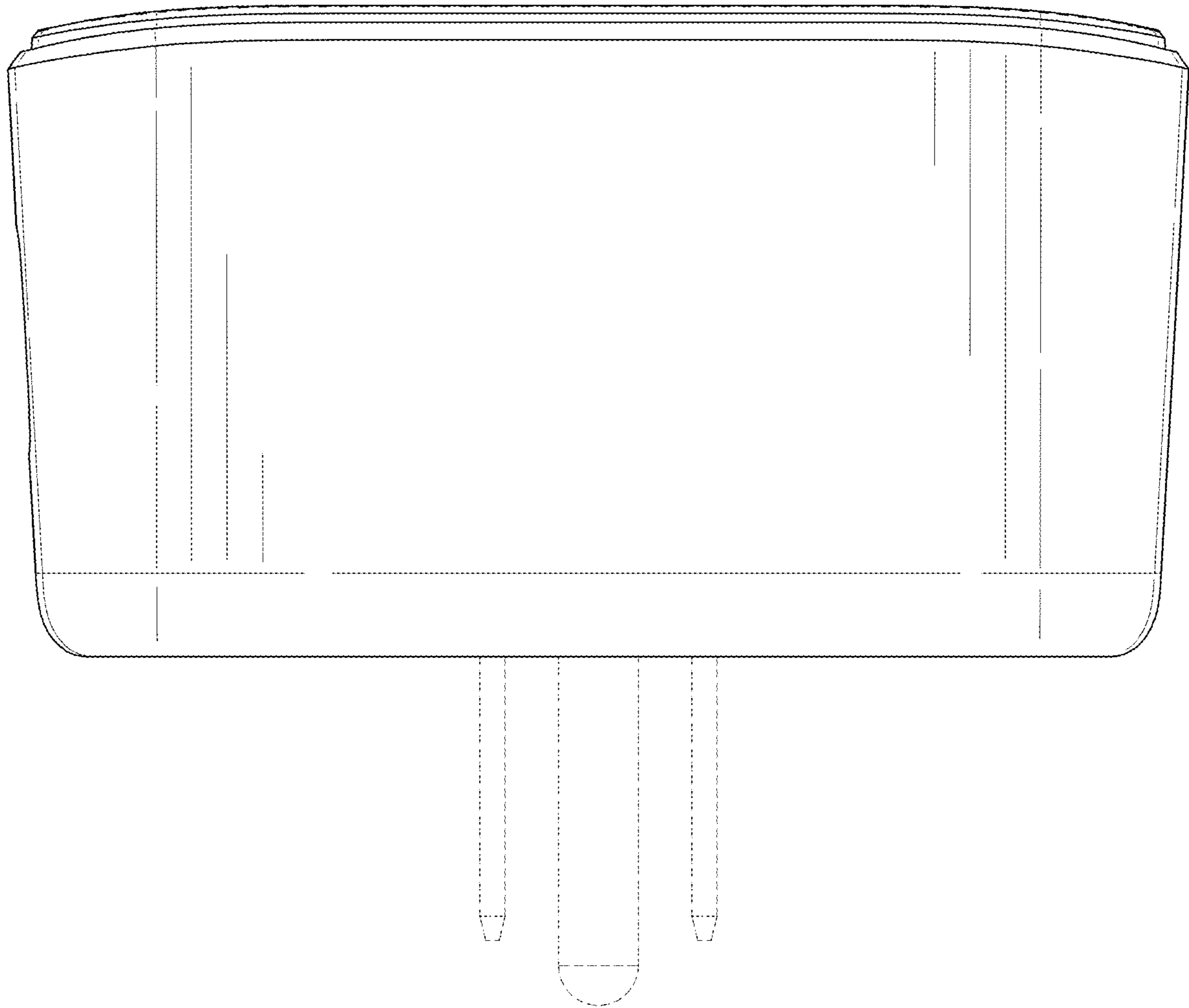


FIG. 6

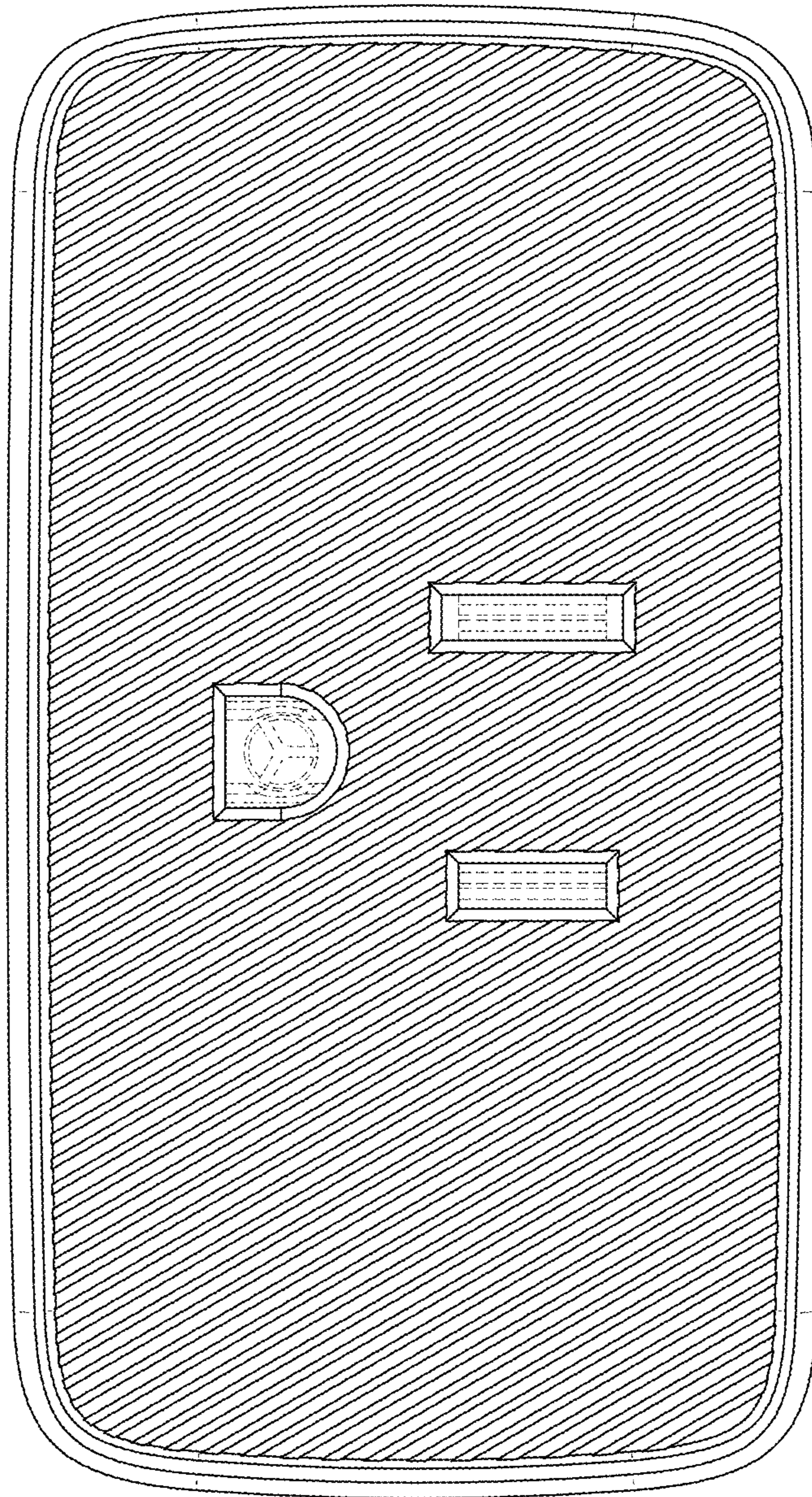


FIG. 7

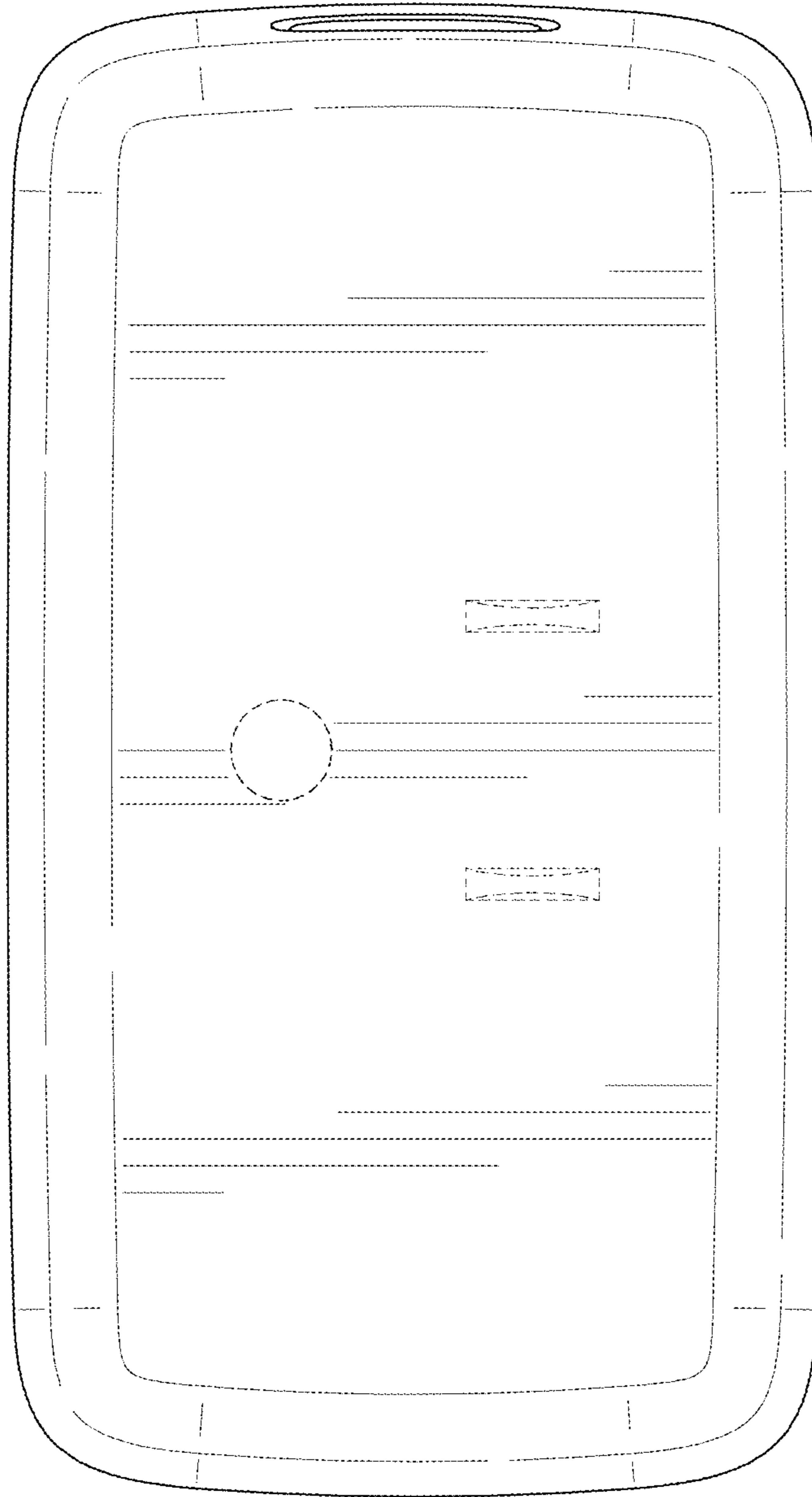


FIG. 8

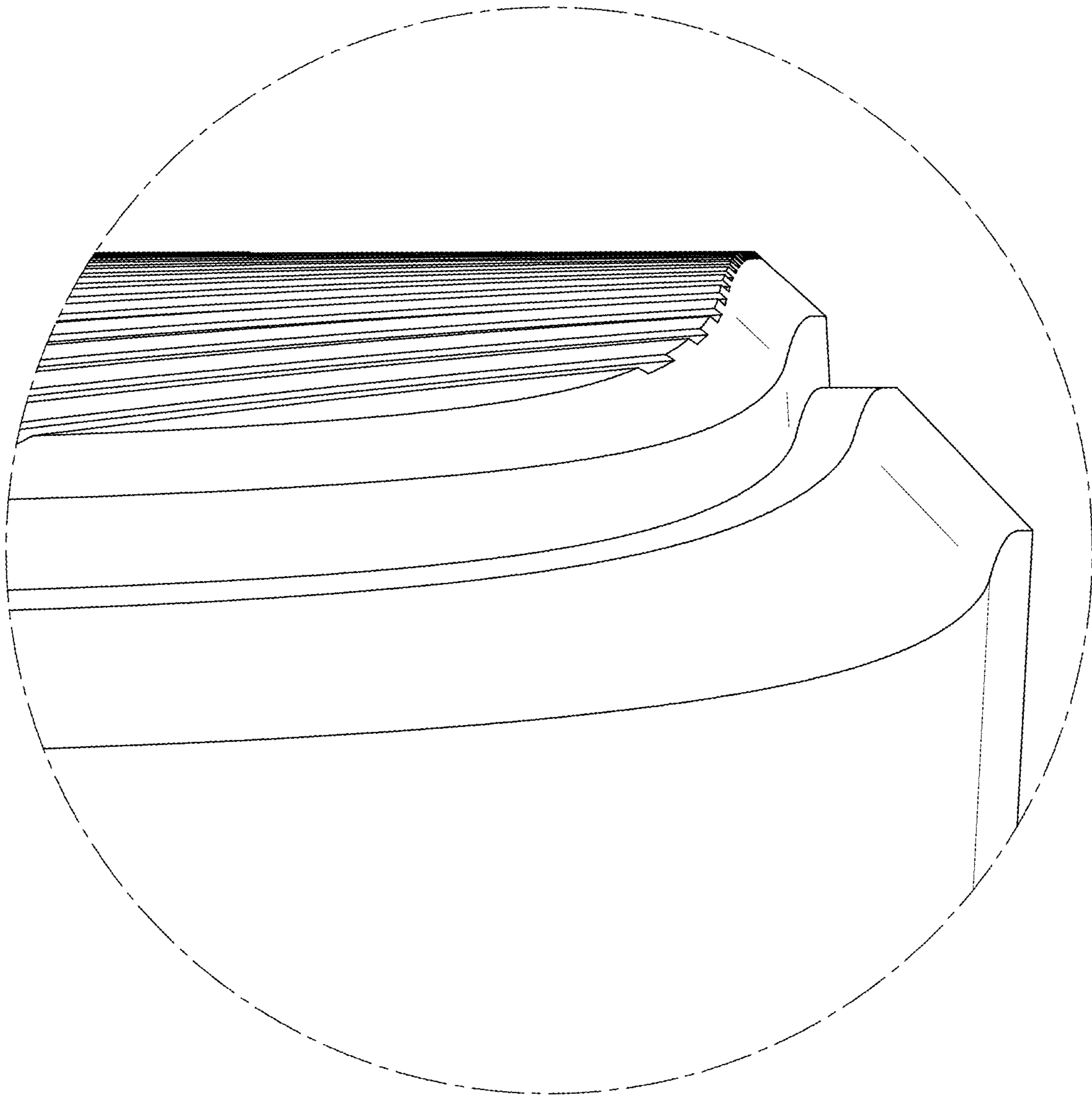


FIG. 9