



US00D883216S

(12) **United States Design Patent**
Brandt et al.

(10) **Patent No.:** **US D883,216 S**

(45) **Date of Patent:** **** May 5, 2020**

(54) **CONDUCTOR**

(71) Applicant: **Eaton Intelligent Power Limited**,
Dublin (IE)

(72) Inventors: **Douglas Michael Brandt**, Wampum,
PA (US); **Mark Anthony Janusek**,
Bethel Park, PA (US); **Logan Dwight**
Weigle, McKees Rocks, PA (US); **Tyler**
Louis Holp, Coraopolis, PA (US); **Brad**
Robert Leccia, Bethel Park, PA (US)

(73) Assignee: **EATON INTELLIGENT POWER**
LIMITED, Dublin (IE)

(**) Term: **15 Years**

(21) Appl. No.: **29/666,783**

(22) Filed: **Oct. 16, 2018**

(51) **LOC (12) Cl.** **13-03**

(52) **U.S. Cl.**
USPC **D13/133**

(58) **Field of Classification Search**
USPC D13/110, 112, 118, 123, 133, 146-149,
D13/154-156, 160, 173, 178, 184, 199
CPC H01H 33/664; H01H 2071/086; H01H
71/02; H01H 71/0235; H01H 71/08;
H01H 75/00; H02H 3/00
See application file for complete search history.

(56) **References Cited**

U.S. PATENT DOCUMENTS

D251,491 S * 4/1979 Snyder, Jr. D13/146
D795,809 S * 8/2017 Brandt D13/133
9,767,978 B1 9/2017 Brandt et al.

D801,930 S * 11/2017 Brandt D13/133
D808,347 S * 1/2018 Benda D13/178
D827,577 S * 9/2018 Brandt D13/133
D827,578 S * 9/2018 Brandt D13/133
D829,659 S * 10/2018 Brandt D13/133
D829,660 S * 10/2018 Brandt D13/133
D843,567 S * 3/2019 Gloria Bello D24/129
D867,995 S * 11/2019 Brandt D13/133
2009/0255905 A1 * 10/2009 Lee H01H 33/6606
218/139

2017/0338071 A1 11/2017 Brandt et al.

* cited by examiner

Primary Examiner — Angela J Lee

Assistant Examiner — Shawn T Gingrich

(74) *Attorney, Agent, or Firm* — Eckert Seamans Cherin
& Mellott, LLC

(57) **CLAIM**

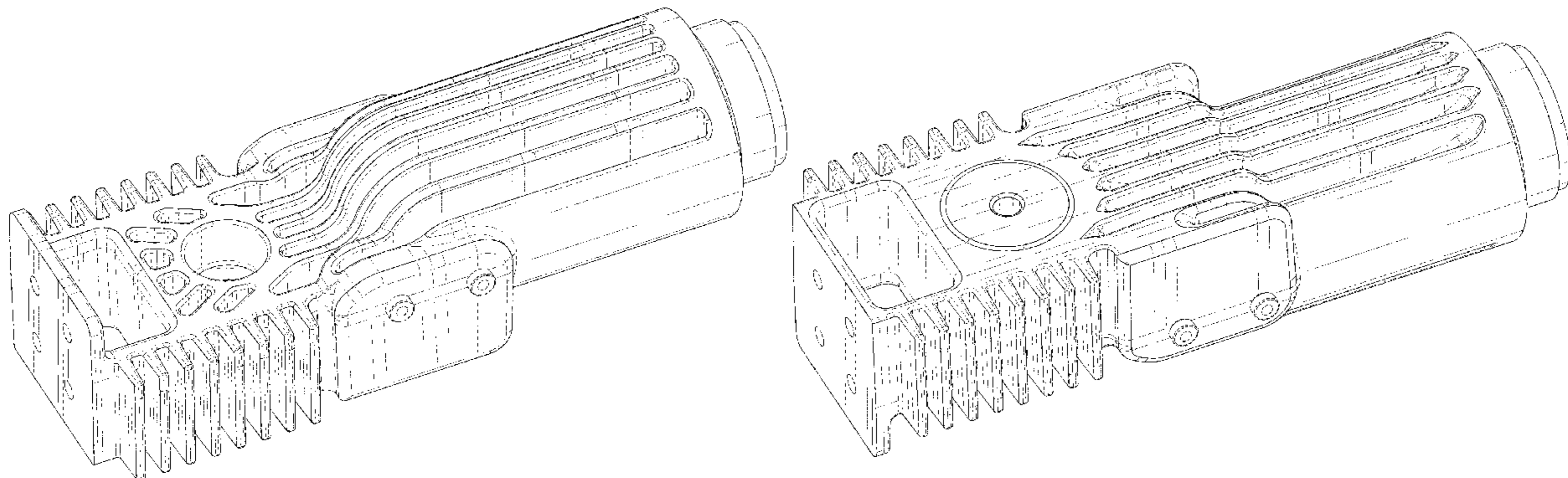
The ornamental design for a conductor, as shown and
described.

DESCRIPTION

FIG. 1 is an isometric view of the conductor;
FIG. 2 is another isometric view of the conductor;
FIG. 3 is a top view of the conductor;
FIG. 4 is a bottom view of the conductor;
FIG. 5 is a left view of the conductor;
FIG. 6 is a right view of the conductor;
FIG. 7 is a front view of the conductor;
FIG. 8 is a back view of the conductor; and,
FIG. 9 is cross-sectional view of the conductor taken along
line 9-9 on FIG. 3.

The broken lines in the drawings illustrate portions of the
conductor that form no part of the claimed design.

1 Claim, 8 Drawing Sheets



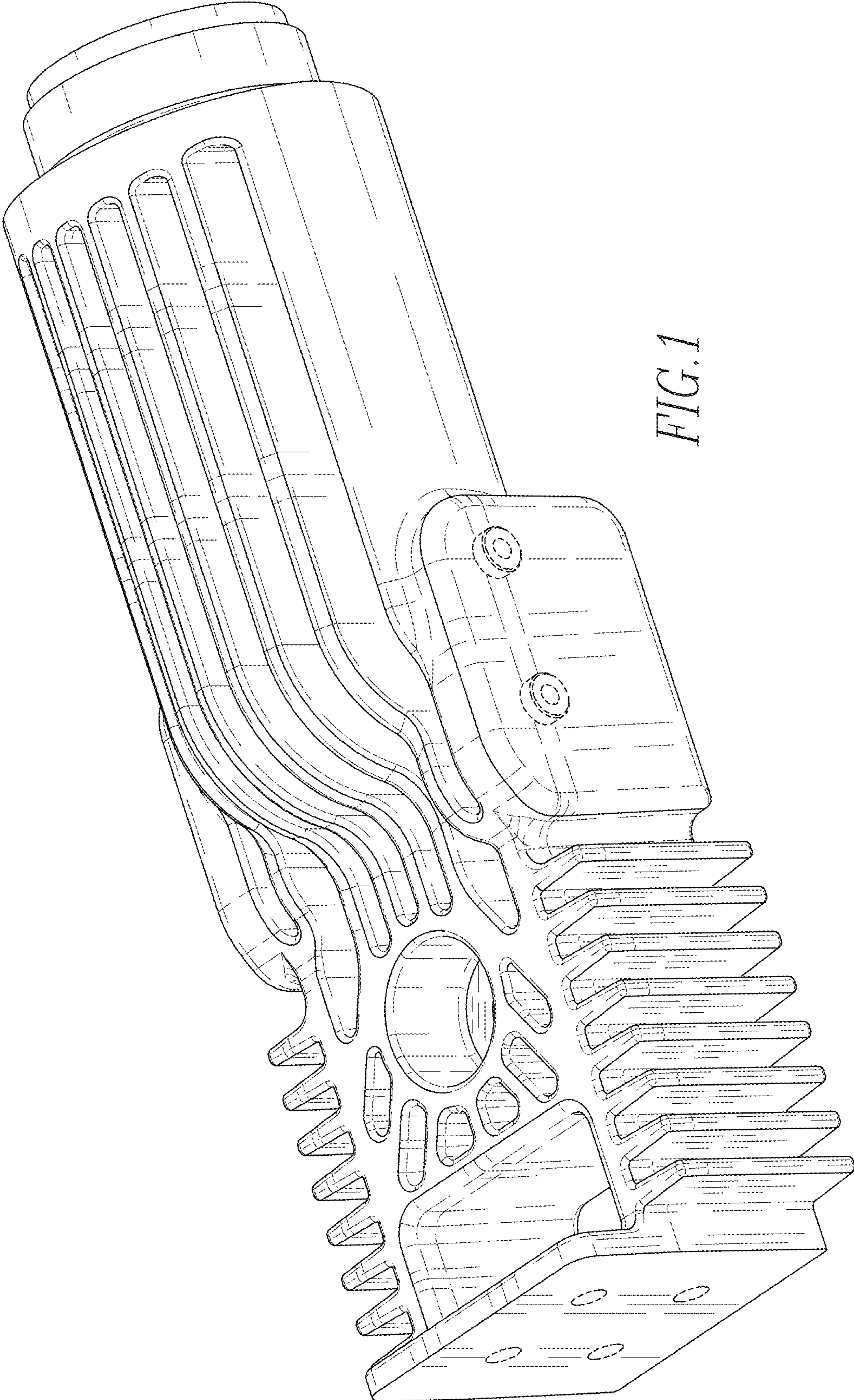


FIG. 1

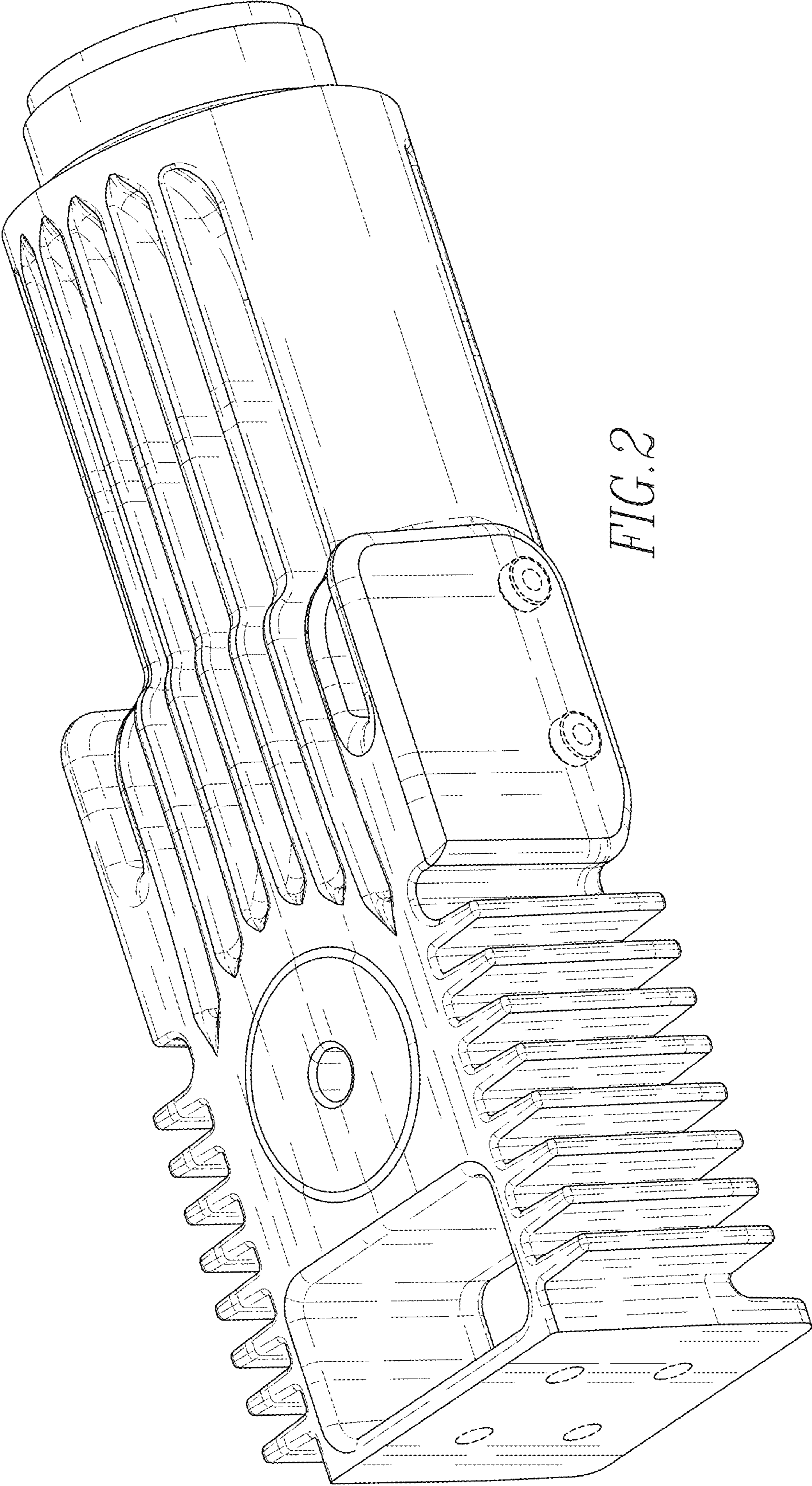


FIG. 2

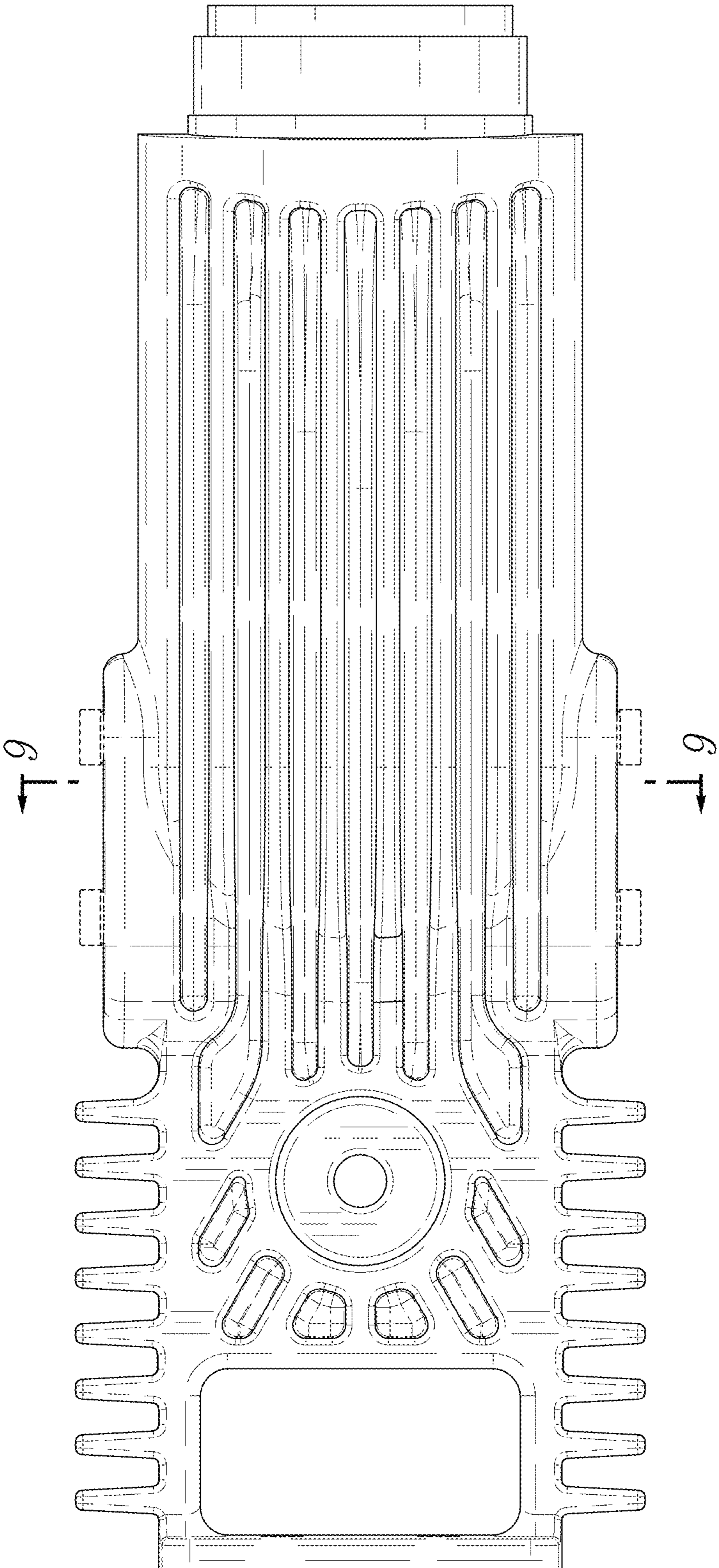


FIG. 3

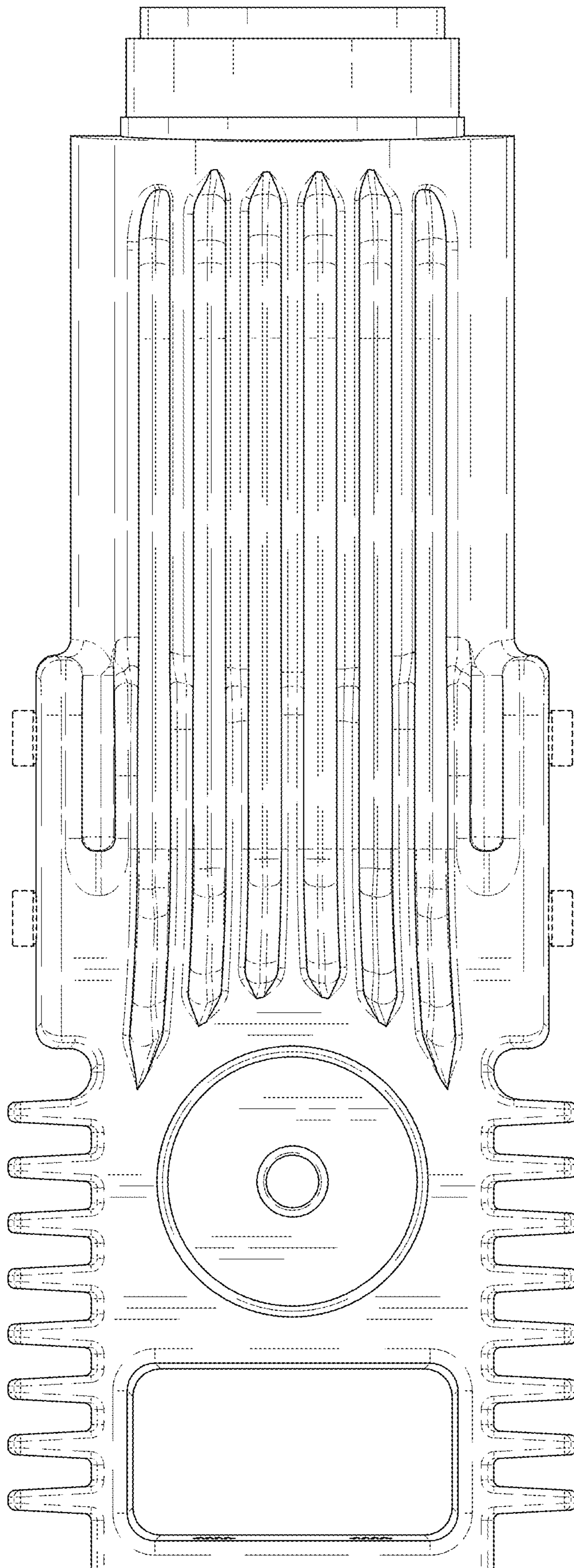


FIG. 4

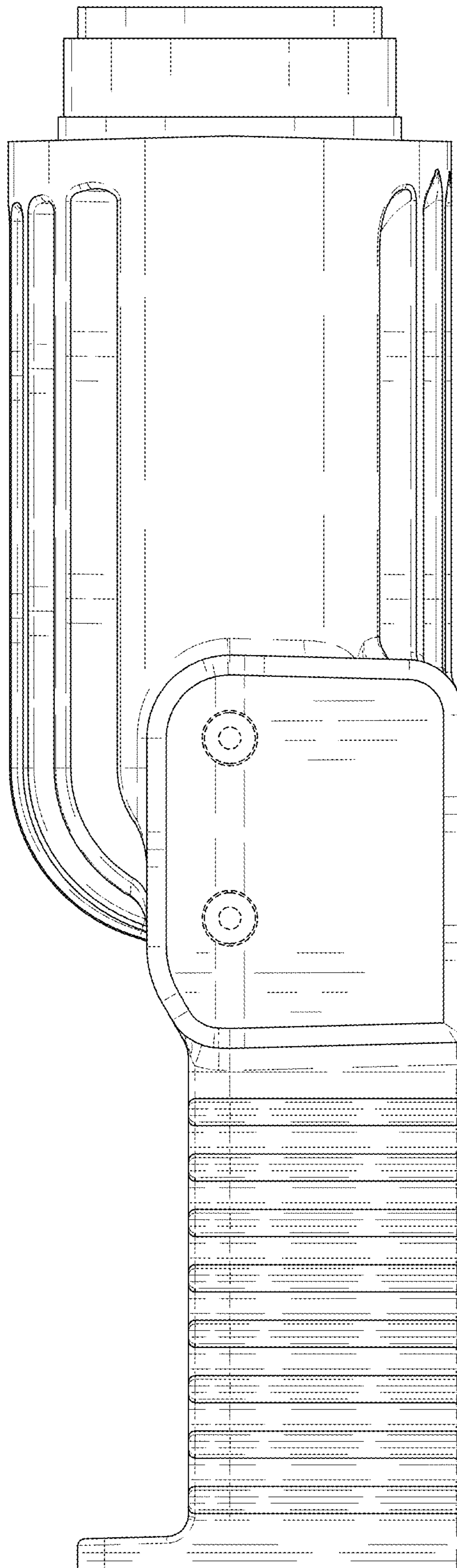


FIG. 5

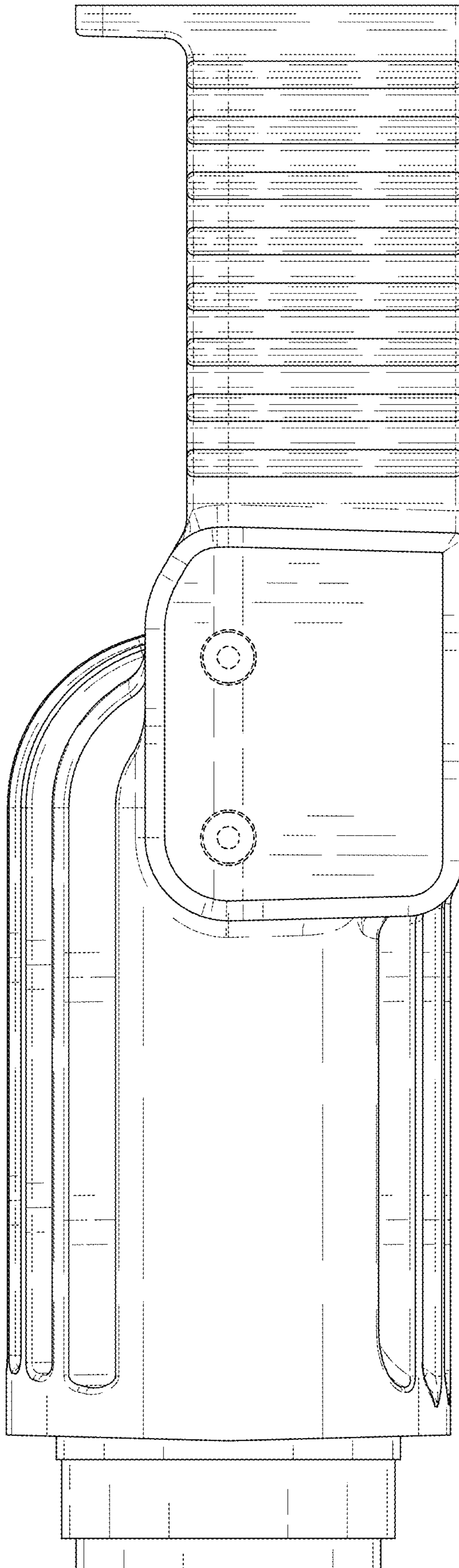


FIG. 6

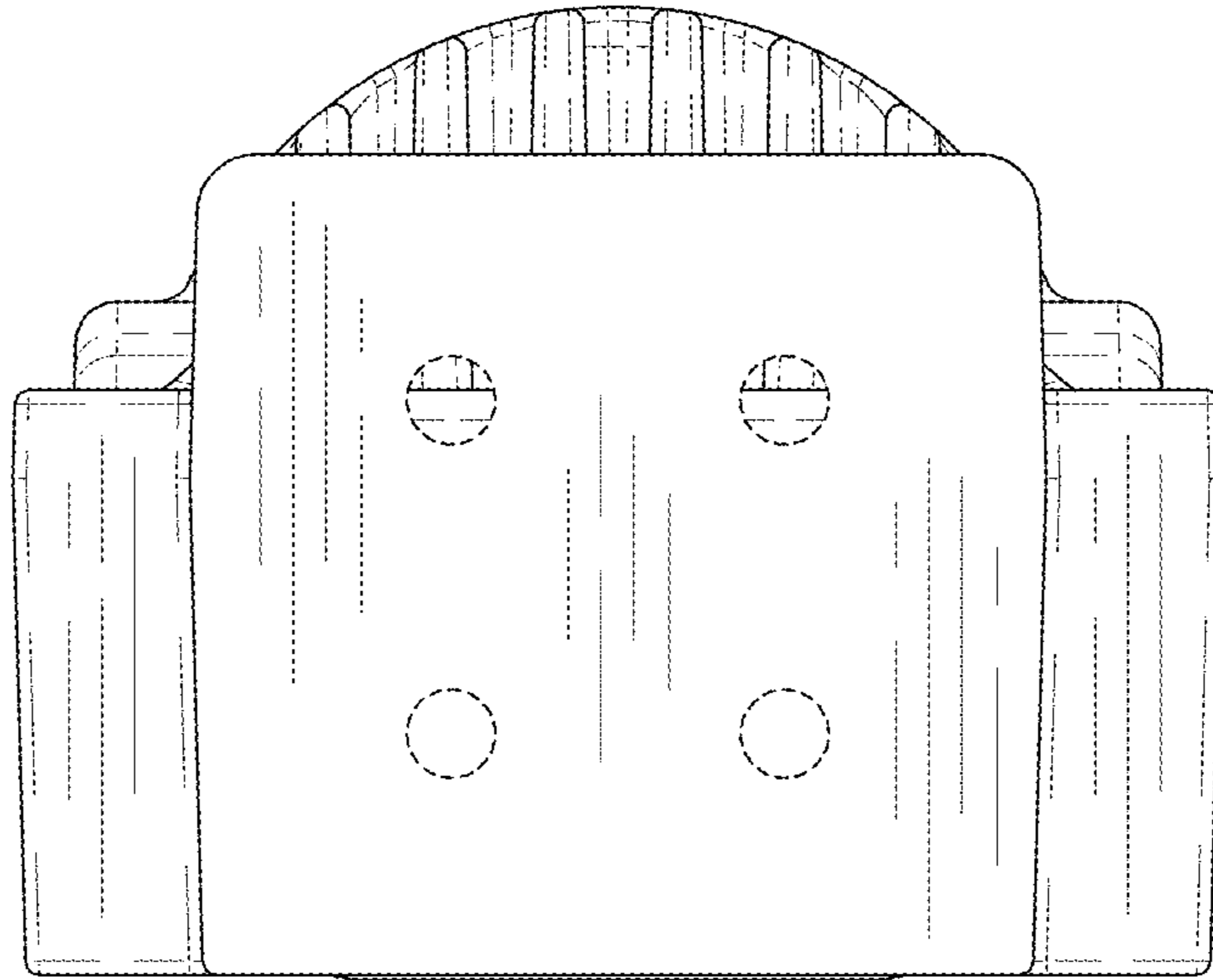


FIG. 7

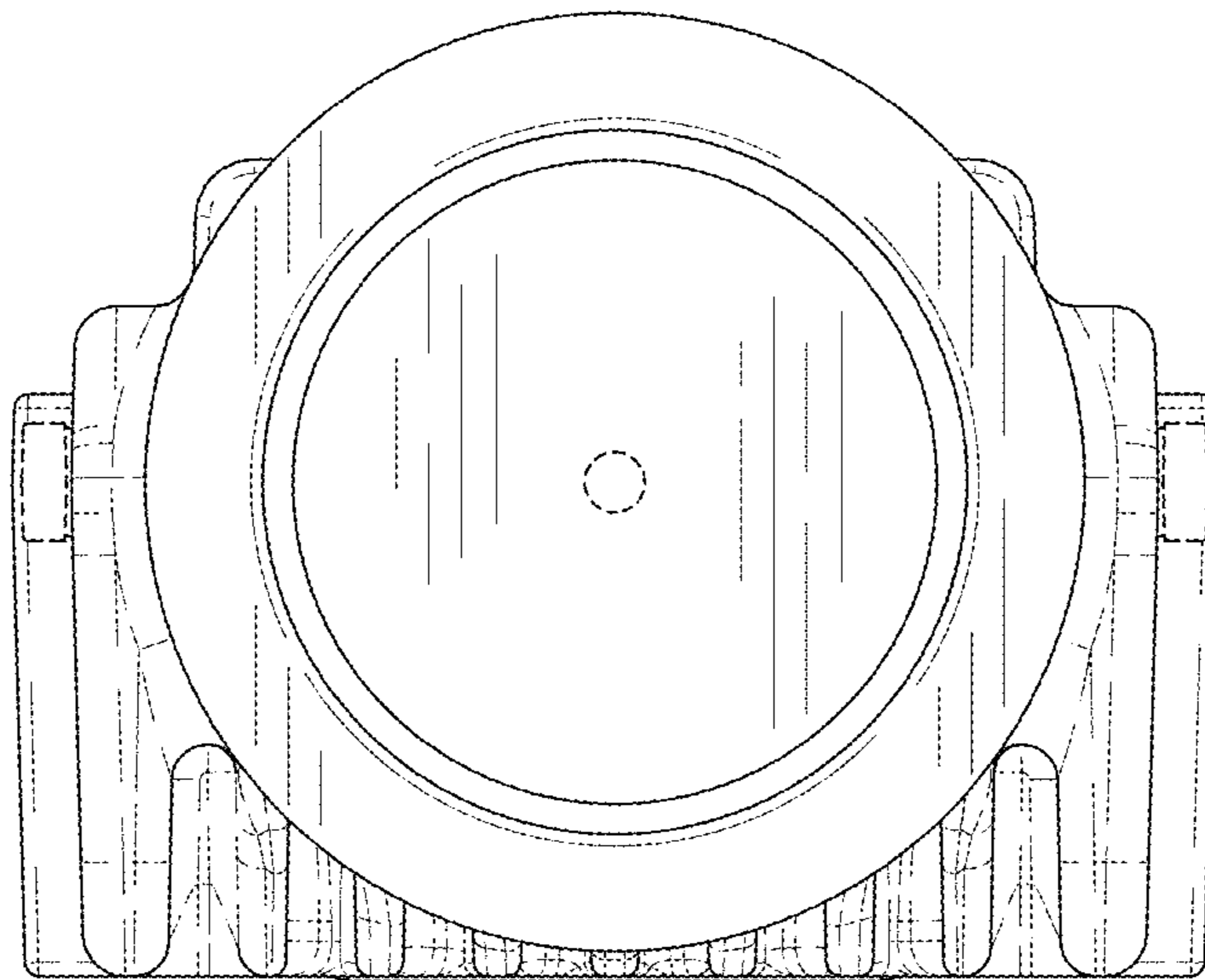


FIG. 8

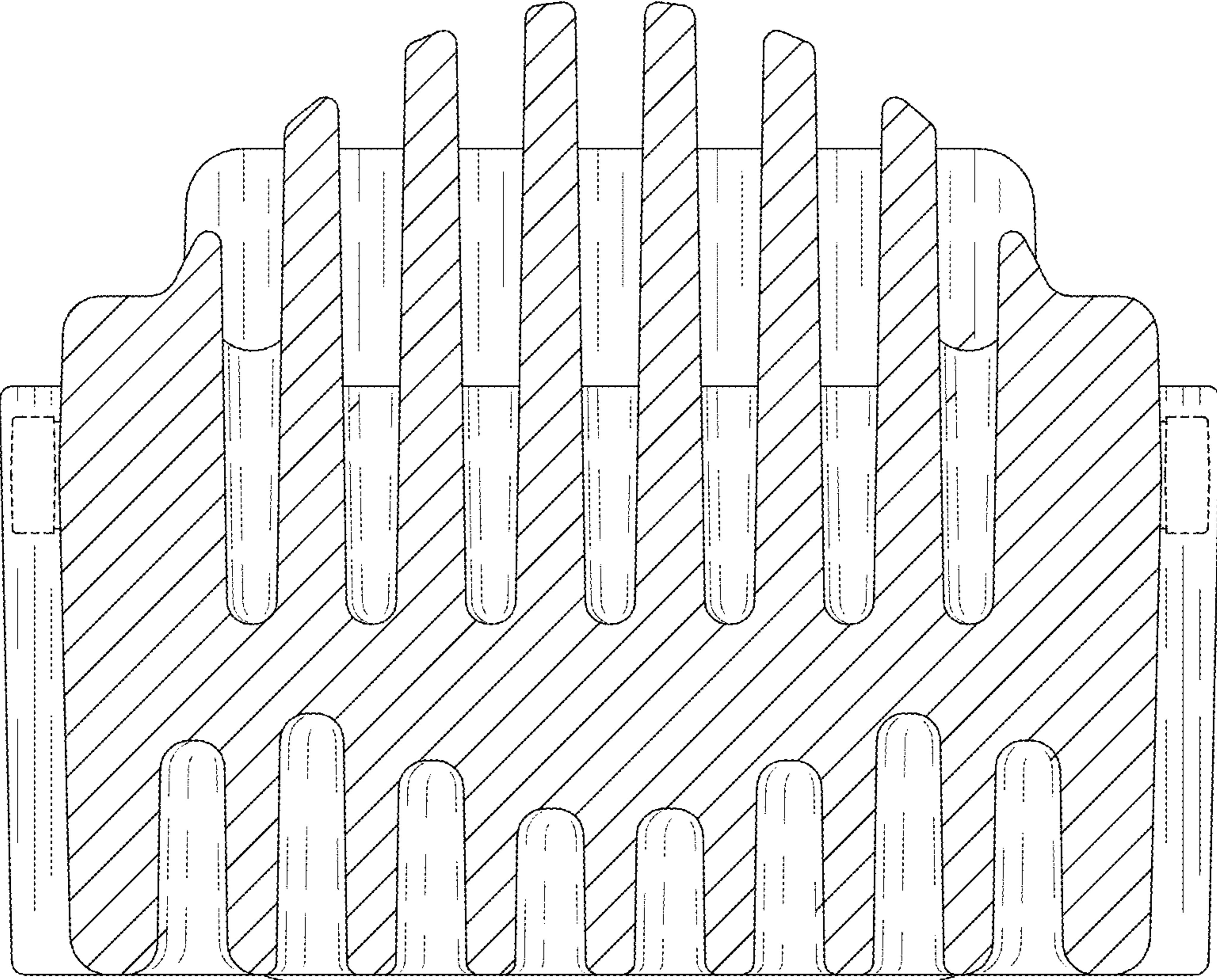


FIG. 9