



US00D883215S

(12) **United States Design Patent** (10) **Patent No.:** **US D883,215 S**
Wang (45) **Date of Patent:** **** May 5, 2020**

(54) **CABLE CONNECTOR**

Transfer-Enclosures-Printers-Cameras/dp/B00P0E3954/ref=sr_1_3?keywords=usb+male&qid=1583341846&sr=8-3.*

(71) Applicant: **Yulong Computer Telecommunication Scientific (Shenzhen) Co., Ltd.**,
Shenzhen, Guangdong (CN)

(Continued)

(72) Inventor: **Yufei Wang**, Guangdong (CN)

Primary Examiner — Karen E Kearney
Assistant Examiner — Michael J Chong
(74) *Attorney, Agent, or Firm* — Young Basile Hanlon & MacFarlane, P.C.

(73) Assignee: **Yulong Computer Telecommunication Scientific (Shenzhen) Co., Ltd.**,
Shenzhen, Guangdong (CN)

(57) **CLAIM**

The ornamental design for a cable connector, as shown and described.

(**) Term: **15 Years**

DESCRIPTION

(21) Appl. No.: **29/654,906**

FIG. 1 is a front, top, and left perspective view of a first embodiment of a cable connector, showing my new design. FIG. 2 is a front view of the first embodiment of the cable connector of FIG. 1.

(22) Filed: **Jun. 28, 2018**

FIG. 3 is a rear view of the first embodiment of the cable connector of FIG. 1.

(30) **Foreign Application Priority Data**

May 14, 2018 (CN) 2018 3 0218881

FIG. 4 is a left side view of the first embodiment of the cable connector of FIG. 1.

(51) **LOC (12) Cl.** **13-03**

FIG. 5 is a right side view of the first embodiment of the cable connector of FIG. 1.

(52) **U.S. Cl.**

USPC **D13/133; D13/147**

FIG. 6 is a top view of the first embodiment of the cable connector of FIG. 1.

(58) **Field of Classification Search**

USPC D13/133, 123, 129, 146, 147, 184;
D14/433, 435, 480, 480.1-7

FIG. 7 is the bottom view of the first embodiment of the cable connector of FIG. 1.

(Continued)

FIG. 8 is a front, top, and left perspective view of a second embodiment of the cable connector, showing my new design.

(56) **References Cited**

U.S. PATENT DOCUMENTS

D491,143 S * 6/2004 Jiang D14/435.1
D511,519 S * 11/2005 Bone D14/480.1

FIG. 9 is a front view of the second embodiment of the cable connector of FIG. 8.

(Continued)

FIG. 10 is a rear view of the second embodiment of the cable connector of FIG. 8.

FOREIGN PATENT DOCUMENTS

CN 201830218881.3 * 5/2018

FIG. 11 is a left side view of the second embodiment of the cable connector of FIG. 8.

OTHER PUBLICATIONS

USB Cable, dated Feb. 8, 2015, [online], [site visited Mar. 5, 2020]. Available from Internet, URL: <https://www.amazon.com/UGREEN->

FIG. 12 is a right side view of the second embodiment of the cable connector of FIG. 8.

FIG. 13 is a top view of the second embodiment of the cable connector of FIG. 8.

FIG. 14 is the bottom view of the second embodiment of the cable connector of FIG. 8.

(Continued)

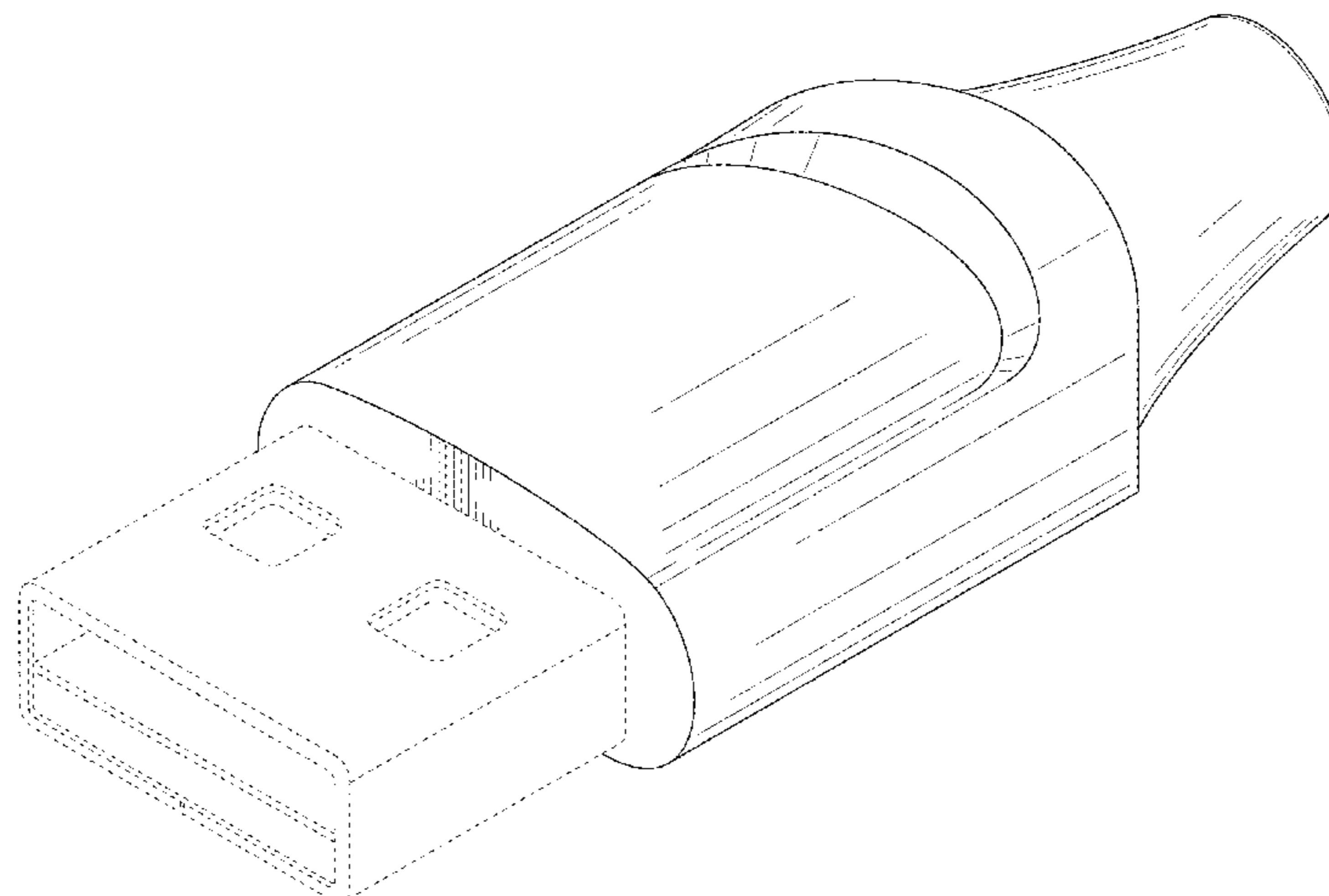


FIG. 15 is a front, top, and left perspective view of a third embodiment of the cable connector, showing my new design.

FIG. 16 is a front view of the third embodiment of the cable connector of FIG. 15.

FIG. 17 is a rear view of the third embodiment of the cable connector of FIG. 15.

FIG. 18 is a left side view of the third embodiment of the cable connector of FIG. 15.

FIG. 19 is a right side view of the third embodiment of the cable connector of FIG. 15.

FIG. 20 is a top view of the third embodiment of the cable connector of FIG. 15; and,

FIG. 21 is the bottom view of the third embodiment of the cable connector of FIG. 15.

The broken lines in the drawings show portions of the cable connector that form no part of claimed design.

1 Claim, 18 Drawing Sheets

(58) **Field of Classification Search**

CPC .. H01R 31/06; H01R 13/665; H01R 13/6581;
H01R 13/6658; H01R 9/09; H01R 9/11
See application file for complete search history.

(56) **References Cited**

U.S. PATENT DOCUMENTS

D512,381 S * 12/2005 Sirichai D13/154
D520,457 S * 5/2006 Wada D13/156

D549,662 S * 8/2007 Lee D13/154
7,482,680 B2 * 1/2009 Brewer G06K 19/005
235/457
D603,800 S * 11/2009 Zhao D13/147
D636,734 S * 4/2011 Hsieh D13/147
D675,575 S * 2/2013 Izen D13/147
D727,907 S * 4/2015 Higashi D14/433
D736,702 S * 8/2015 Ovadia D13/108
D759,021 S * 6/2016 Shim D14/435.1
D773,476 S * 12/2016 Shim D14/480.5
D864,963 S * 10/2019 Luo D14/433
2009/0197475 A1 * 8/2009 Guo H01R 24/62
439/688
2010/0144210 A1 * 6/2010 Ho H01R 27/02
439/677
2014/0329405 A1 * 11/2014 Hsieh H05K 1/0209
439/485

OTHER PUBLICATIONS

USB Cable, dated Apr. 15, 2013, [online], [site visited Mar. 5, 2020]. Available from Internet, URL: https://www.cdw.com/product/SanDisk-Cruzer-Blade-USB-flash-drive-64-GB/3468542?cm_cat=google&cm_ite=3468542&cm_pla=NA-NA-SanDisk_DR&cm_ven=acquirgy&ef_id=EAlalQobChMlse3g1YqE6AlVDD0MCh26wwlzeAQYBiABEgl9t_D_BwE:G:s&gclid.*
USB-C, dated 2020, [online], [site visited Mar. 6, 2020], Available from Internet, URL: https://odemobile.com/products/pd-usb-cable-10ft-usb-c-to-iphone-charger-power-cord.*

* cited by examiner

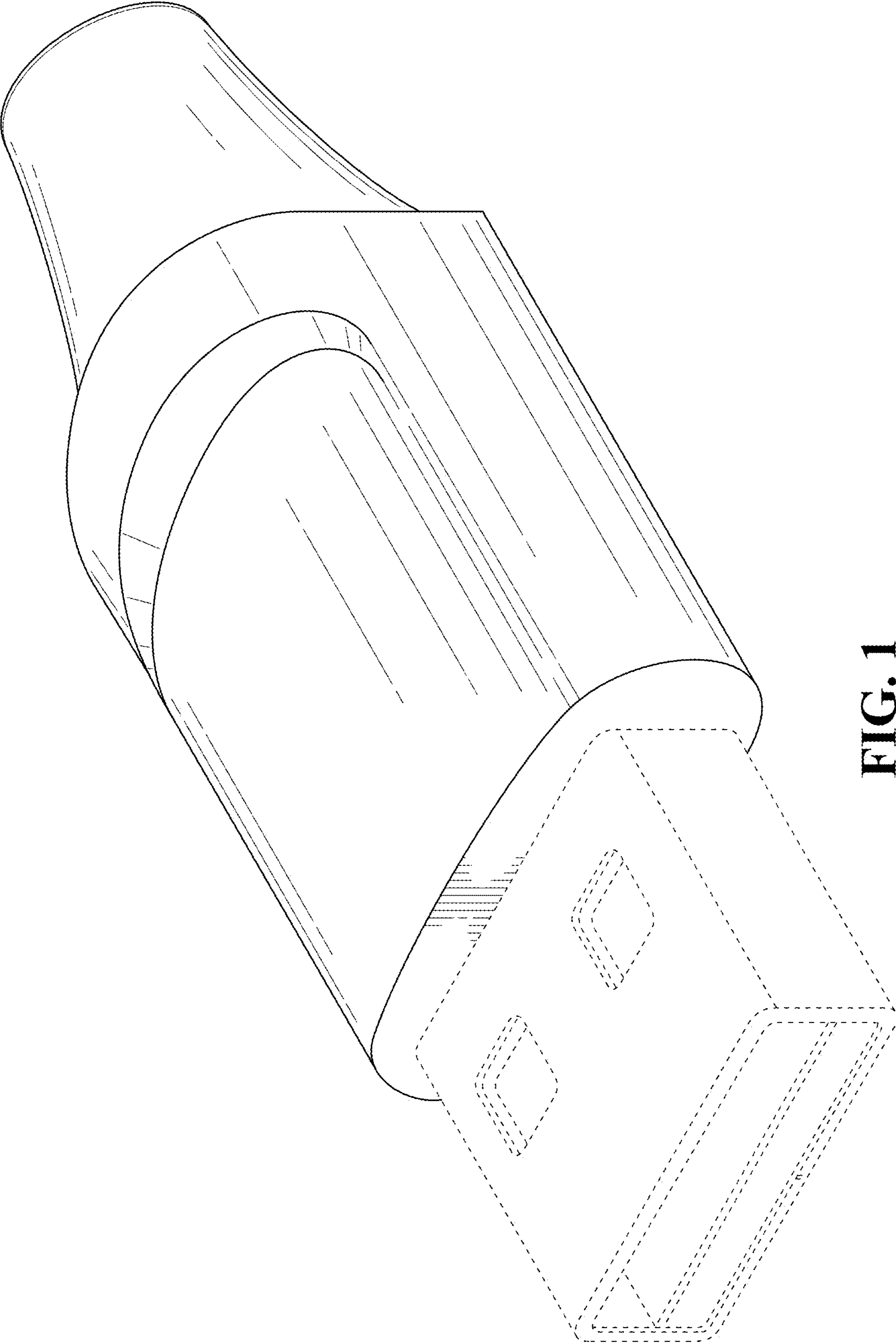


FIG. 1

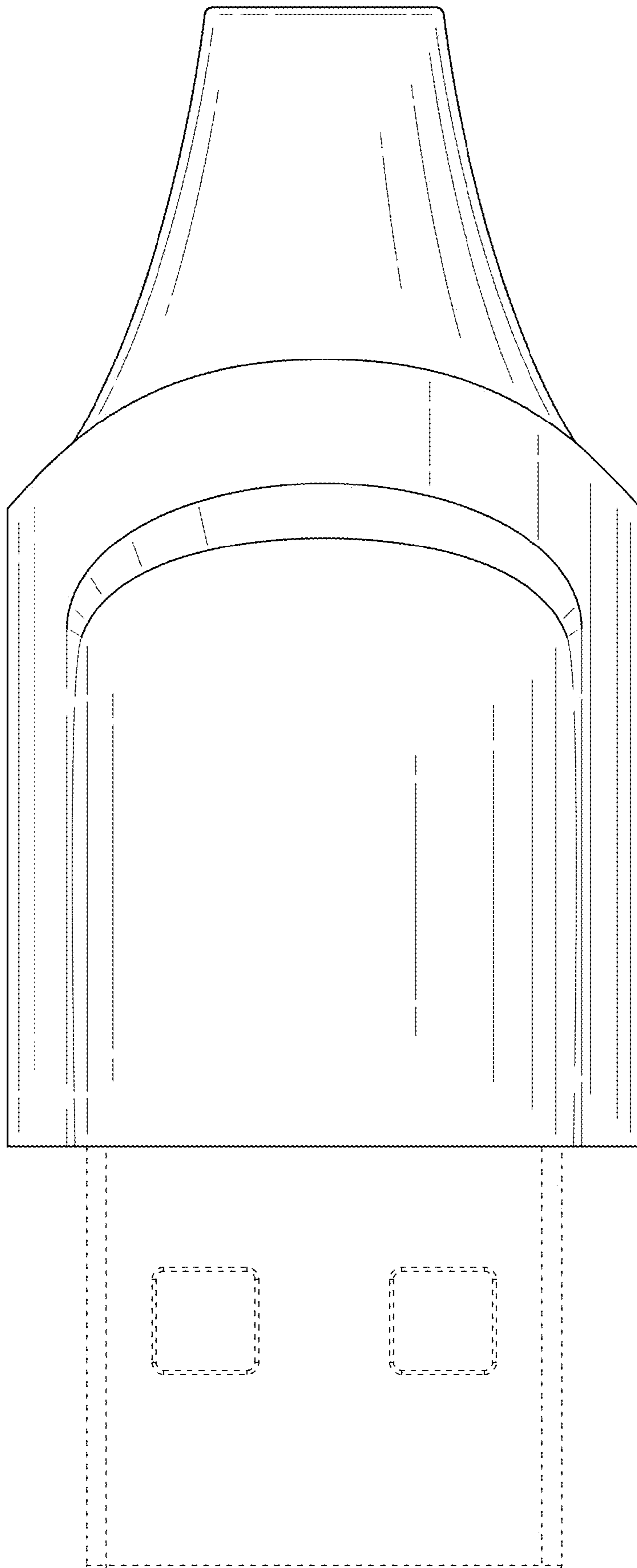


FIG. 2

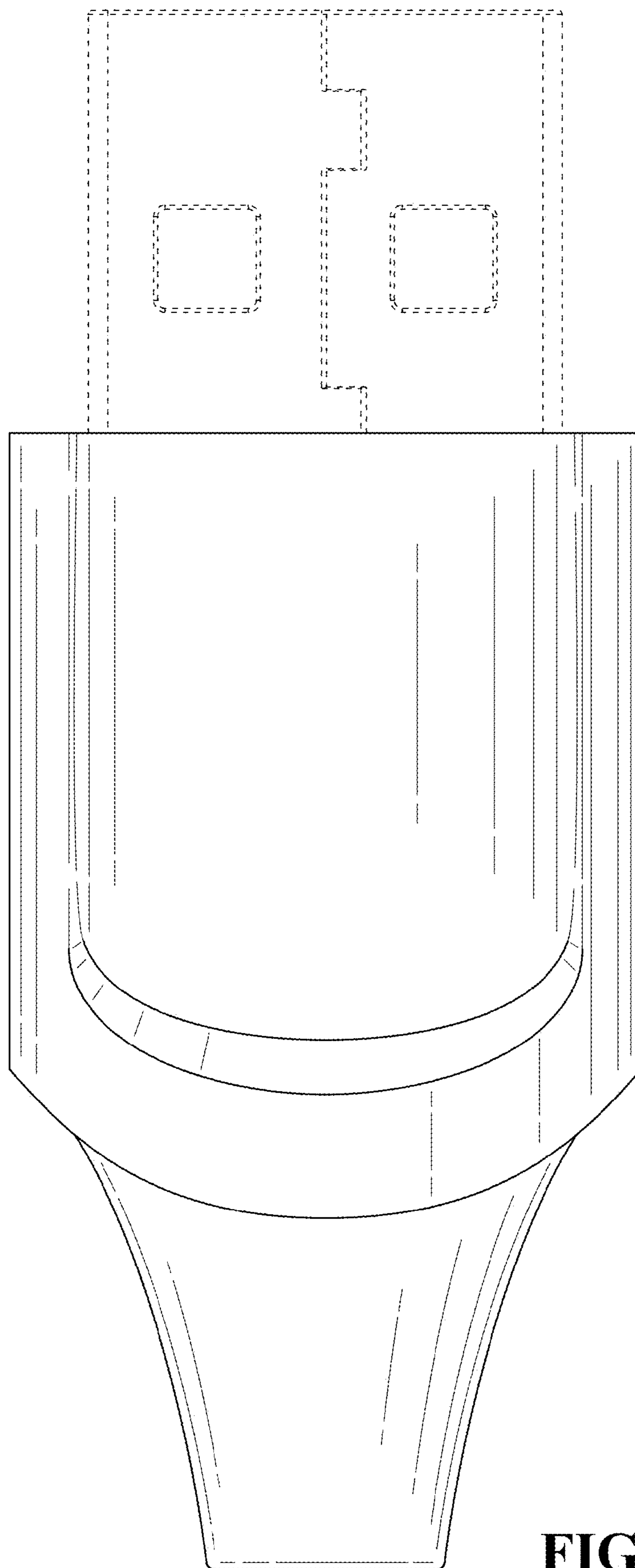


FIG. 3

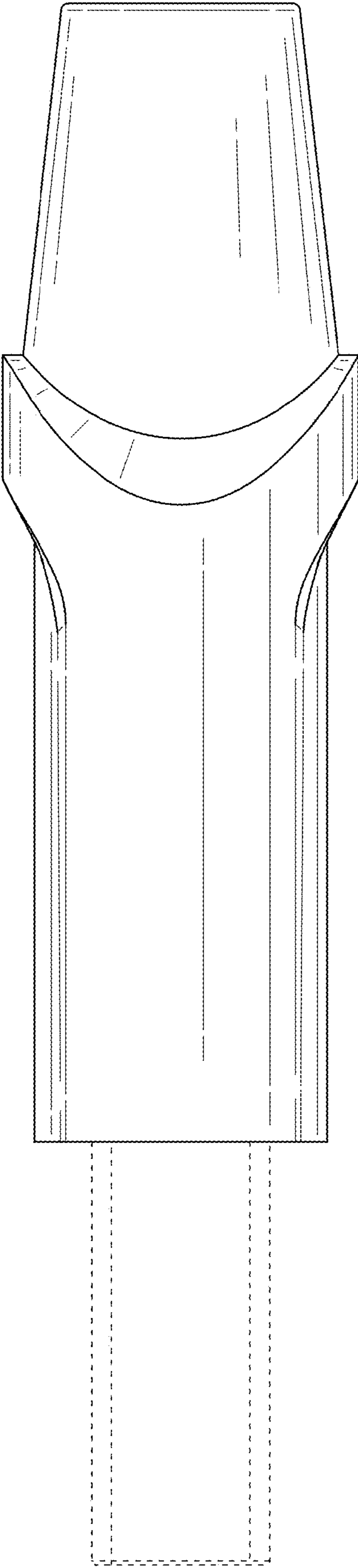


FIG. 4

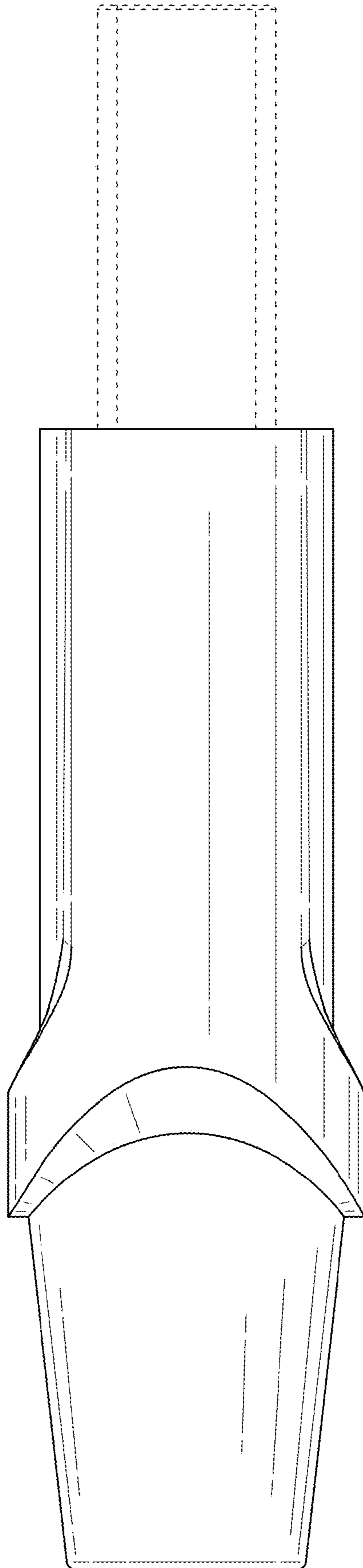


FIG. 5

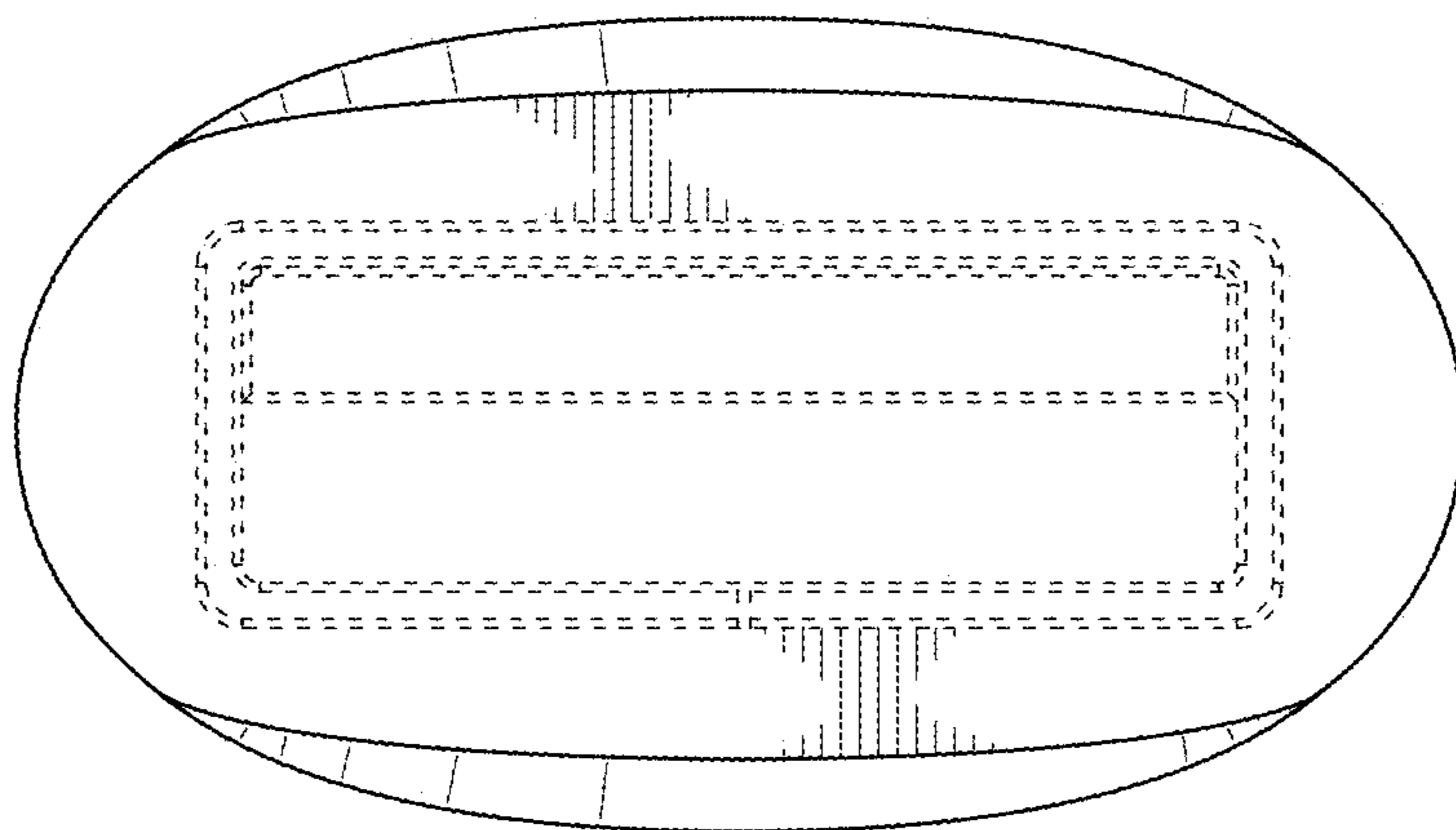


FIG. 6

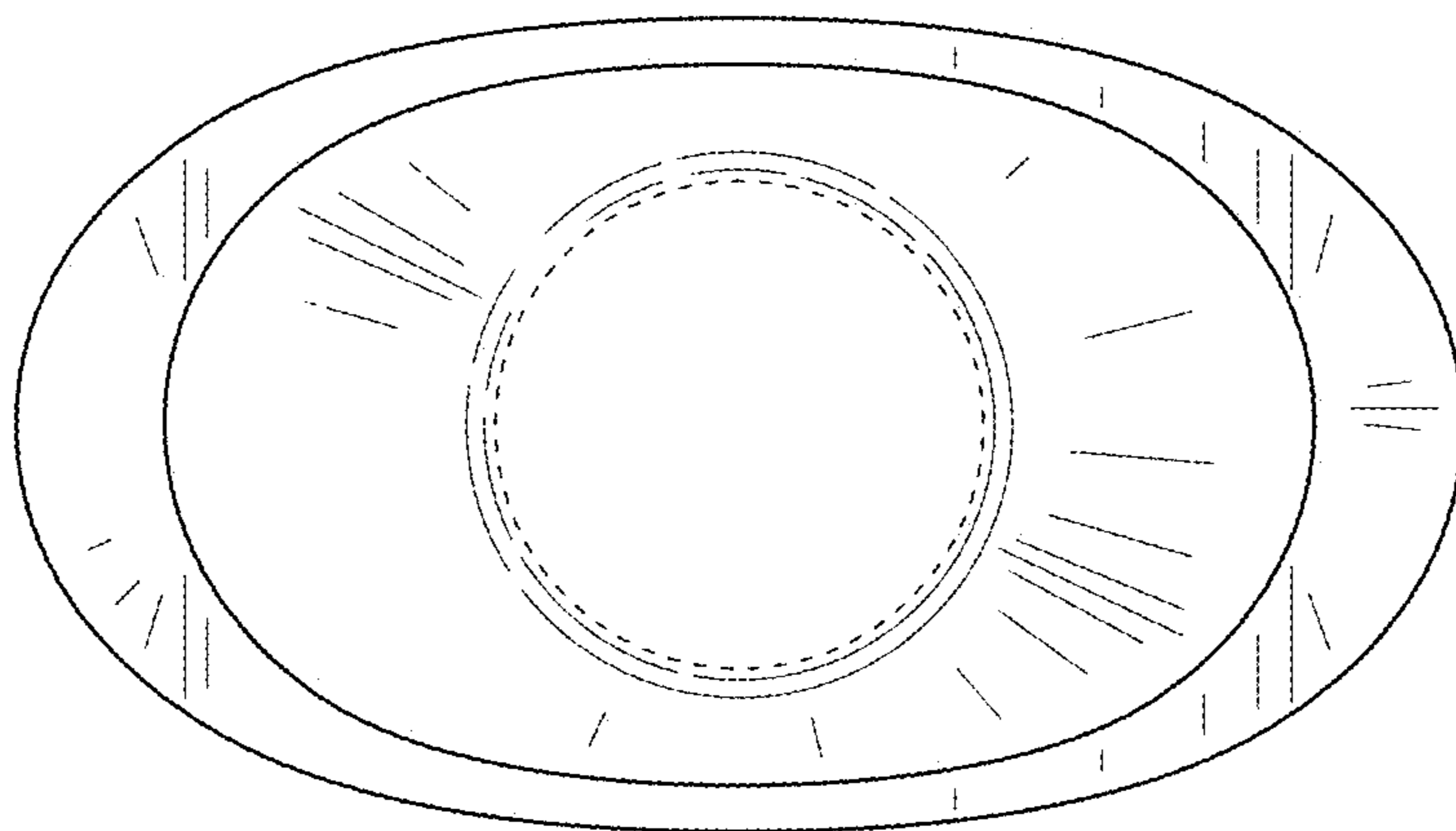


FIG. 7

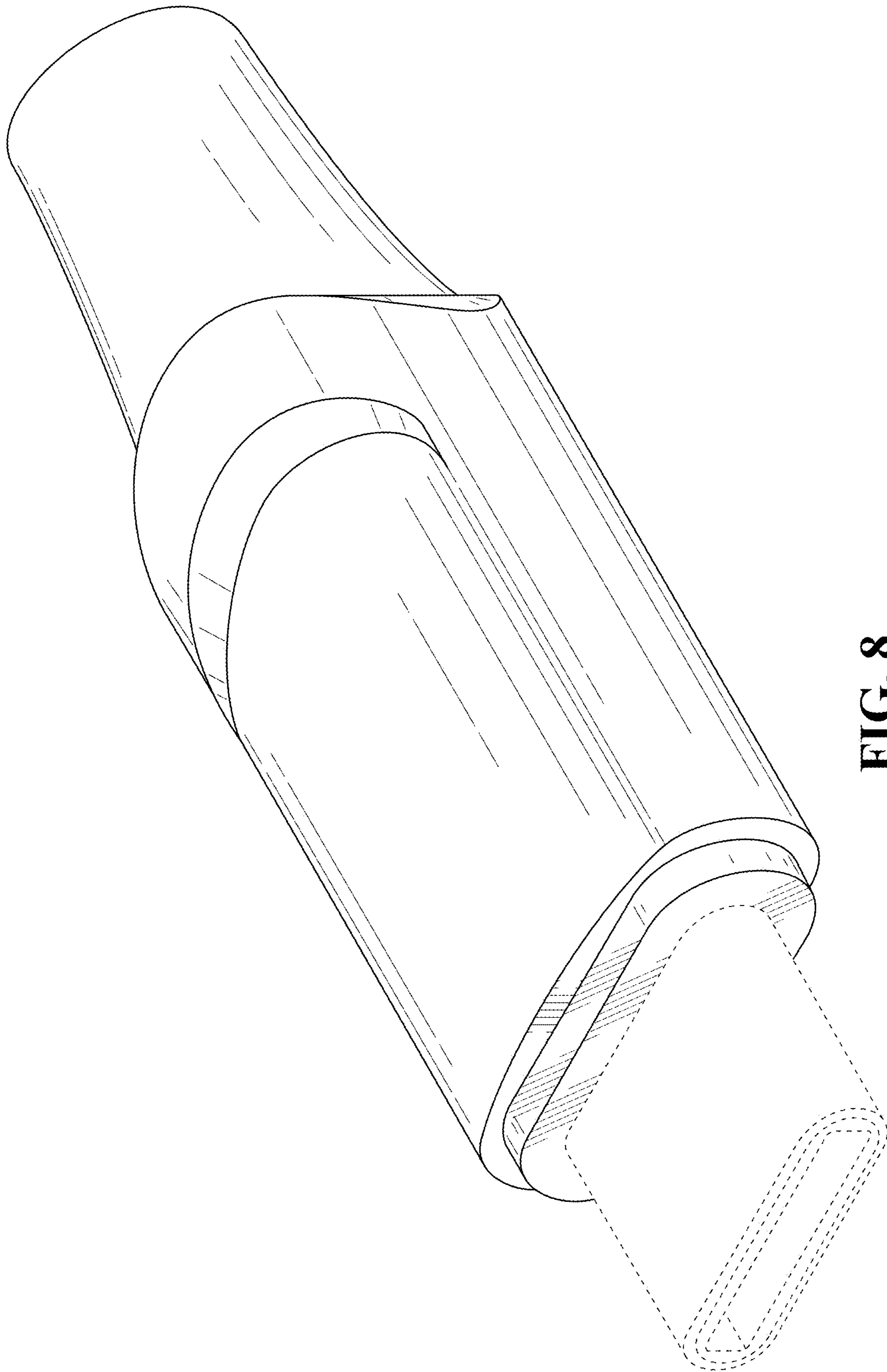


FIG. 8

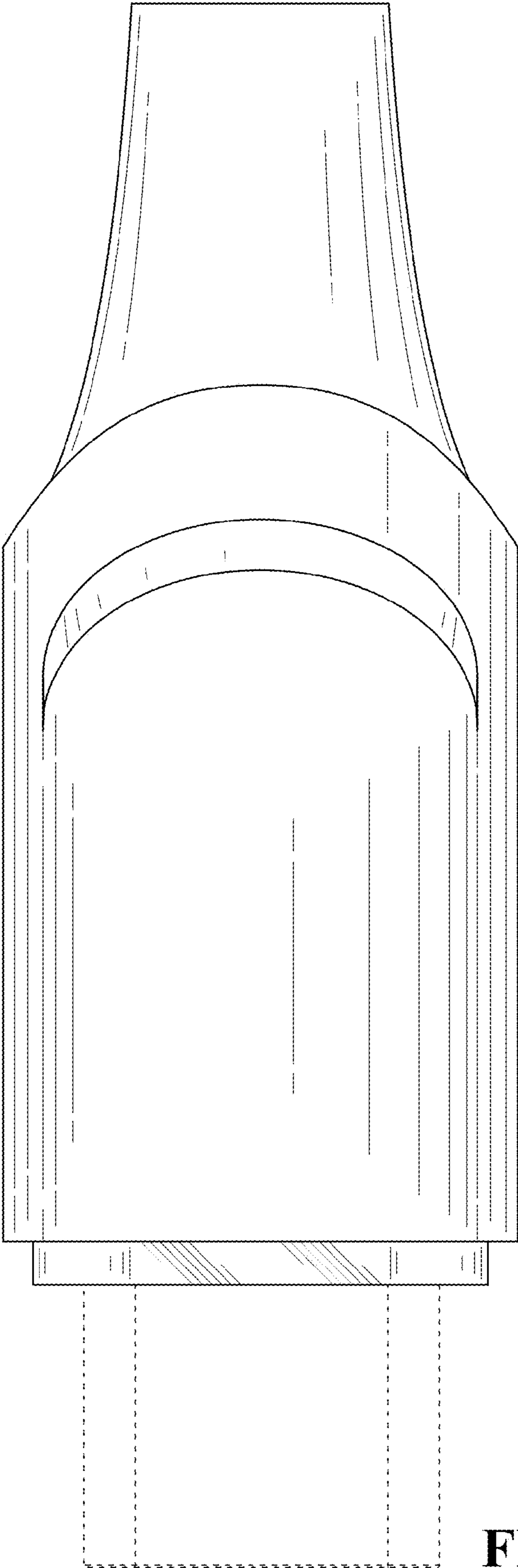


FIG. 9

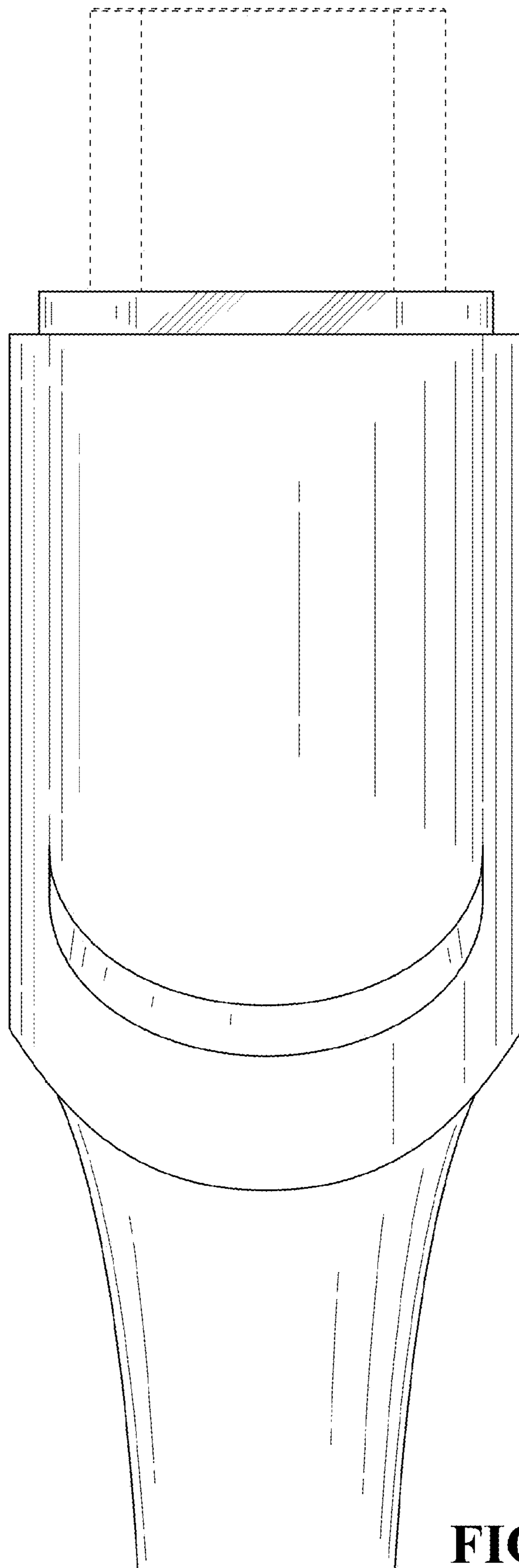


FIG. 10

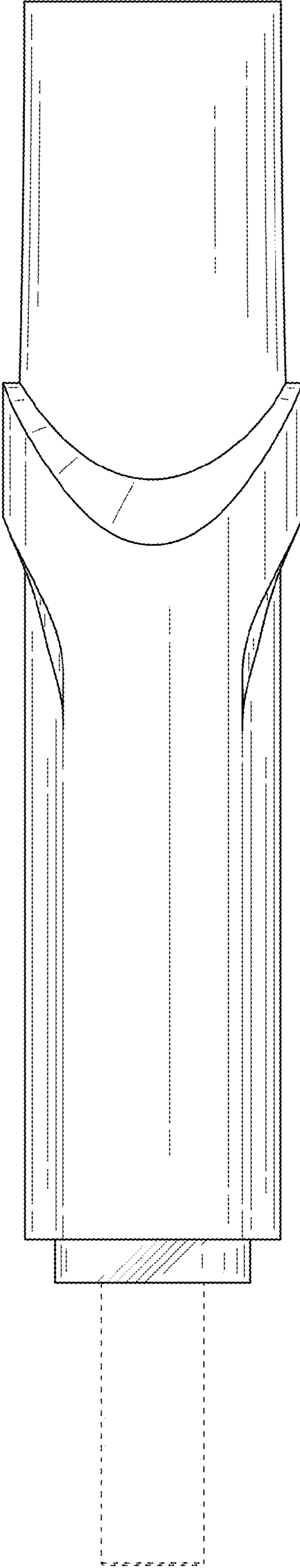


FIG. 11

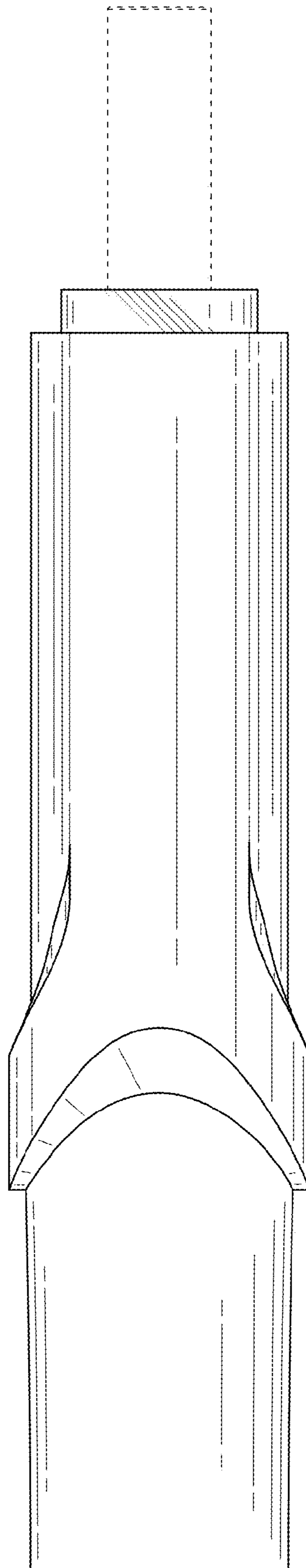


FIG. 12

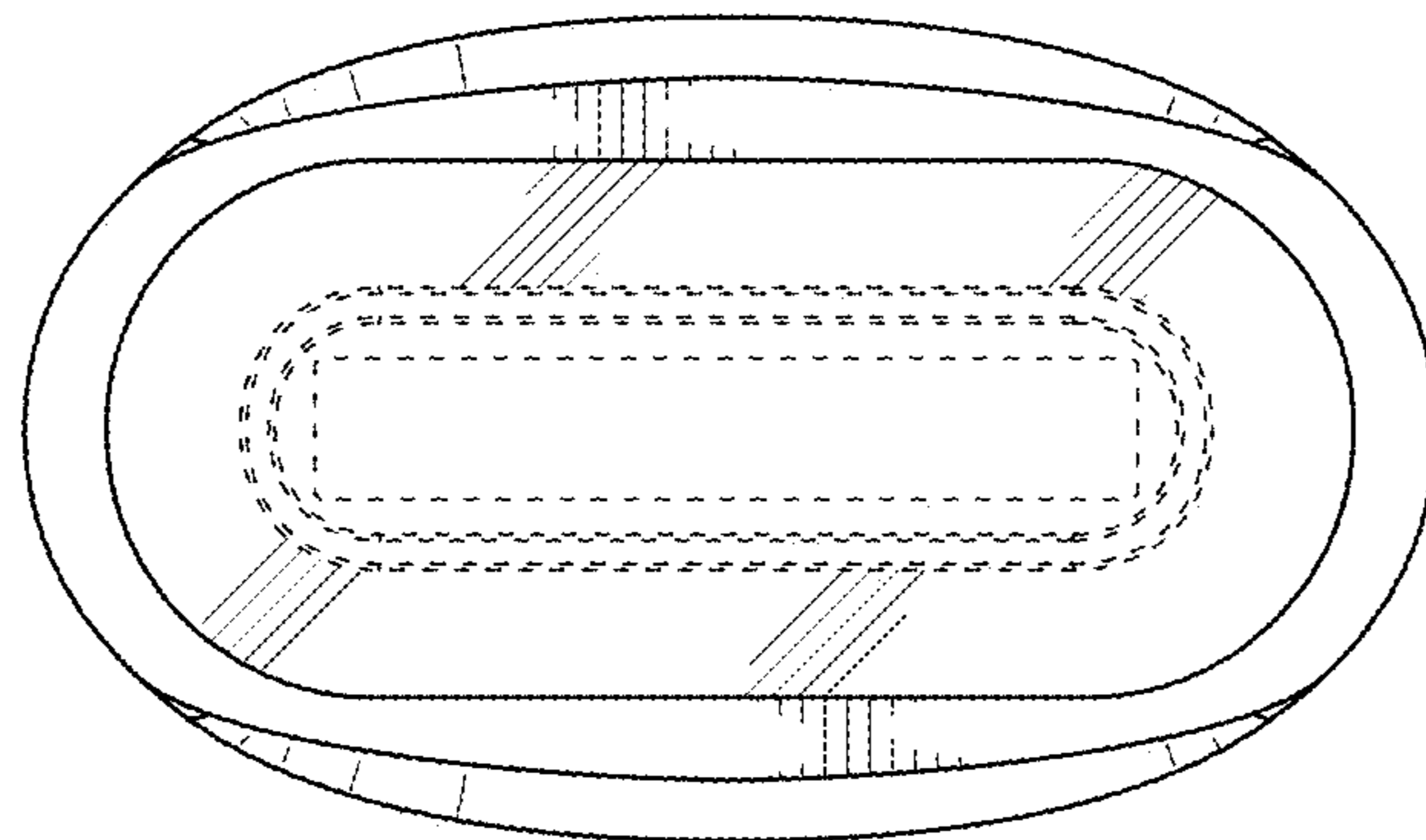


FIG. 13

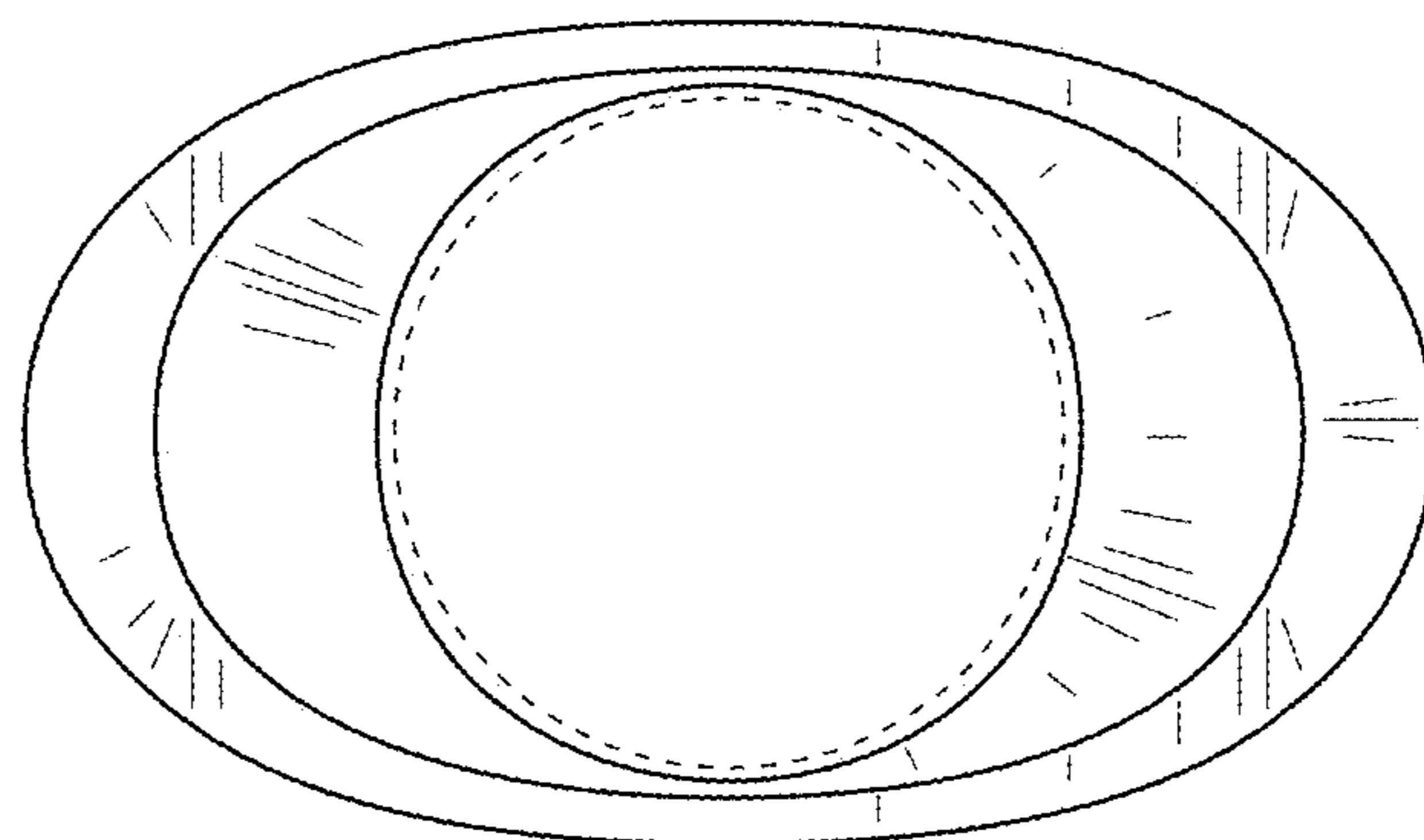


FIG. 14

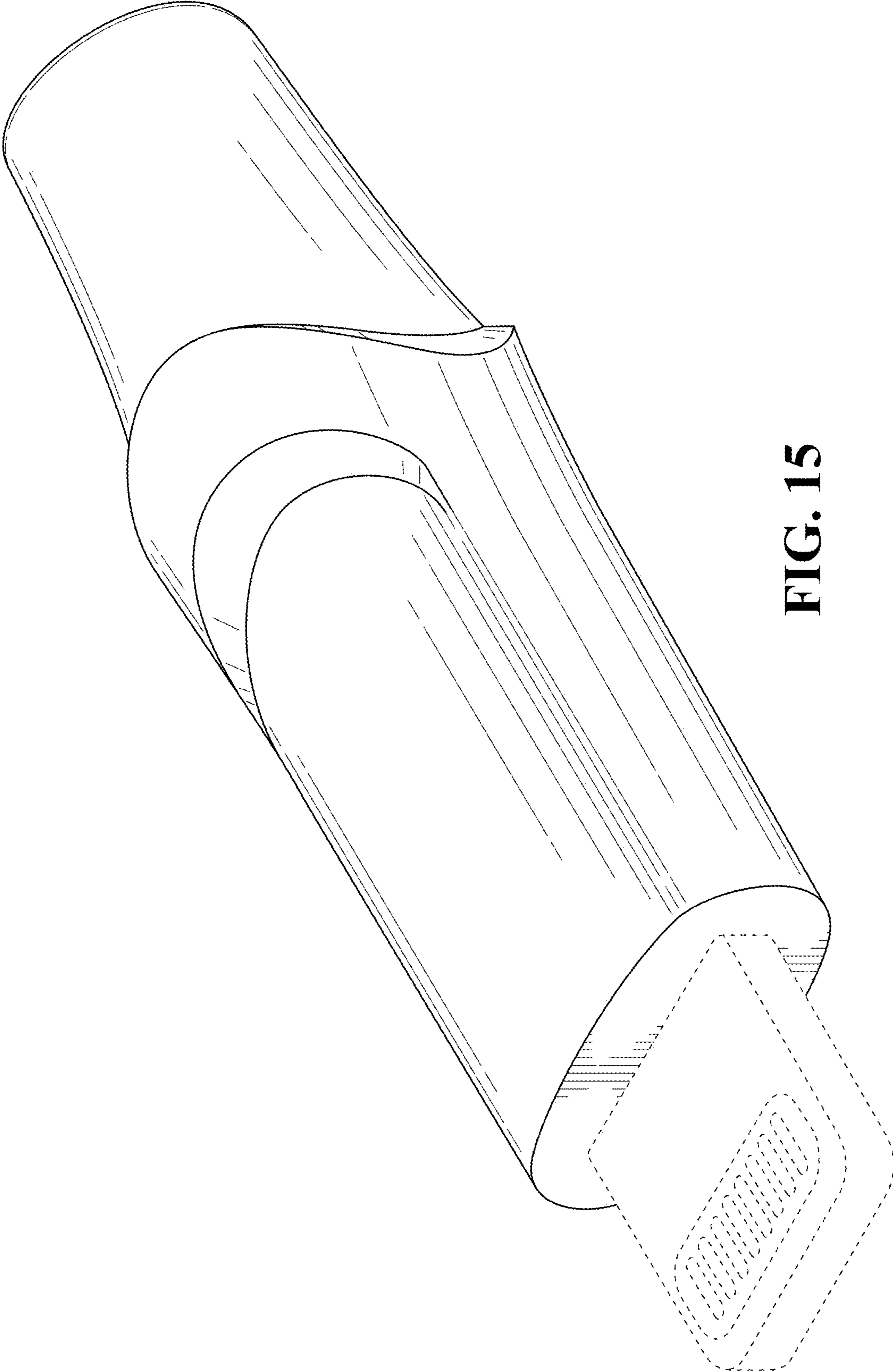


FIG. 15

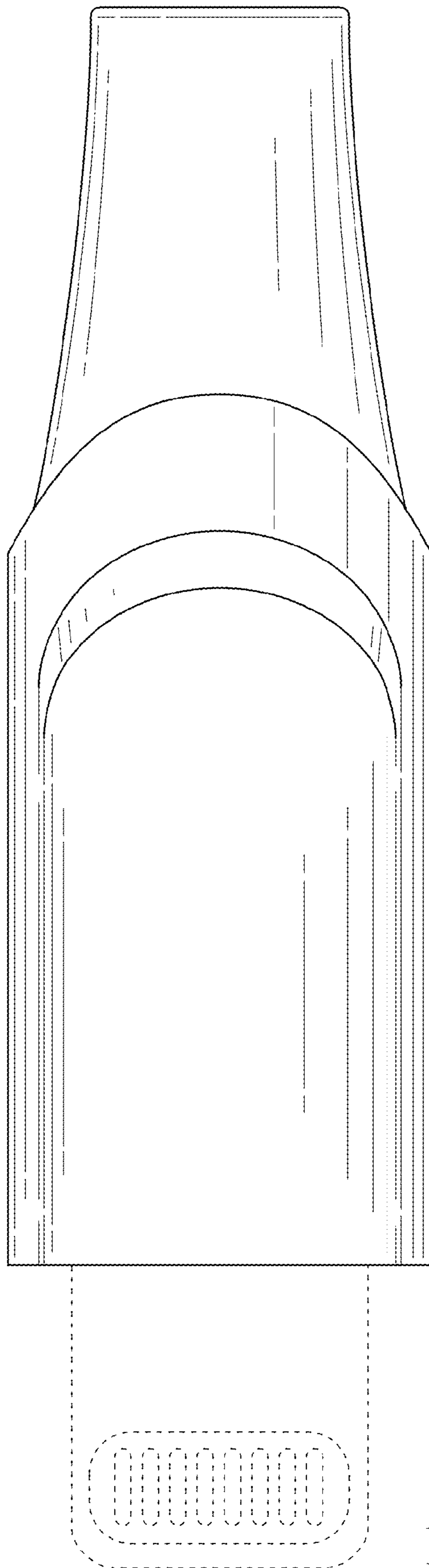


FIG. 16

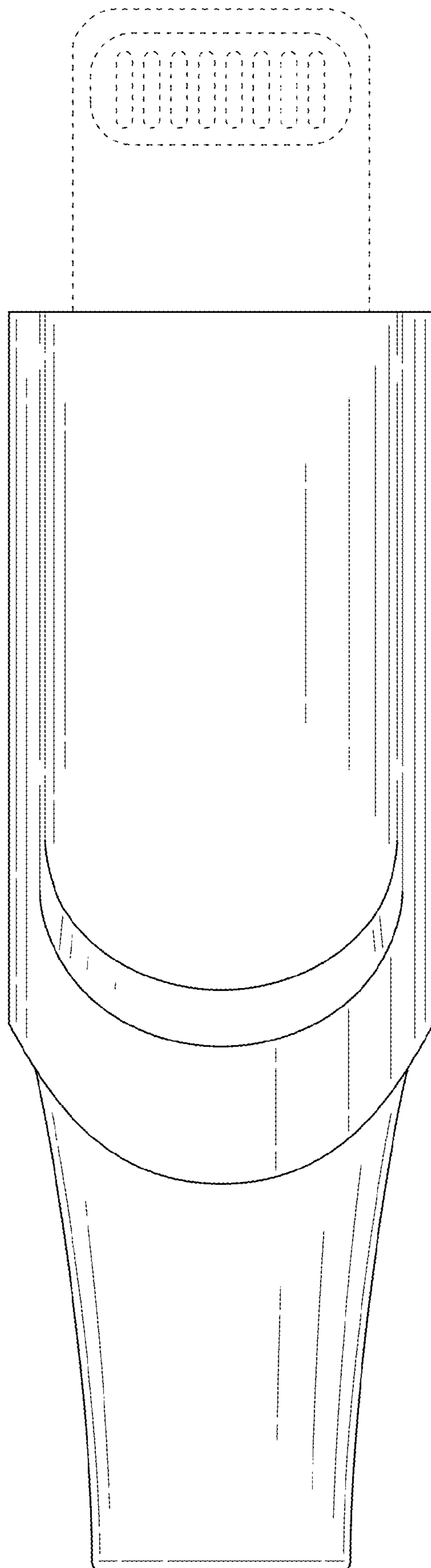


FIG. 17

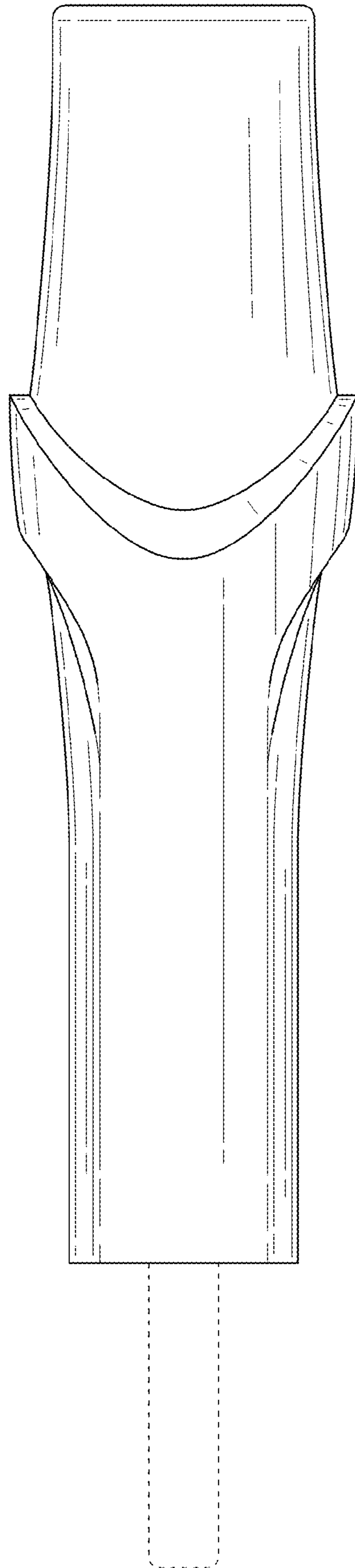


FIG. 18

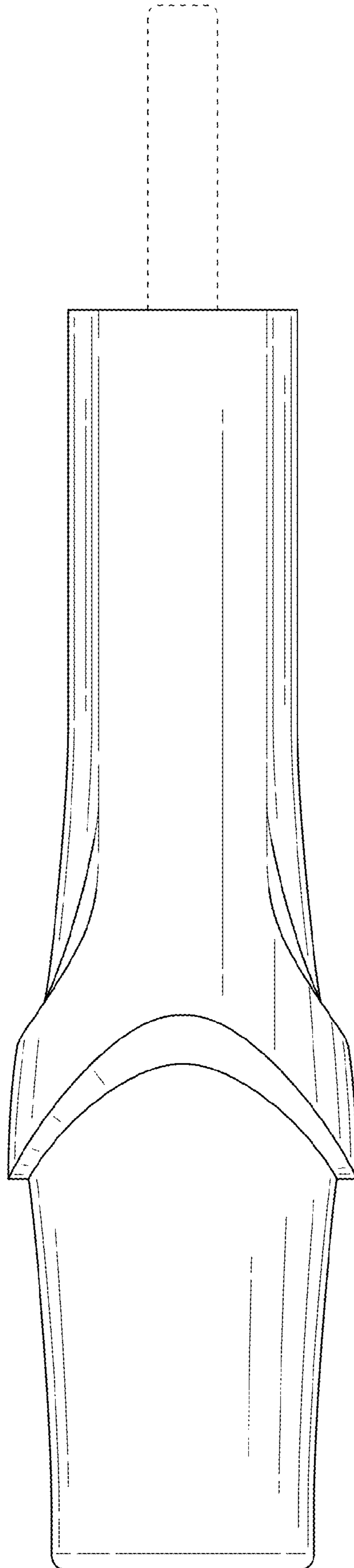


FIG. 19

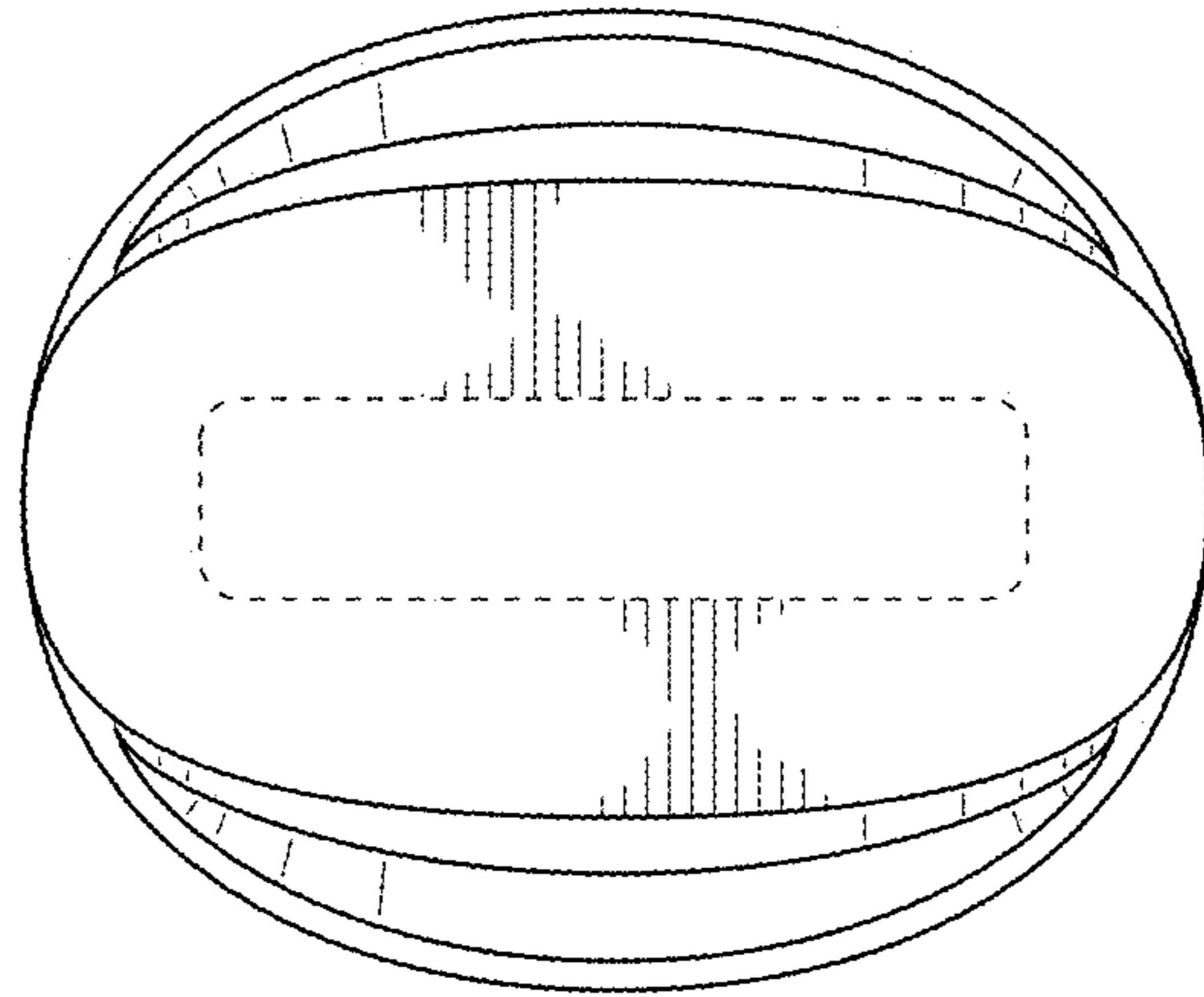


FIG. 20

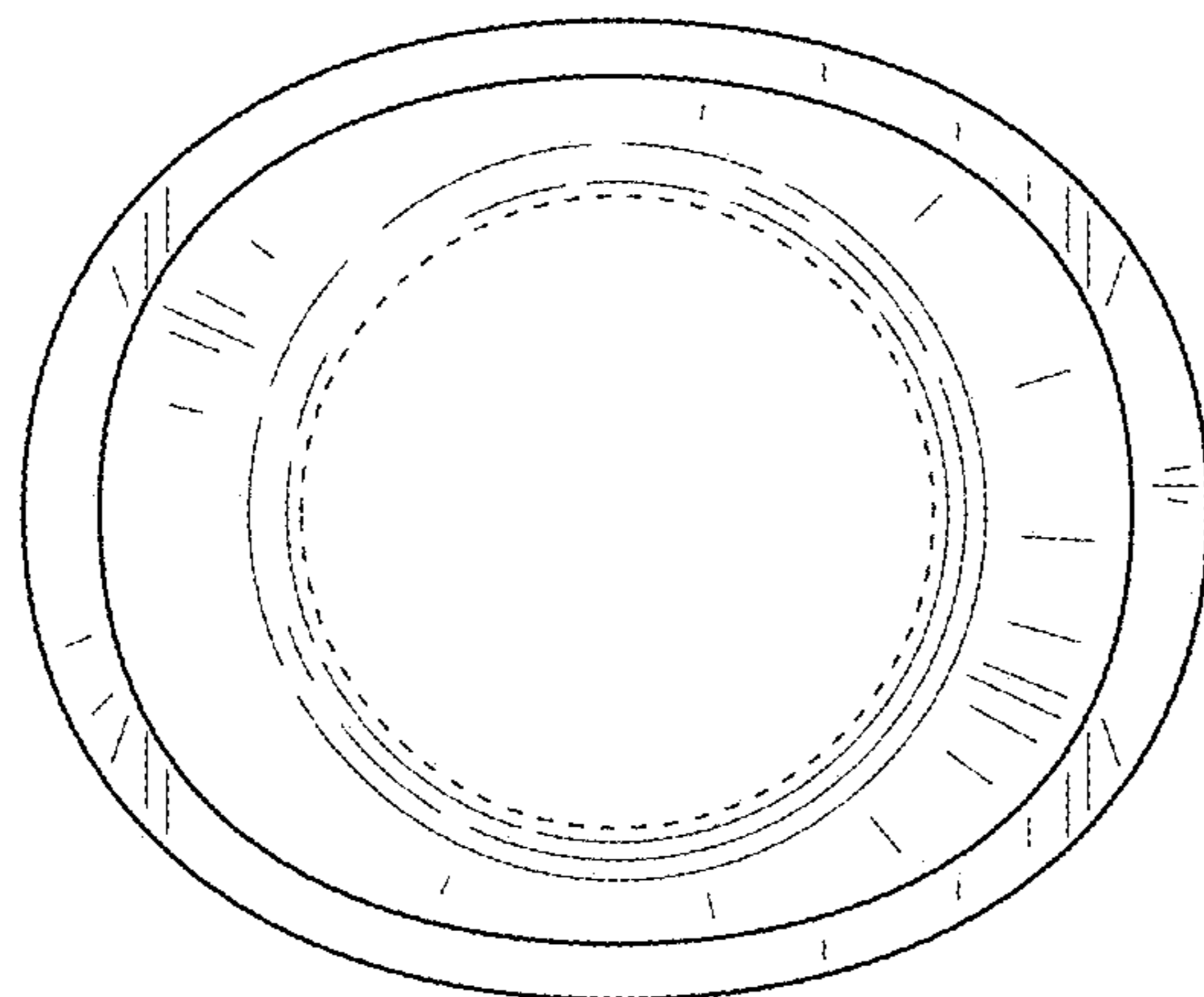


FIG. 21