



US00D883211S

(12) **United States Design Patent**
Kajiyama et al.

(10) **Patent No.:** **US D883,211 S**

(45) **Date of Patent:** **** May 5, 2020**

(54) **POWER TRANSMISSION COUPLING**

7,601,023 B1 * 10/2009 Ma H01R 31/06
439/518

(71) Applicant: **Miki Pulley Co., Ltd.**, Kawasaki-shi,
Kanagawa (JP)

7,632,137 B1 * 12/2009 Ma H01R 31/06
439/518

(72) Inventors: **Junpei Kajiyama**, Ayase (JP); **Satoshi Kinoshita**, Ebina (JP); **Takayuki Satomi**, Ayase (JP); **Masaharu Hirose**, Yamato (JP)

D630,835 S * 1/2011 Easley D3/203.1
D649,346 S * 11/2011 Davidson D3/215
8,313,335 B2 * 11/2012 Wu H01R 13/502
439/172

(73) Assignee: **Miki Pulley Co., Ltd.**, Kanagawa (JP)

D675,012 S * 1/2013 Votel D3/215
D675,013 S * 1/2013 Votel D3/215
D697,304 S * 1/2014 Westfall D3/215
D707,957 S * 7/2014 Oas D3/215
D765,975 S * 9/2016 Hoofnagle D3/215
D807,825 S * 1/2018 Miller D13/133
D807,826 S * 1/2018 Miller D13/133
D809,456 S * 2/2018 Miller D13/110

(**) Term: **15 Years**

(21) Appl. No.: **29/643,200**

(22) Filed: **Apr. 5, 2018**

* cited by examiner

(30) **Foreign Application Priority Data**

Primary Examiner — Susan Bennett Hattan

Assistant Examiner — Suzanne E Tisdell

Oct. 10, 2017 (JP) 2017-022388

(74) *Attorney, Agent, or Firm* — Dority & Manning, P.A.

(51) **LOC (12) Cl.** **13-02**

(52) **U.S. Cl.**
USPC **D13/114**

(57) **CLAIM**

The ornamental design for a power transmission coupling, as shown and described.

(58) **Field of Classification Search**

USPC D3/215, 218; D13/107, 108, 109, 110,
D13/118, 119, 123, 133, 134, 184;
D14/253, 432, 434

DESCRIPTION

CPC H01R 13/24; H01R 13/72; H01R 13/5221;
H01R 13/5816; H01R 13/582; H01R
13/5825; H01R 13/5829; H01R 13/5833;
H01R 13/6275; H01R 13/6589; H01R
13/743; H01R 13/745; H01R 31/065;
H01R 31/06

See application file for complete search history.

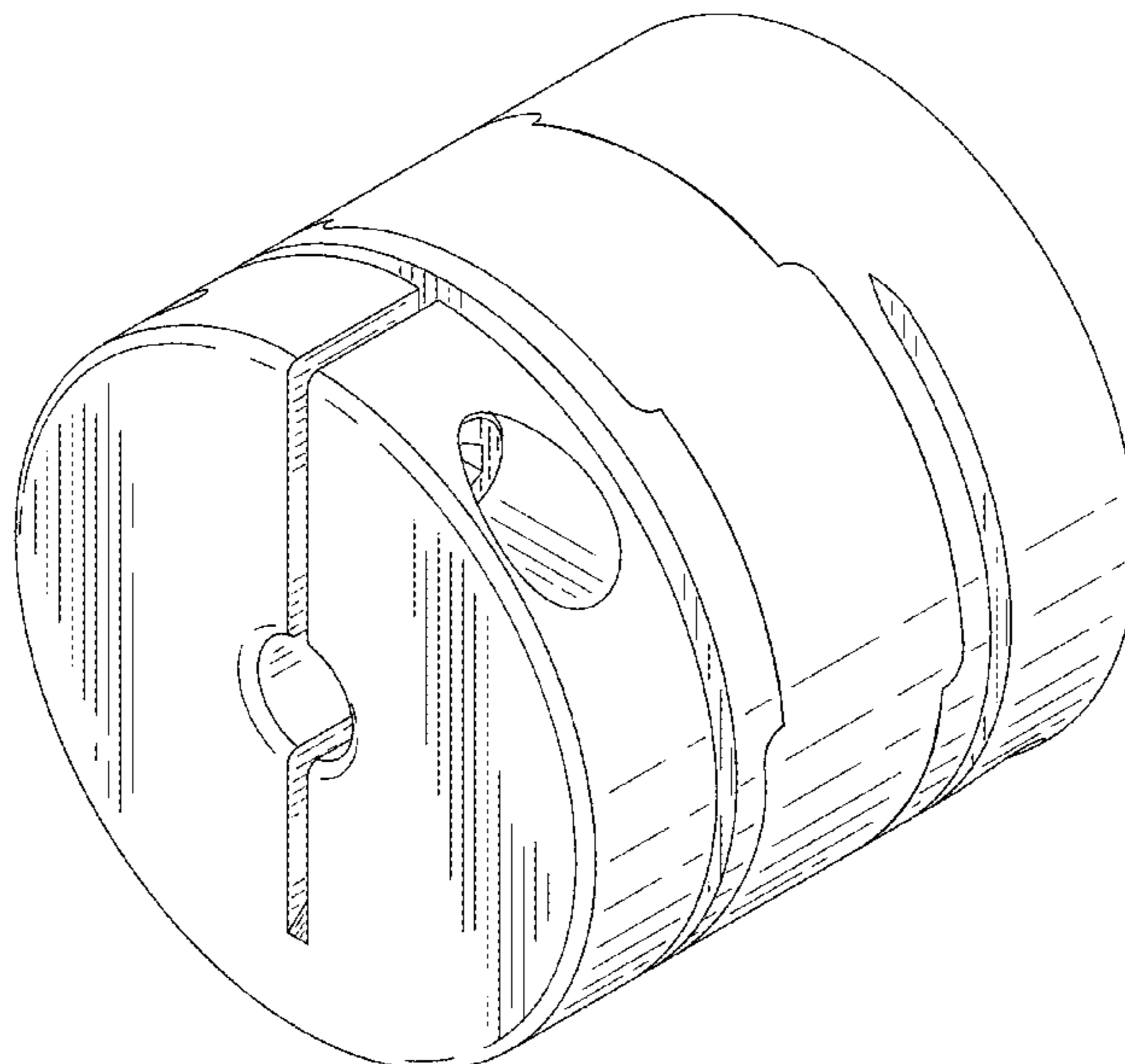
FIG. 1 is a front perspective view of a power transmission coupling;
FIG. 2 is a front view thereof;
FIG. 3 is a back view thereof;
FIG. 4 is a left side view thereof;
FIG. 5 is a right side view thereof;
FIG. 6 is a top view thereof;
FIG. 7 is a bottom view thereof;
FIG. 8 is a cross-sectional view thereof taken along the line 8-8 in FIG. 6; and,
FIG. 9 is a cross-sectional view thereof taken along the line 9-9 in FIG. 4.

(56) **References Cited**

U.S. PATENT DOCUMENTS

D433,994 S * 11/2000 Jobs D13/110
7,510,446 B1 * 3/2009 Yu H01R 13/72
439/501

1 Claim, 9 Drawing Sheets



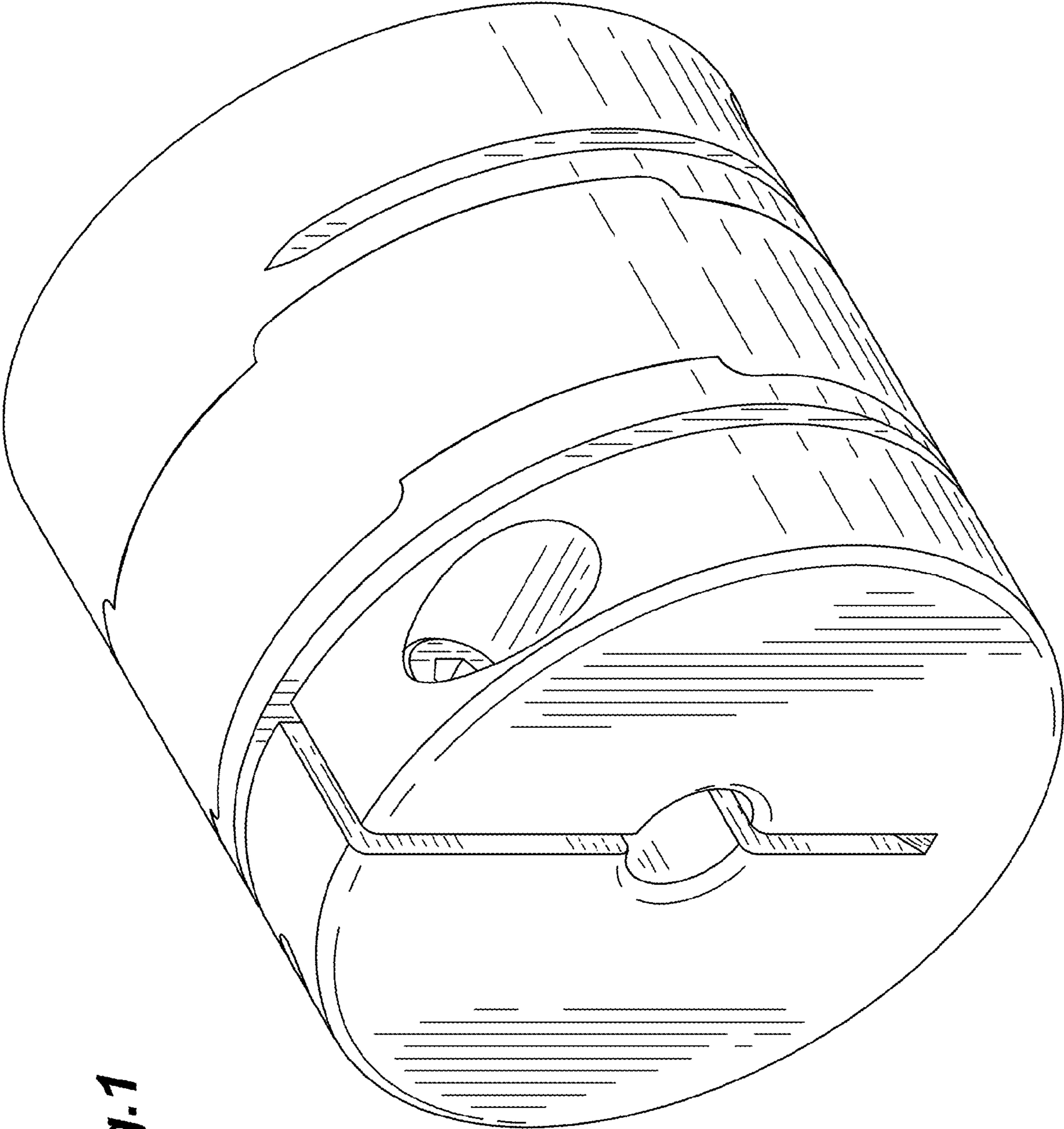


Fig.1

Fig. 2

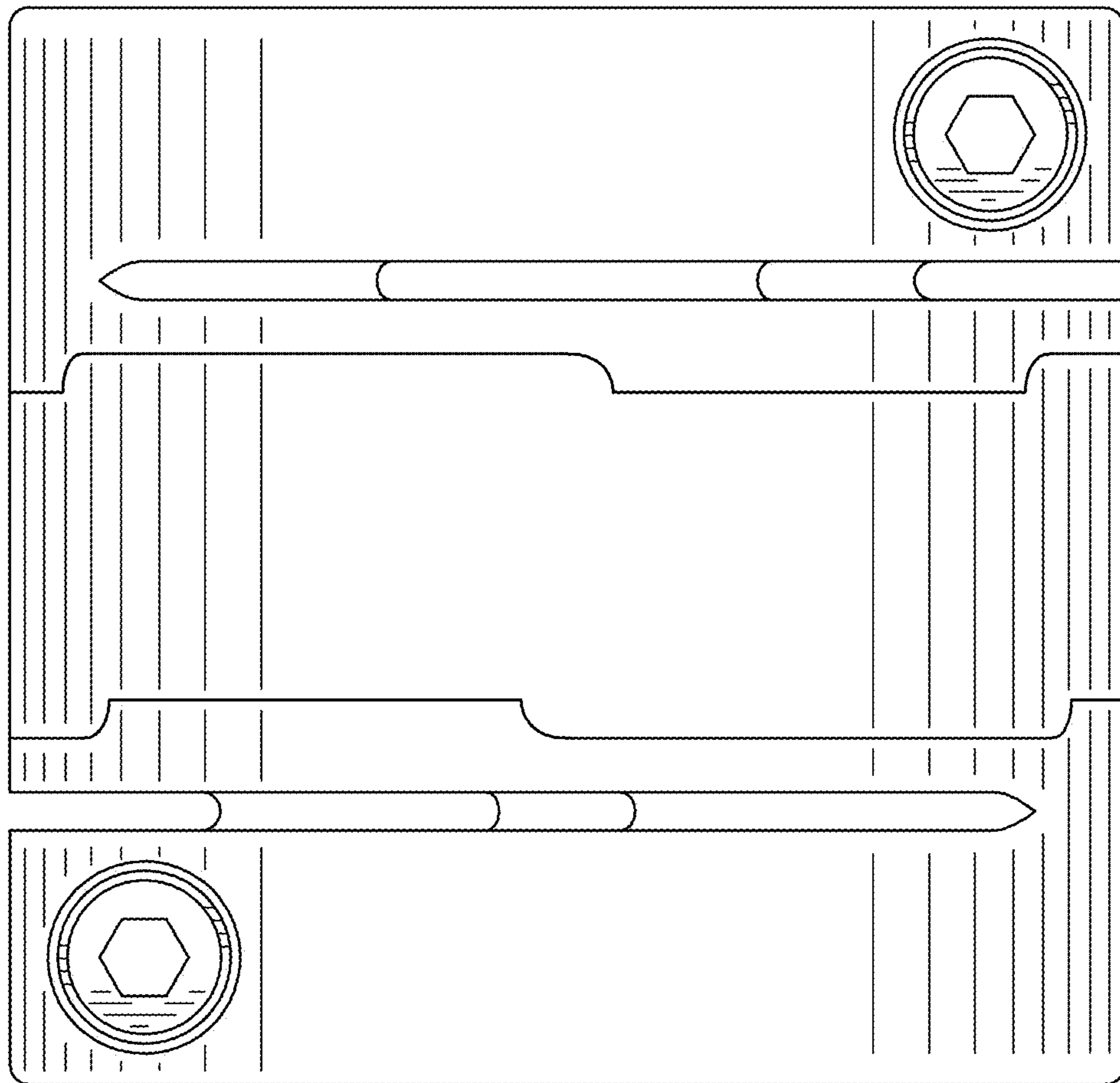


Fig. 3

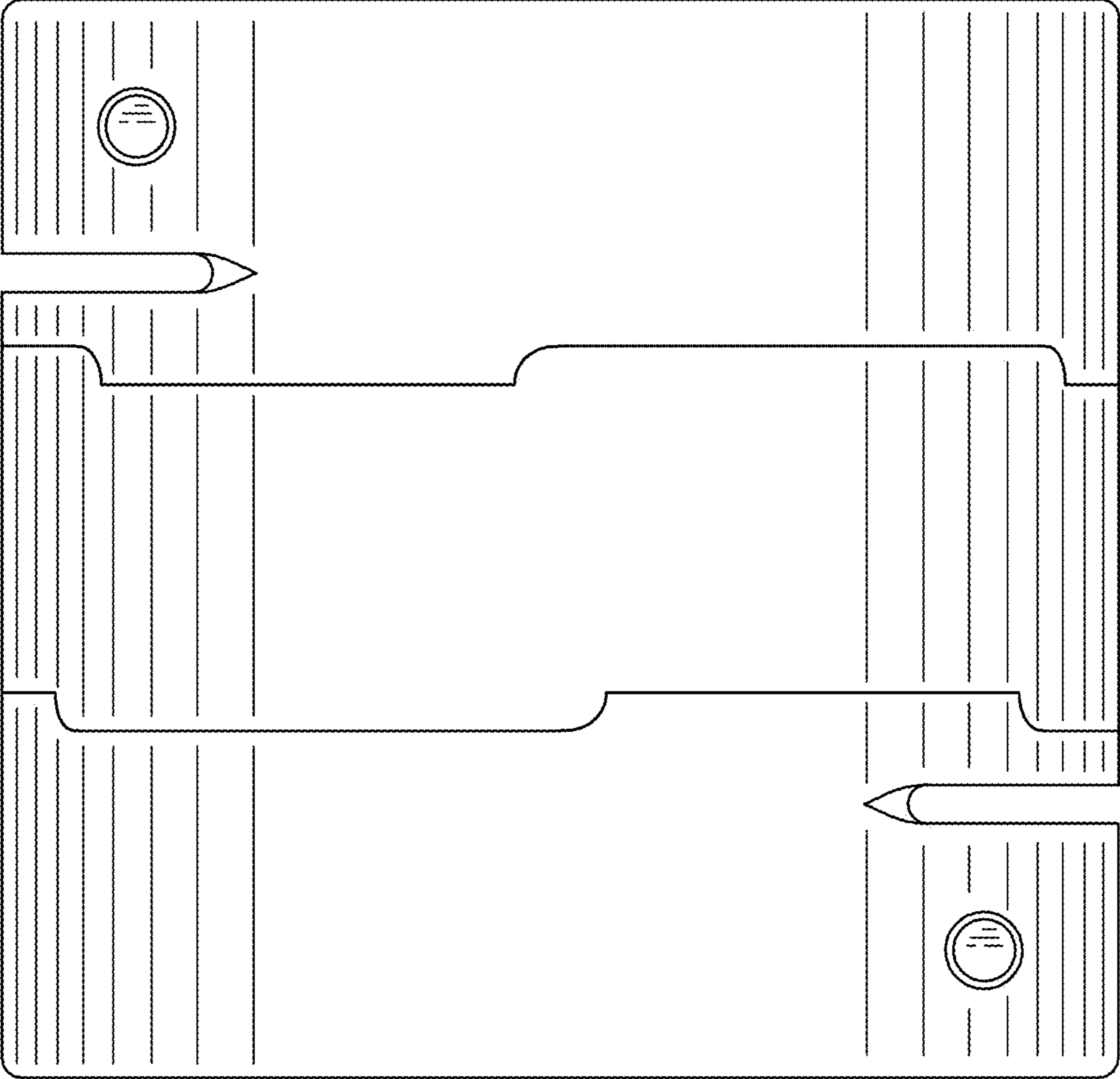


Fig.4

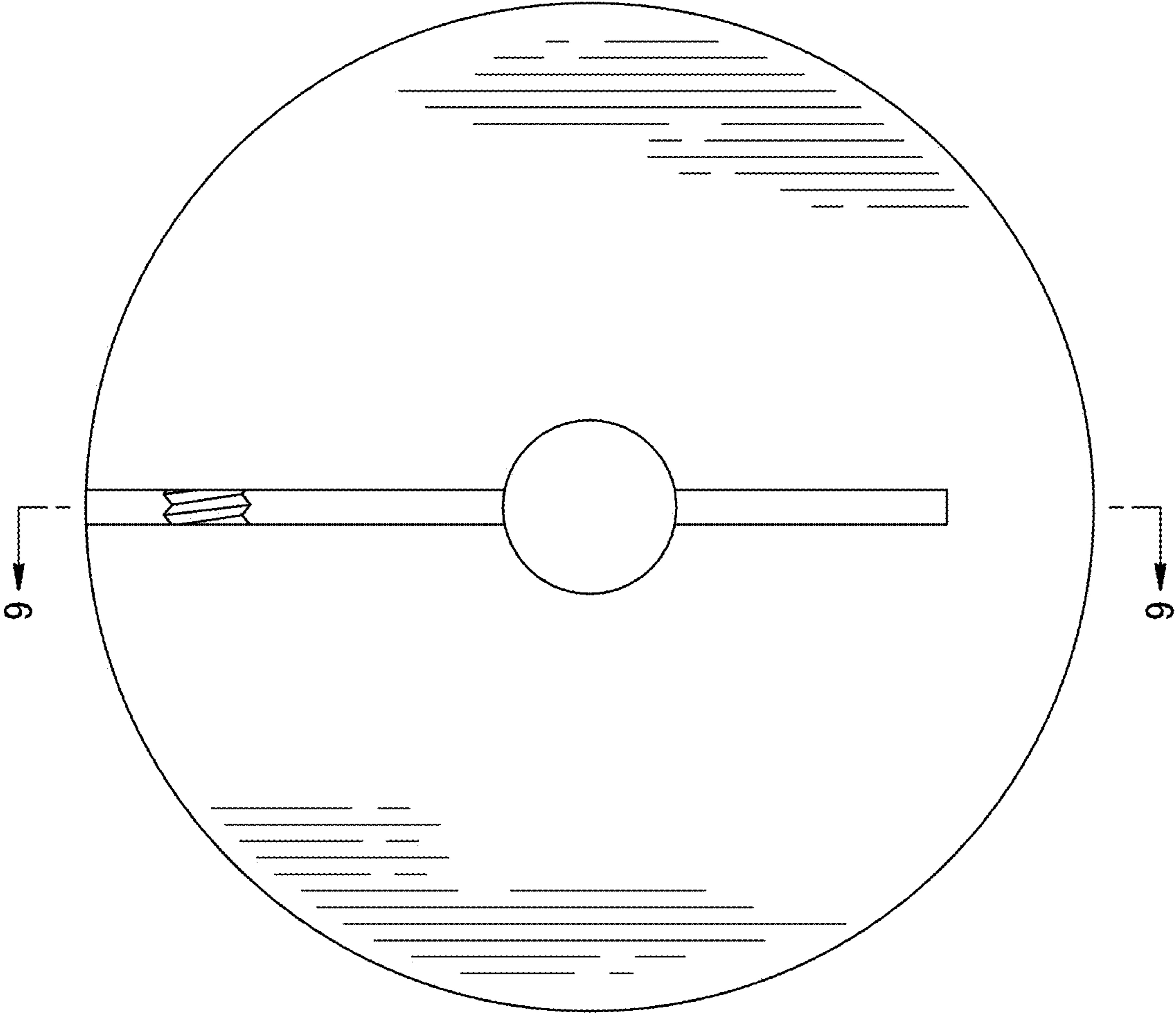


Fig.5

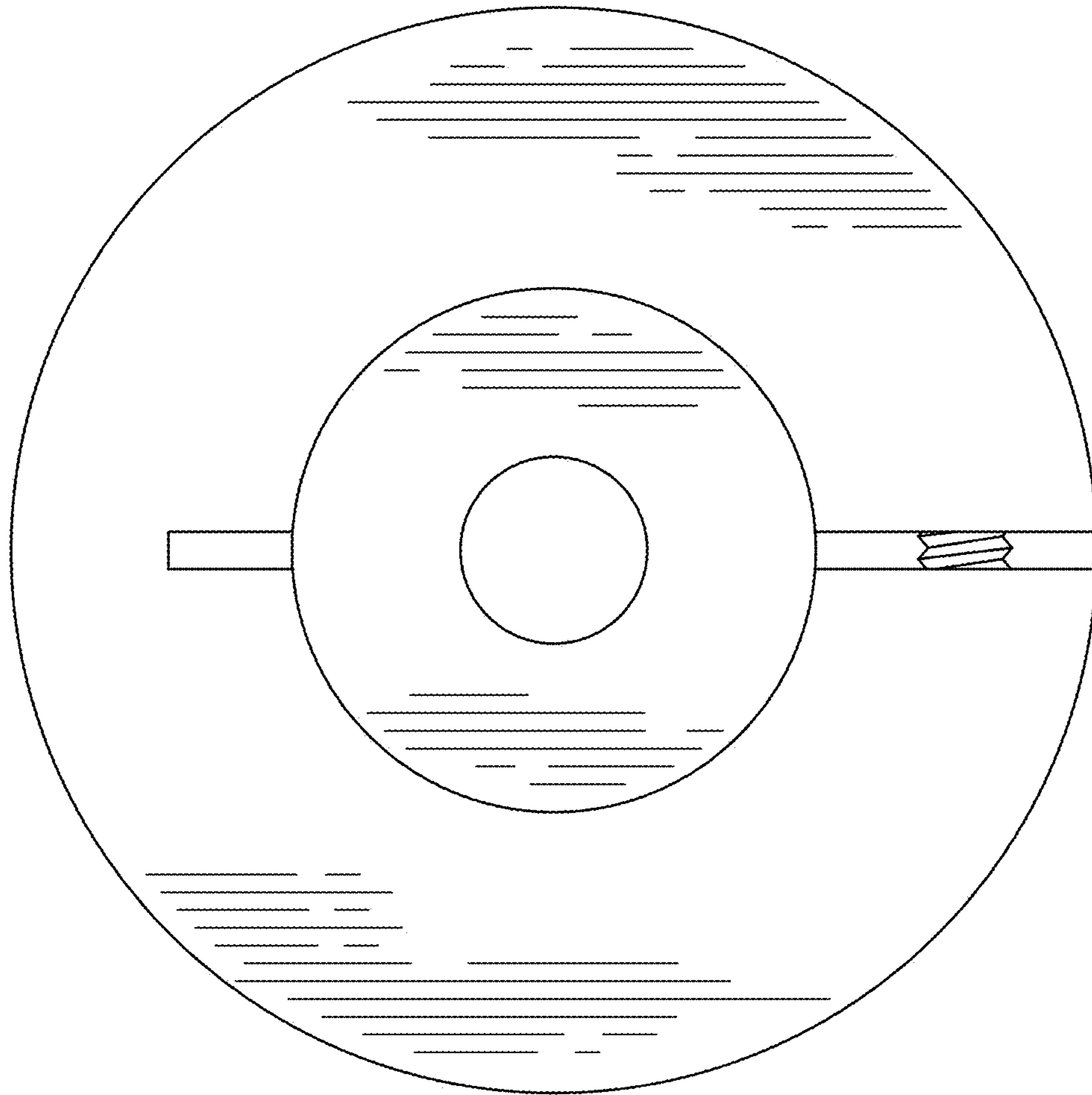


Fig. 6

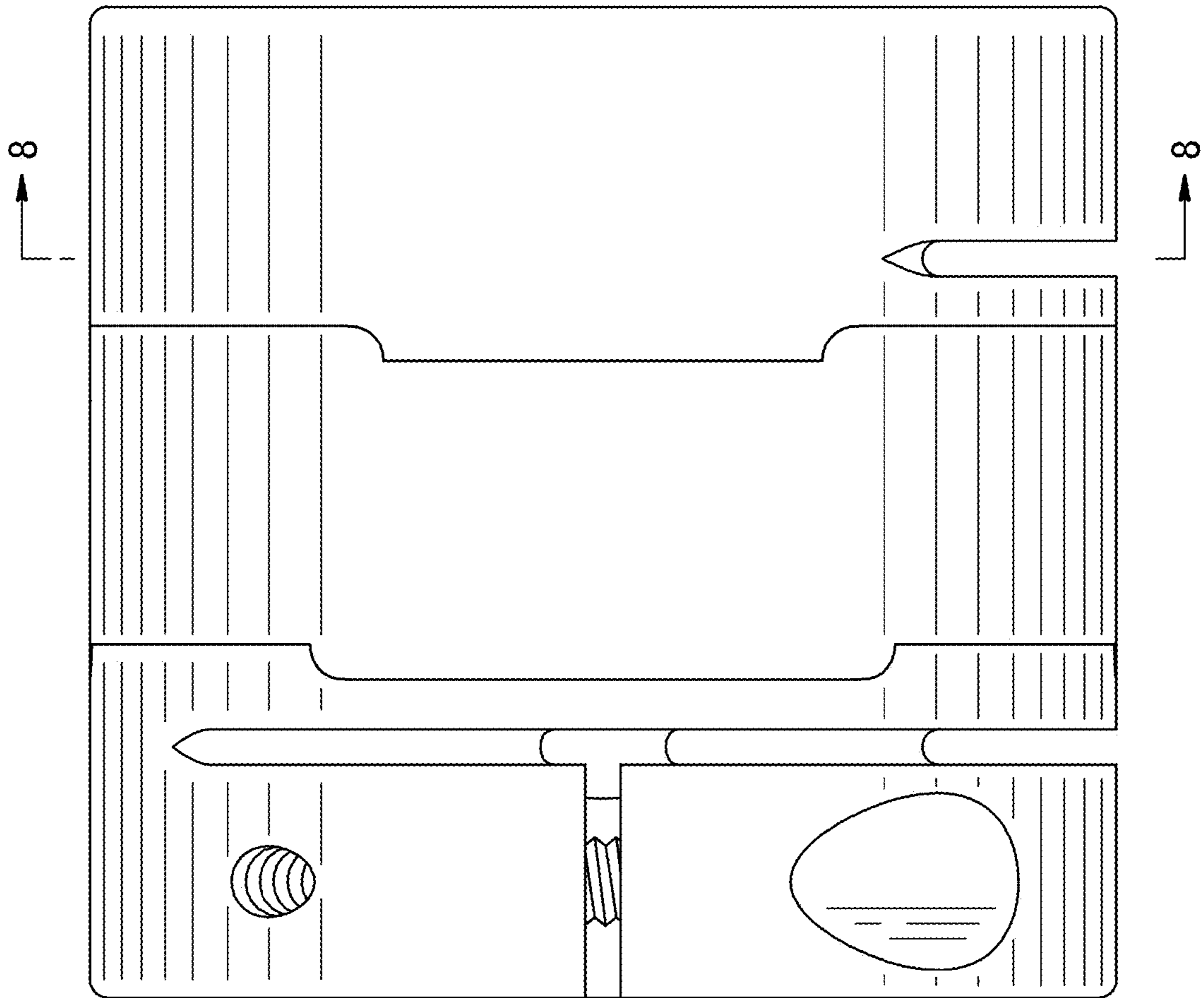


Fig. 7

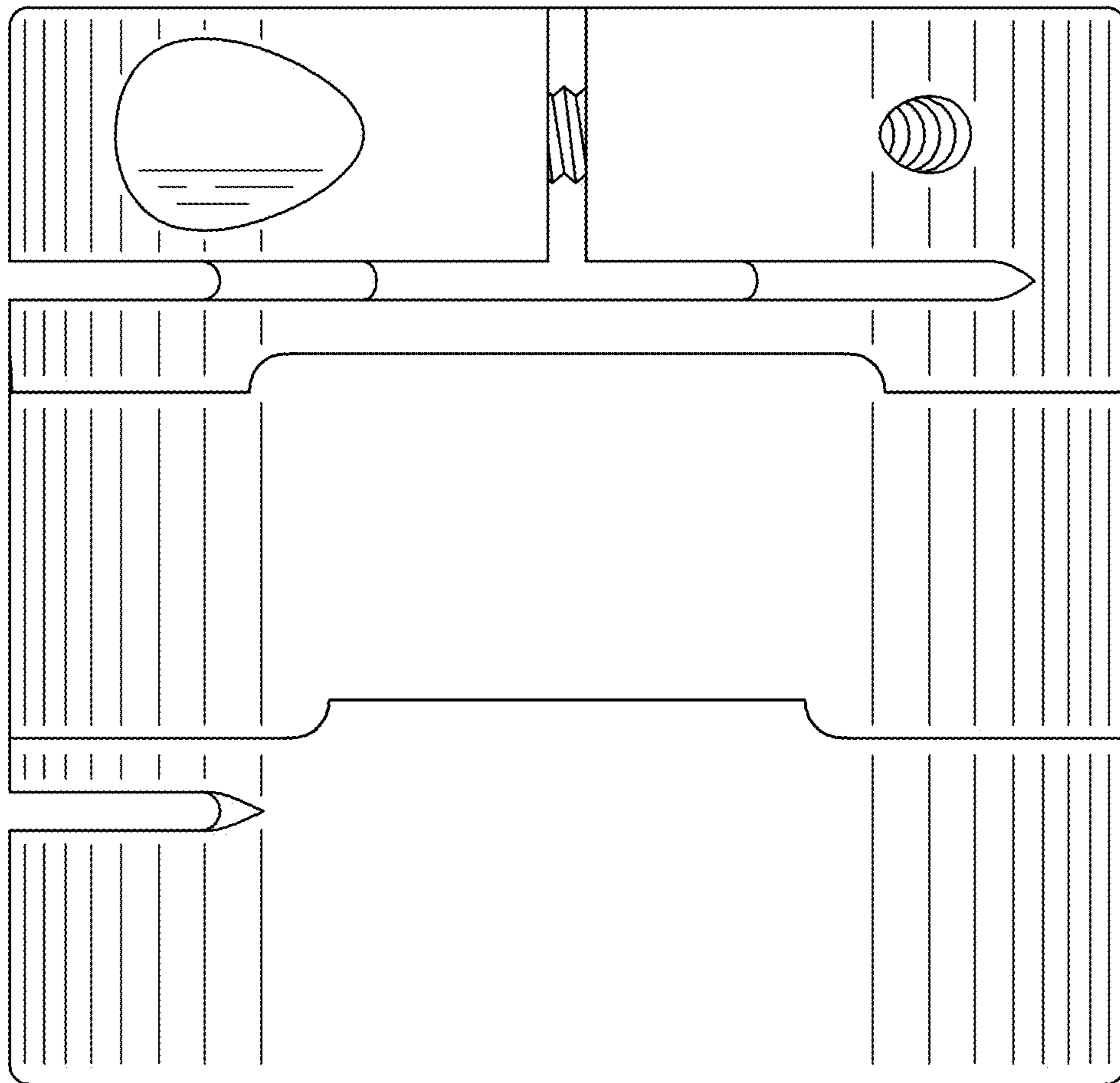


Fig. 8

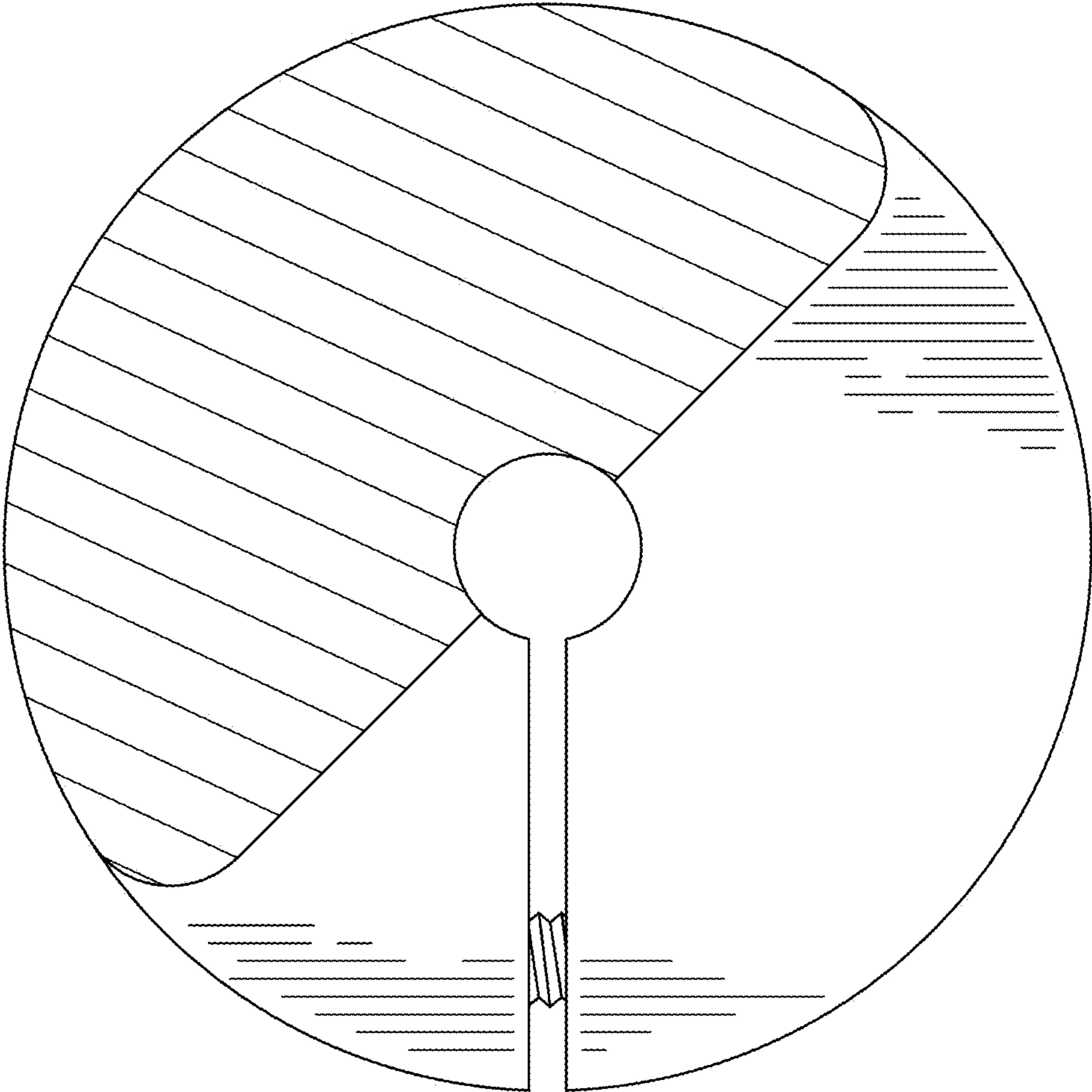


Fig. 9

