



US00D883205S

(12) **United States Design Patent**
Xie

(10) **Patent No.:** **US D883,205 S**

(45) **Date of Patent:** **** May 5, 2020**

(54) **POWER CONVERTER HUB**

(71) Applicant: **Wanliang Xie**, Longyan (CN)

(72) Inventor: **Wanliang Xie**, Longyan (CN)

(**) Term: **15 Years**

(21) Appl. No.: **29/647,829**

(22) Filed: **May 16, 2018**

(51) **LOC (12) Cl.** **13-02**

(52) **U.S. Cl.**
USPC **D13/110**

(58) **Field of Classification Search**
USPC D3/215, 218; D13/107, 108, 109, 110,
D13/118, 119, 123, 133, 134, 184;
D14/253, 432, 434
CPC H01R 13/24; H01R 13/72; H01R 13/5221;
H01R 13/5816; H01R 13/582; H01R
13/5825; H01R 13/5829; H01R 13/5833;
H01R 13/6275; H01R 13/6589; H01R
13/743; H01R 13/745; H01R 31/065;
H01R 31/06

See application file for complete search history.

(56) **References Cited**

U.S. PATENT DOCUMENTS

D433,994 S * 11/2000 Jobs D13/110
7,510,446 B1 * 3/2009 Yu H01R 13/72
439/501
7,601,023 B1 * 10/2009 Ma H01R 31/06
439/518
7,632,137 B1 * 12/2009 Ma H01R 31/06
439/518

D630,835 S * 1/2011 Easley D3/203.1
D649,346 S * 11/2011 Davidson D3/215
8,313,335 B2 * 11/2012 Wu H01R 13/502
439/172
D675,012 S * 1/2013 Votel D3/215
D675,013 S * 1/2013 Votel D3/215
D697,304 S * 1/2014 Westfall D3/215
D707,957 S * 7/2014 Oas D3/215
D765,975 S * 9/2016 Hoofnagle D3/215
D807,825 S * 1/2018 Miller D13/133
D807,826 S * 1/2018 Miller D13/133
D809,456 S * 2/2018 Miller D13/110

* cited by examiner

Primary Examiner — Susan Bennett Hattan
Assistant Examiner — Suzanne E Tisdell

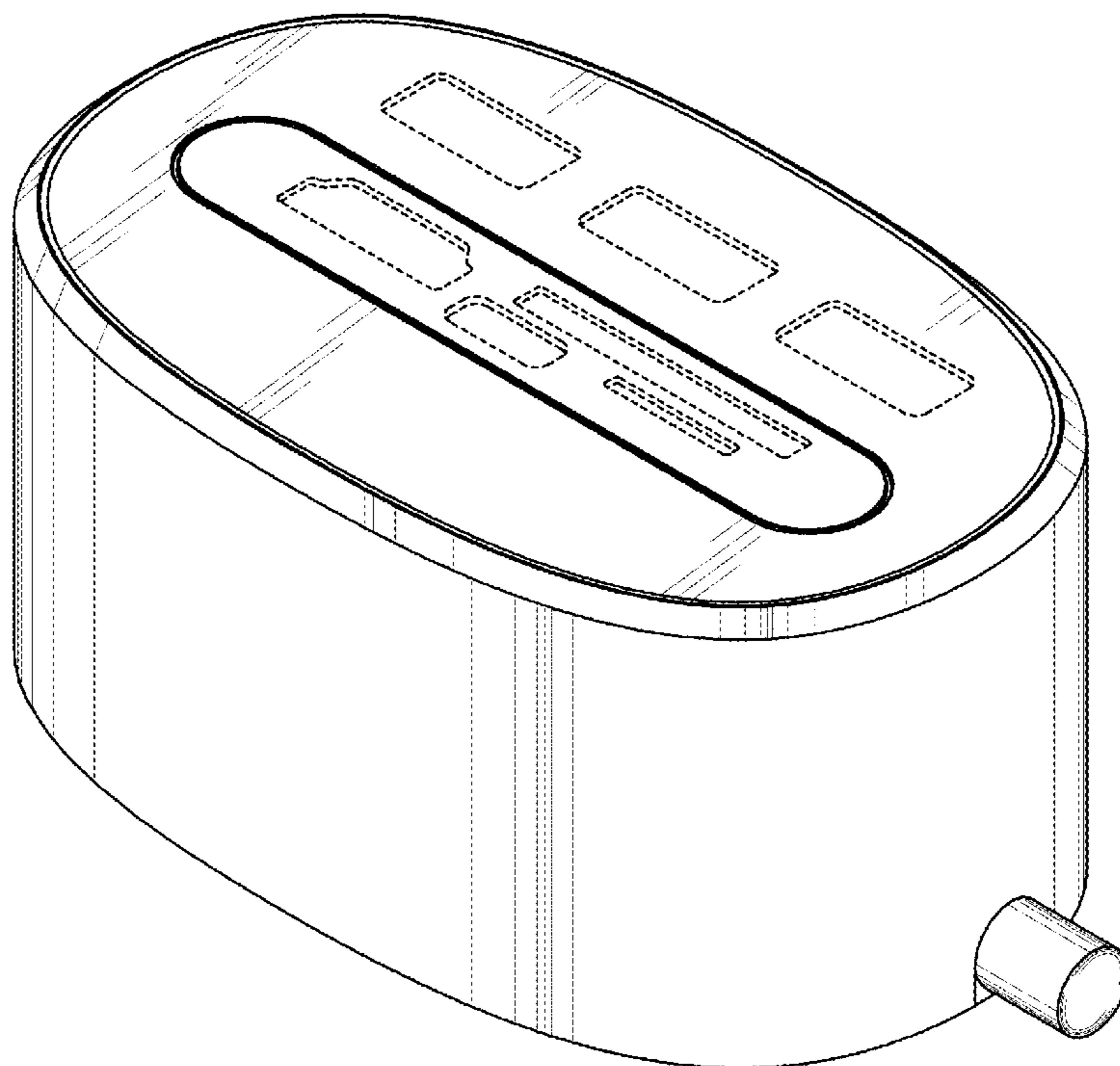
(57) **CLAIM**

The ornamental design for a power converter hub, as shown and described.

DESCRIPTION

FIG. 1 is a front elevational view of a power converter hub showing my new design;
FIG. 2 is a rear elevational view thereof;
FIG. 3 is a right side elevational view thereof;
FIG. 4 is a left side elevational view thereof;
FIG. 5 is a bottom plan view thereof;
FIG. 6 is a top plan view thereof;
FIG. 7 is a front, top perspective view thereof; and,
FIG. 8 is bottom perspective view thereof.
The broken lines in the FIG. 6 and FIG. 7 depict the portions of the power converter hub that form no part of the claimed design.

1 Claim, 8 Drawing Sheets



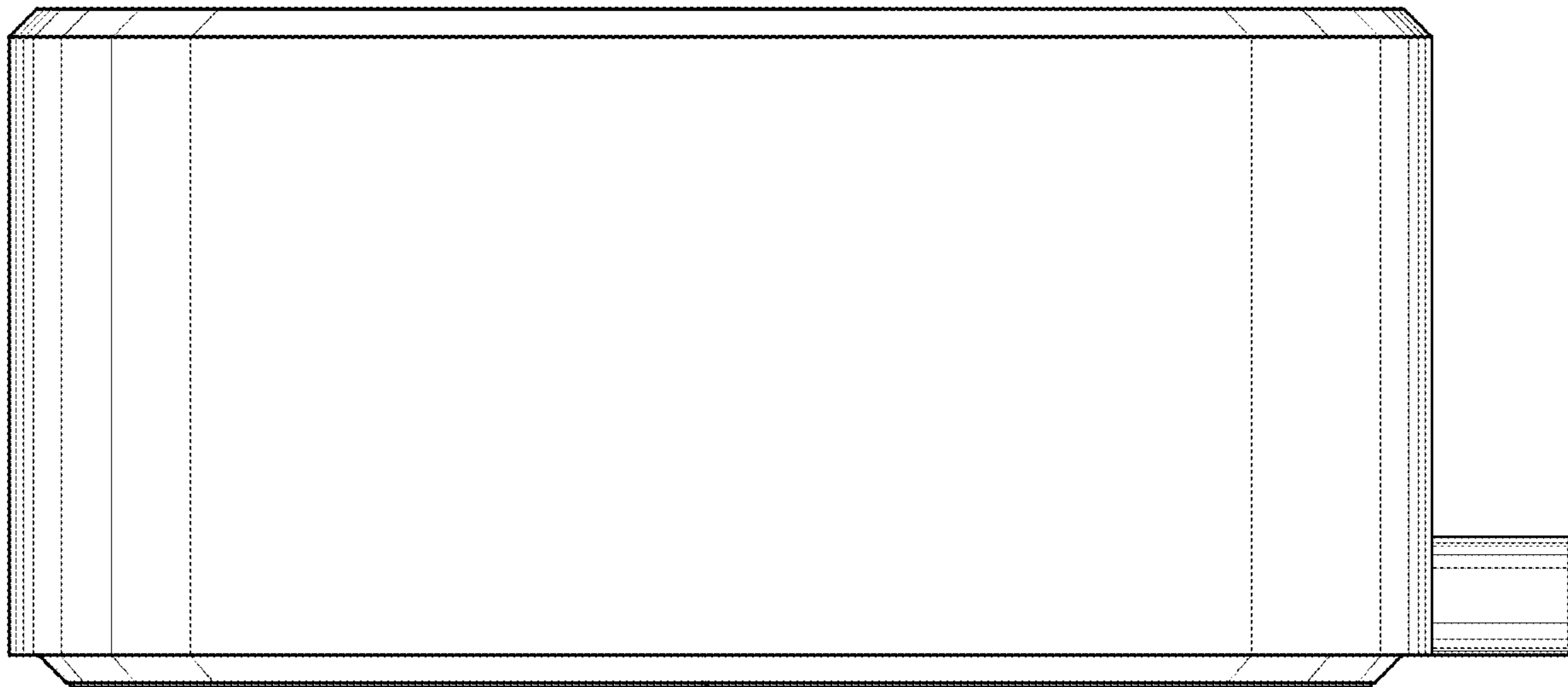


FIG. 1

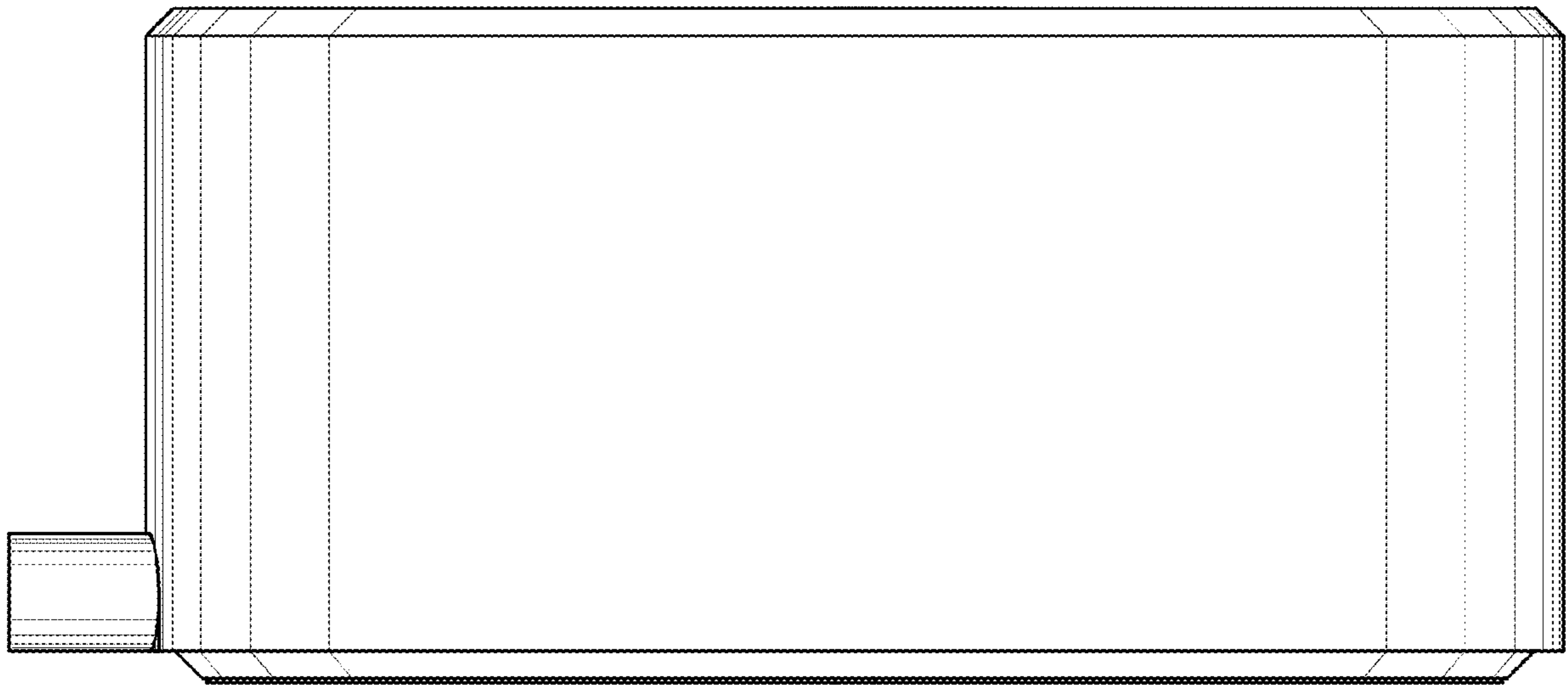


FIG. 2

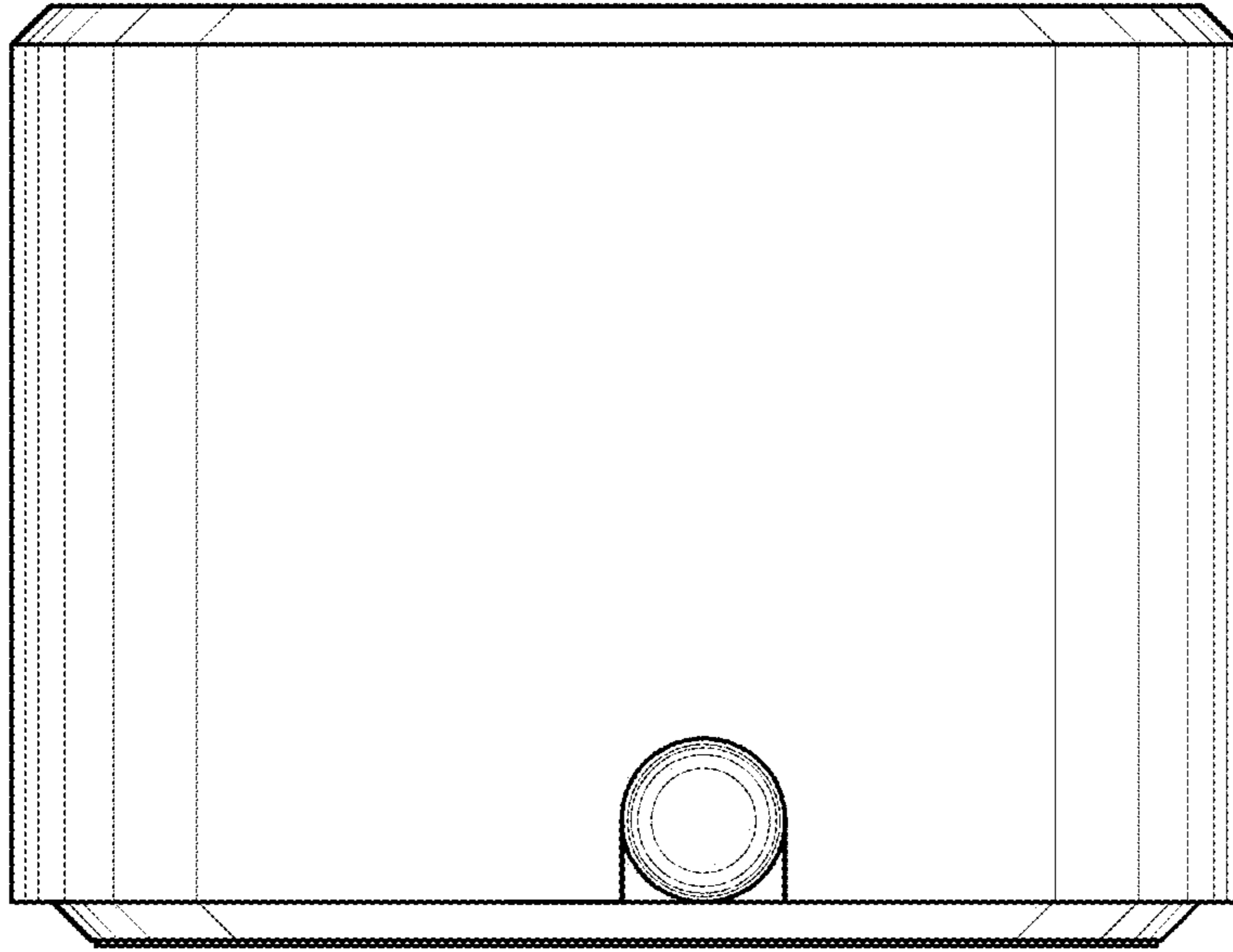


FIG. 3

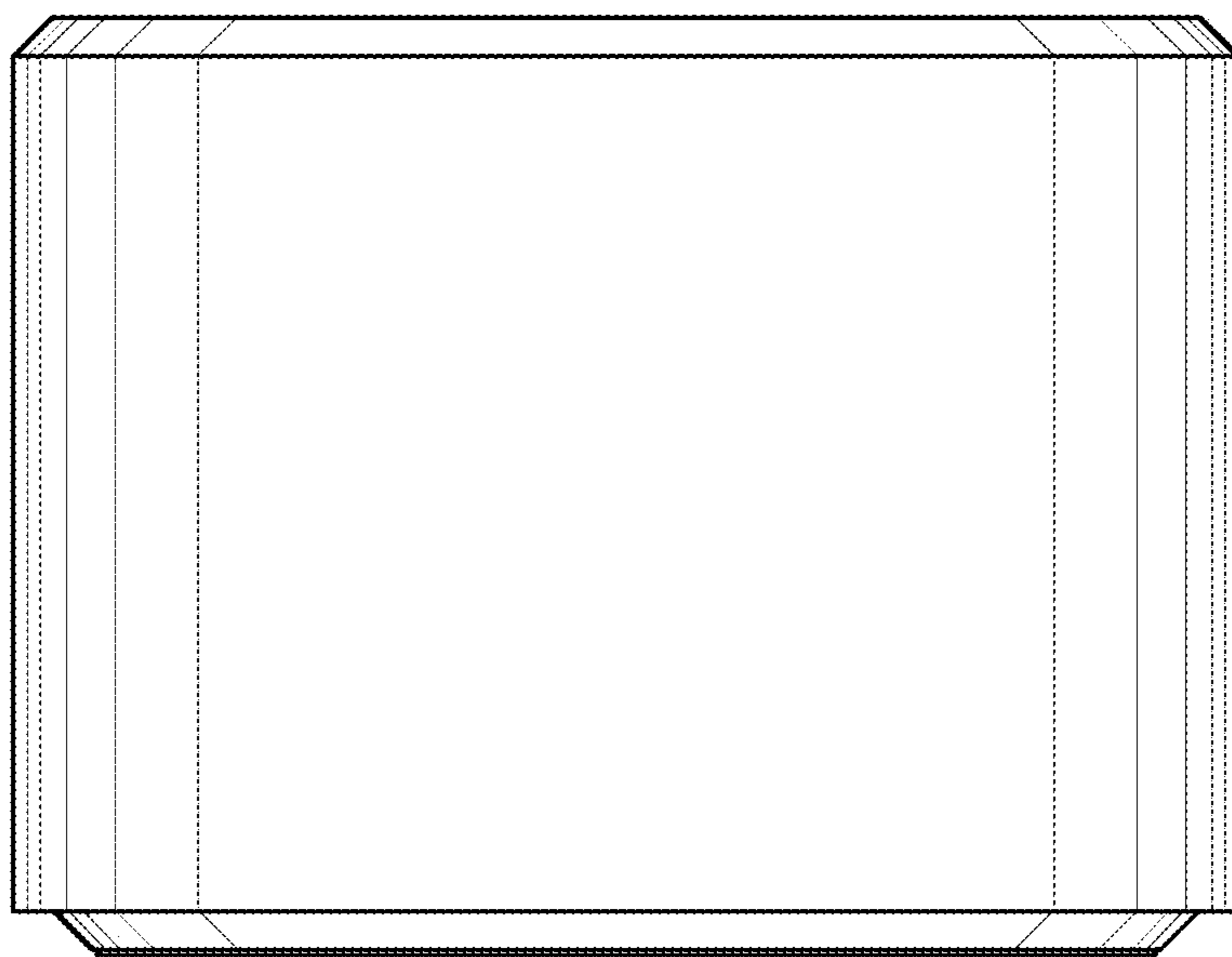


FIG. 4

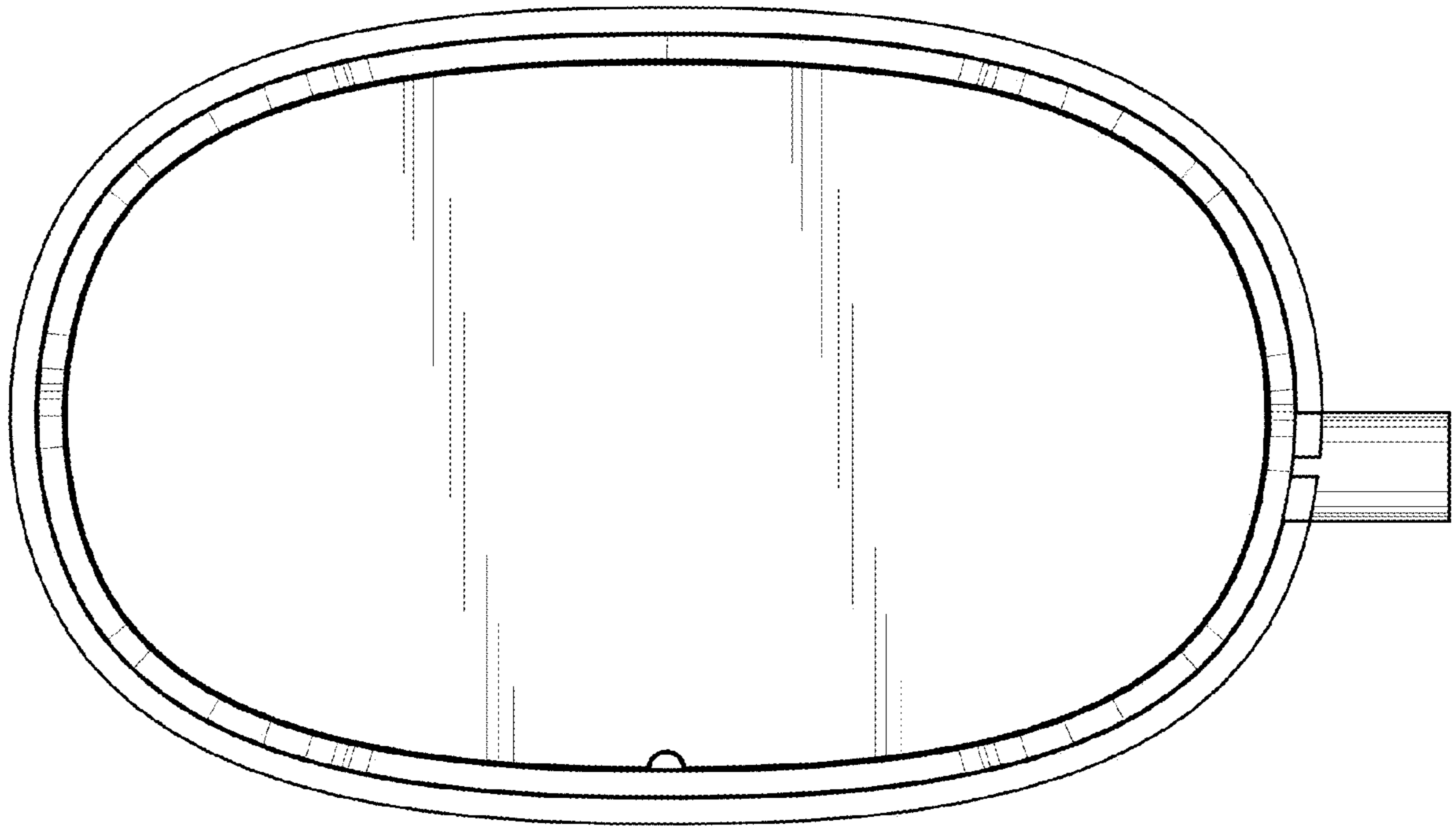


FIG. 5

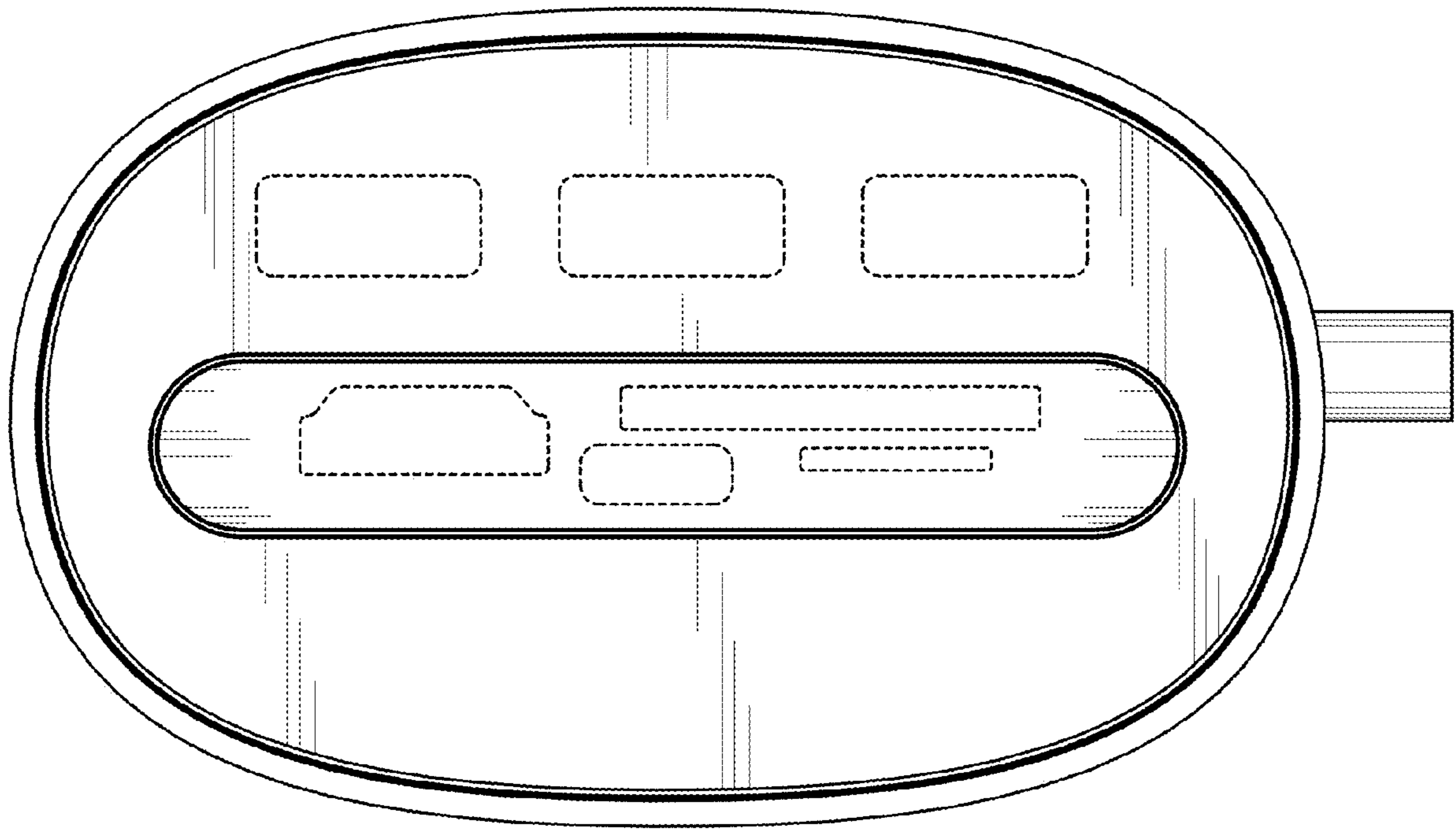


FIG. 6

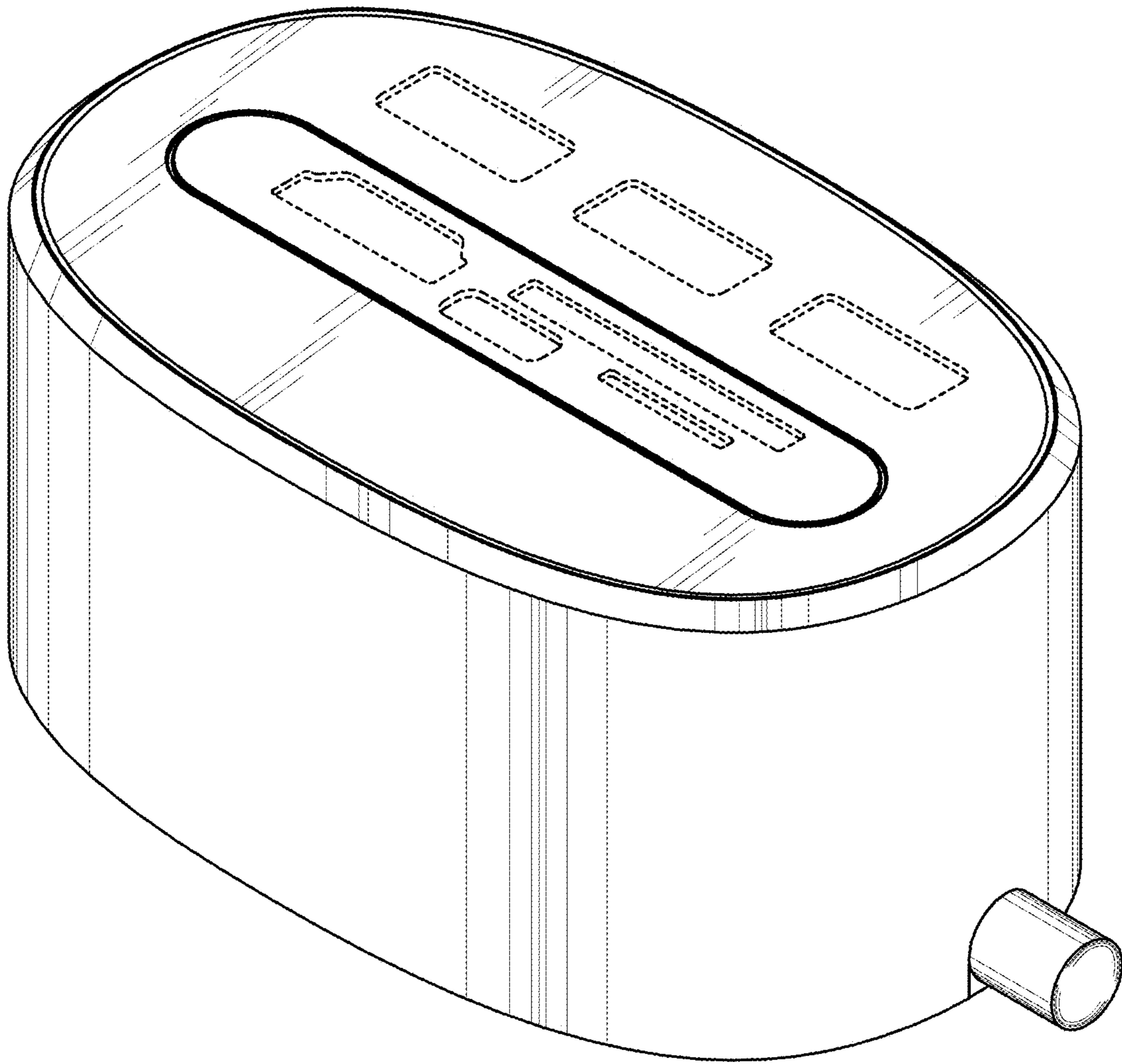


FIG. 7

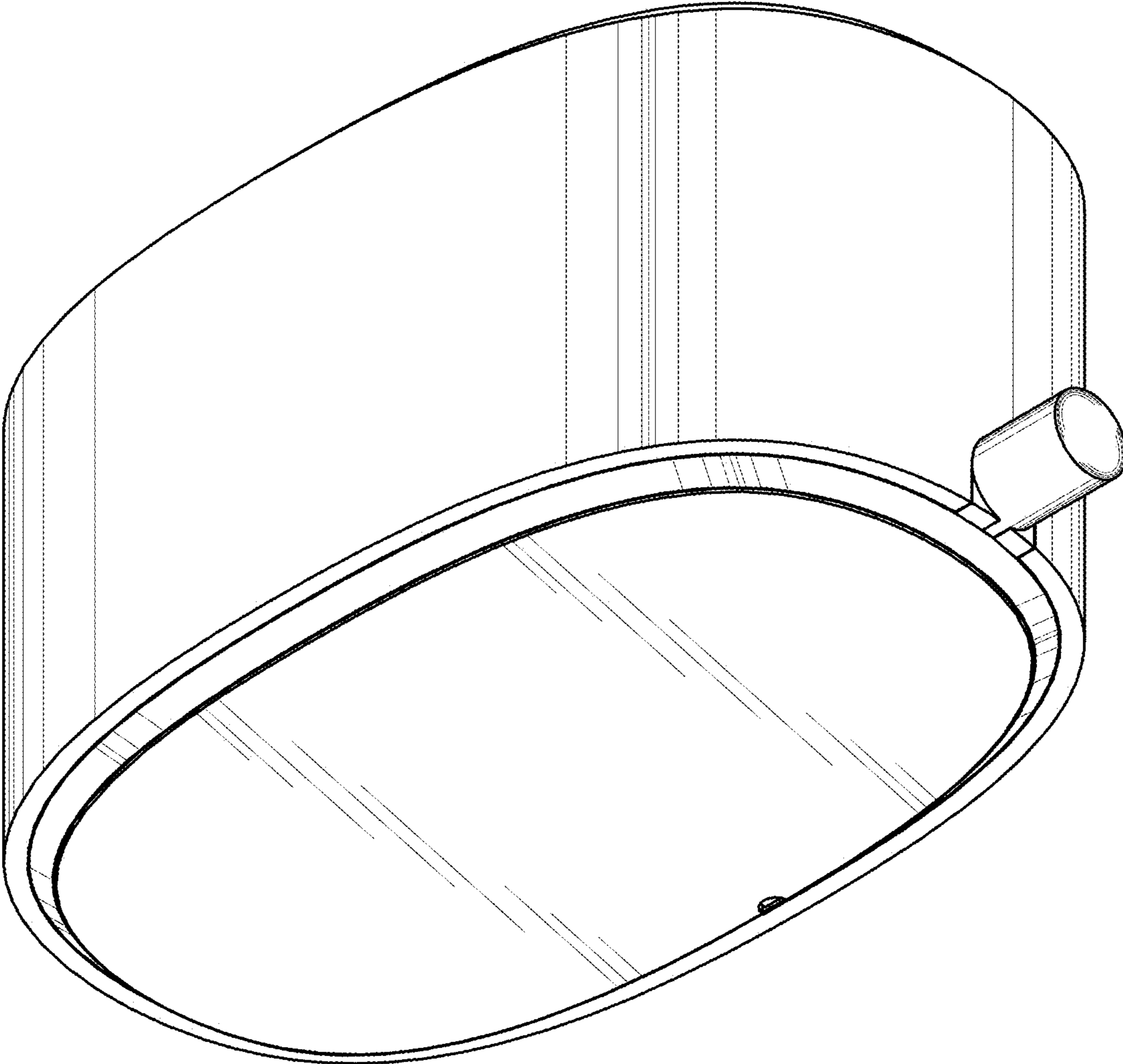


FIG. 8