



US00D883202S

(12) **United States Design Patent**  
**Edwards**

(10) **Patent No.:** **US D883,202 S**

(45) **Date of Patent:** **\*\* May 5, 2020**

(54) **CHARGING BASE**

(71) Applicant: **Topcon Positioning Systems, Inc.**,  
Livermore, CA (US)

(72) Inventor: **Reilly Edwards**, Brisbane (AU)

(73) Assignee: **Topcon Positioning Systems, Inc.**,  
Livermore, CA (US)

(\*\*) Term: **15 Years**

(21) Appl. No.: **29/663,839**

(22) Filed: **Sep. 19, 2018**

(51) **LOC (12) Cl.** ..... **13-02**

(52) **U.S. Cl.**  
USPC ..... **D13/108**

(58) **Field of Classification Search**  
USPC ..... D13/107-108, 110, 118, 184; D14/251,  
D14/253, 432, 434

CPC .. H02J 50/00; H02J 50/10; H02J 50/12; H02J  
50/50; H02J 50/80; H02J 7/025; H02J  
5/00; H02J 5/005; H02J 7/0042; H02J  
7/0044; H02J 7/0045; H02J 7/00032;  
H02J 7/00034

See application file for complete search history.

(56) **References Cited**

**U.S. PATENT DOCUMENTS**

D442,545 S \* 5/2001 Isonaga ..... D13/108  
D486,787 S \* 2/2004 Krieger ..... D13/108

D656,894 S \* 4/2012 Stephanchick ..... D13/108  
D676,377 S \* 2/2013 Nokuo ..... D13/108  
D680,540 S \* 4/2013 Lee ..... D14/217  
D731,967 S \* 6/2015 Tuhkanen ..... D13/108  
D736,706 S \* 8/2015 Huang ..... D13/108  
D783,524 S \* 4/2017 Ju ..... D13/108  
D797,041 S \* 9/2017 Meyerhoffer ..... D13/107  
D810,679 S \* 2/2018 Patton ..... D13/108  
D813,806 S \* 3/2018 Ito ..... D13/108  
D826,151 S \* 8/2018 Akana ..... D13/108  
D827,568 S \* 9/2018 Turksu ..... D13/108  
2019/0239682 A1 \* 8/2019 Lee ..... H01M 10/488

\* cited by examiner

*Primary Examiner* — Rosemary K Tarcza

(74) *Attorney, Agent, or Firm* — Chiesa Shahinian &  
Giantomasi PC

(57) **CLAIM**

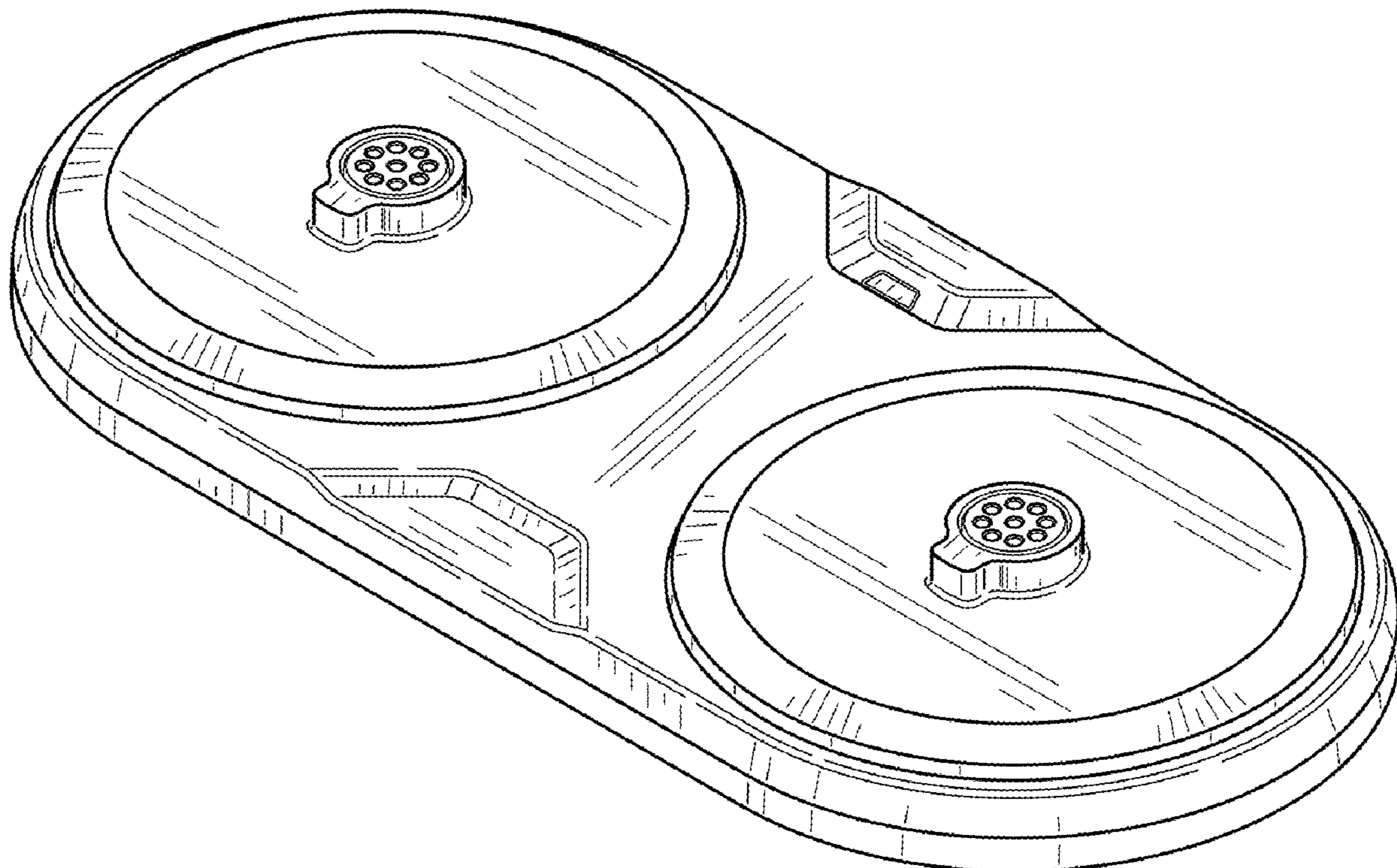
The ornamental design for a charging base, as shown and  
described.

**DESCRIPTION**

FIG. 1 is a front perspective view of a charging base  
according to my design;  
FIG. 2 is a front view thereof;  
FIG. 3 is a rear view thereof;  
FIG. 4 is a left side view thereof;  
FIG. 5 is a right side view thereof;  
FIG. 6 is a top view thereof; and,  
FIG. 7 is a bottom view thereof.

The broken lines shown in the drawings depict environment  
that forms no part of the claimed design.

**1 Claim, 3 Drawing Sheets**



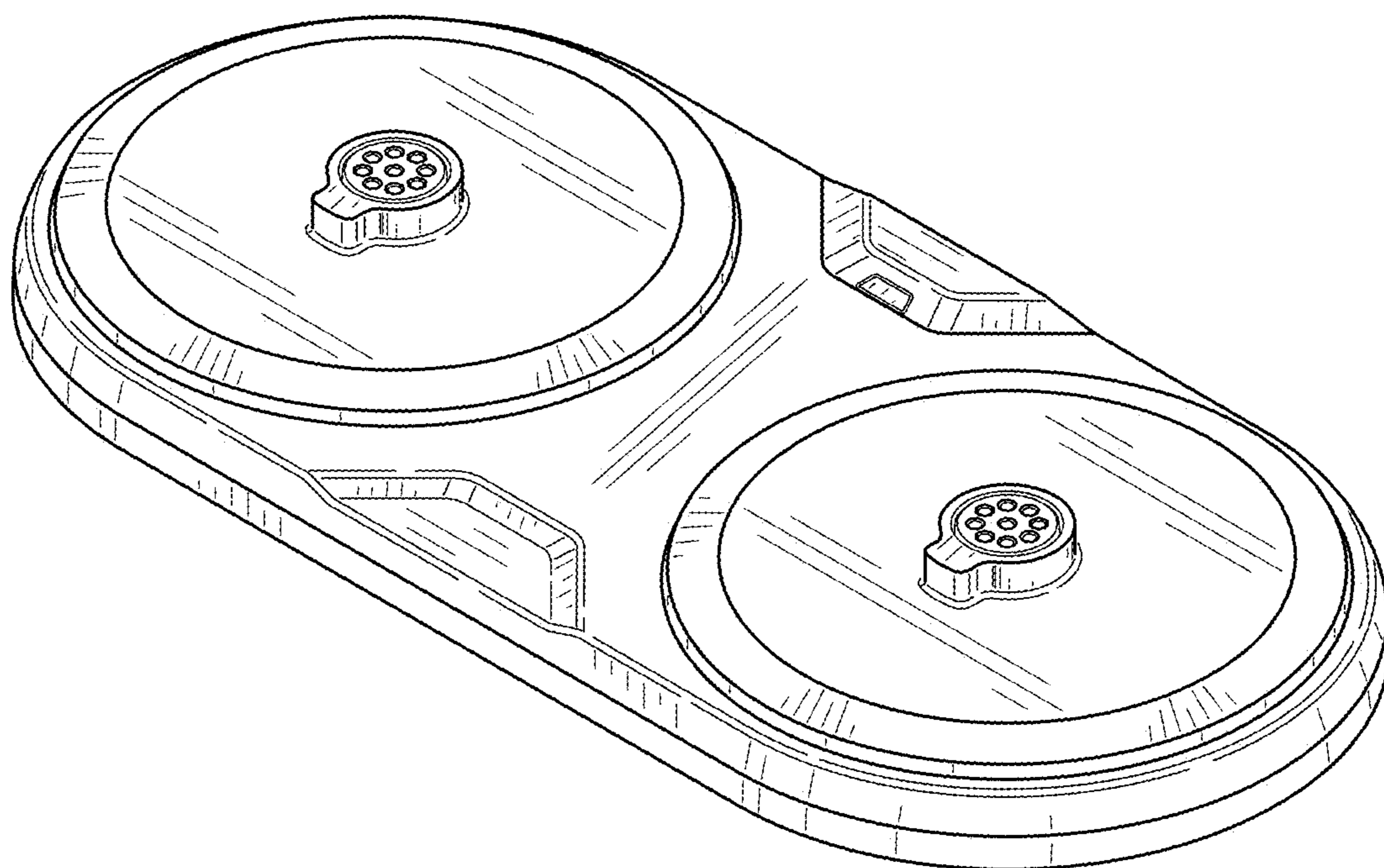


FIG. 1

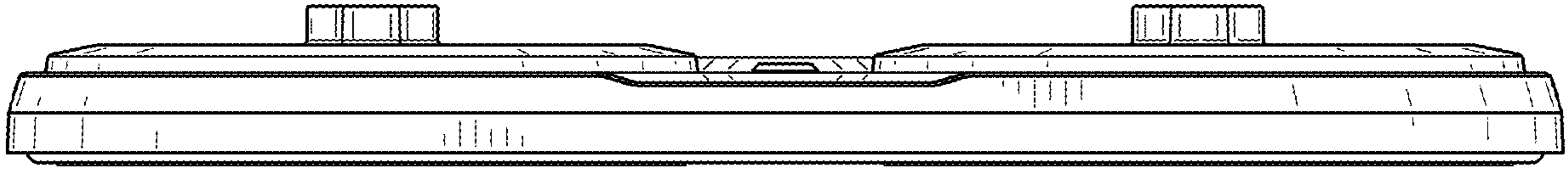


FIG. 2

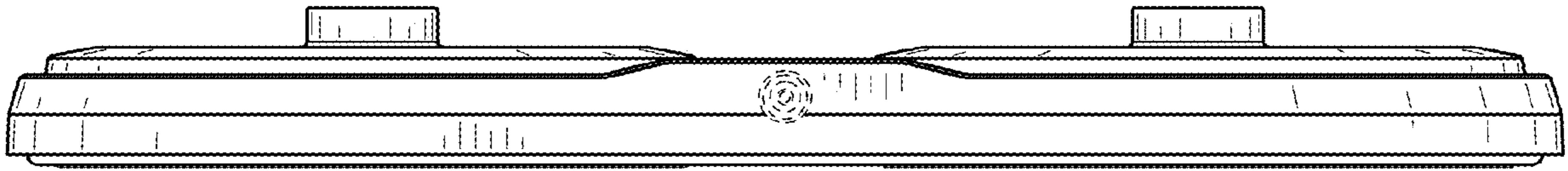


FIG. 3

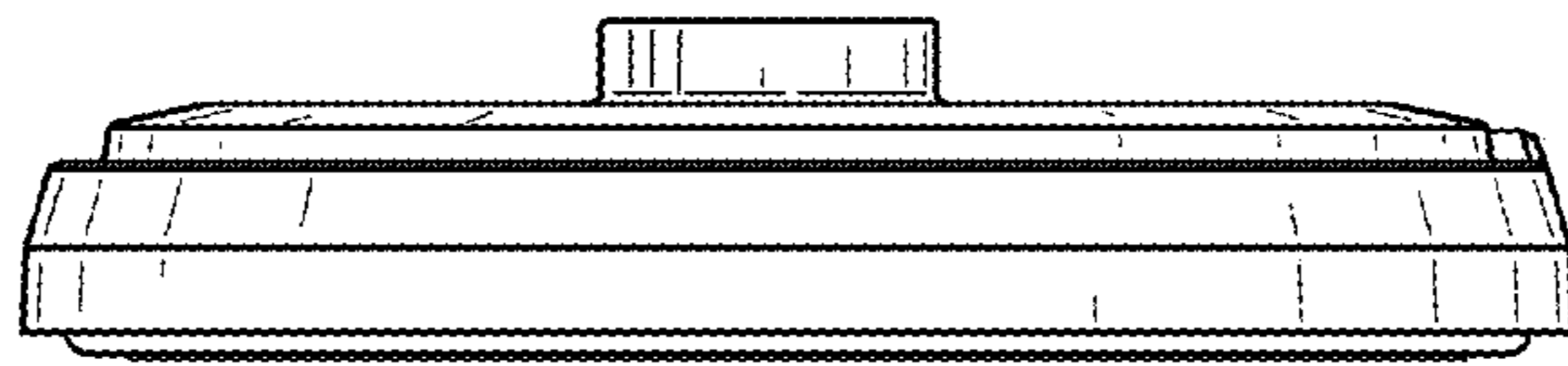


FIG. 4

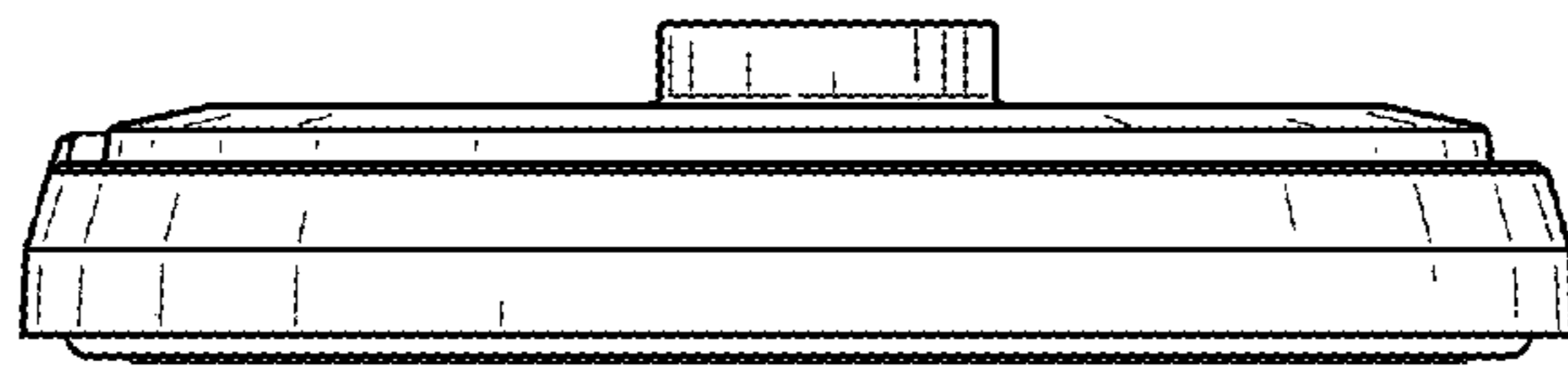


FIG. 5

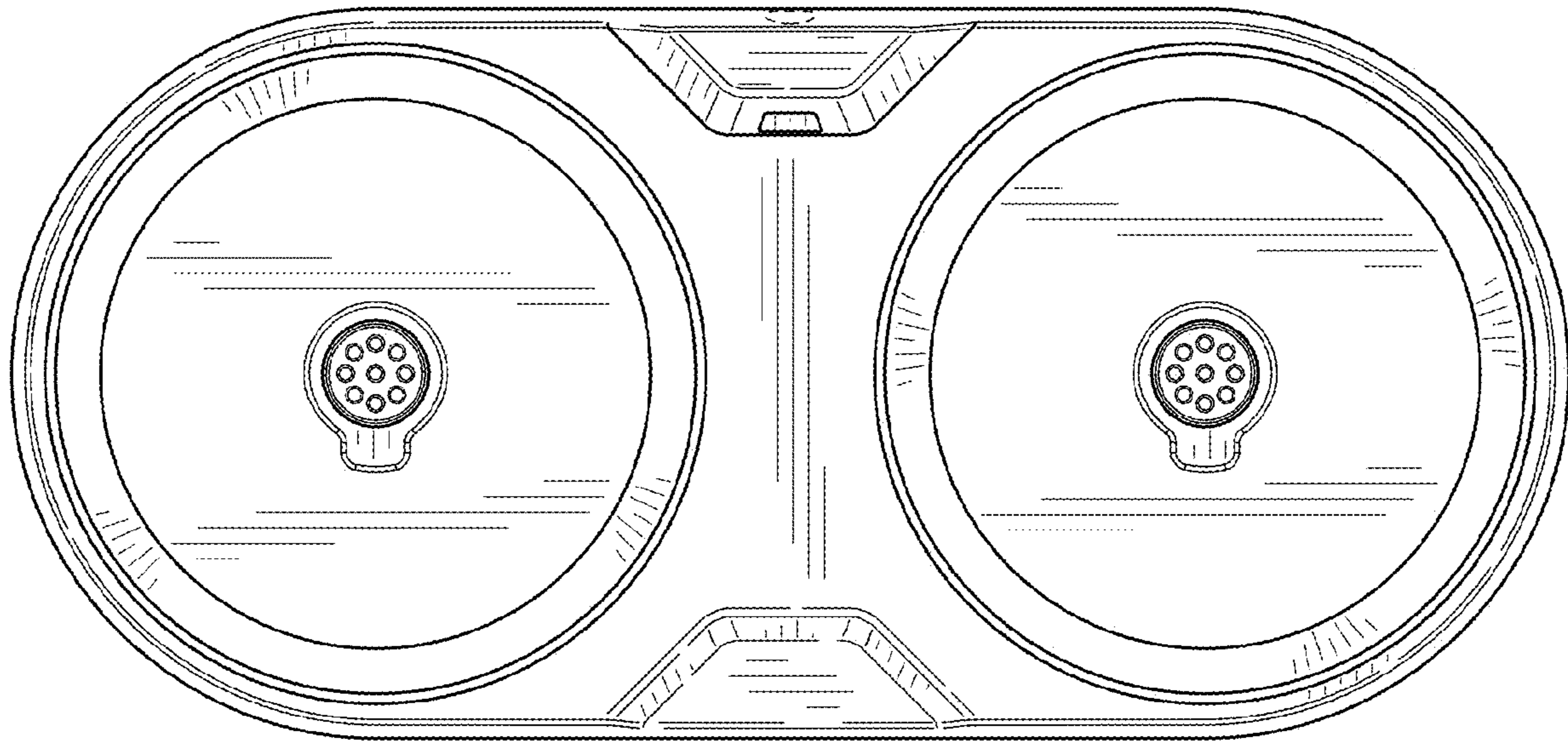


FIG. 6

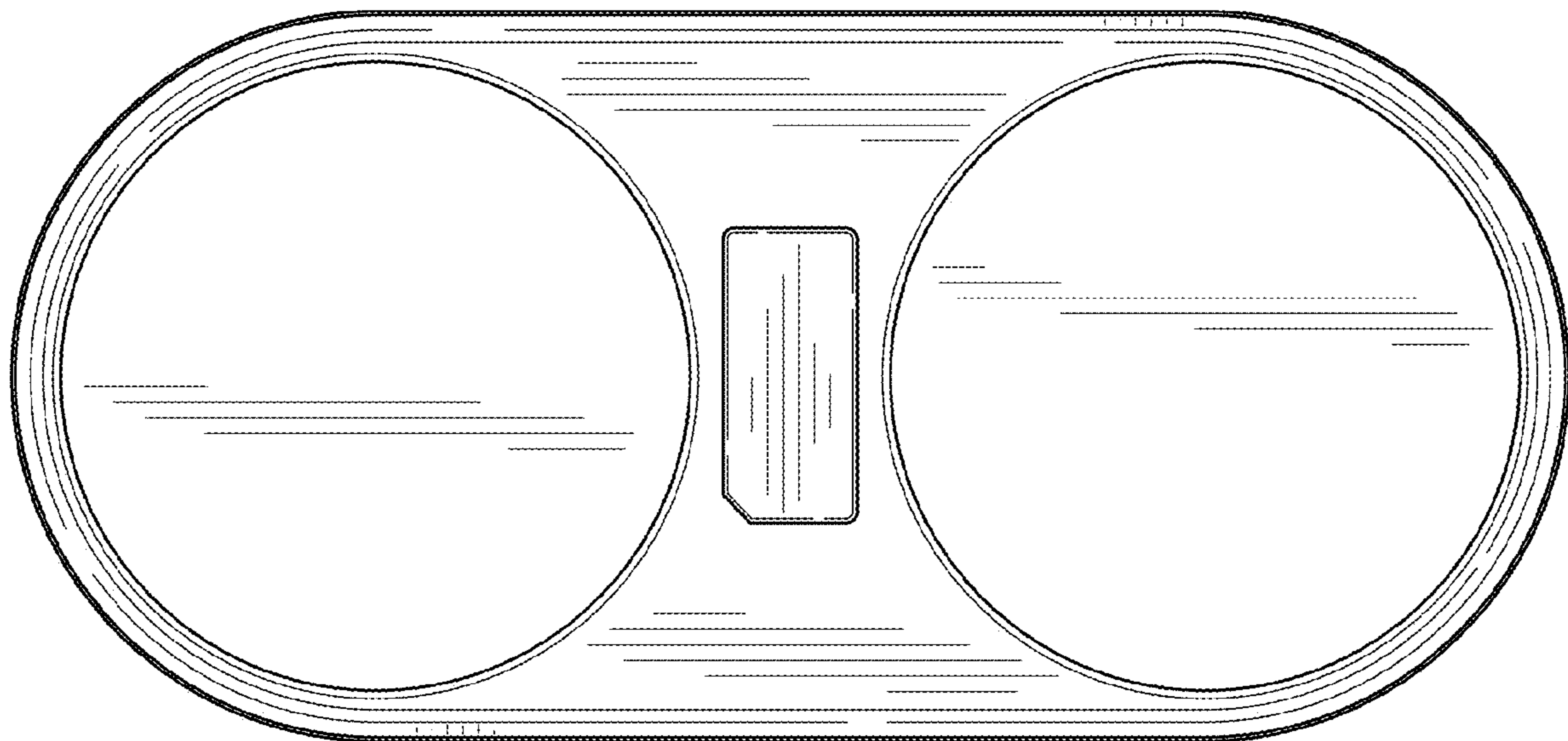


FIG. 7