



US00D883201S

(12) **United States Design Patent**  
**Chen**

(10) **Patent No.:** **US D883,201 S**

(45) **Date of Patent:** **\*\* \*May 5, 2020**

(54) **WIRELESS CHARGING BOX**

(71) Applicant: **Shenzhen Ke Xiu Technology Co., Ltd.**, Shenzhen, Guangdong (CN)

(72) Inventor: **Huixia Chen**, Guangdong (CN)

(73) Assignee: **Shenzhen Ke Xiu Technology Co., Ltd.**, Shenzhen (CN)

(\*) Notice: This patent is subject to a terminal disclaimer.

(\*\*) Term: **15 Years**

(21) Appl. No.: **29/649,926**

(22) Filed: **Jun. 4, 2018**

(51) **LOC (12) Cl.** ..... **13-02**

(52) **U.S. Cl.**  
USPC ..... **D13/108**

(58) **Field of Classification Search**  
USPC ..... D13/107–110, 118–119, 184; D14/251, D14/253, 432, 434

CPC ..... Y02E 60/12; Y02T 90/14; Y02T 90/122; Y02T 90/128; Y02T 90/163; Y02T 10/7005; Y02T 10/7088; H02J 7/025; H02J 7/0042; H02J 7/0044; H02J 7/0045; H02J 7/0003; H01F 38/14; H01M 2/1022; H01M 2/1055; H01M 10/44; H01M 10/46; H01M 10/425; B60L 11/182

See application file for complete search history.

(56) **References Cited**

**U.S. PATENT DOCUMENTS**

D611,408 S \* 3/2010 Ferber ..... D13/108  
D669,432 S \* 10/2012 Park ..... D13/108

D672,715 S \* 12/2012 Brunner ..... D13/110  
D682,199 S \* 5/2013 Rautiainen ..... D13/108  
D707,627 S \* 6/2014 Brunner ..... D13/110  
D722,023 S \* 2/2015 Brunner ..... D13/110  
D736,706 S \* 8/2015 Huang ..... D13/108  
D782,415 S \* 3/2017 Zhang ..... D13/108  
D793,958 S \* 8/2017 Rautiainen ..... D13/108  
D826,151 S \* 8/2018 Akana ..... D13/108  
D842,805 S \* 3/2019 Kato ..... D13/108  
D847,741 S \* 5/2019 Hu ..... D13/108  
D856,926 S \* 8/2019 Yoon ..... D13/108

\* cited by examiner

*Primary Examiner* — Rosemary K Tarca

(74) *Attorney, Agent, or Firm* — Minder Law Group; Willy H. Wong

(57) **CLAIM**

The ornamental design for a wireless charging box, as shown and described.

**DESCRIPTION**

FIG. 1 is a first perspective view of a wireless charging box in accordance with the present invention.

FIG. 2 is a second perspective view of a wireless charging box in accordance with the present invention.

FIG. 3 is a front view thereof.

FIG. 4 is a back view thereof.

FIG. 5 is a left view thereof.

FIG. 6 is a right view thereof.

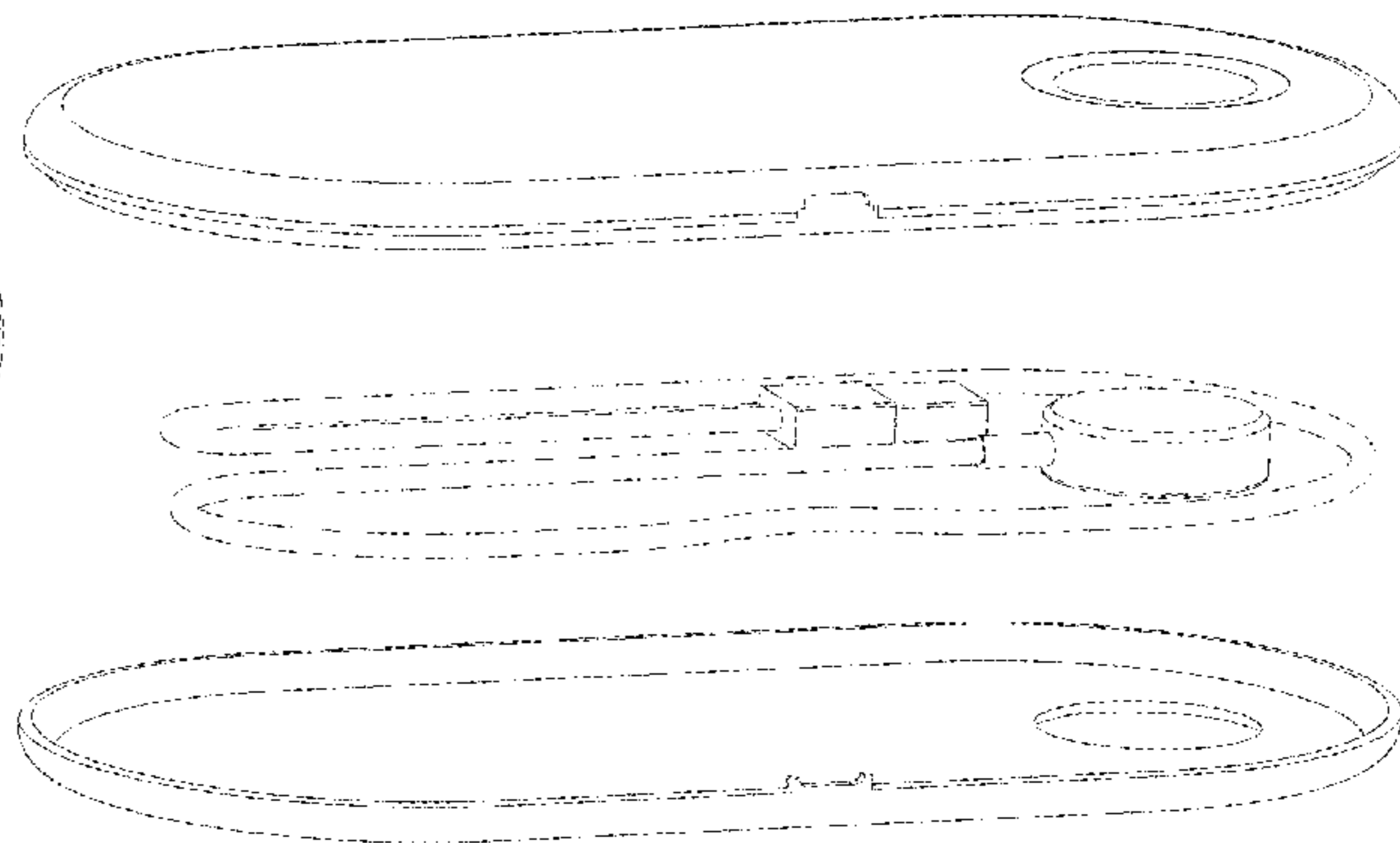
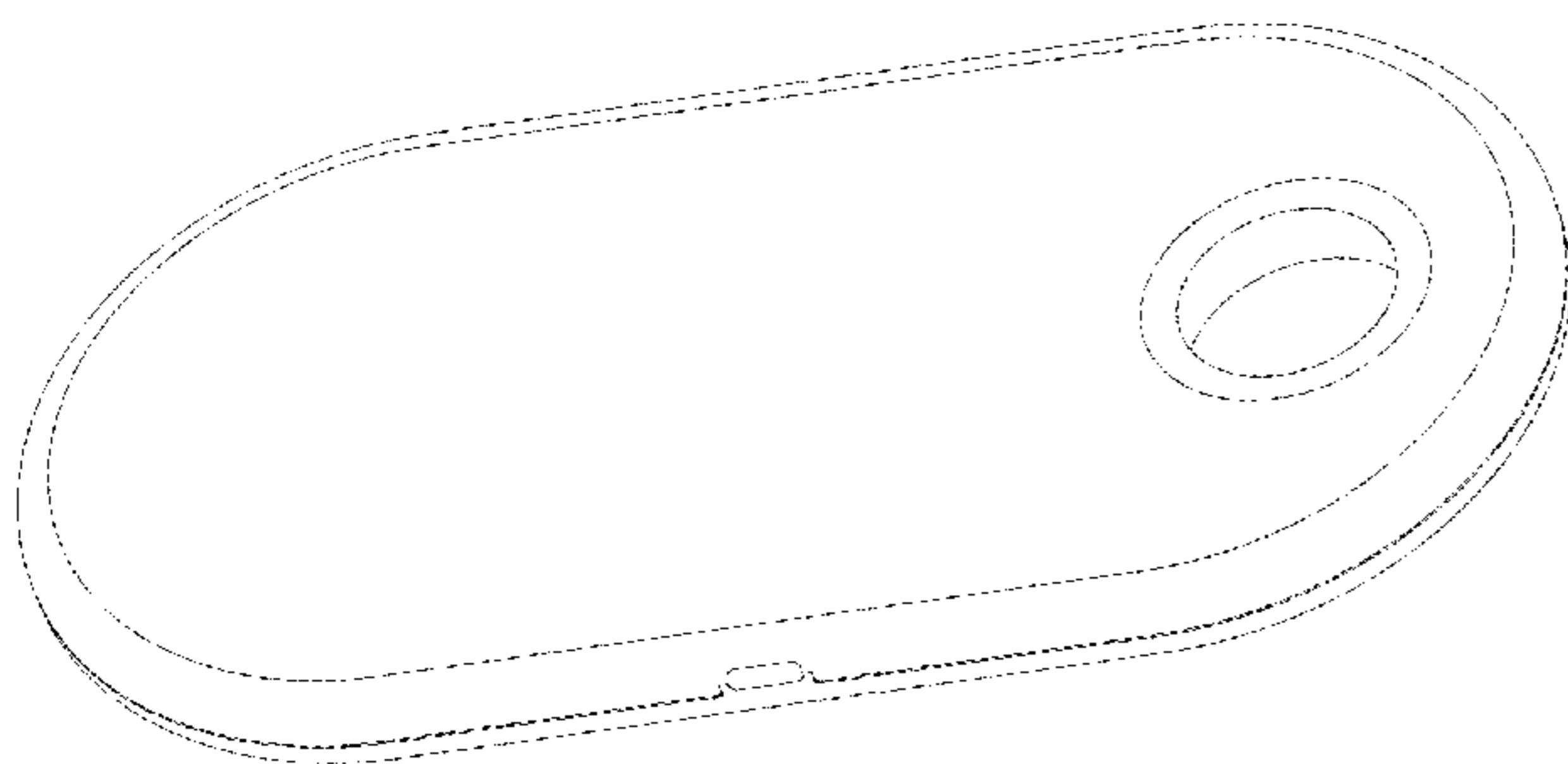
FIG. 7 is a top view thereof.

FIG. 8 is a bottom view thereof; and,

FIG. 9 is an exploded perspective view of a wireless charging box in accordance with the present invention.

The broken lines showing of portions of the wireless charging box are for the purpose of illustrating environmental structure and form no part of the claimed design.

**1 Claim, 9 Drawing Sheets**



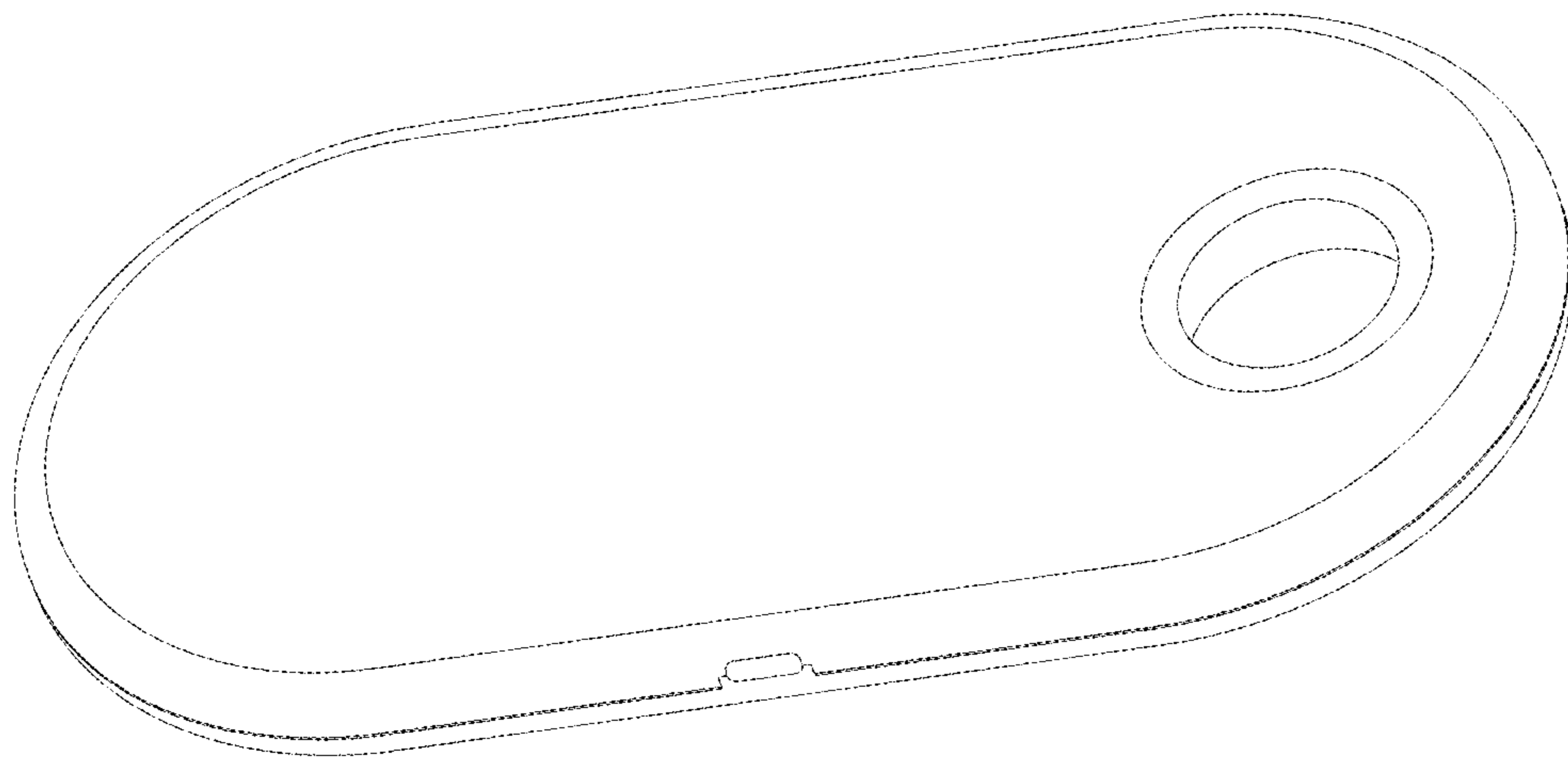


FIG. 1

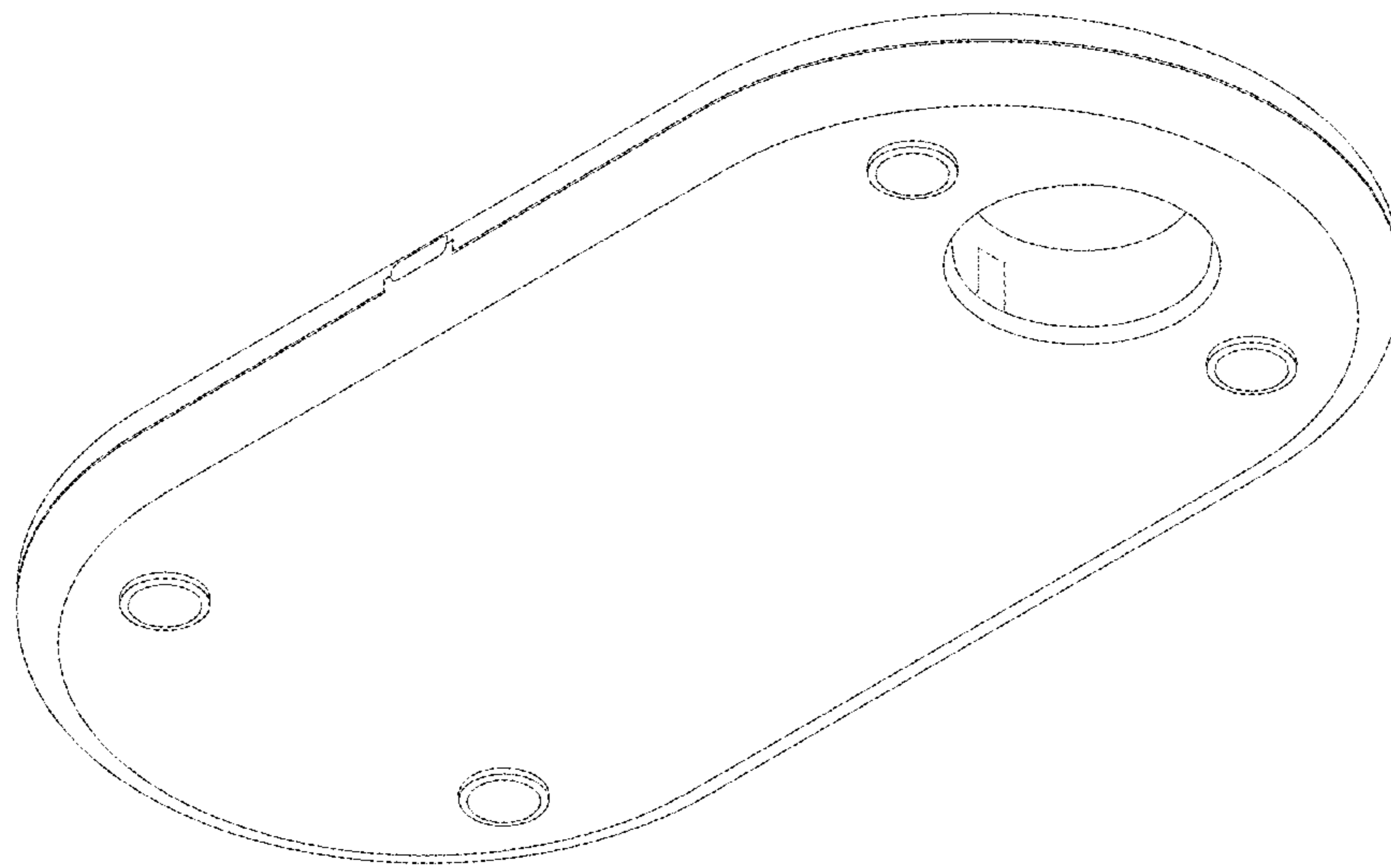


FIG. 2

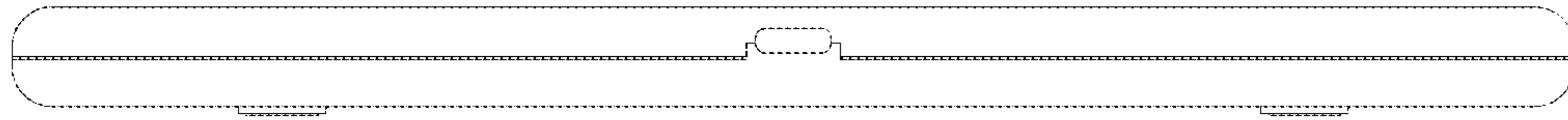


FIG. 3

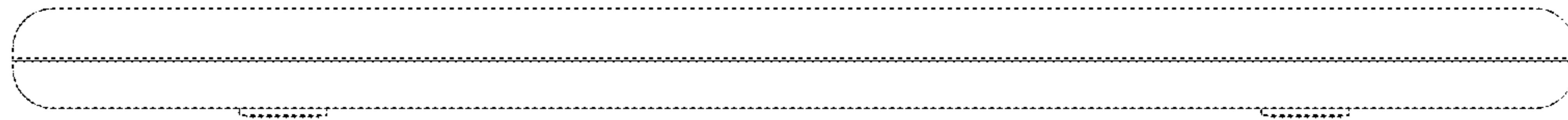


FIG. 4

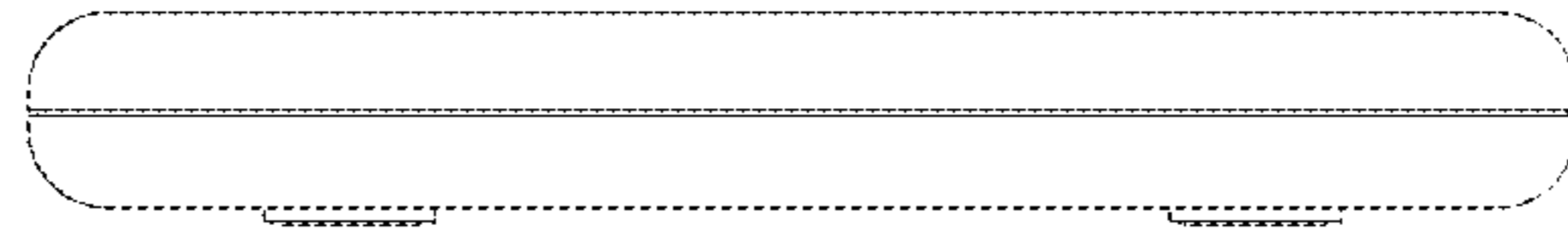


FIG. 5

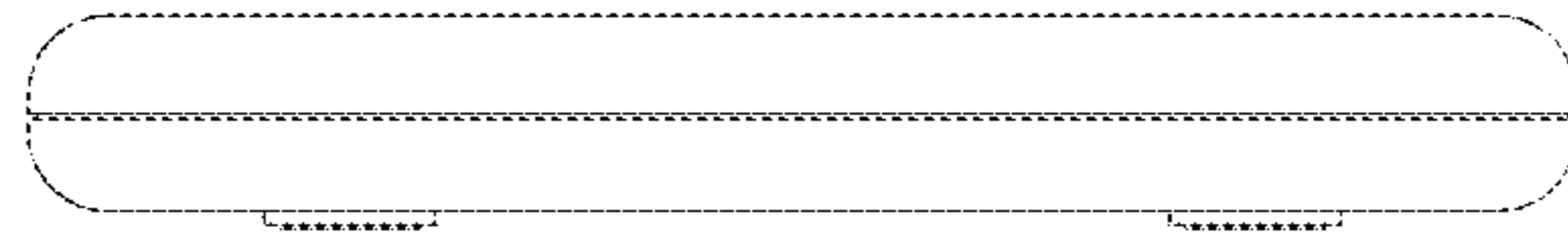


FIG. 6

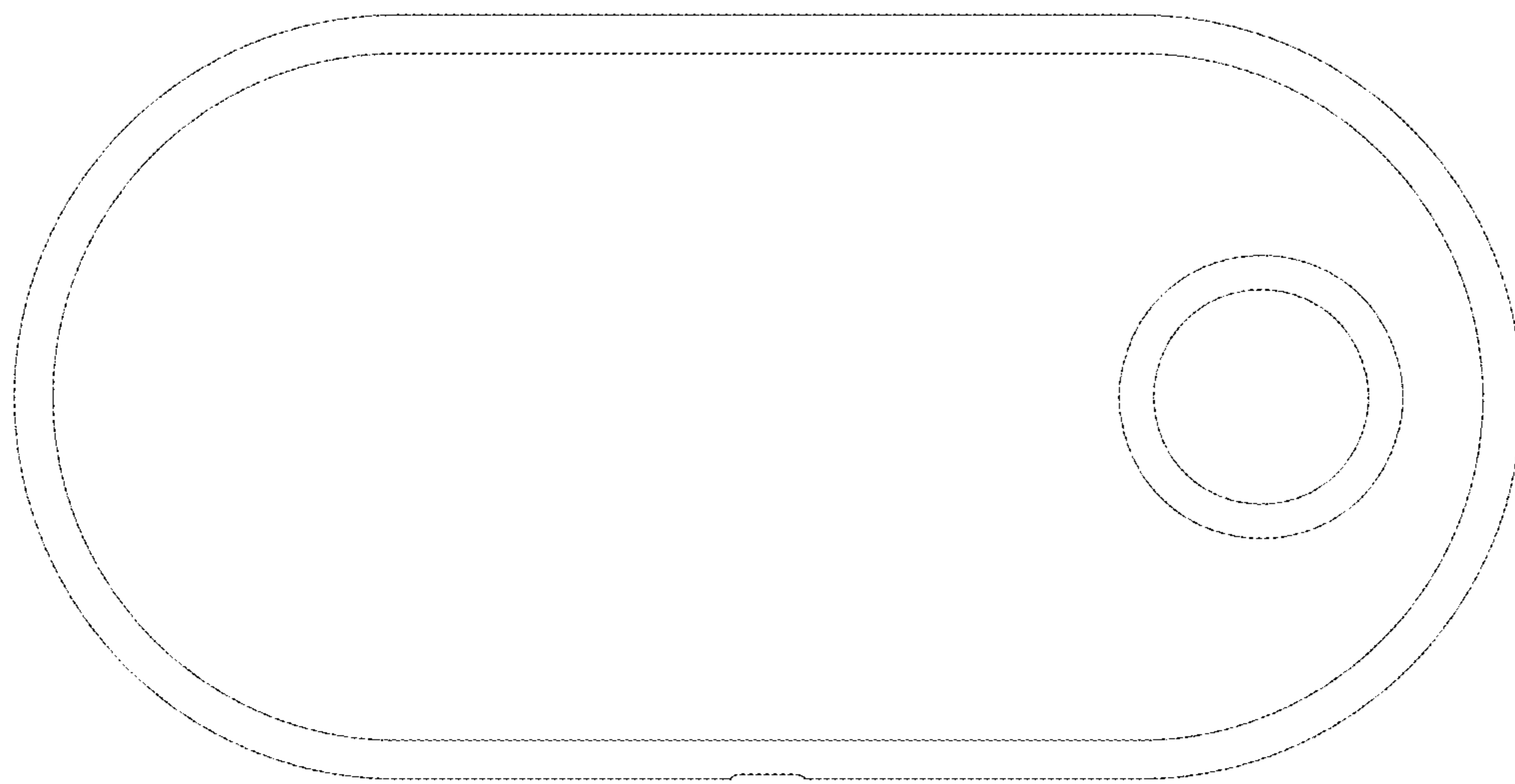


FIG. 7



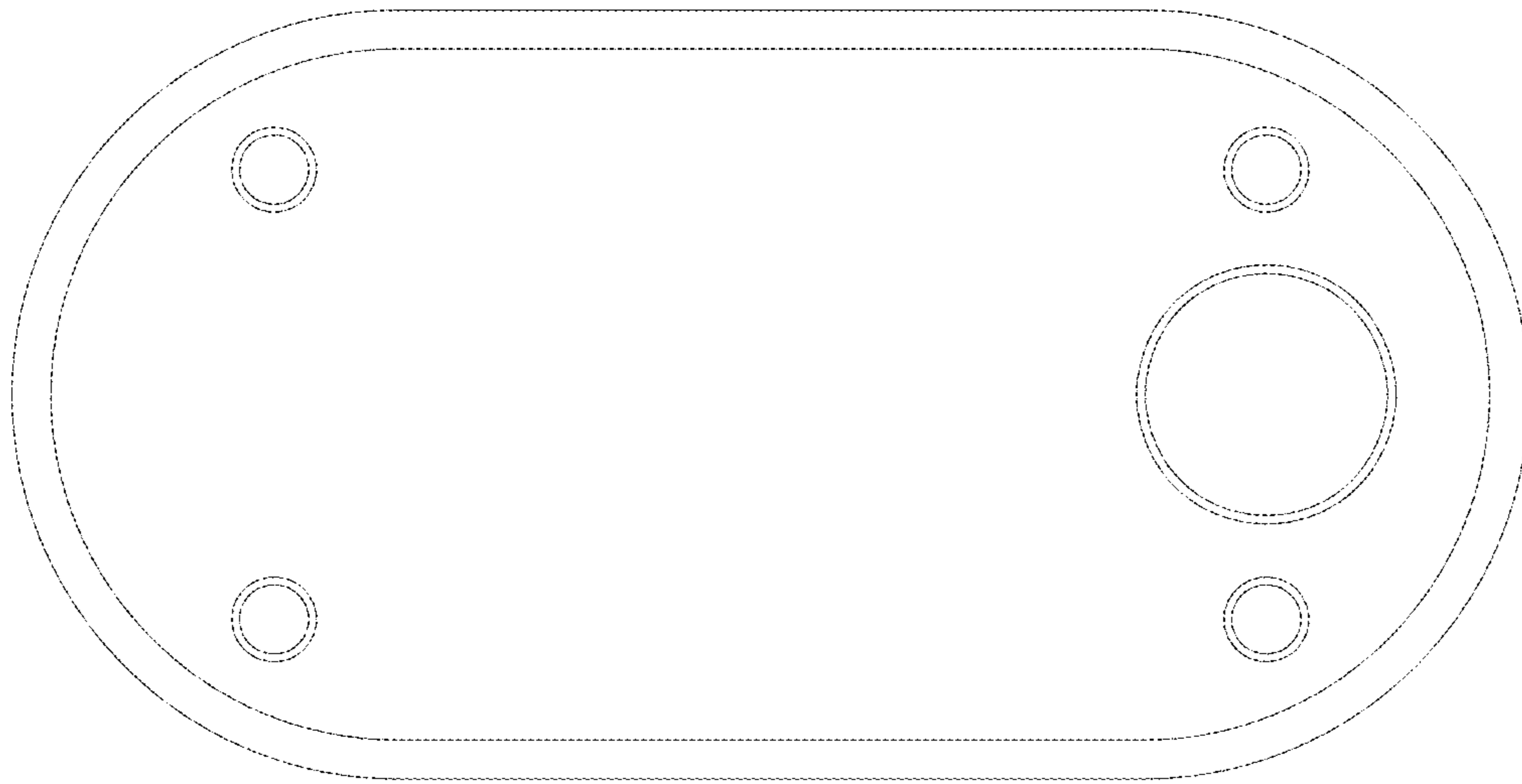


FIG. 8

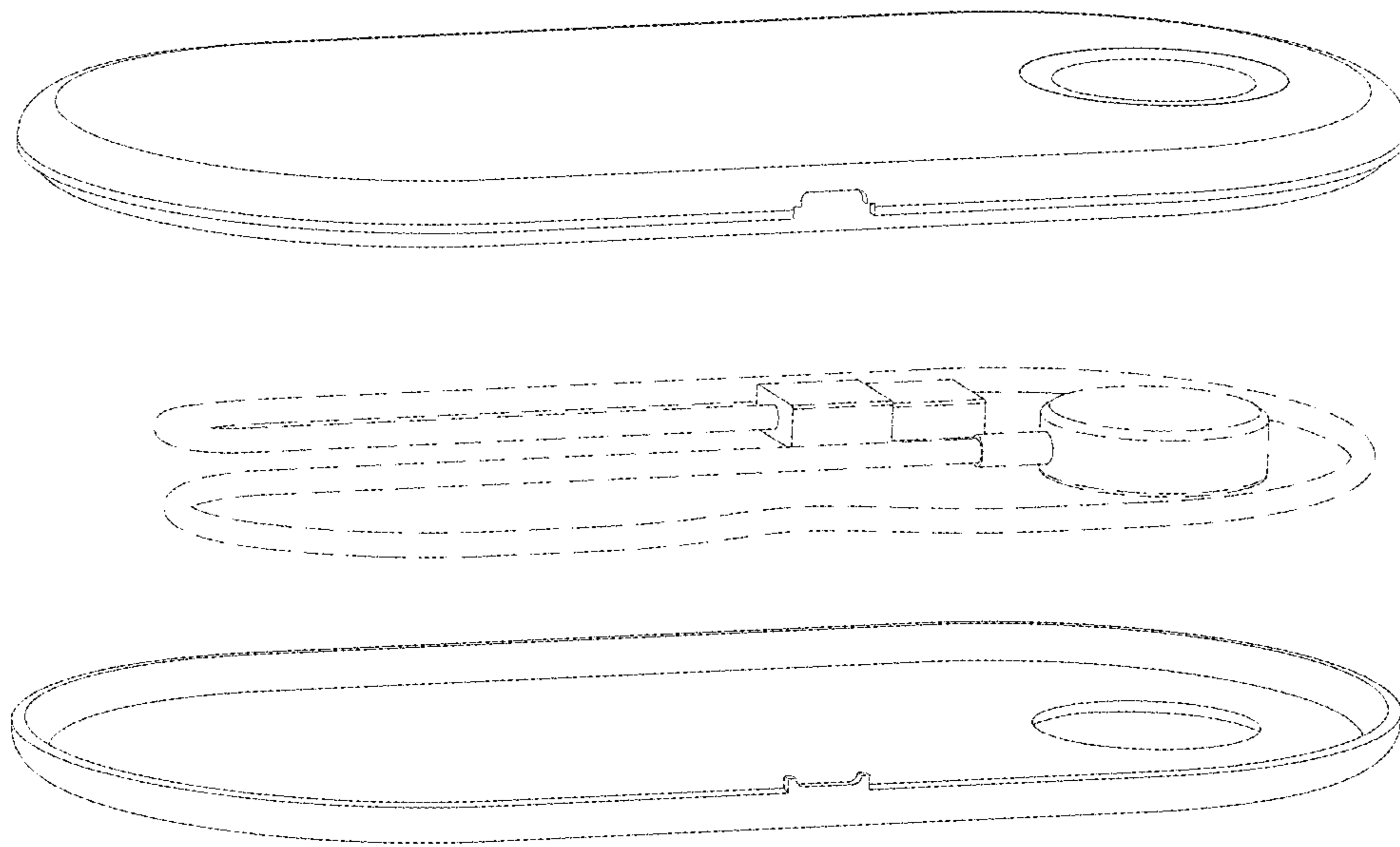


FIG. 9