



US00D883200S

(12) **United States Design Patent**
Wong et al.

(10) **Patent No.:** **US D883,200 S**

(45) **Date of Patent:** **** May 5, 2020**

(54) **CHARGER FOR A POWERED BRUSH HANDLE**

(71) Applicant: **L’Oreal USA Creative, Inc.**, New York, NY (US)

(72) Inventors: **Suk P. Wong**, Sammamish, WA (US); **Scott W. Straka**, Kirkland, WA (US); **Christopher Kuh**, San Francisco, CA (US); **Sang Ik Lee**, San Francisco, CA (US)

(73) Assignee: **L’Oréal USA Creative, Inc.**, New York, NY (US)

(**) Term: **15 Years**

(21) Appl. No.: **29/646,308**

(22) Filed: **May 3, 2018**

(51) **LOC (12) Cl.** **13-02**

(52) **U.S. Cl.**
USPC **D13/108**

(58) **Field of Classification Search**
USPC D13/107–110, 118–119, 184; D14/251, D14/253, 432, 434
CPC Y02E 60/12; Y02T 90/14; Y02T 90/122; Y02T 90/128; Y02T 90/163; H02J 7/025; H02J 7/0042; H02J 7/0044; H02J 7/0045; H02J 7/0003; H01F 38/14; H01M 2/1022; H01M 2/1055; H01M 10/44; H01M 10/46; H01M 10/425; B60L 11/182; H01R 13/6675

See application file for complete search history.

(56) **References Cited**

U.S. PATENT DOCUMENTS

D422,556 S * 4/2000 Okura D13/107
D433,992 S * 11/2000 Luecke D13/108

D460,971 S * 7/2002 Sica D14/434
D466,700 S * 12/2002 Richmond D13/108
D471,578 S * 3/2003 Okuley D13/108
D516,022 S * 2/2006 Winkler D13/108
D516,023 S * 2/2006 Quinn D13/108
D516,025 S * 2/2006 Quinn D13/108
D524,282 S * 7/2006 Beasley D13/108
D562,762 S * 2/2008 Saddlemire D13/108
D576,547 S * 9/2008 Kling D13/108
D580,855 S * 11/2008 Haspil D13/108
D594,407 S * 6/2009 Chon D13/108
D597,939 S * 8/2009 Tkachuk D13/108
D601,497 S * 10/2009 Aglassinger D13/107
D621,347 S * 8/2010 Aulwes D13/108
D763,263 S * 8/2016 Wierenga D14/434
D786,789 S * 5/2017 Jordan D13/108
D798,808 S * 10/2017 Ptok D13/108
D855,563 S * 8/2019 Brennan D13/108

(Continued)

Primary Examiner — Rosemary K Tarcza

(74) *Attorney, Agent, or Firm* — Christensen O’Connor Johnson Kindness PLLC

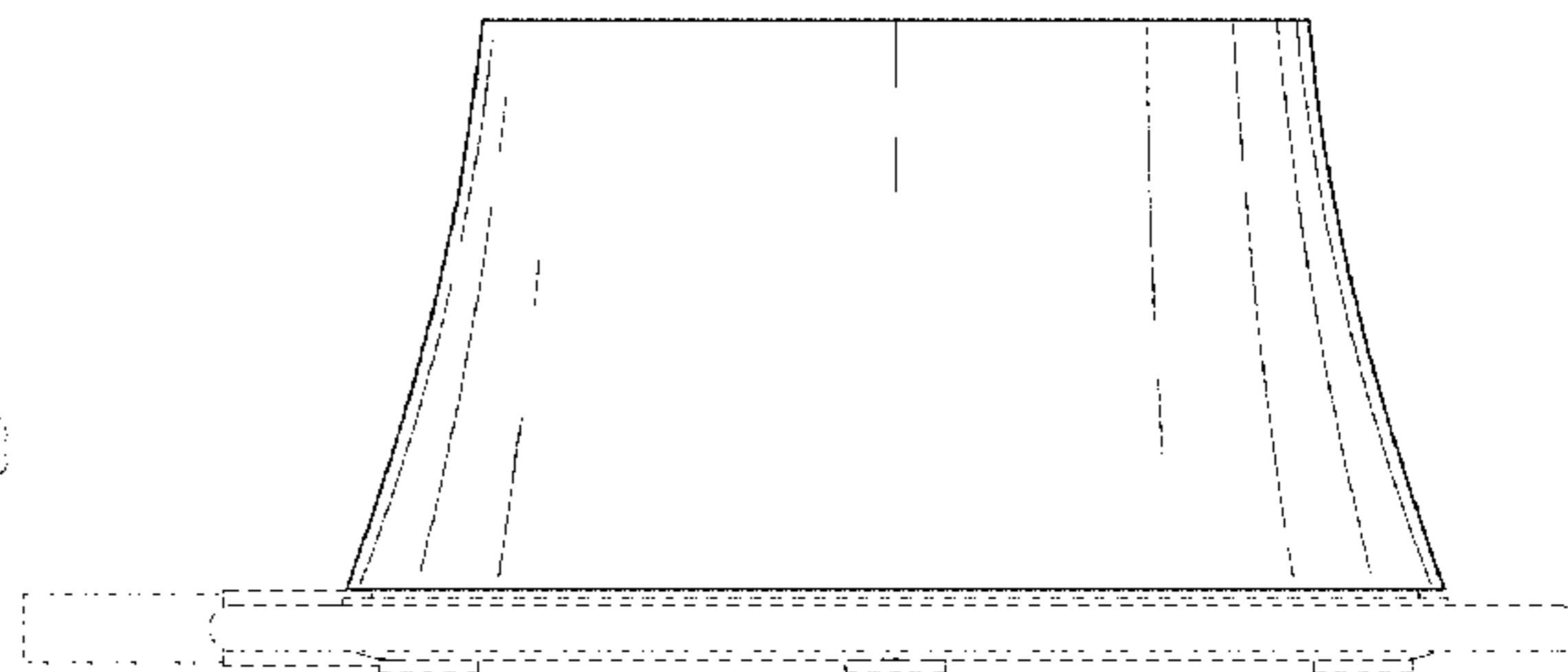
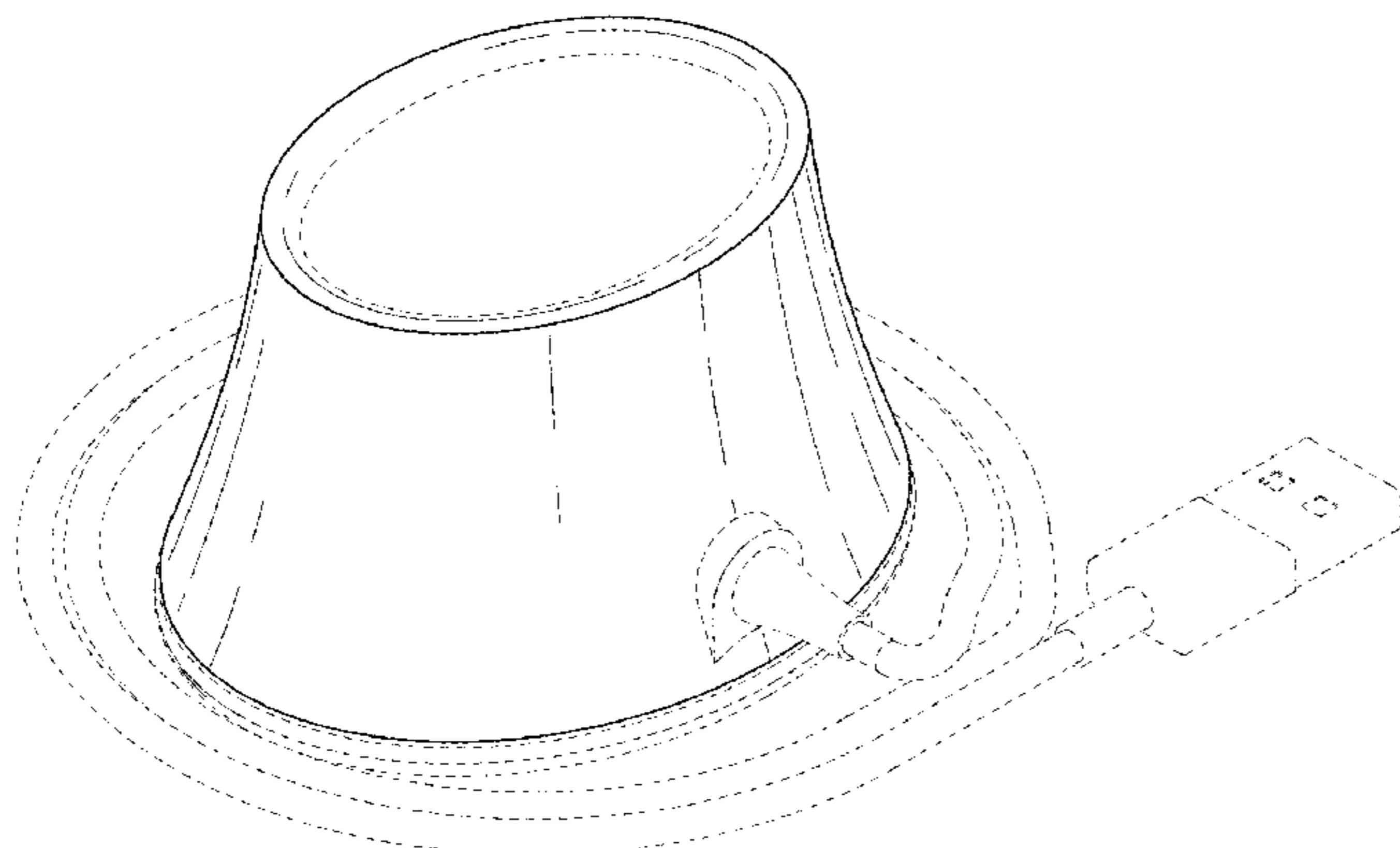
(57) **CLAIM**

The ornamental design for a charger for a powered brush handle, as shown and described.

DESCRIPTION

FIG. 1 is a top front right perspective view of a charger for a powered brush handle in accordance with our new design; FIG. 2 is a front elevation view thereof; FIG. 3 is a rear elevation view thereof; FIG. 4 is a top plan view thereof; FIG. 5 is a bottom plan view thereof; FIG. 6 is a left side elevation view thereof; FIG. 7 is a right side elevation view thereof; and, FIG. 8 is a bottom rear right perspective view thereof. The broken lines shown in the drawings illustrate portions of the charger for a powered brush handle that form no part of the claimed design.

1 Claim, 6 Drawing Sheets



(56)

References Cited

U.S. PATENT DOCUMENTS

D855,564 S * 8/2019 Brennan D13/108
D858,438 S * 9/2019 Levy D13/108

* cited by examiner

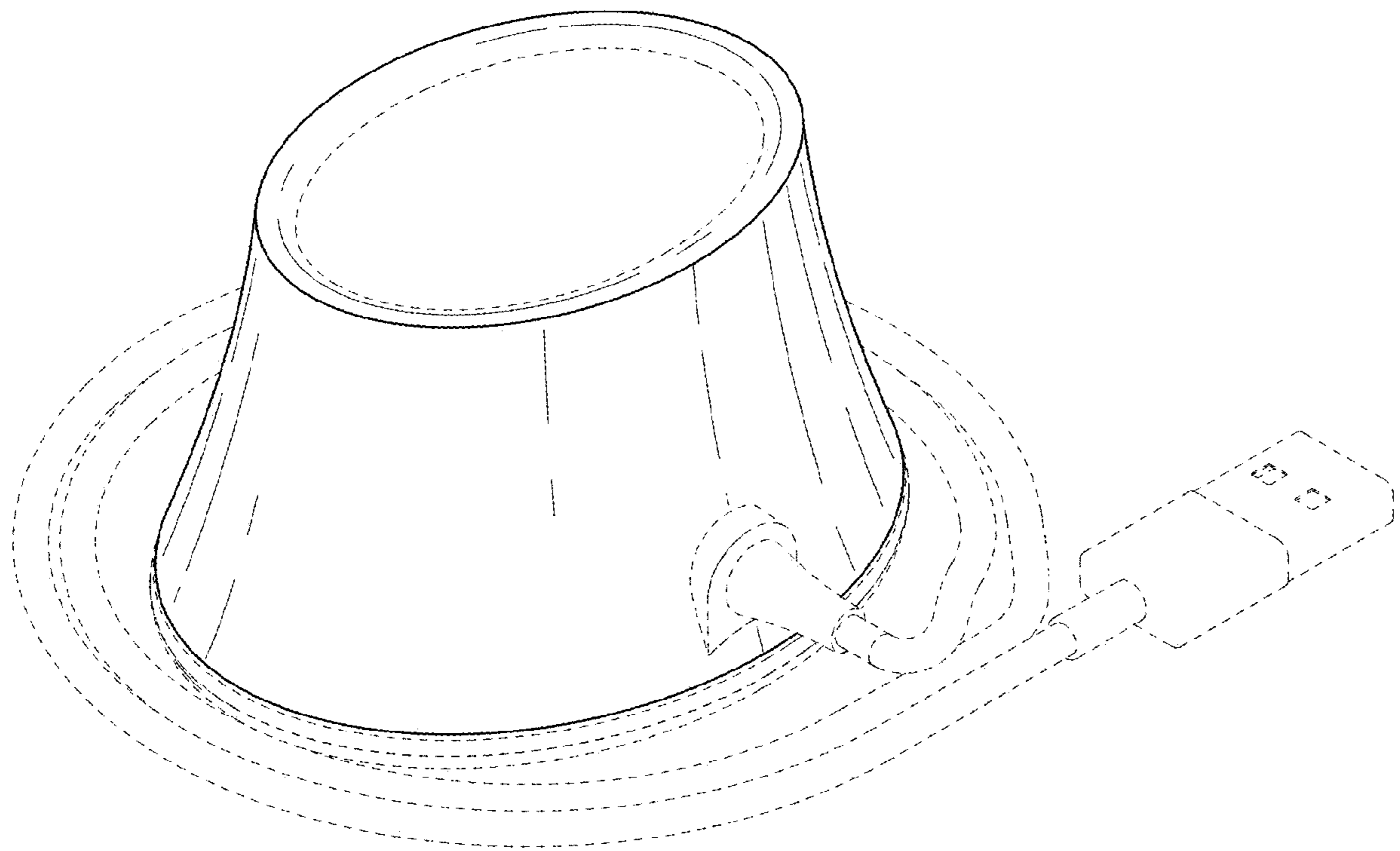


Fig. 1.

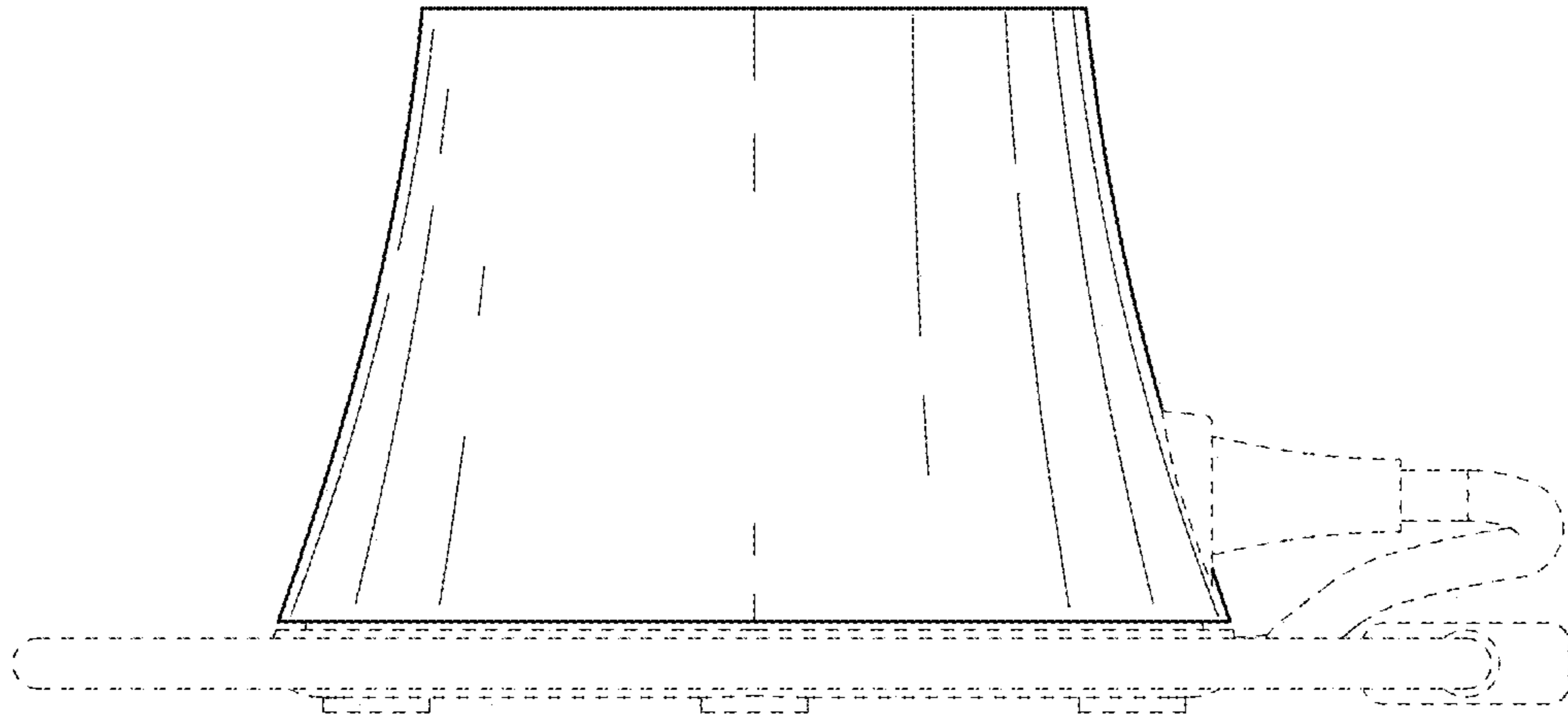


Fig. 2.

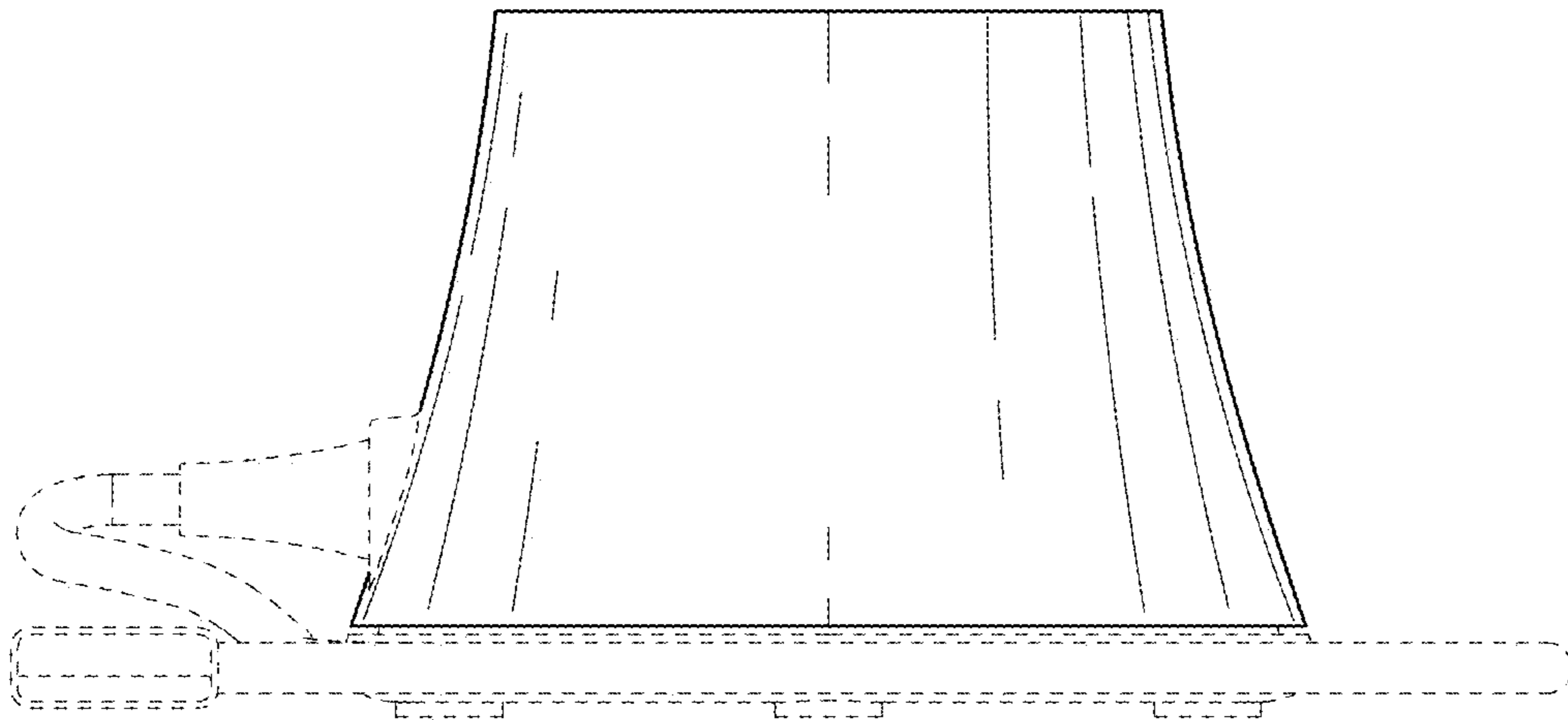


Fig. 3.

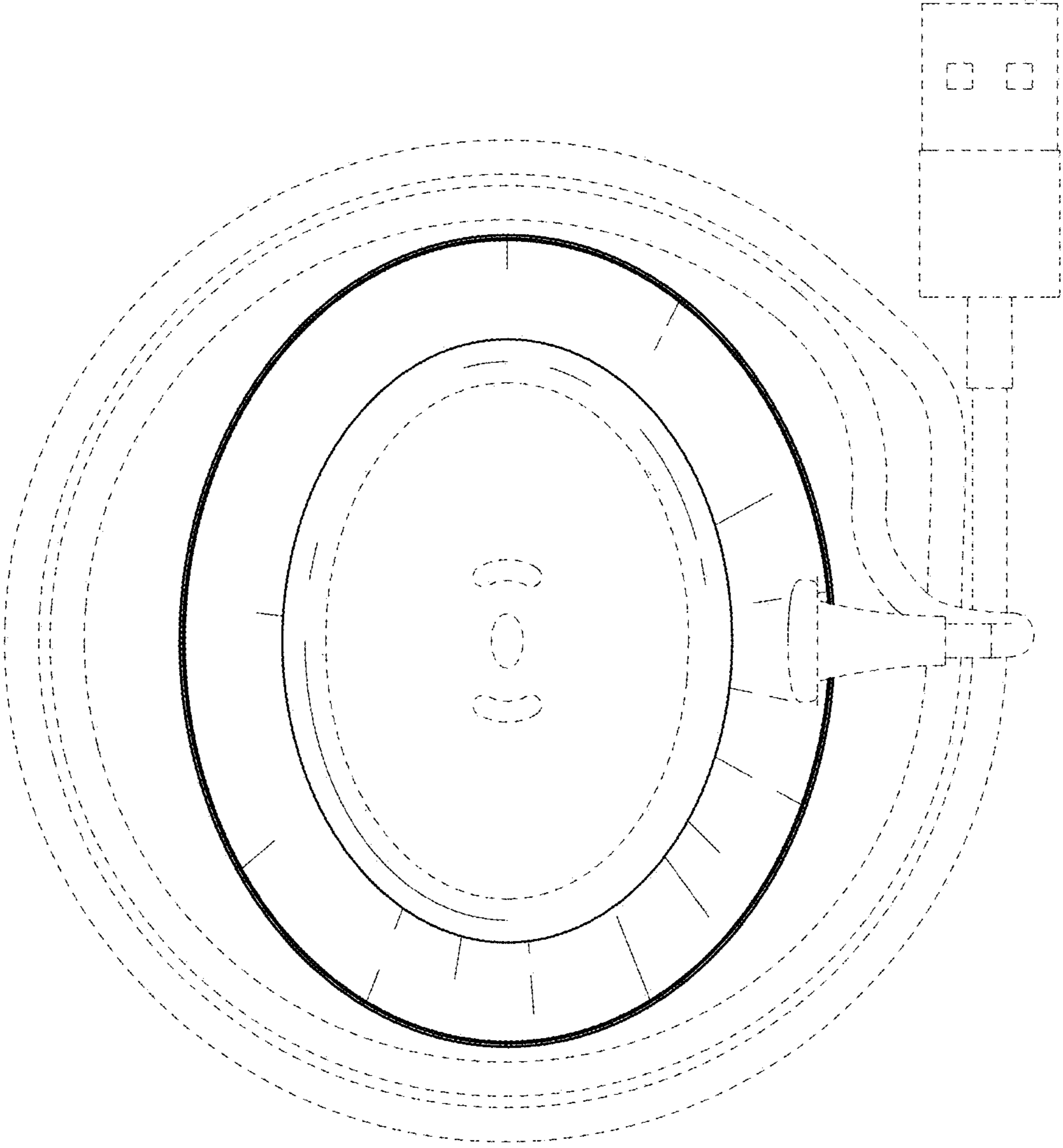


Fig. 4.

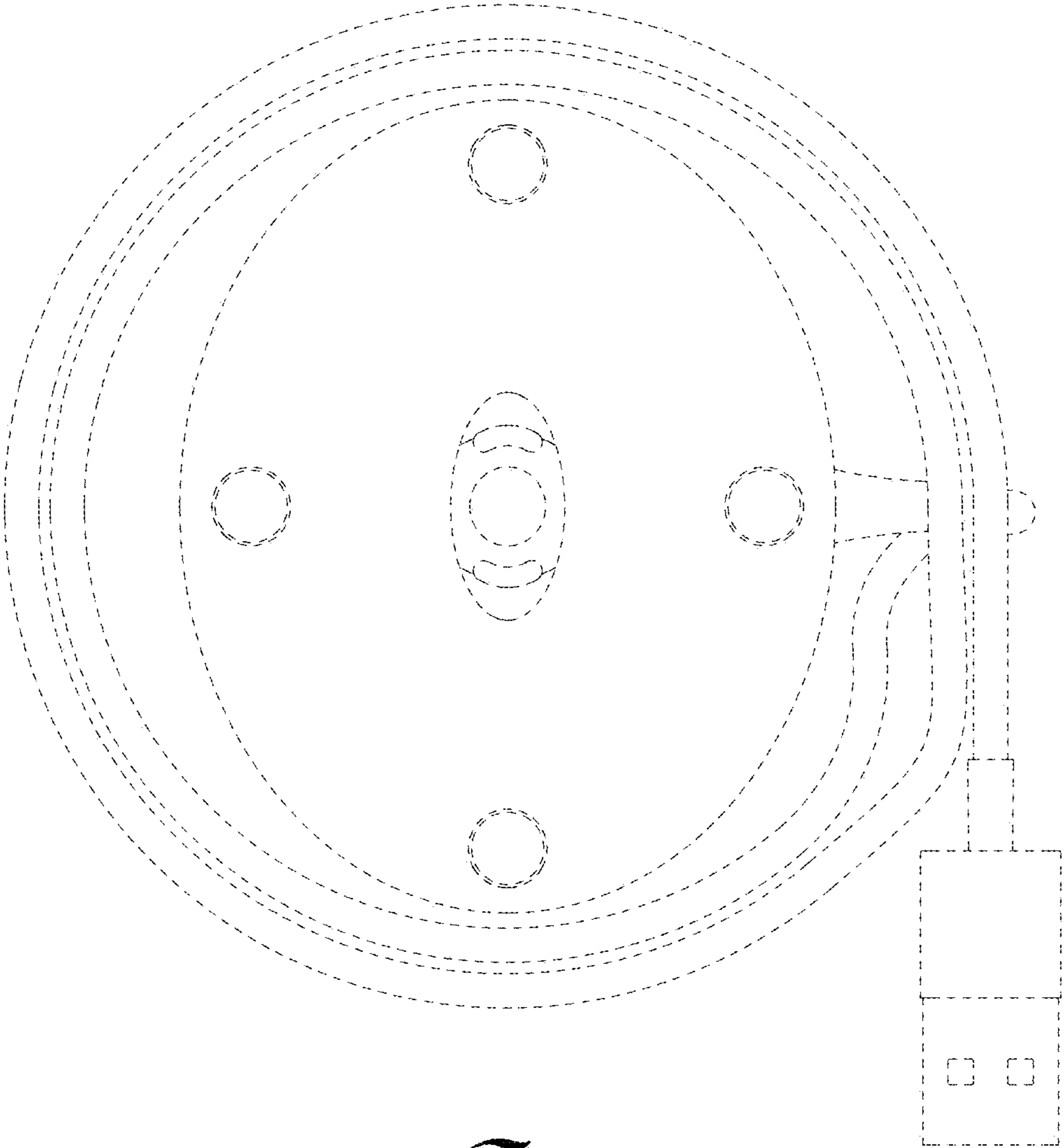


Fig. 5.

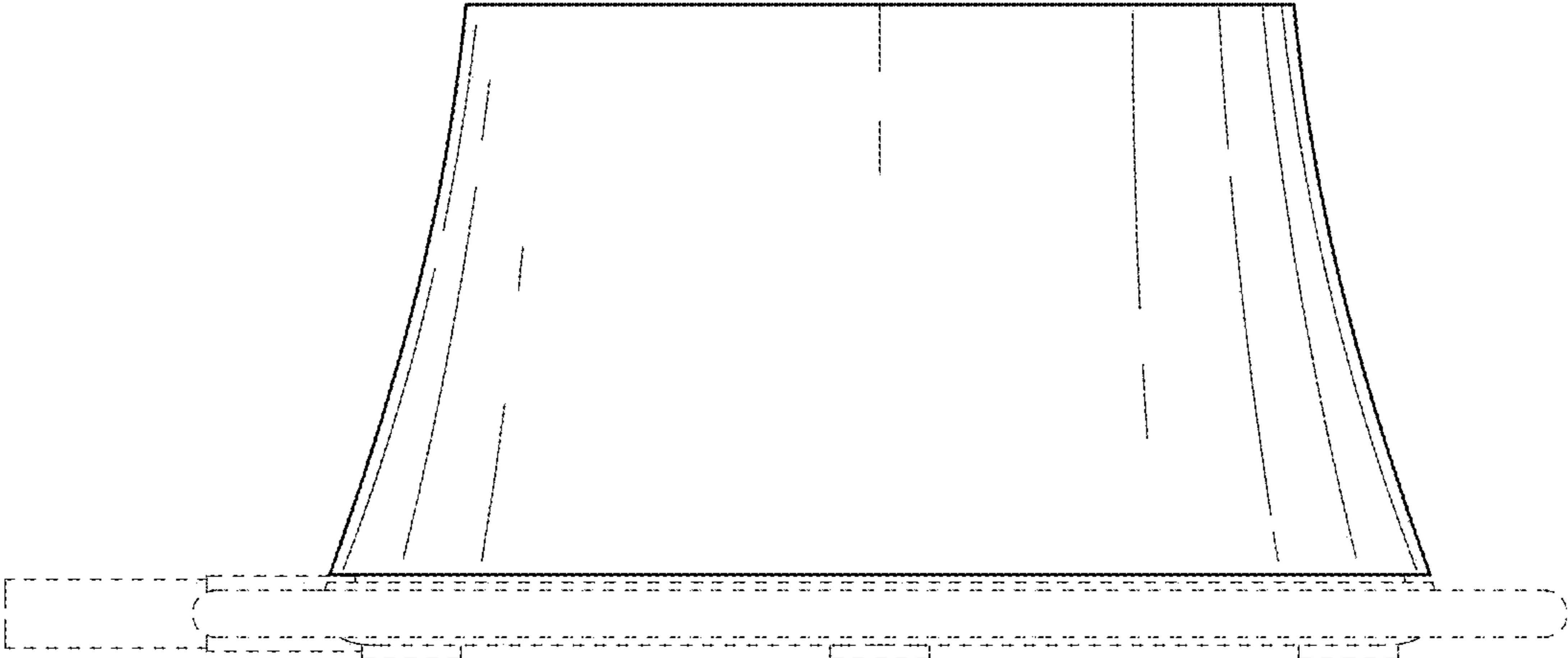


Fig. 6.

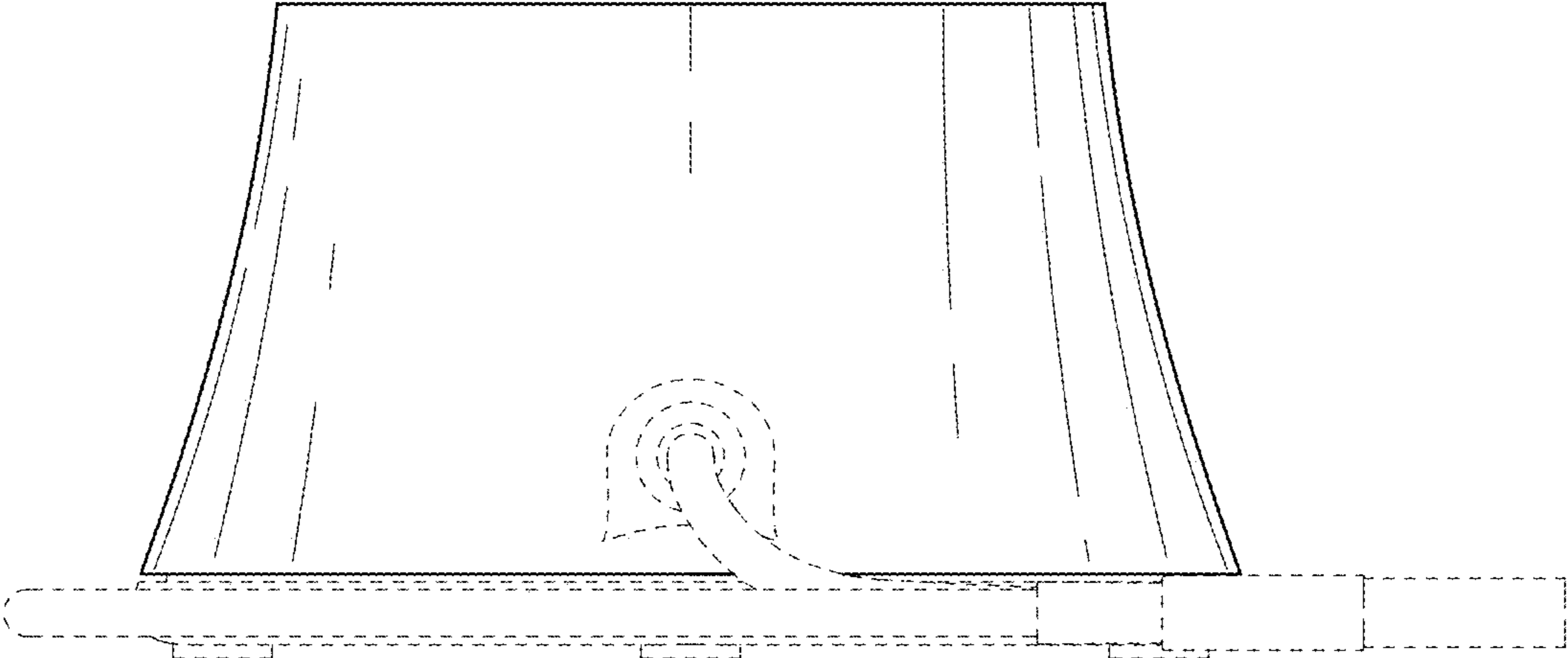


Fig. 7.

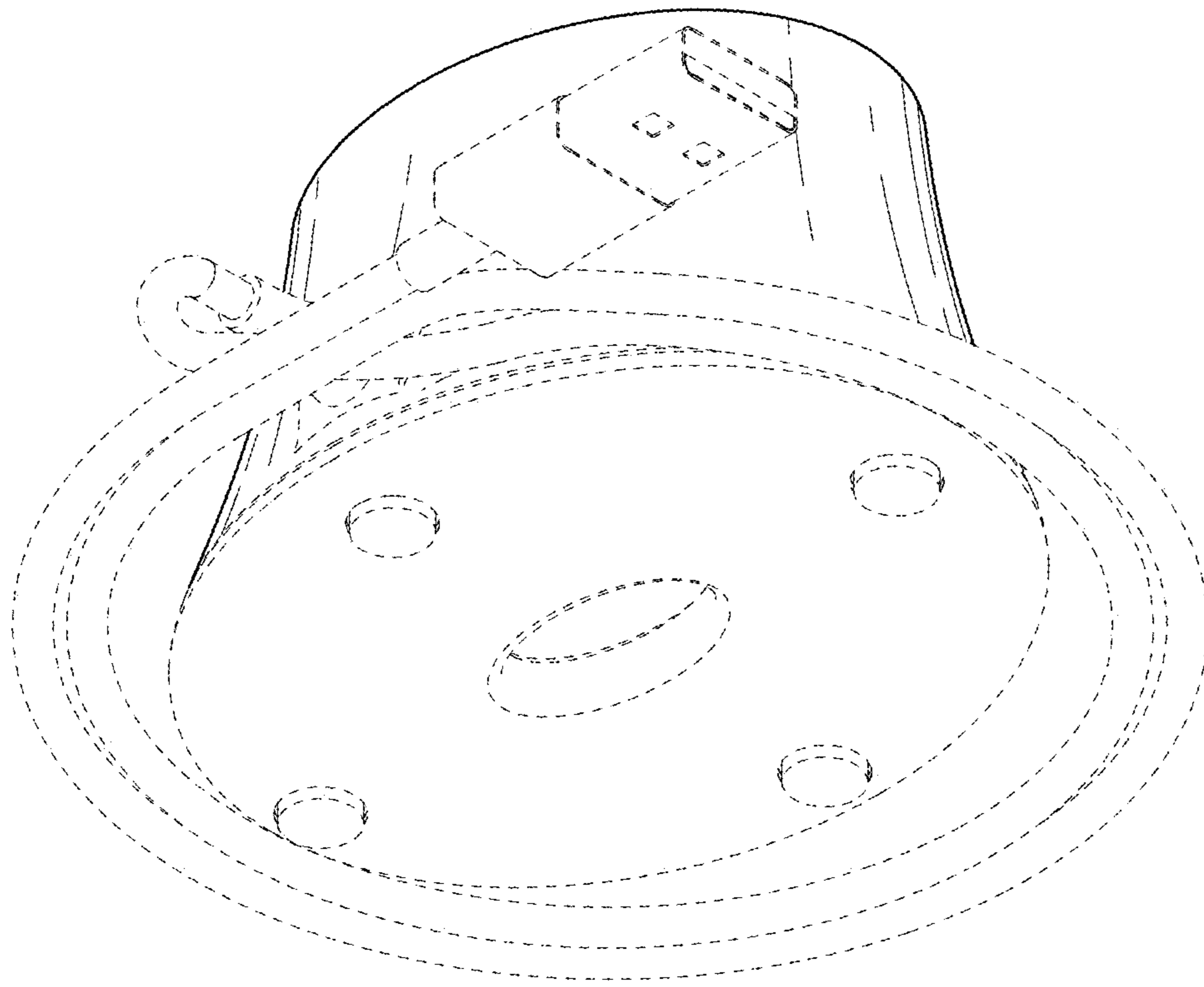


Fig. 8.