



US00D883199S

(12) **United States Design Patent** (10) **Patent No.:** **US D883,199 S**
Santander et al. (45) **Date of Patent:** **** May 5, 2020**

(54) **CHARGING STATION**

(71) Applicant: **Volta Charging, LLC**, San Francisco, CA (US)

(72) Inventors: **Christian Julio Santander**, Bad Reichenhall (DE); **Marco Wilhelm**, Salzburg (AT); **Julian Schloemer**, Salzburg (AT)

(73) Assignee: **VOLTA CHARGING, LLC**, San Francisco, CA (US)

(**) Term: **15 Years**

(21) Appl. No.: **29/711,555**

(22) Filed: **Oct. 31, 2019**

Related U.S. Application Data

(63) Continuation of application No. 29/691,015, filed on May 13, 2019.

(51) **LOC (12) Cl.** **13-02**

(52) **U.S. Cl.**
USPC **D13/107**

(58) **Field of Classification Search**
USPC D13/103, 107-108, 110, 118, 184, 199, D13/133
CPC H02J 7/02; H02J 7/0013; H02J 7/0021; H02J 7/0022; H02J 7/0026; H02J 7/0027; H02J 7/0042; H02J 7/0044; H02J 7/0045; H02J 7/0003; H02J 2310/48; H01M 10/44; H01M 10/441

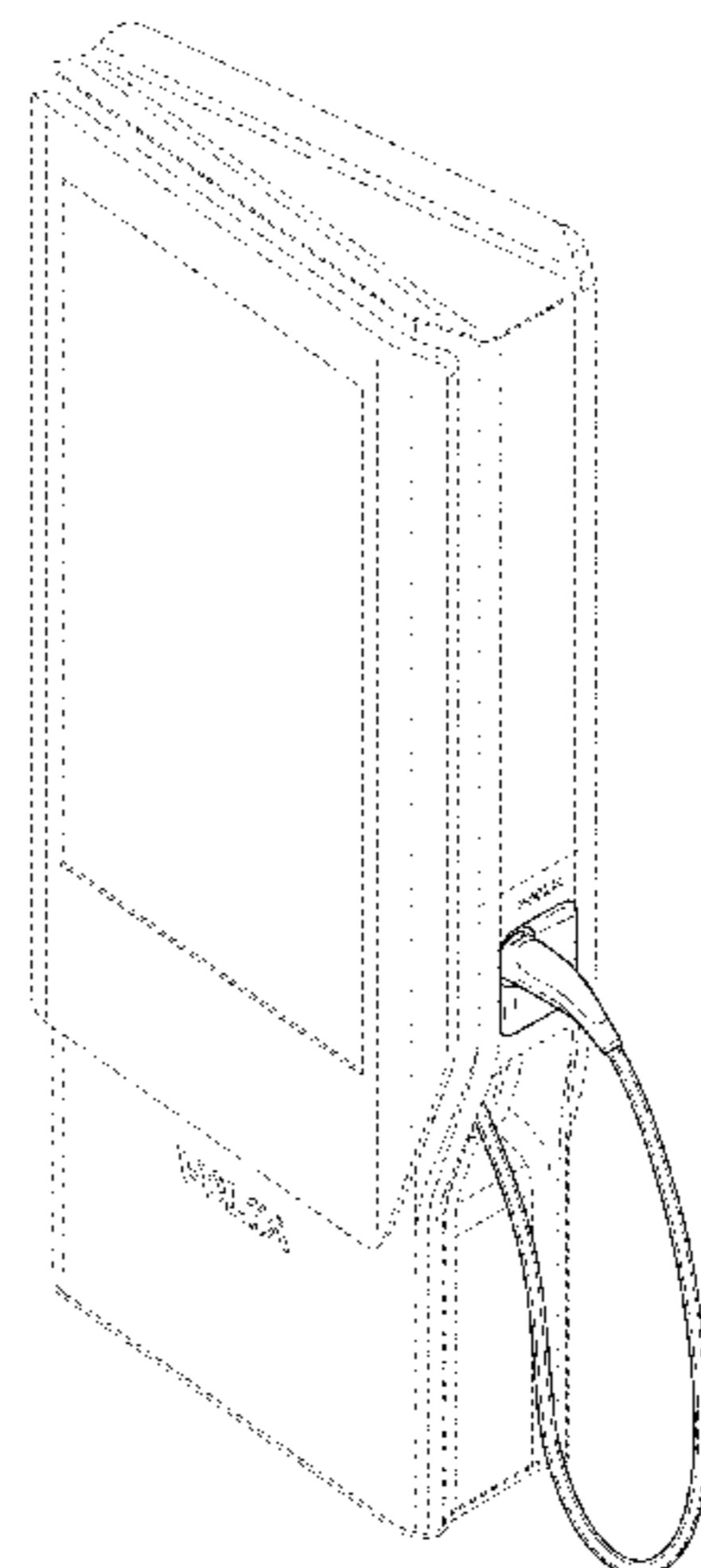
See application file for complete search history.

References Cited

U.S. PATENT DOCUMENTS

D273,580 S 4/1984 Riumbau
D459,234 S 6/2002 Bourque et al.
D507,813 S 7/2005 Gillard
D542,849 S 5/2007 Hill et al.
D603,337 S * 11/2009 Katou D13/120
D608,733 S 1/2010 Smith

D608,734 S 1/2010 Smith
D611,047 S 3/2010 Smith et al.
D613,683 S 4/2010 Baxter et al.
D618,168 S 6/2010 Baxter et al.
D618,204 S 6/2010 Andre et al.
D626,063 S 10/2010 Cutter et al.
D626,064 S 10/2010 Cutter et al.
D626,065 S 10/2010 Cutter et al.
D633,908 S 3/2011 Akana et al.
D634,709 S * 3/2011 Ichio D13/119
D637,553 S 5/2011 Shin
D637,595 S 5/2011 Mizusugi
D639,800 S 6/2011 Magruder
D644,218 S 8/2011 Akana et al.
D646,269 S 10/2011 Crick, Jr. et al.
D647,053 S 10/2011 Gotou et al.
D654,430 S 2/2012 Demers et al.
D654,857 S 2/2012 Salazar et al.
D654,858 S 2/2012 Salazar et al.
D654,860 S 2/2012 Holthusen
D654,861 S 2/2012 Holthusen
D655,242 S * 3/2012 Holthusen D13/107
D659,635 S 5/2012 Hou et al.
D659,641 S * 5/2012 Kreitzer D13/133
D663,270 S * 7/2012 Lyford D13/133
D663,692 S * 7/2012 Sebald D13/133
D664,086 S 7/2012 Chin-Ho Kim et al.
D664,087 S 7/2012 Chin-Ho Kim et al.
D664,089 S 7/2012 Chin-Ho Kim et al.
D667,378 S * 9/2012 Yamamoto D13/133
D667,793 S * 9/2012 Yamamoto D13/133
D669,033 S * 10/2012 Senk D13/133
D669,071 S 10/2012 Akana et al.
D670,651 S * 11/2012 Mori D13/133
D673,122 S * 12/2012 Huss, Jr. D13/133
D674,334 S 1/2013 Cutter et al.
D677,632 S * 3/2013 Riddle D13/133
D678,203 S * 3/2013 Corona D13/133
D679,652 S * 4/2013 Lecoanet D13/108
D683,307 S * 5/2013 Lecoanet D13/107
D688,199 S * 8/2013 Behar D13/107
D691,208 S 10/2013 Gorelick
D694,188 S * 11/2013 Ferguson D13/133
D696,658 S 12/2013 Winston et al.
D706,213 S * 6/2014 Titus D13/107
D708,572 S 7/2014 Hou et al.
D708,573 S 7/2014 Gieniec et al.
D708,574 S 7/2014 Gieniec et al.
D712,349 S 9/2014 Ahlgren
D720,285 S * 12/2014 Gilomen D13/107
D729,157 S * 5/2015 Gilomen D13/107
D729,158 S * 5/2015 Gilomen D13/107
D730,822 S * 6/2015 Chin-Ho Kim D13/107



D733,647	S	*	7/2015	Farrell	D13/107
D749,503	S		2/2016	Ferguson et al.	
D771,562	S		11/2016	Dolle	
D776,651	S		1/2017	Yates	
D777,101	S	*	1/2017	Shimada	D13/107
D778,818	S		2/2017	Bruining	
D783,596	S		4/2017	Payne et al.	
D788,098	S		5/2017	Thornton et al.	
D790,457	S		6/2017	Vargas et al.	
D795,193	S	*	8/2017	Huang	D13/133
D816,077	S		4/2018	Benic et al.	
D830,969	S		10/2018	Wang et al.	
D833,387	S		11/2018	Baxter et al.	
D838,668	S		1/2019	Westfall et al.	
D844,559	S		4/2019	Mercer et al.	
D850,438	S		6/2019	Koenigsnecht et al.	
D858,435	S		9/2019	Helnerus	
D858,512	S		9/2019	Angelopoulos et al.	
D864,108	S	*	10/2019	Ito	D13/107
D868,687	S		12/2019	de Silva et al.	
D872,687	S	*	1/2020	Mortun	D13/107
2010/0296234	A1		11/2010	Crick, Jr.	
2011/0145141	A1		6/2011	Blain	
2012/0181984	A1		7/2012	Okabayashi et al.	
2012/0262112	A1		10/2012	Ross	
2013/0069588	A1		3/2013	Oda et al.	
2013/0207606	A1		8/2013	Ranga et al.	

OTHER PUBLICATIONS

Parsons, Sarah. "France Announces \$2.2 Billion Electric Car Charging Network." [retrieved on Dec. 28, 2012]. Retrieved from the Internet: <www.google.com/imgres?q=electric-vehicle+Fcharging+stations&num=10&um=1&hl=en&tbo=d&biw=1440&bih=783&tbnid=QfP2cslOfm0K2MAimgrefurl=http://inhabitat.com/massachusetts-set-to-install-100-ev-charging-stations/&docid=NKQtedu9SWSKBM&imgurl=http://assets.inhabitat.com/wp-content/uploads/>.

Bloomfield, Nikki Gordon. "Need an Electric Car Charging Station at Work? Here's One for Free." [retrieved Nov. 7, 2012]. Retrieved from the Internet: <www.google.com/imgres?q=electric+vehicle+Fcharging+stations&start=22&num=10&um=1&hl=en&tbo=d&biw=1440&bih=783&tbnid=njkABlvYoMe0IM:&imgrefurl=http://www.greencarreports.com/news/1079118_need-an-electric-car-charging-station-at-work-heres-one-for-free&docid=7ywn-IMbSk0AgM&imgurl=http://images.thecarconnection.com/smUchargepoint_100182292_s_n>.

"Smart Grids, Fast Charging—Infrastructure for Electric Car." [retrieved on Nov. 7, 2012]. Retrieved from the Internet: <www.google.com/imgres?q=electric+vehicle+charging+stations&start=20&num=10&um=1&hl=en&tbo=d&biw=1440&bih=783&tbnid=f4piNYxrLOy80M:&imgrefurl=http://www.impactlab.net/2008/07/28/smart-grids-fast-charging-infrastructure-for-electric-cars/&docid=3pBfeFH7Jg9mM&imgurl=http://www.impactlab.com/wp-content/uploads/2008/07/charging-station-london>.

"EV News: first hotel to install electric car charging station for guests." [retrieved on Nov. 7, 2012]. Retrieved from the Internet: <www.google.com/imgres?q=electric+vehicle+Fcharging+stations&start=307&num=10&um=1&hl=en&tbo=d&biw=1440&bih=783&tbnid=78HBWHajq0_ydM:&imgrefurl=http://www.examiner.com/article/ev-news-first-hotel-to-install-electric-car-charging-station-for-guests&docid=Hv6RWgv08bpOOM&imgurl=http://www.examiner.com/images/blog/wysiwyg/image/>.

"EV Charging Station, Volta—Honolulu, Hawaii." [retrieved on Dec. 30, 2012]. Retrieved from the Internet: <www.google.com/imgres?q=electric+vehicle-Fcharging+stations&start=307&num=10&um=1&hl=en&tbo=d&biw=1440&bih=783&tbnid=78HBWHajq0_ydM:&imgrefurl=http://www.examiner.com/article/ev-news-first-hotel-to-install-electric-car-charging-station-for-guests&docid=Hv6RWgv08bpOOM&imgurl=http://www.examiner.com/images/blog/wysiwyg/image/>.

Buffalo Niagara Medical Campus. "Electric Vehicle Charging Stations Installed Across Campus." [retrieved on Dec. 30, 2012]. Retrieved from the Internet: <www.google.com/imgres?q=electric

+vehicle-Fcharging+stations&start=554&um=1&hl=en&tbo=d&biw=1440&bih=783&tbnid=5QoChyg4wMwOeM:&imgrefurl=http://www.bnmc.org/electric-vehicle-charging-stations-installed-across-campus/&docid=V1NctdKztXxtKM&imgurl=http://www.bnmc.org/wp-content/uploads/charging-stations>.

"Electric-Vehicle Charging Stations Available at ACC Campuses." [retrieved Dec. 30, 2012]. Retrieved from the Internet: <www.google.com/imgres?q=electnc+vehicle+charging+stafions&start=738&um=1&hl=en&tbo=d&biw=1440&bih=783&tbnid=BCVZxvxp_xJfmM:&imgrefurl=http://Mnsideacc.ausfincc.edu/index.php/2012/01/13/electric-vehicle-charging-stafions-available-at-acc-campuses/&docid=WIRnei31J_vhM&imgurl=http://insideacc.austfincc.edu/wp-content/uploads/HBC-Charging-Station>.

LinkPHL Digital Kiosks. "Philly now has a free digital WiFi, charging, information kiosk on Market Street", Emily Rolon, Dec. 11, 2018 [retrieved Apr. 15, 2019]. <https://www.phillyvoice.com/philly-linkphl-kiosks-free-digital-wifi-market-street-septa/>.

Stewart, Douglas. "On the Same Day . . . DOE Ramps up Electric Vehicle Information; Costco removes EV chargers "No one uses" them." [retrieved on Nov. 7, 2012]. Retrieved from the Internet: <www.google.com/imgres?q=electric+vehicle+charging+stations&num=10&um=1&hl=en&tbo=d&biw=1440&bih=783&tbnid=fy1RBjOdzLlWDM:&imgrefurl=http://ameristroika.wordpress.com/2011/08/30/on-the-same-day-doe-ramps-up-electric-vehicle-information-costco-removes-ev-chargers-no-one-uses-them/&docid=z4L5TL-rLf6I2M&imgurl=http://ameristroika.files.wordpress.com/2011/08/ev-recharging-station1>.

Parsons, Sarah. "France Announces \$2.2 Billion Electric Car Charging Network." [retrieved on Feb. 28, 2012]. Retrieved from the Internet: <www.google.com/imgres?q=electric+vehicle-Fcharging+stations&num=10&um=1&hl=en&tbo=d&biw=1440&bih=783&tbnid=QfP2cslOfm0K2MAimgrefurl=http://inhabitat.com/massachusetts-set-to-install-100-ev-charging-stations/&docid=NKQtedu9SWSKBM&imgurl=http://assets.inhabitat.com/wp-content/uploads/>.

Smartlet Coulomb Charging Station. [retrieved Nov. 7, 2012]. Retrieved from the Internet: <www.google.com/imgres?q=electnc+vehicle+charging+stations&num=10&um=1&hl=en&tbo=d&biw=1440&bih=783&tbnid=QfP2cslOfm0K2MAimgrefurl=http://news.cnet.com/8301-11128_3-10167445-54.html&docid=CWP1h-N1014k3M&imgurl=http://news.cnet.com/i/bto/20090219/smartlet_Coulomb_charging_station-cityhall_270x407.jpg&w=270&h=407&ei=DmWZUK6hMPOIOAGzx4DQBg&zoom=1&iact=hc&vpx=4&vpy=225&dur=5367&hovh=276&ln>.

Bloomfield, Nikki Gordon. "Need an Electric Car Charging Station at Work? Here's One for Free." [retrieved Nov. 7, 2012]. Retrieved from the Internet: <www.google.com/imgres?q=electric+vehicle-Fcharging+stations&start=22&num=10&um=1&hl=en&tbo=d&biw=1440&bih=783&tbnid=njkABlvYoMe0IM:&imgrefurl=http://www.greencarreports.com/news/1079118_need-an-electric-car-charging-station-at-work-heres-one-for-free&docid=7ywn-IMbSk0AgM&imgurl=http://images.thecarconnection.com/smUchargepoint_100182292_s_n>.

"Top 20 electric vehicle charging station companies." [retrieved Nov. 7, 2012]. Retrieved from the Internet: <www.google.com/imgres?q=electnc+vehicle+charging+stations&start=22&num=10&um=1&hl=en&tbo=d&biw=1440&bih=783&tbnid=Xkyb5eDD_qzaxM:&imgrefurl=http://www.evcarco.com/evcarco/2012/01/27/ev-industry-charing-station-trends-united-states/&docid=kQyau38F05amJM&imgurl=http://www.evcarco.com/evcarco/wp-content/uploads/2012/01/EV-Charging-Station-fast>.

"Singapore: Robert Bosch appointed to set up EV charging station infascture." [retrieved on Dec. 30, 2012]. Retrieved from the Internet: <www.google.com/imgres?q=electric+vehicle-Fcharging+stations&start=59&num=10&um=1&hl=en&tbo=d&biw=1440&bih=783&tbnid=zbLiKh-Op7OWnM:&imgrefurl=http://theenergycollective.com/sklowem/44983/singapore-robert-bosch-appointed-set-ev-charging-station-infrastructure&docid=LNEAMWierfHiDM&imgurl=http://lh5.ggpht.comL.BgmD4f1GMVc/TK_7eL5IPW1/AAAAAAAAAEeb>.

"EV Charging Station, Volta—Honolulu, Hawaii." [retrieved on Dec. 30, 2012]. Retrieved from the Internet: <www.google.com/imgres?q=electric+vehicle-Fcharging+stations&start=307&num=10&um=1&hl=en&tbo=d&biw=1440&bih=783&tbnid=78HBWHajq0_ydM:&imgrefurl=http://www.examiner.com/article/ev-news-first-hotel-to-install-electric-car-charging-station-for-guests&docid=Hv6RWgv08bpOOM&imgurl=http://www.examiner.com/images/blog/wysiwyg/image/>.

10&um=1&h1=en&tbo=d&biw=1440&bih=783&tbn=isch&tbnid=78HBWHajq0_ydM:&imgrefurl=http://www.examiner.com/article/ev-news-first-hotel-to-install-electric-car-charging-station-for-guests&docid=Hy6RWgv08bpOOM&imgurl=http://www.examiner.com/images/blog/wysiwyg/image/>.

Campus Life Services. "Charge your vehicle with us." [retrieved on Dec. 30, 2012]. Retrieved from the Internet: <www.google.com/imgres?q=electric+vehicle-Fcharging+stations&start=713&um=1&h1=en&tbo=d&biw=1440&bih=783&tbn=isch&tbnid=9kS7R5ujBHDTOM:&imgrefurl=http://campuslifeservices.ucst.edu/16.784&docid=YUOFyHbLzoddxMimgurl=http://campuslifeservices.ucsf.edu/upload/cls/body_images/EV_2_car_charge_unit300.jpg&w=300&h=400&ei=GmqZULy1LsSx0AG-4CoDA&zoom=1&iact=hc&vpx=595&vpy=11&dur=8286&hovh=259&hu>.

University of Maryland: The Department of Transportation Services. "About Electric Vehicle Charging Stations." [retrieved on Nov. 7, 2012]. Retrieved from the Internet: <http://www.google.com/imgres?q=electric+vehicle+charging+kiosk&um=1&h1=en&tbo=d&biw=813&bih=453&tbn=isch&tbnid=s6QZc2vv4M1g-MAimgrefurl=http://www.transportation.umd.edu/chargingstation.html&docid=DuYNDCLkGewXM&imgurl=http://www.transportation.umd.edu/images/charging-station.png&w=230&h=320&ei=dGuZUK3sL9060AGz9oHIDw&zoom=1&iact=hc&vpx=498&vpy=59&dur=3576&hovh=256Ma>.

Moon, Jade. "Getting an EV Charge for Free." [retrieved on Dec. 30, 2012]. Retrieved from the Internet: <www.google.com/imgres?q=electric-Fvehicle+charging+kiosk&um=1&h1=en&tbo=d&biw=813&bih=453&tbn=isch&tbnid=spbpBxbTvGDwIM&imgrefurl=http://www.midweek.com/getting-an-ev-charge-for-free/&docid=Wh1DDUhKhM7U1M&imgurl=http://www.midweek.com/wp-content/uploads/2012/04/moon.jpg&w=300&h=199&ei=dGuZUK3sL9060AGz9oHIDw&zoom=1&iact=hc&vpx=4&vpy=185&dur=3366&hovh=159&hou>.

Electric Vehicle Kiosk. [retrieved on Nov. 7, 2012]. Retrieved from the Internet: <www.google.com/imgres?q=electric+vehicle+charging+kiosk&um=1&h1=en&tbo=d&biw=813&bih=453&tbn=isch&tbnid=19Qs24hR5V2XAM:&imgrefurl=http://article.wn.com/view/2012/

04/04/0pConnect_Leads_the_Way_With_Social_MediaEnabled_Electric_Ve/&docid=GswMh lig P_2aVM&imgurl=http://M.yimg.com/vi/Sd F4WoQqkYY/0.jpg&w=480&h=360&ei=dGuZUK3sL9060AGz9oHIDw&zoom=1&iact=hc&vpx=530&vpy=17&dur=10132&hovh=19441>.

* cited by examiner

Primary Examiner — Rosemary K Tarcza
(74) *Attorney, Agent, or Firm* — Morgan, Lewis & Bockius LLP

(57) **CLAIM**

The ornamental design for a charging station, as shown and described.

DESCRIPTION

FIG. 1 is a front perspective view of the charging station showing our new design;
FIG. 2 is a rear perspective view thereof;
FIG. 3 is a front elevational view thereof;
FIG. 4 is a rear elevational view thereof;
FIG. 5 is a left-side elevational view thereof;
FIG. 6 is a right side elevational view thereof;
FIG. 7 is a top plan view thereof; and,
FIG. 8 is a bottom plan view thereof.

The broken lines immediately adjacent to the shaded areas represent the bounds of the claimed design, while all other broken lines depict portions of the charging station that form no part of the claimed design; the broken lines form no part of the claimed design.

1 Claim, 6 Drawing Sheets

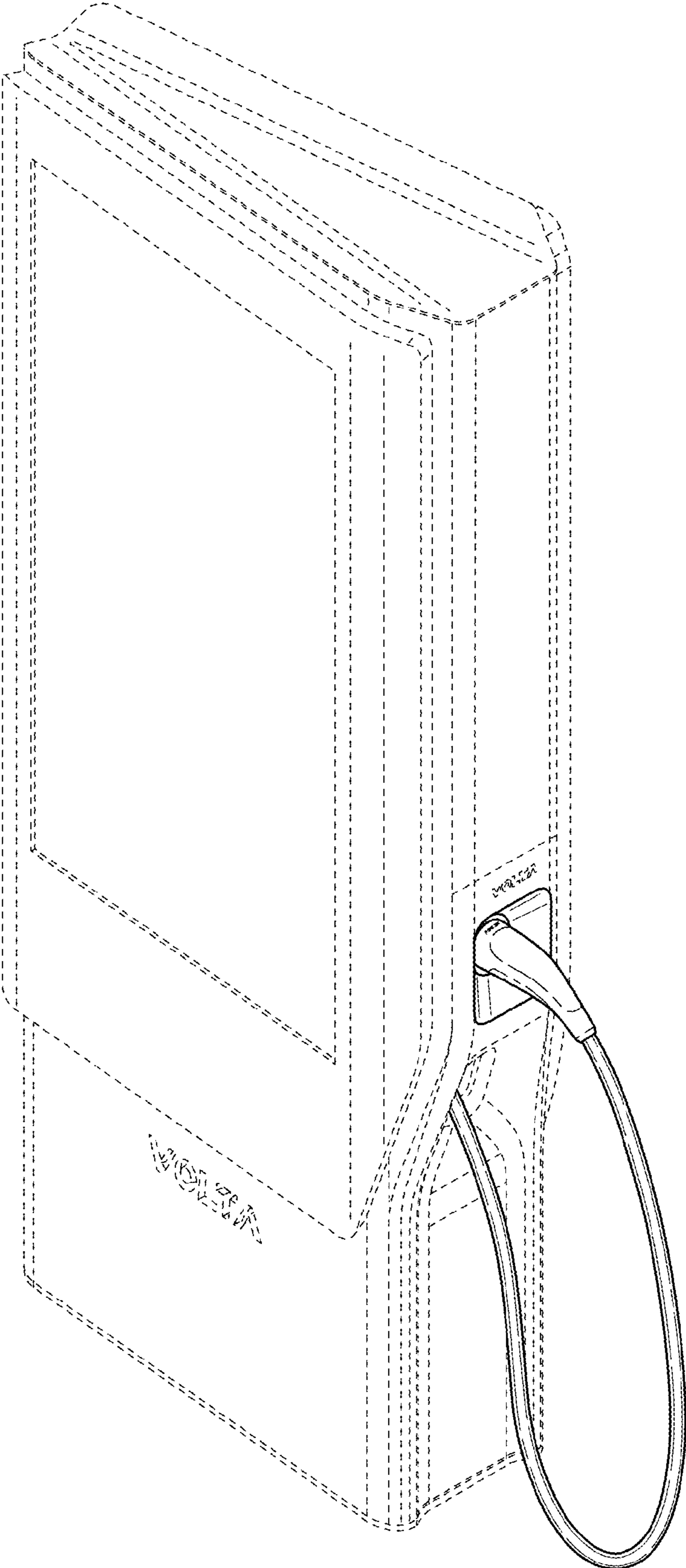


FIG. 1

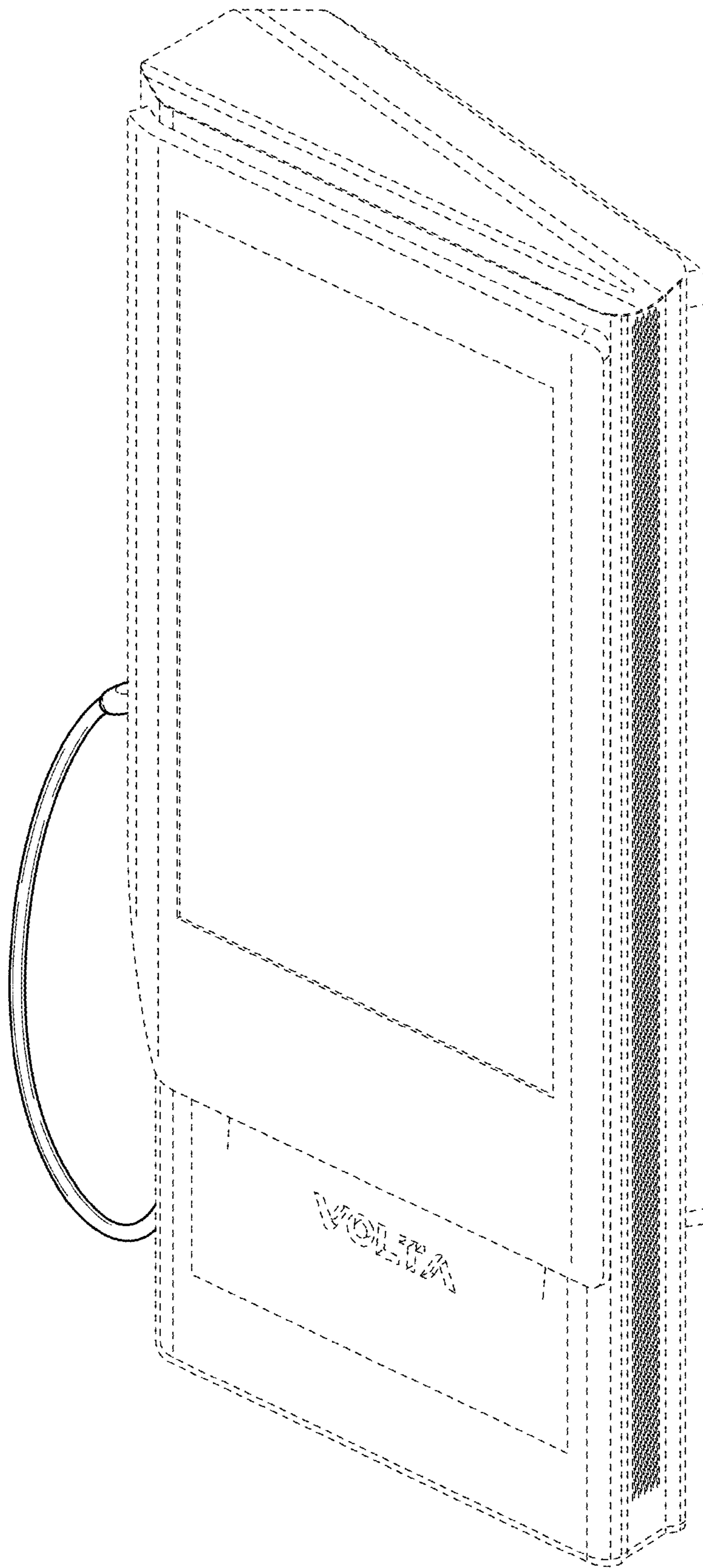


FIG. 2

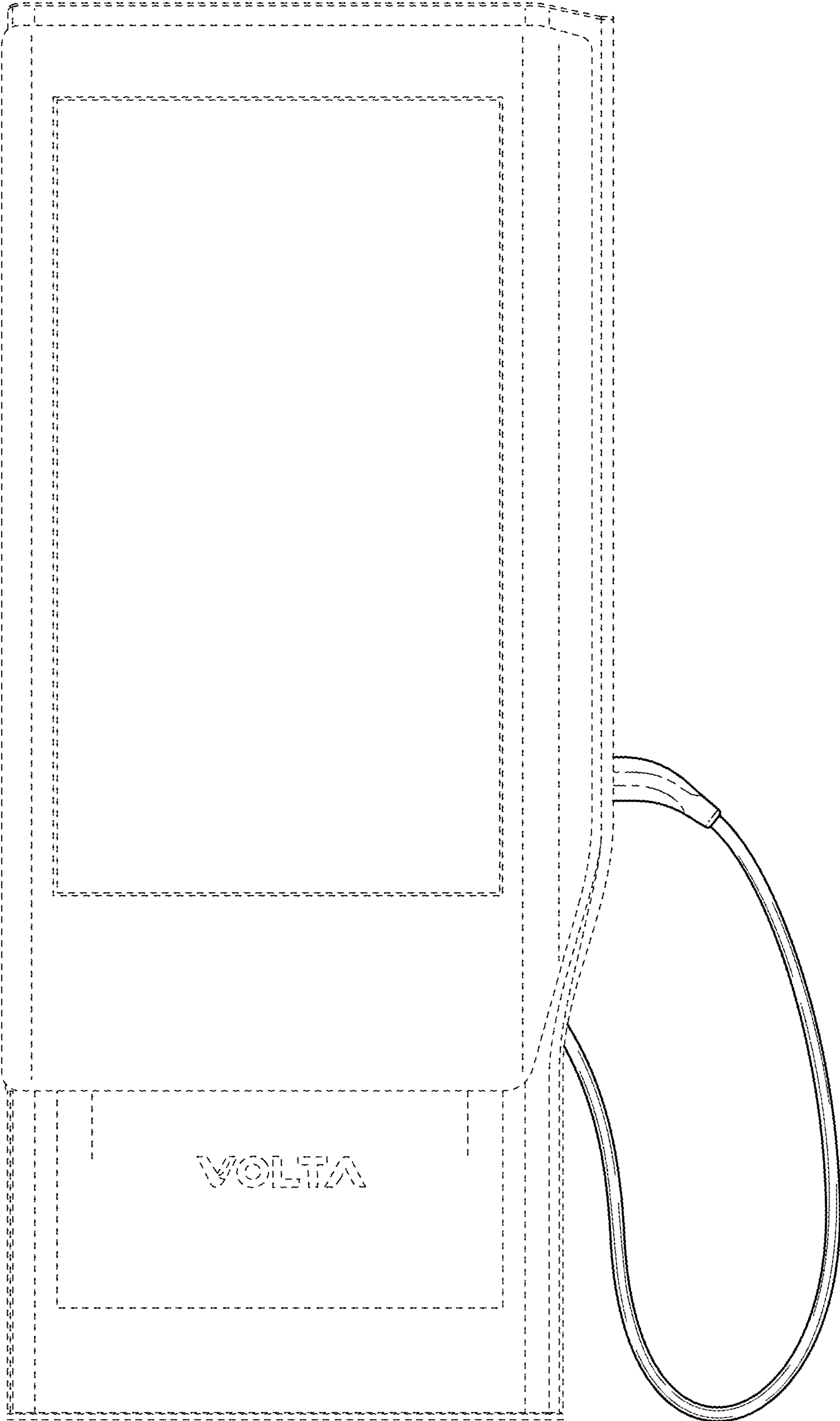


FIG. 3

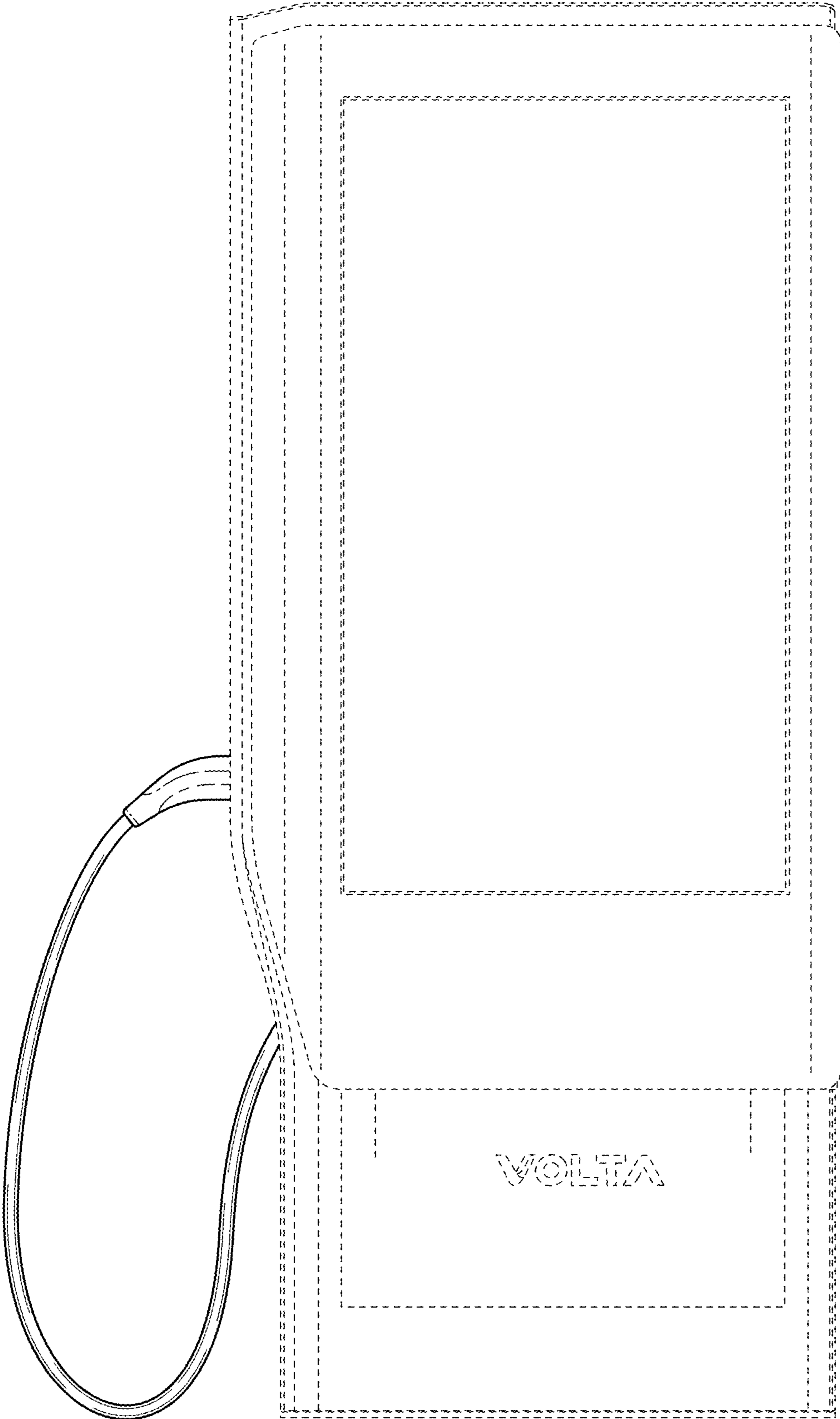


FIG. 4

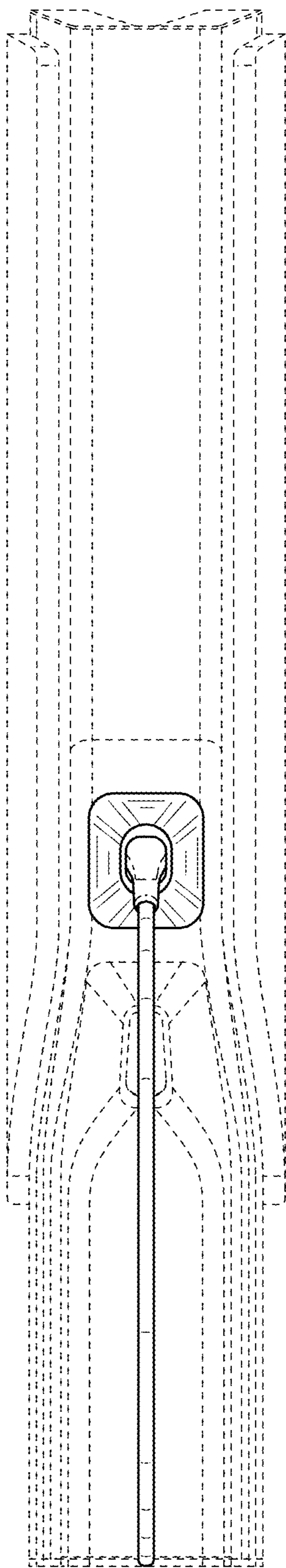


FIG. 5

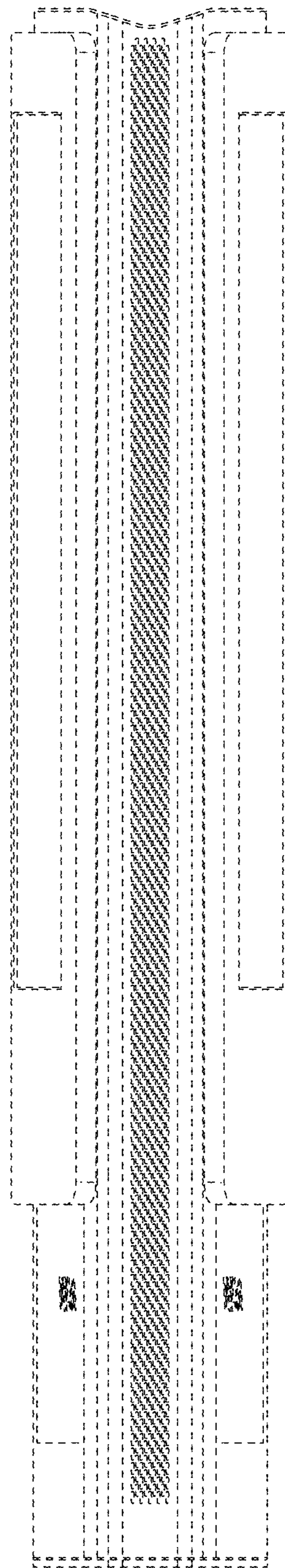


FIG. 6

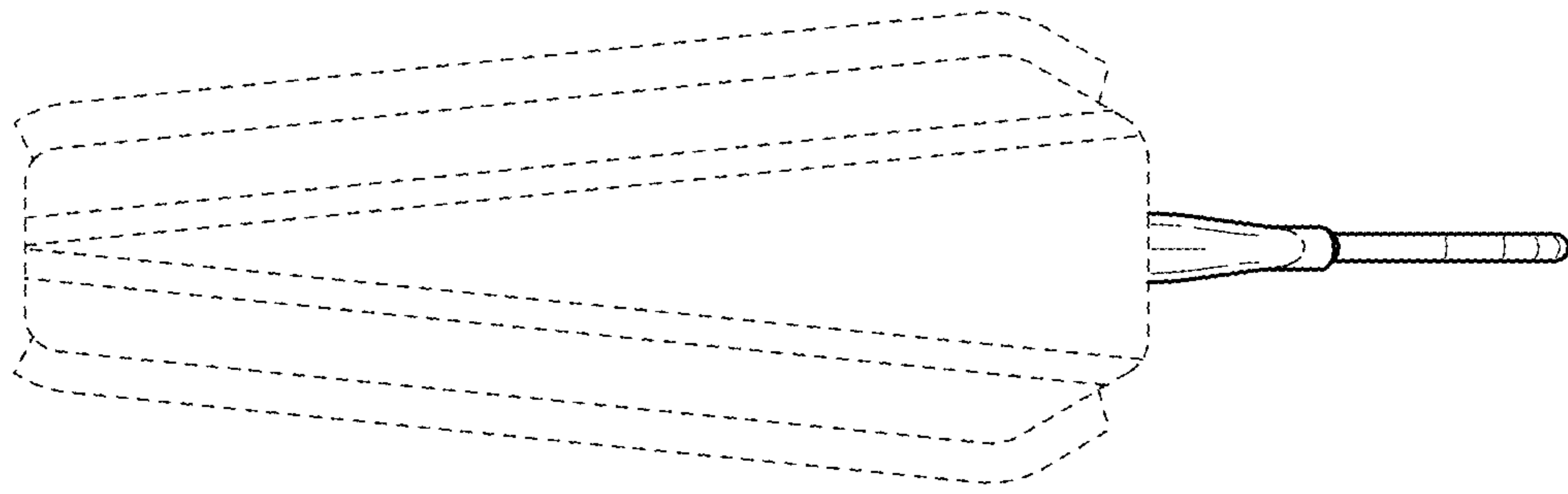


FIG. 7

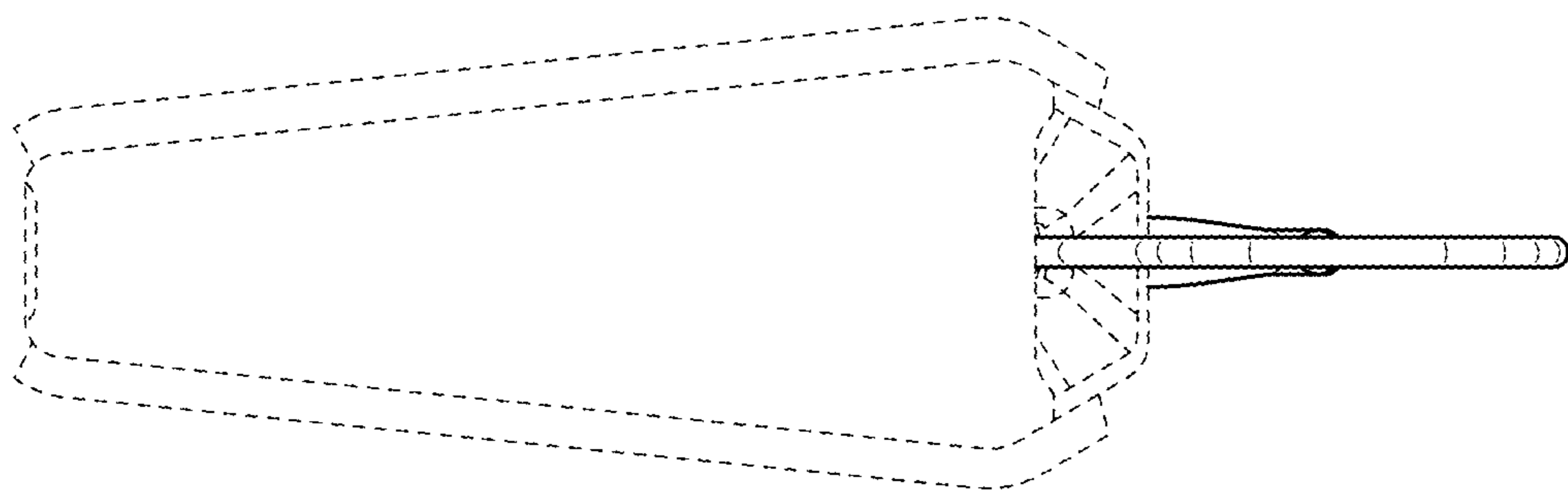


FIG. 8