



US00D883198S

(12) **United States Design Patent**
Zhang

(10) **Patent No.:** **US D883,198 S**

(45) **Date of Patent:** **** May 5, 2020**

(54) **CHARGER**

(71) Applicant: **Deyong Zhang**, Shenzhen (CN)

(72) Inventor: **Deyong Zhang**, Shenzhen (CN)

(73) Assignee: **SHENZHEN YONGMINSHANGDE TECHNOLOGY DEVELOPMENT CO., LTD.**, Shenzhen (CN)

(**) Term: **15 Years**

(21) Appl. No.: **29/668,523**

(22) Filed: **Oct. 31, 2018**

(51) **LOC (12) Cl.** **13-02**

(52) **U.S. Cl.**
USPC **D13/107**

(58) **Field of Classification Search**
USPC D13/103-110, 118, 119, 184, 199;
D14/251, 253, 432, 434
CPC Y02E 60/10; Y02E 60/12; Y02E 60/122;
Y02E 60/124; Y02E 60/50; H01M 2/02;
H01M 2/022; H01M 2/0202; H01M
2/0207; H01M 2/0212; H01M 2/1061;
H01M 2/1022; H01M 2/1055; H01M
2/1066; H01M 2/105; H01M 2/20; H01M
2/202; H01M 2/204; H01M 2/206; H01M
10/44; H01M 10/46; H01M 10/465;
H01M 10/482; H01M 2200/30; H01M
2250/30; H01M 2250/40; H02J 7/00;
H02J 7/0003; H02J 7/0011; H02J 7/0013;
H02J 7/0054; H02J 7/0055; H02J 7/0057;
H02J 2007/0062

See application file for complete search history.

(56) **References Cited**

U.S. PATENT DOCUMENTS

D478,310 S * 8/2003 Andre D13/110
D478,546 S * 8/2003 Andre D13/110
D479,823 S * 9/2003 Andre D13/110

D657,743 S * 4/2012 Andre D13/110
D658,123 S * 4/2012 Andre D13/110
D662,473 S * 6/2012 Andre D13/110
D663,687 S * 7/2012 Liu D13/108
D663,688 S * 7/2012 Liu D13/108
D694,183 S * 11/2013 Matsuoka D13/110
D694,185 S * 11/2013 Matsuoka D13/110
D694,706 S * 12/2013 Kuo D13/108
D704,135 S * 5/2014 Stewart D13/108

(Continued)

Primary Examiner — Rosemary K Tarcza

Assistant Examiner — Christy M Nemeth

(74) *Attorney, Agent, or Firm* — Law Offices of Steven W. Weinrieb

(57) **CLAIM**

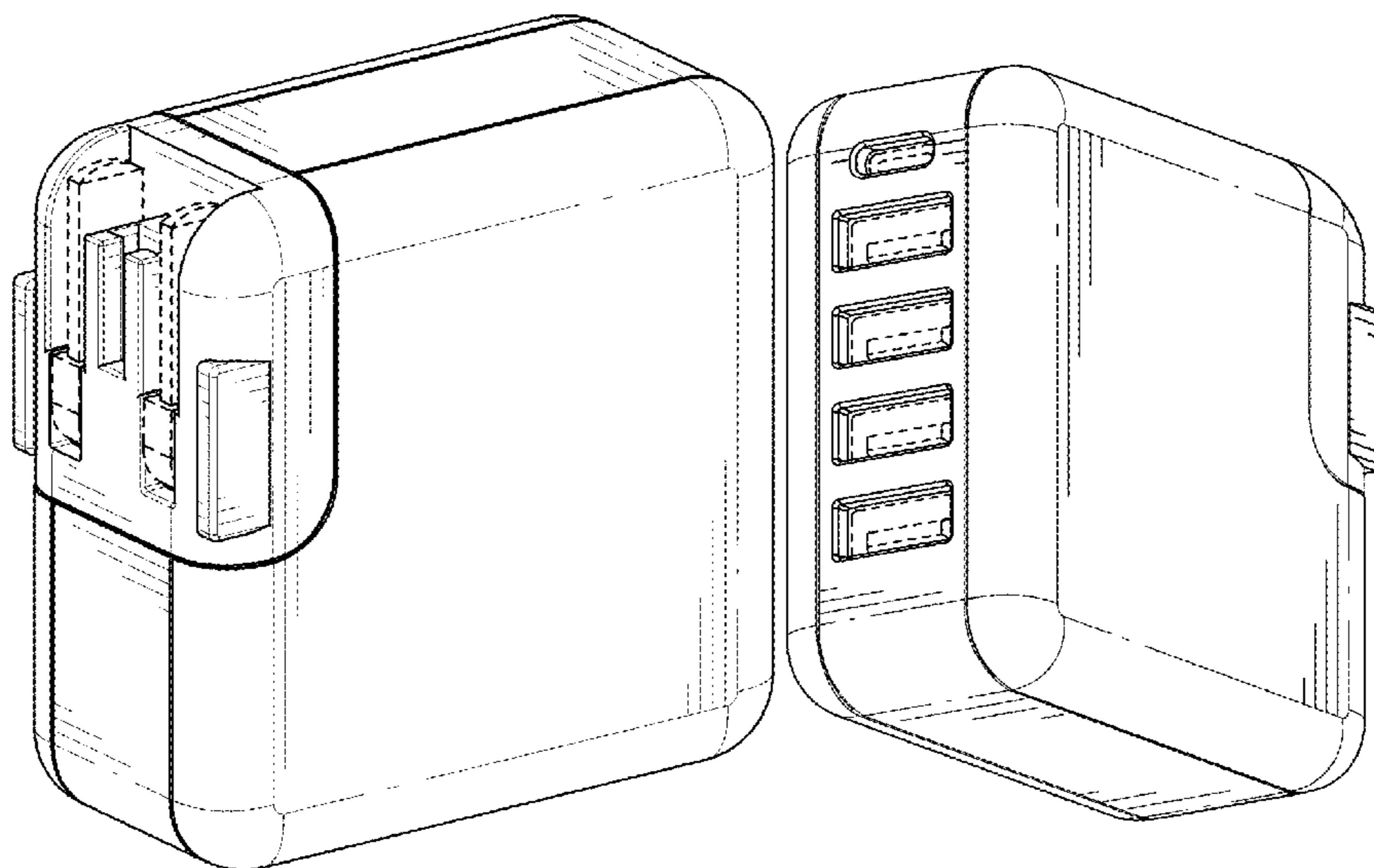
The ornamental design for a charger, as shown and described.

DESCRIPTION

FIG. 1 is a first front, right side, top perspective view of a charger showing my new design;
FIG. 2 is a rear, left side, bottom perspective view thereof;
FIG. 3 is a rear elevational view thereof;
FIG. 4 is a front elevational view thereof;
FIG. 5 is a right side elevational view thereof;
FIG. 6 is a left side elevational view thereof;
FIG. 7 is a top plan view thereof;
FIG. 8 is a bottom plan view thereof.
FIG. 9 is a second front, right, top perspective view thereof;
FIG. 10 is an exploded front, right side, top perspective view thereof; and,
FIG. 11 is a fourth front, right side, top perspective view thereof.

The broken lines immediately adjacent to solid lines are for the purpose of illustrating boundaries; the remaining broken lines are for the purpose of illustrating environmental subject matter. None of the broken lines form part of the claimed design.

1 Claim, 11 Drawing Sheets



(56)

References Cited

U.S. PATENT DOCUMENTS

8,888,513	B2 *	11/2014	Shi	H01R 31/06 439/131
D736,153	S *	8/2015	Levy	D13/108
D736,154	S *	8/2015	Levy	D13/108
D738,822	S *	9/2015	Stewart	D13/108
D740,224	S *	10/2015	Stewart	D13/108
D740,749	S *	10/2015	Stewart	D13/108
D772,160	S *	11/2016	Roberts	D13/110
D784,921	S *	4/2017	Huang	D13/107
D806,021	S *	12/2017	Xu	D13/107
D821,972	S *	7/2018	Wei	D13/108
D824,850	S *	8/2018	Kojima	D13/107
D845,235	S *	4/2019	Yang	D13/108
10,297,965	B1 *	5/2019	Yang	H01R 31/06
2010/0117597	A1 *	5/2010	Wang	H02J 7/0042 320/111
2013/0187459	A1 *	7/2013	Green	H02J 3/00 307/31
2014/0333263	A1 *	11/2014	Stewart	H02J 7/0042 320/111
2015/0280479	A1 *	10/2015	Levy	H02J 7/0055 320/111

* cited by examiner

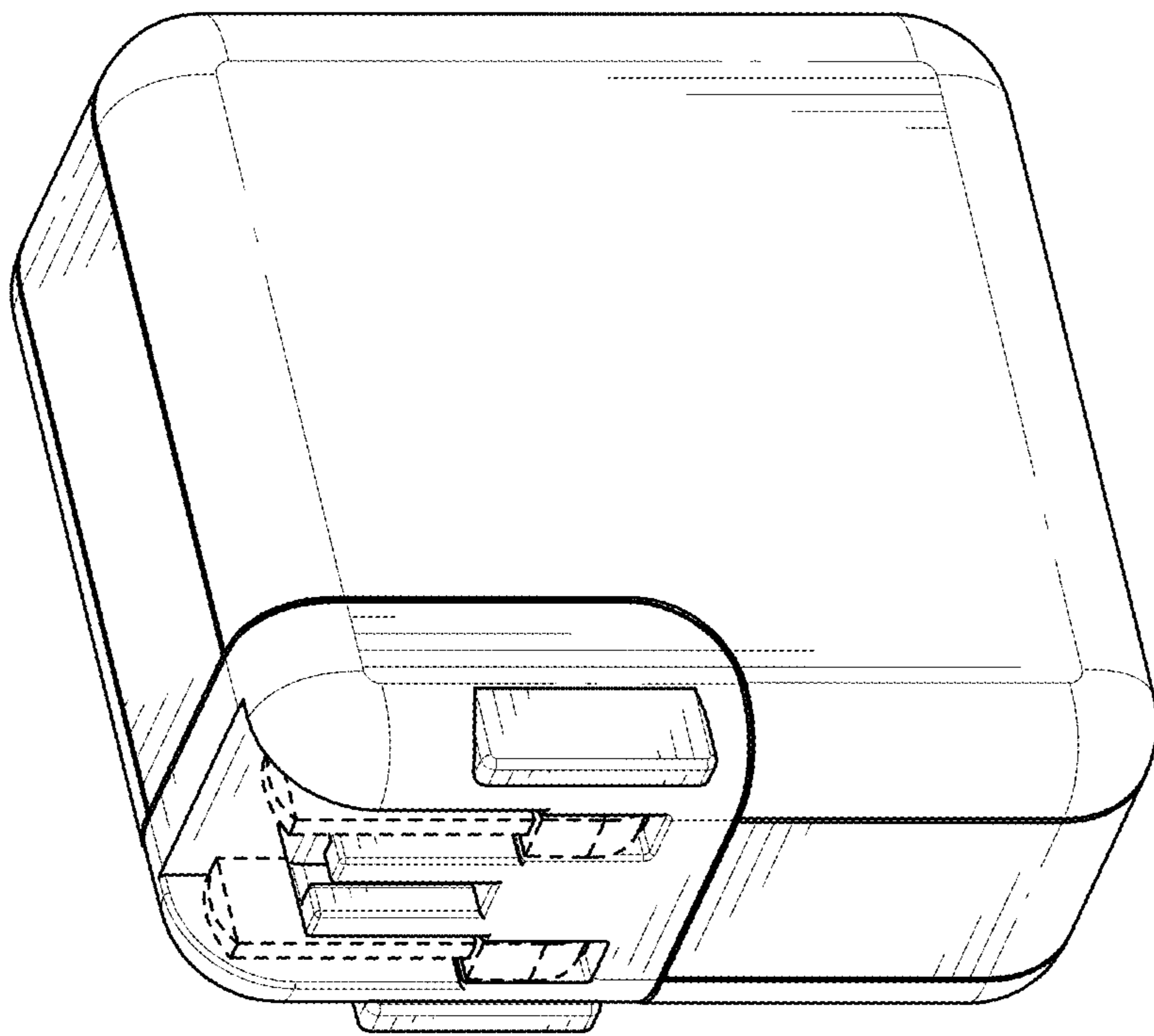


FIG. 1

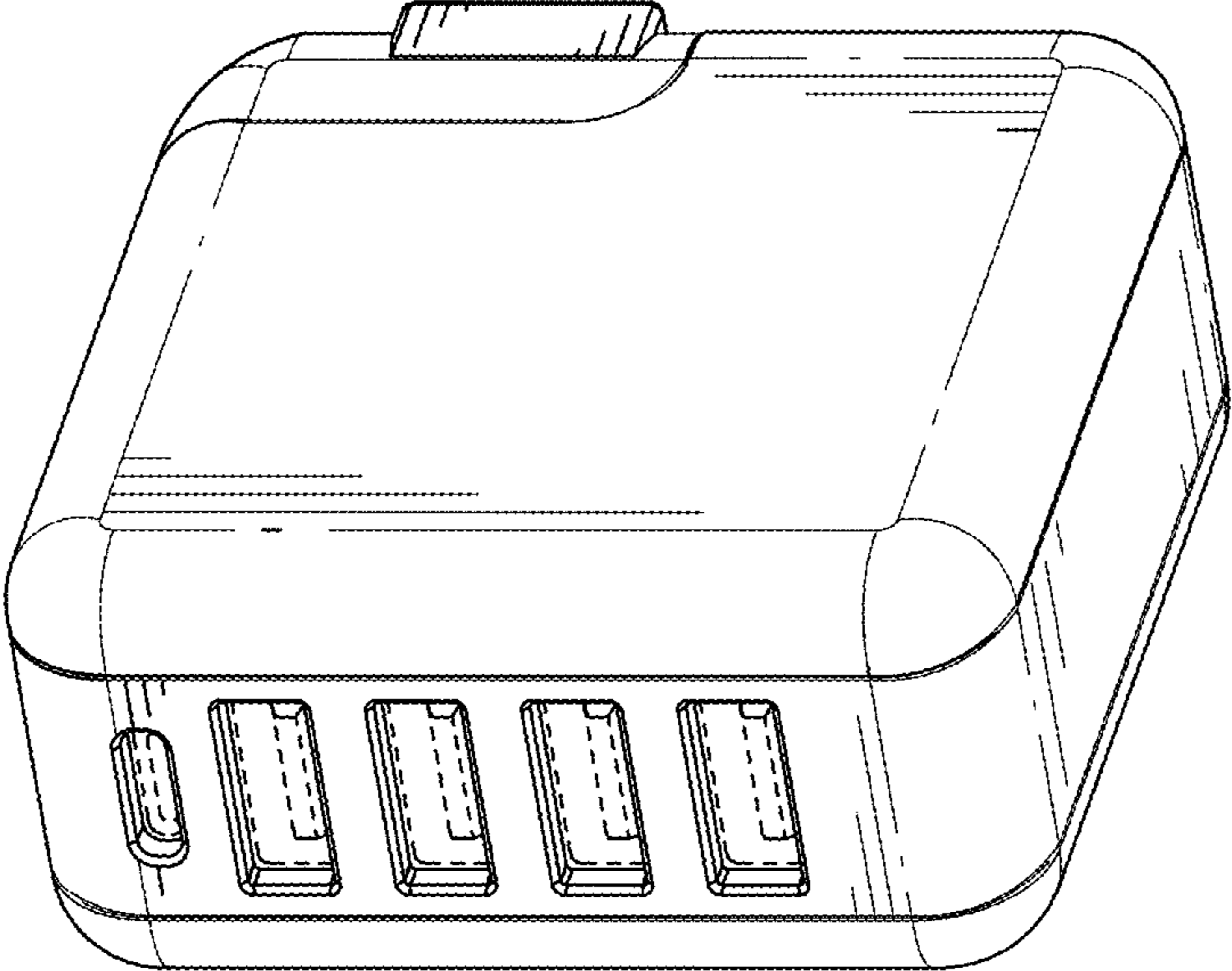


FIG. 2

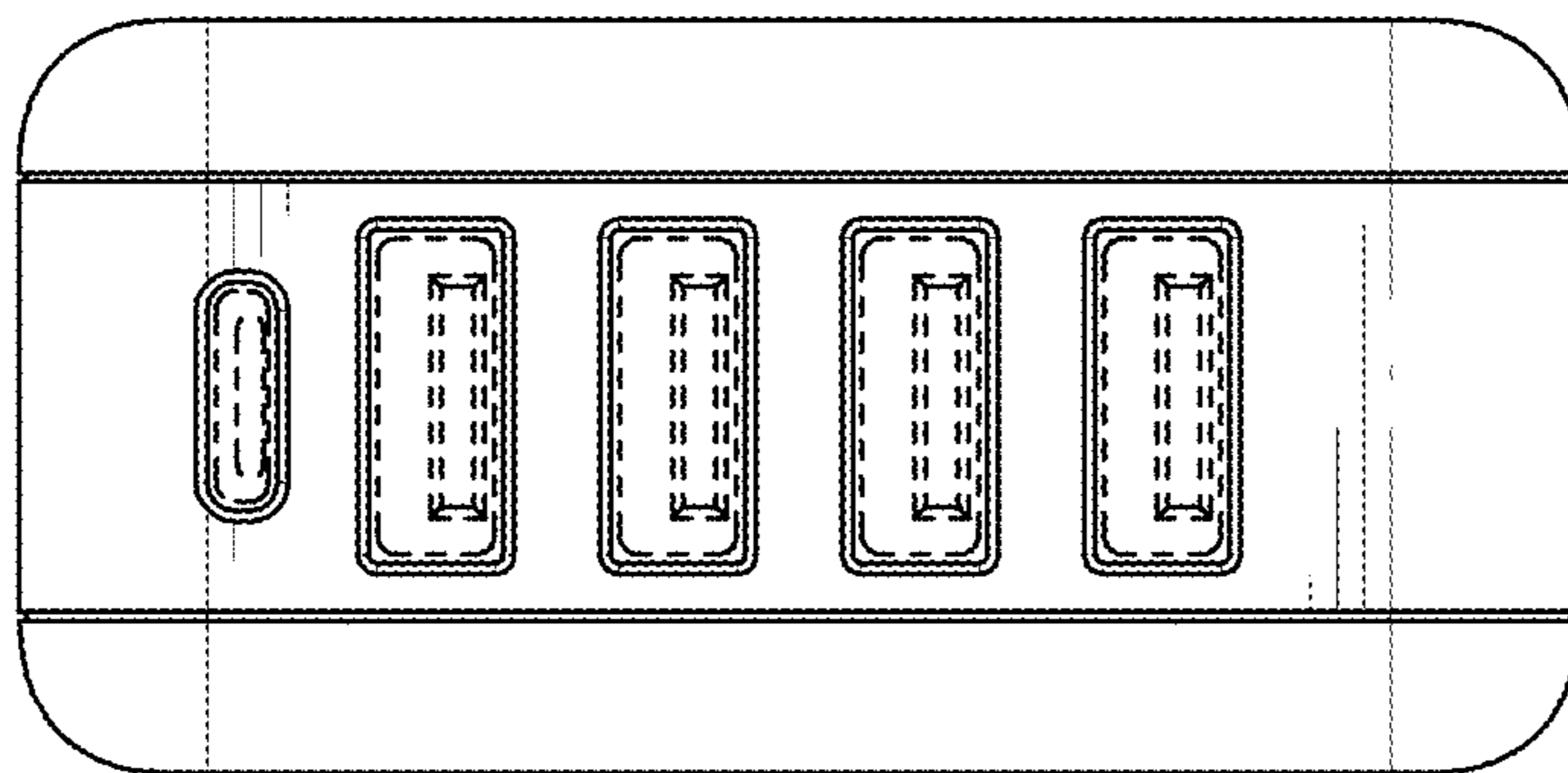


FIG. 3

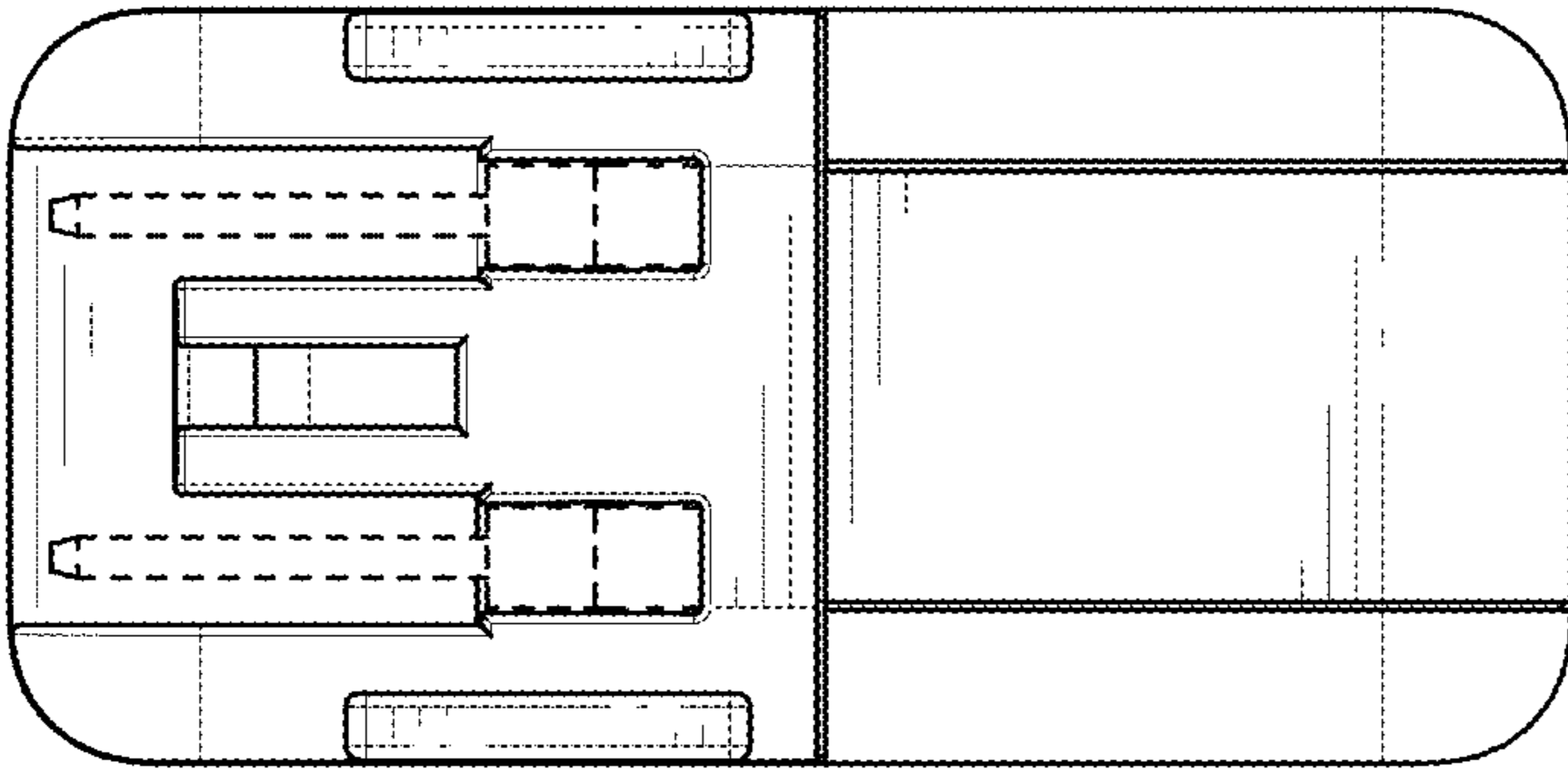


FIG. 4

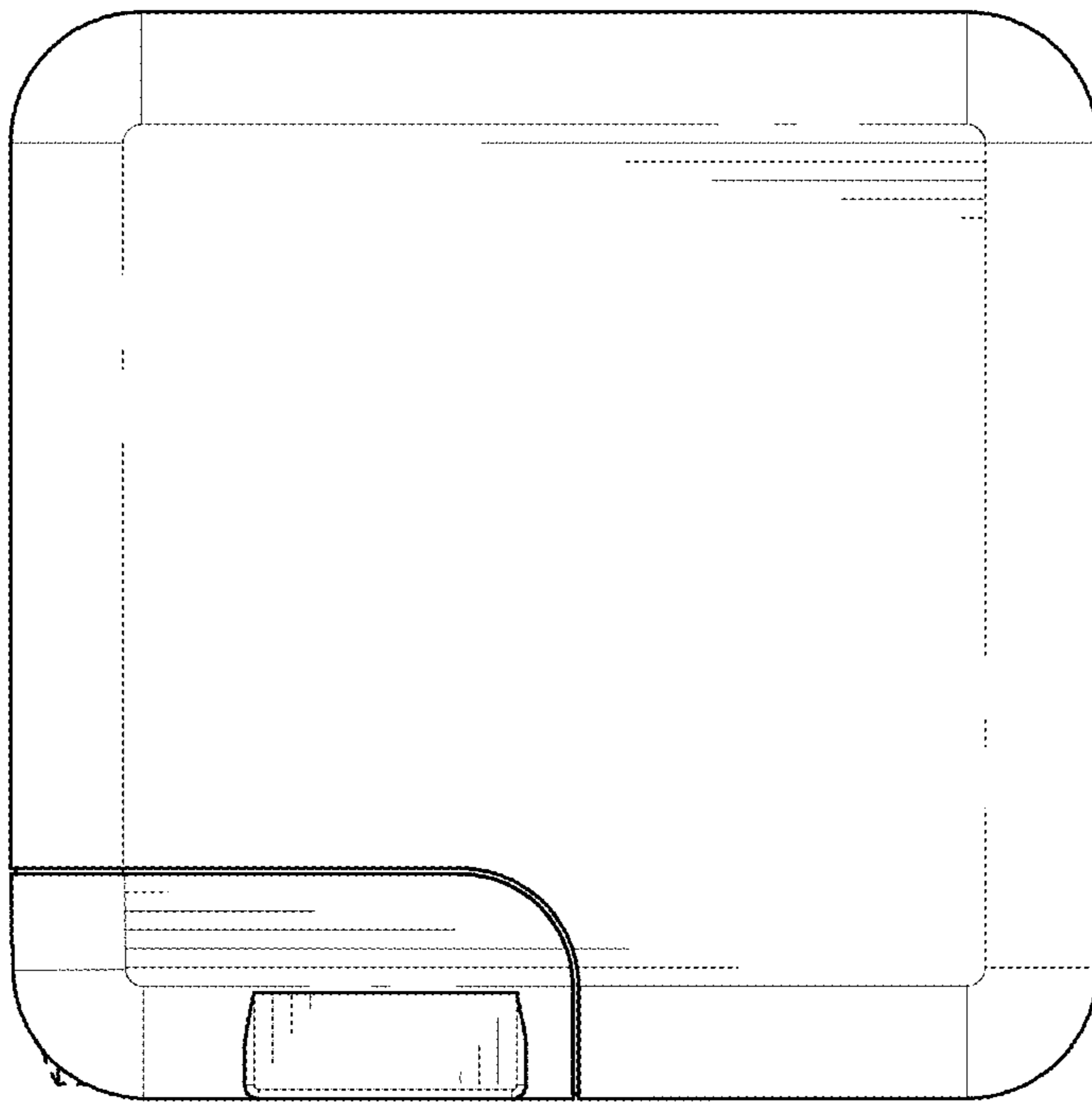


FIG. 5

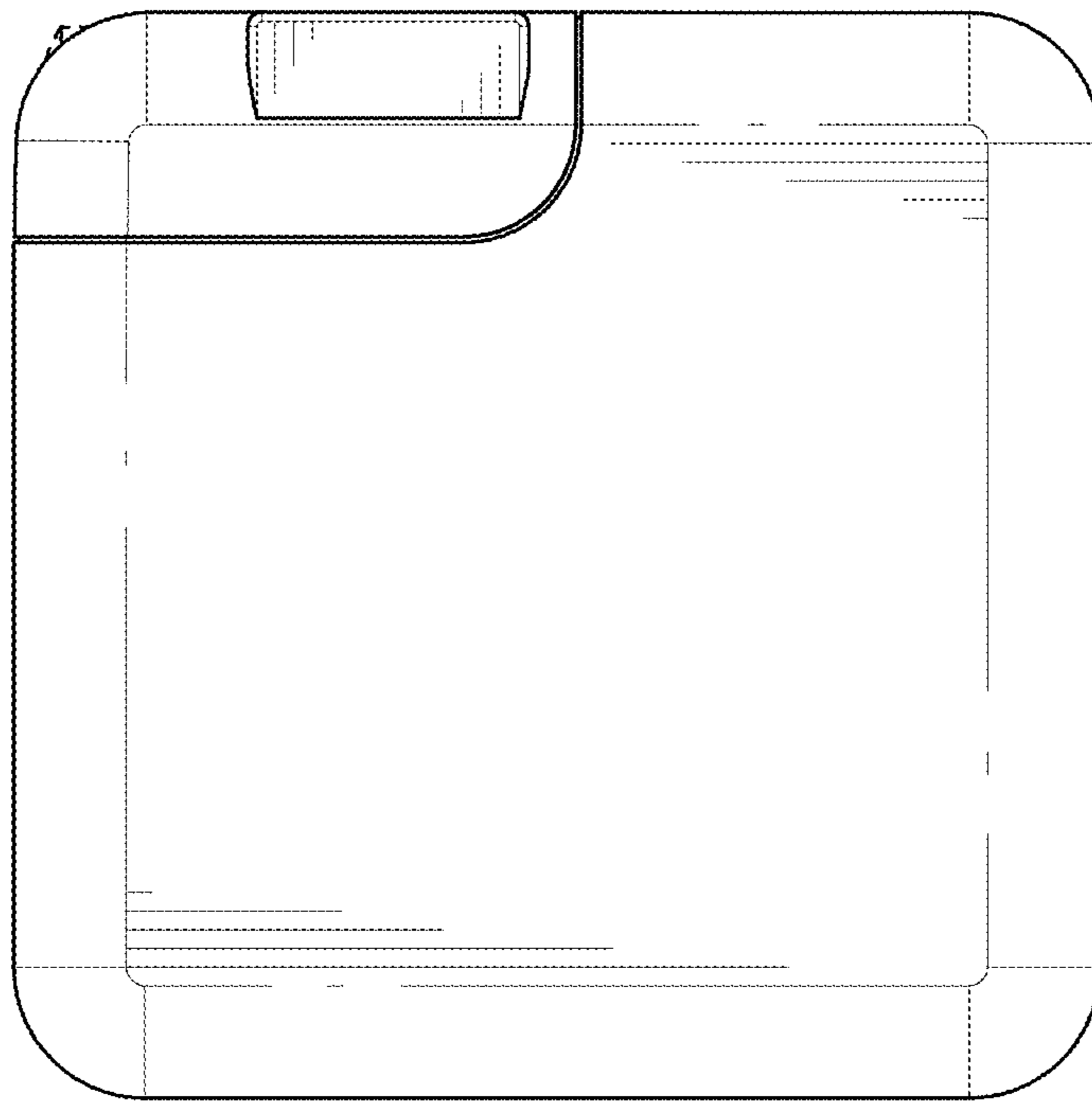


FIG. 6

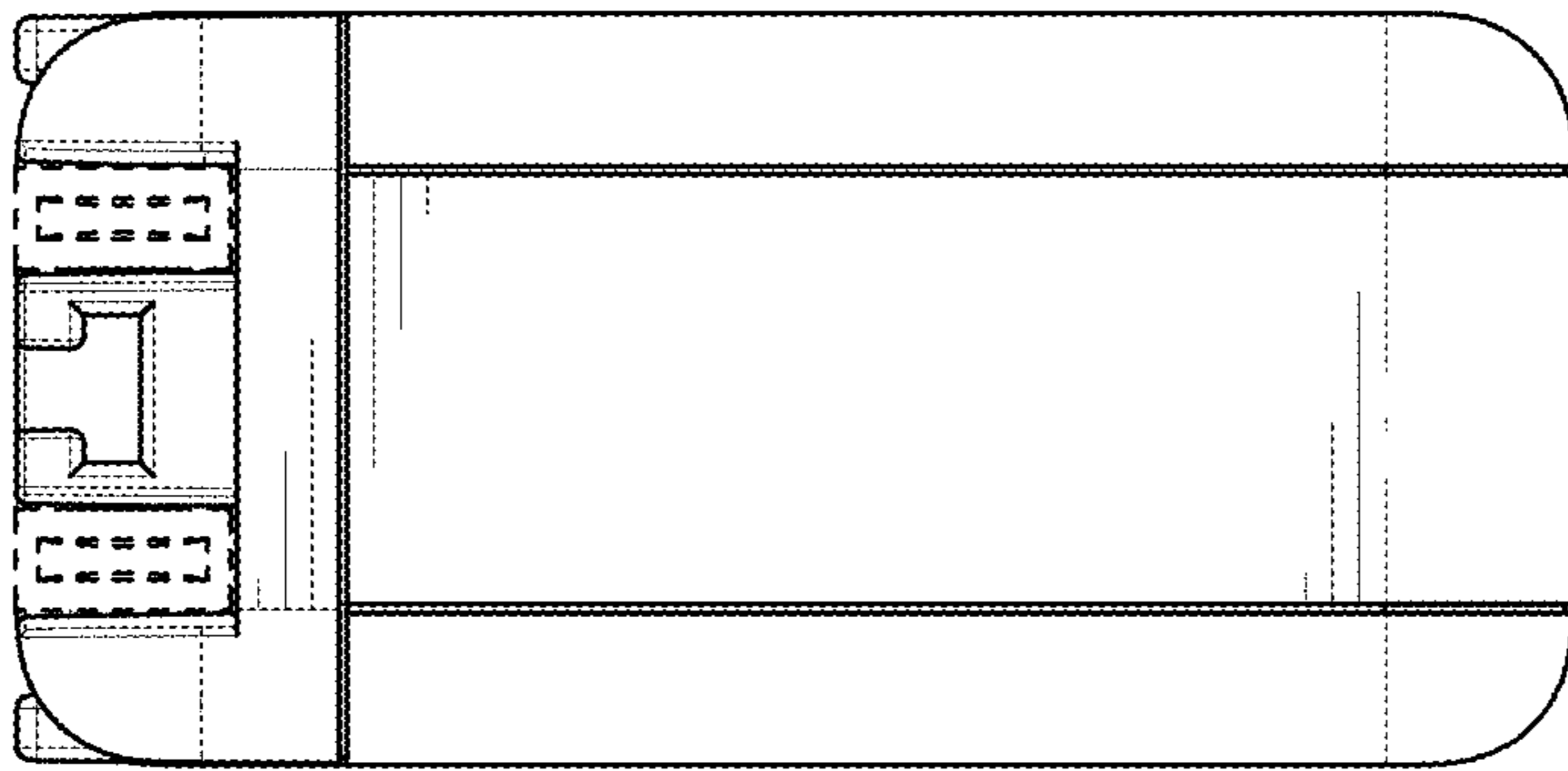


FIG. 7

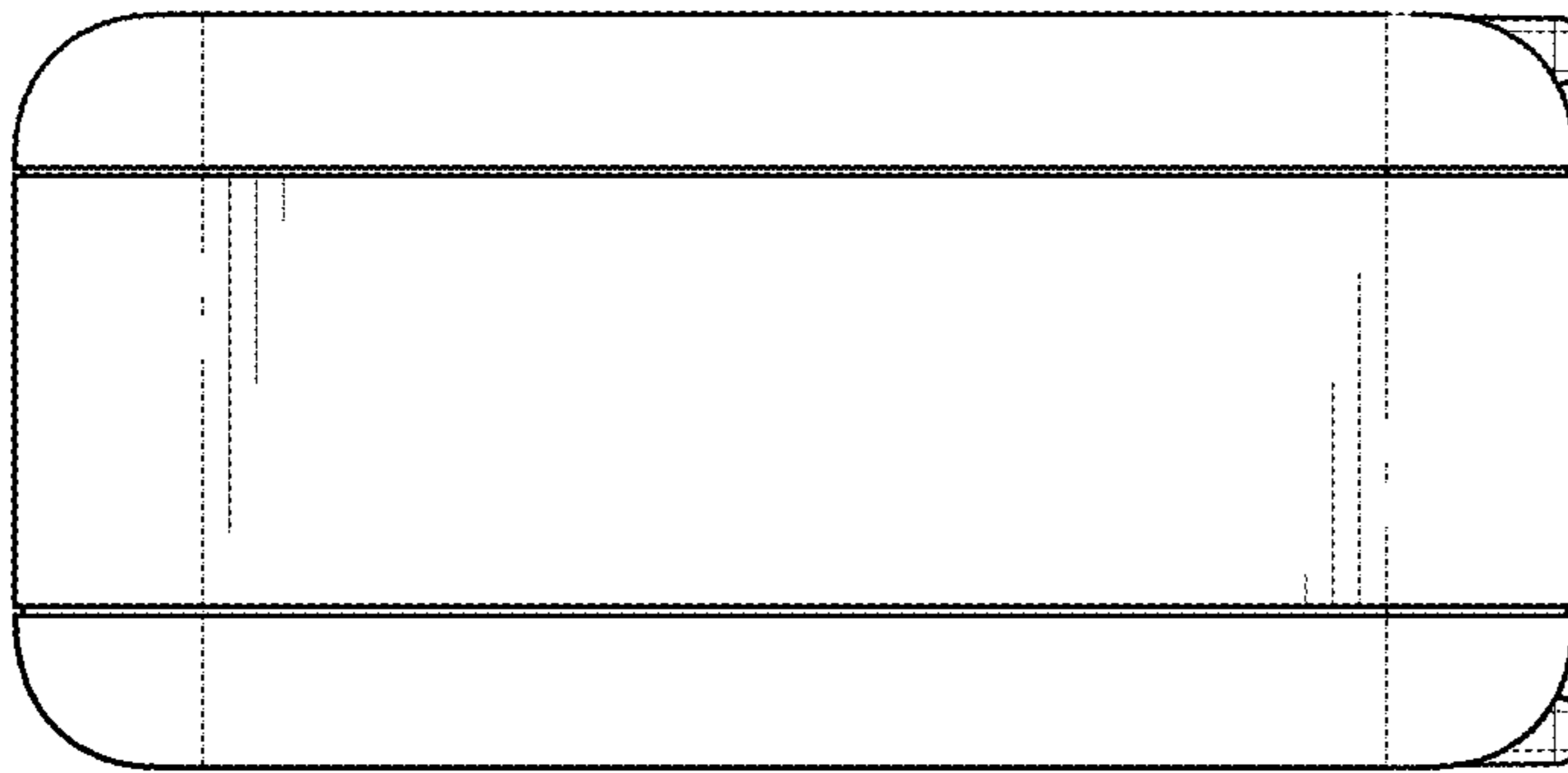


FIG. 8

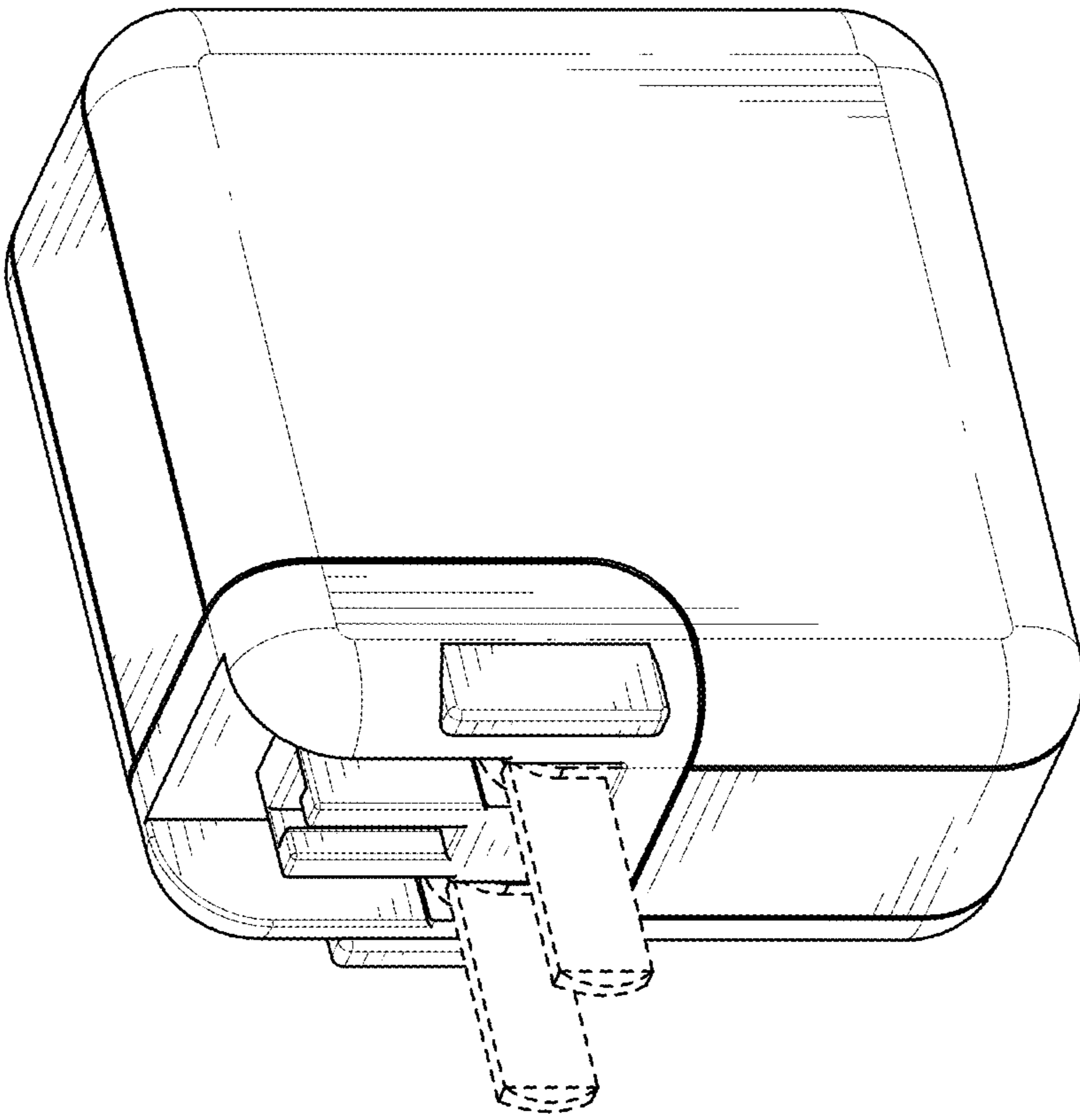


FIG. 9

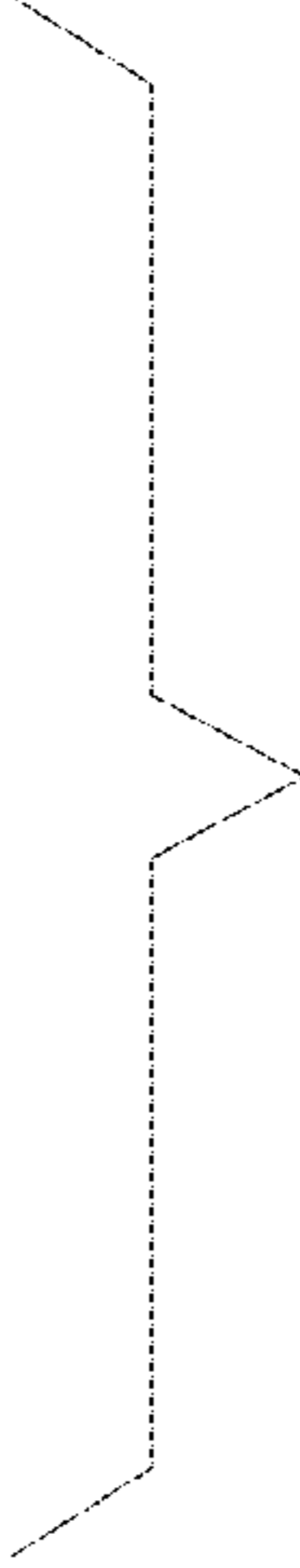
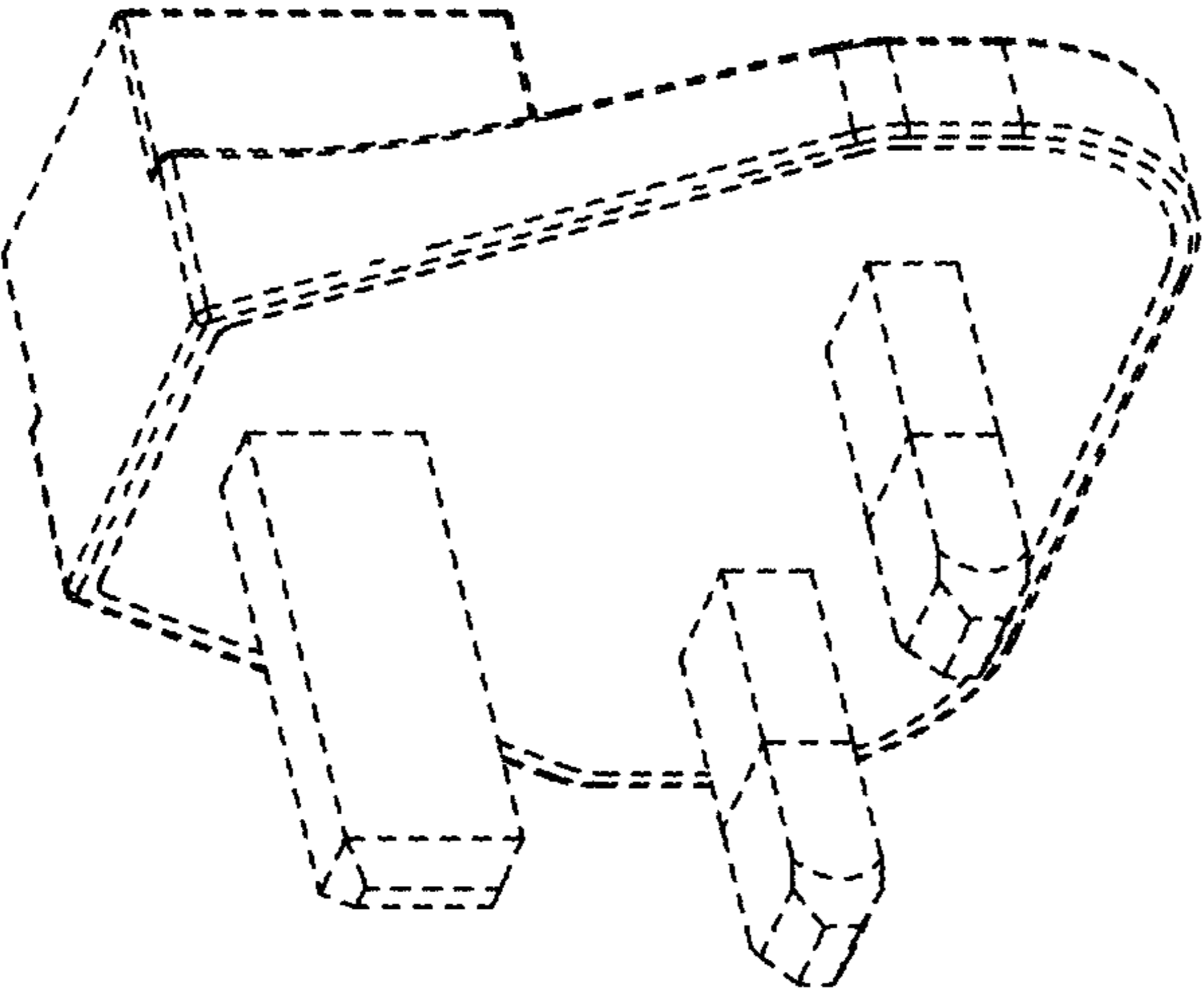
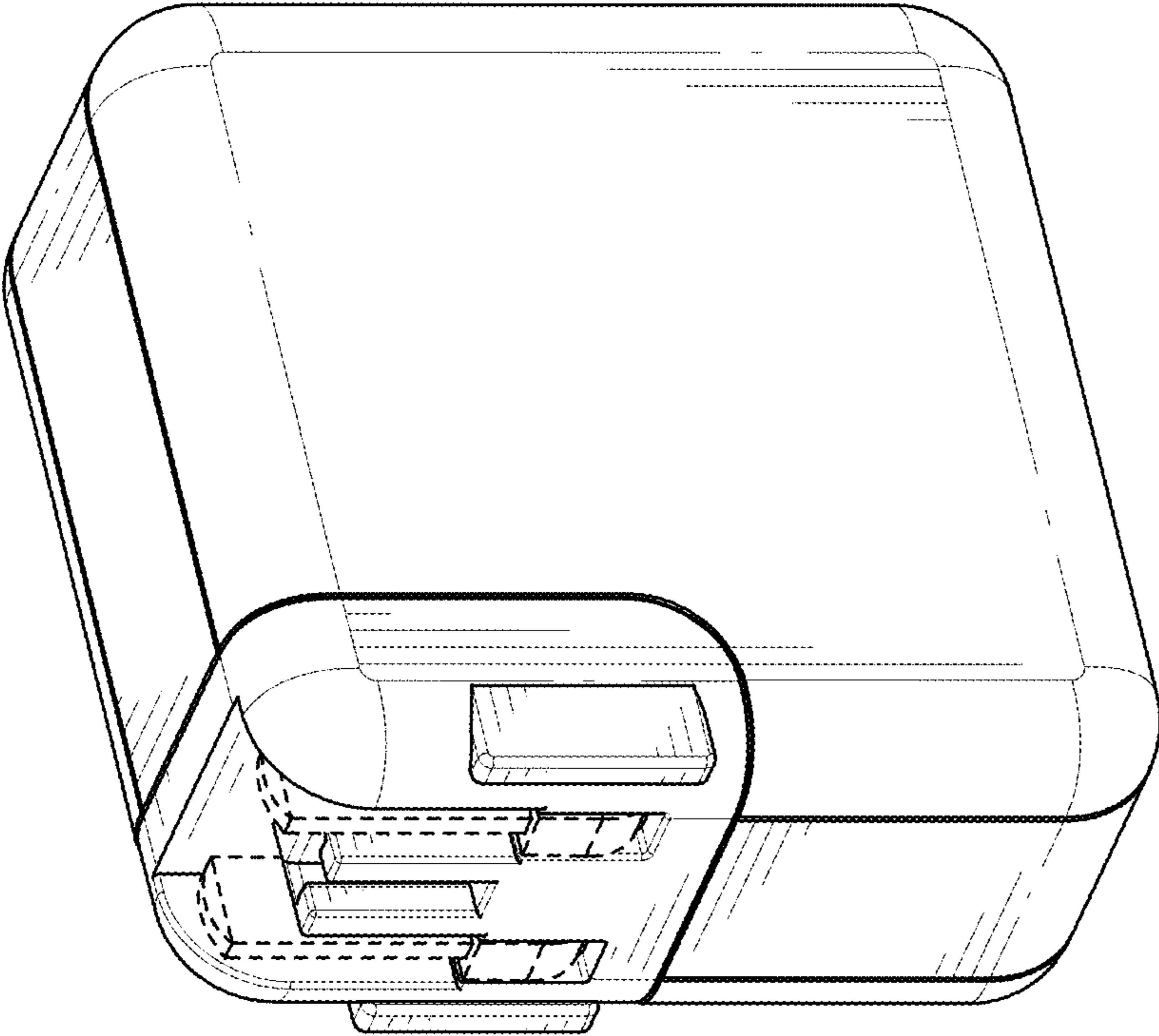


FIG. 10

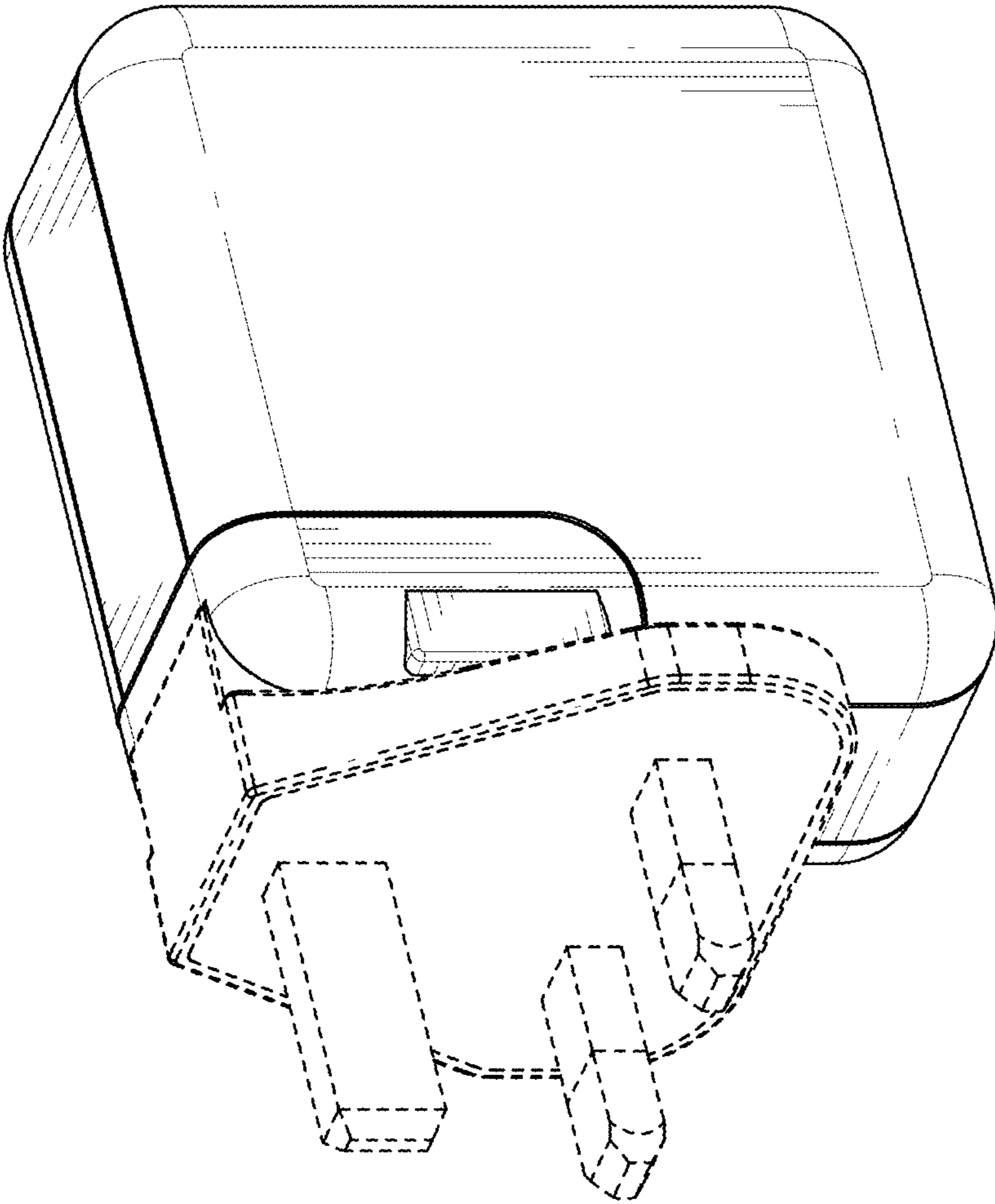


FIG. 11