



US00D883196S

(12) **United States Design Patent**  
**Chen**

(10) **Patent No.:** **US D883,196 S**

(45) **Date of Patent:** **\*\* May 5, 2020**

(54) **BATTERY CASE**

(71) Applicant: **Xingze Chen**, Jundian Town (CN)

(72) Inventor: **Xingze Chen**, Jundian Town (CN)

(\*\*) Term: **15 Years**

(21) Appl. No.: **29/677,541**

(22) Filed: **Jan. 22, 2019**

(51) **LOC (12) Cl.** ..... **13-02**

(52) **U.S. Cl.**  
USPC ..... **D13/103**

(58) **Field of Classification Search**  
USPC ..... D13/103, 107, 108, 110, 133,  
D13/137.1-137.4, 138.1-138.2,  
D13/139.1-139.8, 146, 147, 151-156,  
D13/173, 177, 199; D14/432, 433, 435.1,  
D14/250; D23/231, 232; D15/7-9;  
D8/350, 353-356

CPC ..... H01R 11/00; H01R 9/00; H01R 13/00;  
H01R 13/04; H01R 13/10; H01R  
13/6666; H01R 13/6675; H01R 25/00;  
H01R 25/006; H01H 2207/00; H01H  
2207/022; Y02E 60/12; Y02E 60/122;  
Y02E 60/124; Y02E 60/50; H01M 2/02;  
H01M 2/022; H01M 2/0202; H01M  
2/0207; H01M 2/0212; H01M 2/1061;  
H01M 2/1022; H01M 2/1055; H01M  
2/1066; H01M 2/105; H01M 2/204; H02J  
7/00; H02J 7/0003; H02J 7/0011; H02J  
7/0013; H02J 7/0054; H02J 7/0055; H02J  
7/0057; Y02T 10/7005; Y02T 10/705;  
Y02T 10/7088; B60L 11/1809; B60L  
11/1861

See application file for complete search history.

(56) **References Cited**

**U.S. PATENT DOCUMENTS**

D445,758 S \* 7/2001 Killebrew ..... D13/103  
D551,163 S \* 9/2007 Hamasaki ..... D13/107

D591,690 S \* 5/2009 Vogel ..... D13/152  
D626,916 S \* 11/2010 Hine ..... D13/107  
D629,355 S \* 12/2010 Bodley ..... D13/108  
D821,968 S \* 7/2018 Zhao ..... D13/103  
D823,788 S \* 7/2018 Wei ..... D13/103  
D853,320 S \* 7/2019 Guo ..... D13/103  
2008/0124618 A1\* 5/2008 Shimoyama ..... H01M 2/105  
429/99  
2010/0221590 A1\* 9/2010 Reber ..... A01G 3/053  
429/99

(Continued)

*Primary Examiner* — Rosemary K Tarcza

*Assistant Examiner* — Christy M Nemeth

(74) *Attorney, Agent, or Firm* — Law Offices of Steven  
W. Weinrieb

(57) **CLAIM**

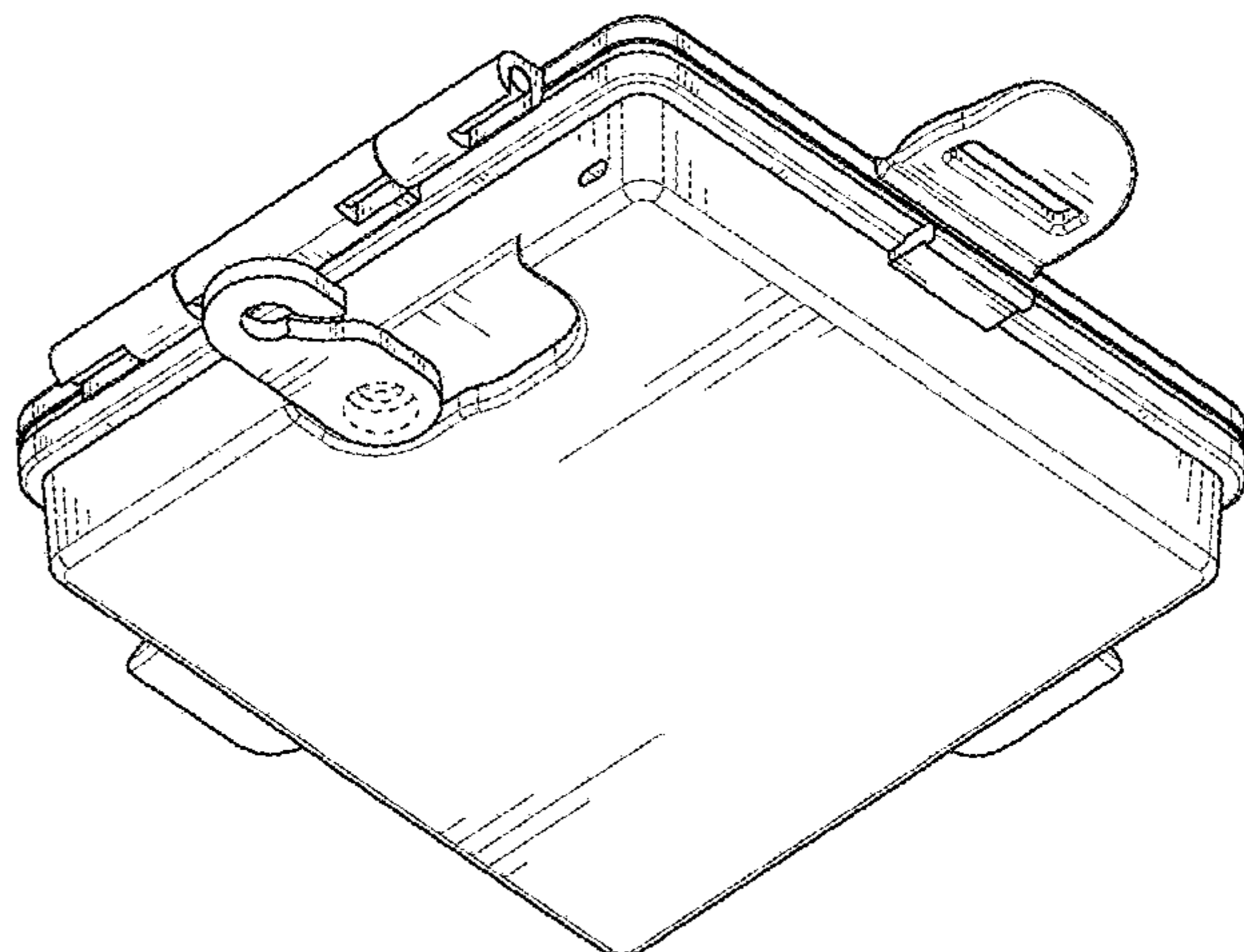
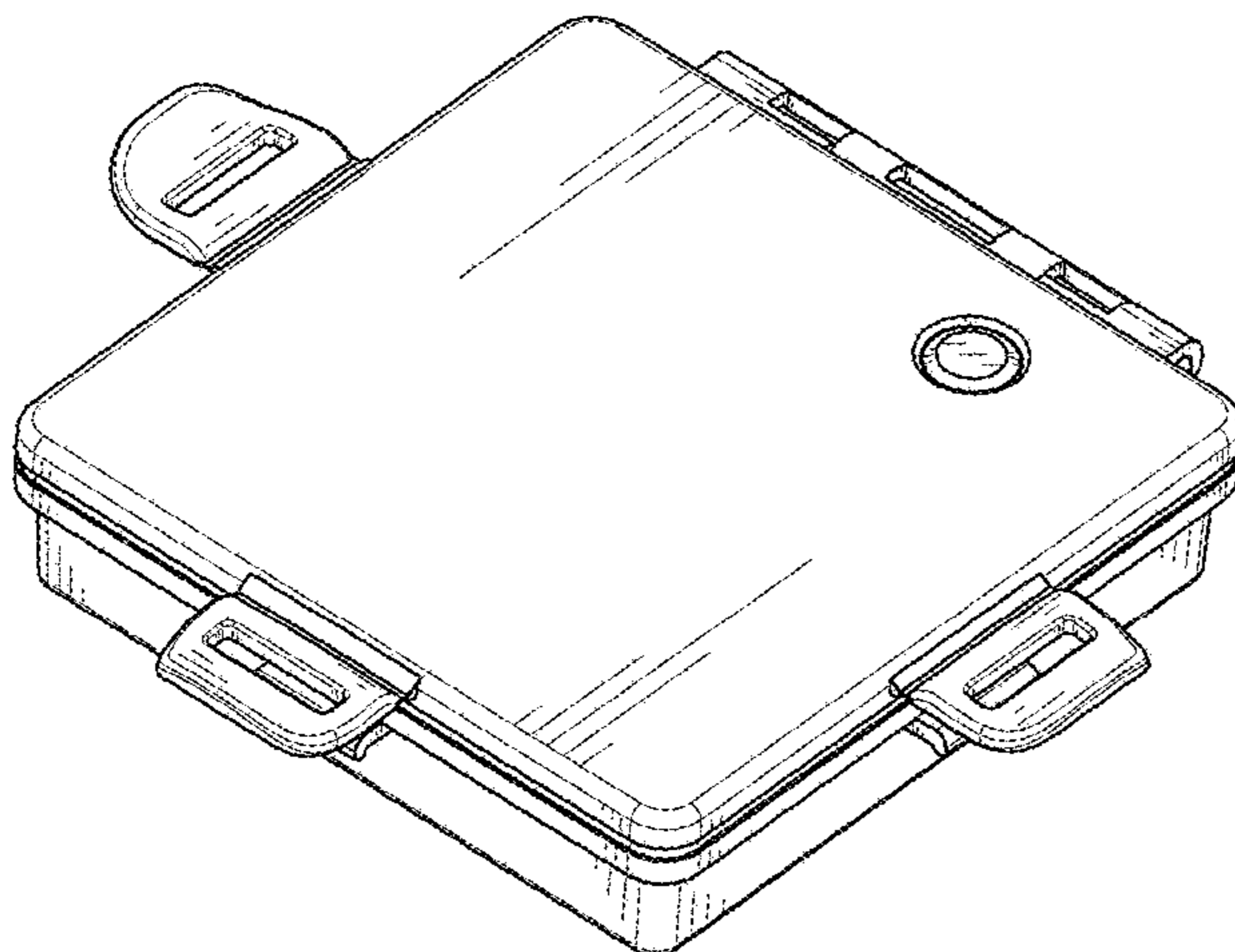
The ornamental design for a battery case, as shown and described.

**DESCRIPTION**

FIG. 1 is a front, right side, top perspective view of a battery case of my new design, shown with the latch mechanisms in the open position;  
FIG. 2 is a rear, left side, bottom perspective view thereof;  
FIG. 3 is a top plan view thereof;  
FIG. 4 is a bottom plan view thereof;  
FIG. 5 is a left side elevational view thereof;  
FIG. 6 is a right side elevational view thereof;  
FIG. 7 is a rear elevational view thereof;  
FIG. 8 is a front elevational view thereof; and,  
FIG. 9 is a front, right side, top perspective view of the battery case, shown with the latch mechanisms in the closed position.

The broken lines immediately adjacent to the shaded portions are for the purpose of illustrating boundaries, while all other broken lines are for the purpose of illustrating portions of the battery case that form no part of the claimed design.

**1 Claim, 9 Drawing Sheets**



(56)

**References Cited**

U.S. PATENT DOCUMENTS

2019/0036286 A1\* 1/2019 Yang ..... H01M 10/488  
2019/0326565 A1\* 10/2019 Zhou ..... H01M 2/02

\* cited by examiner



FIG. 1

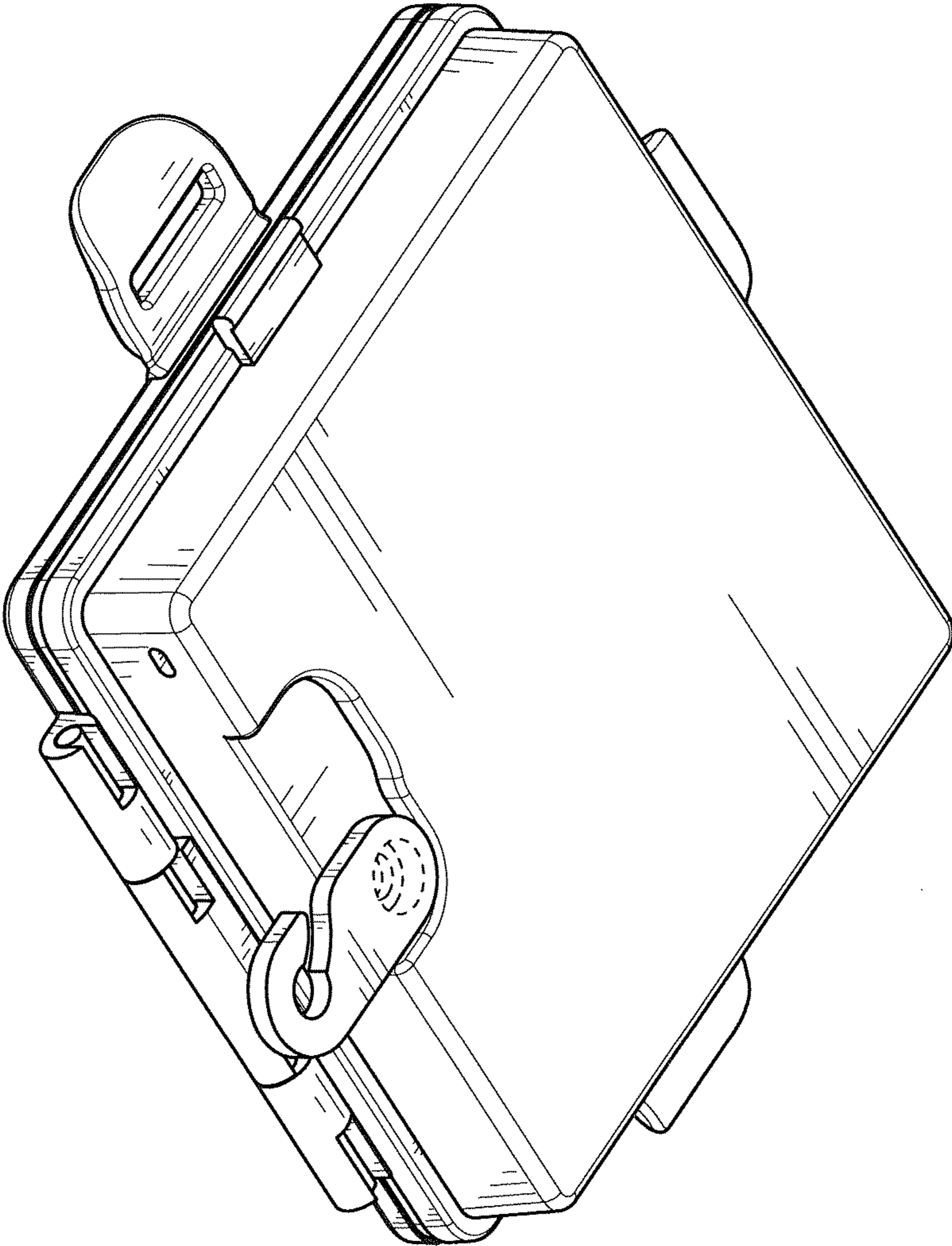


FIG. 2

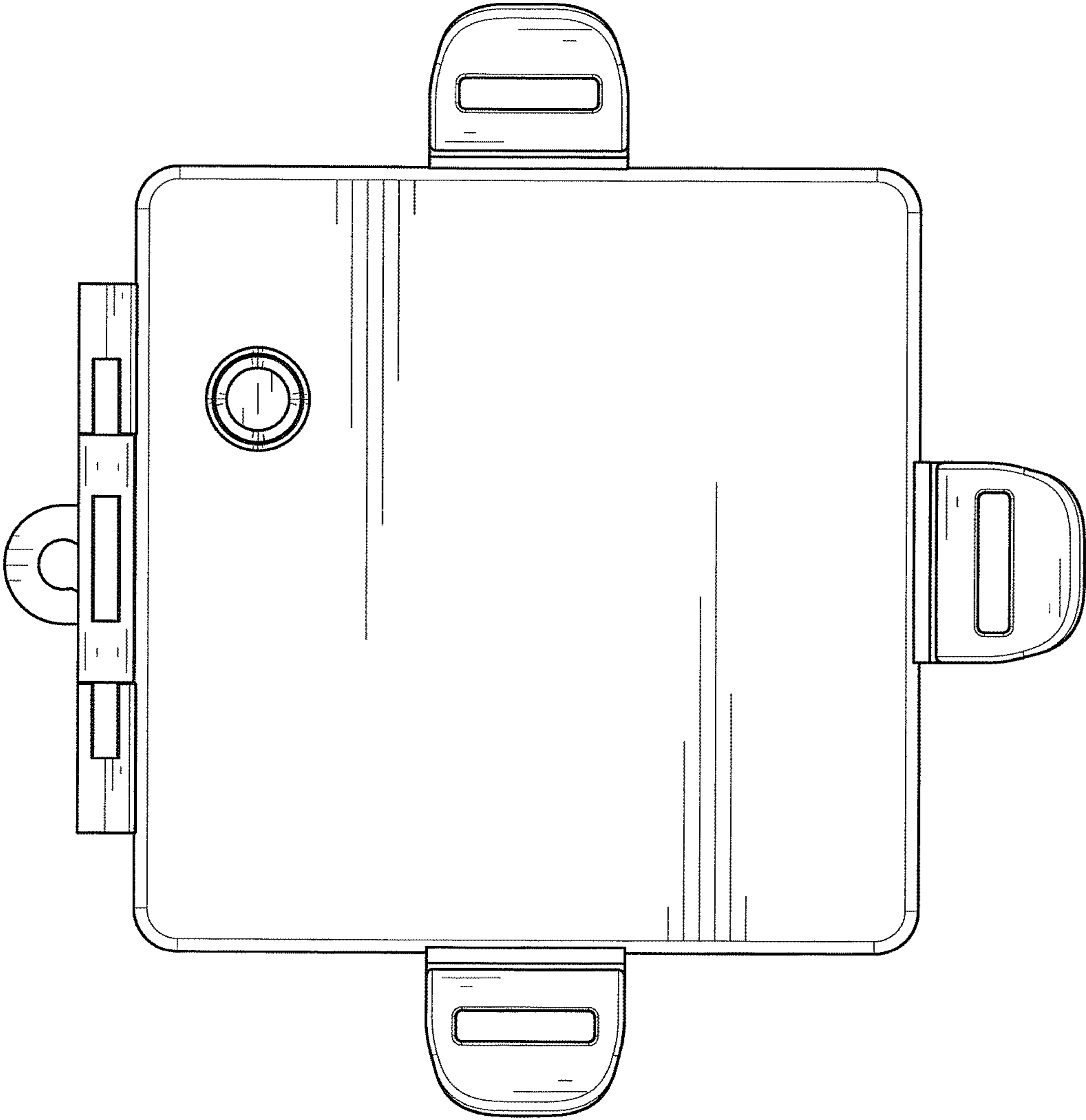


FIG. 3

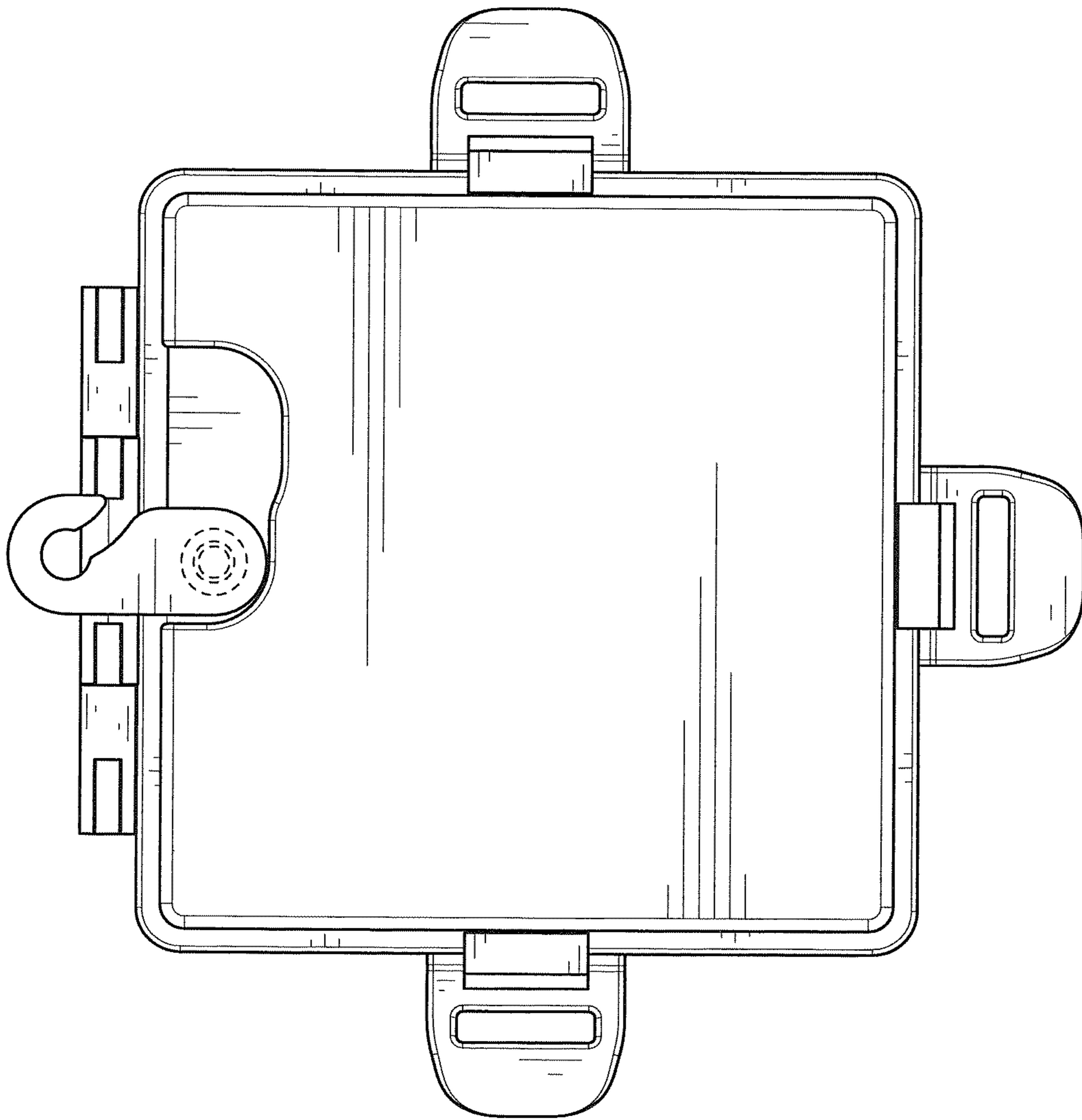


FIG. 4

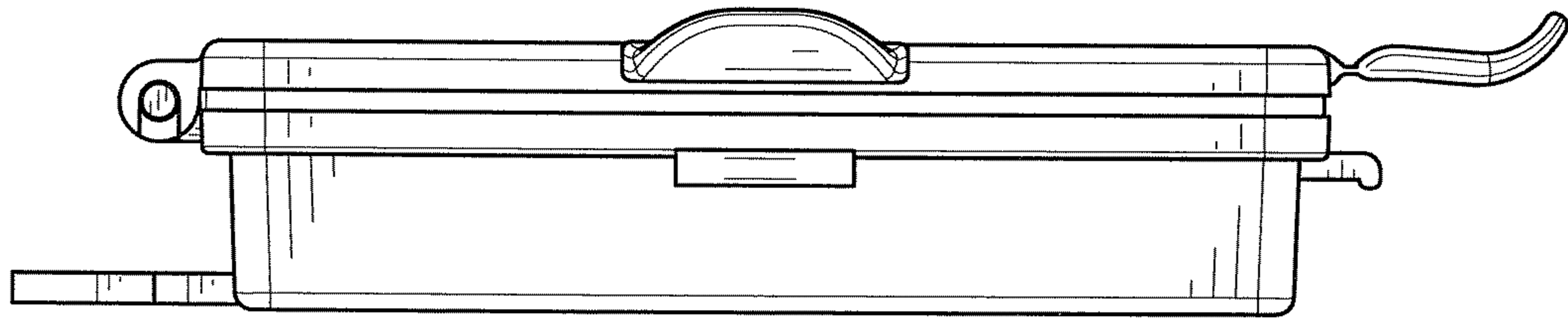


FIG. 5

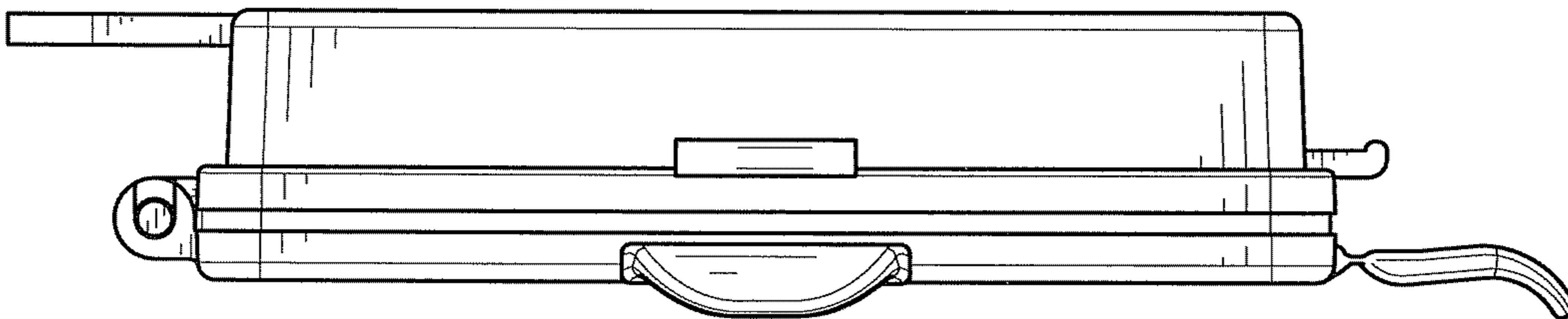


FIG. 6



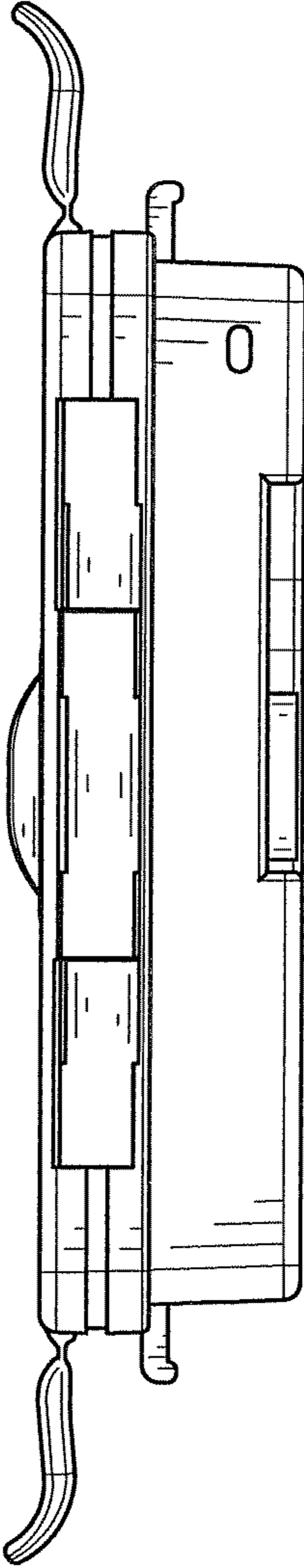


FIG. 7

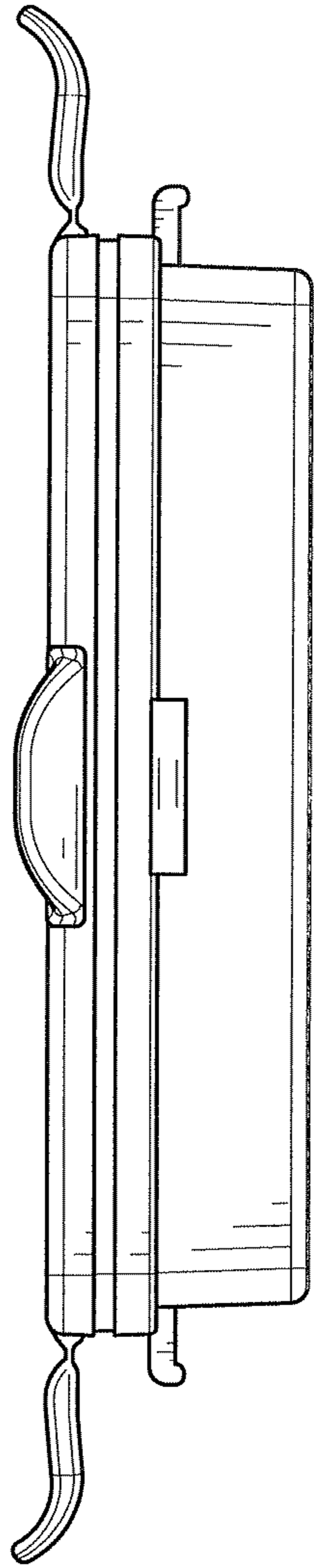


FIG. 8

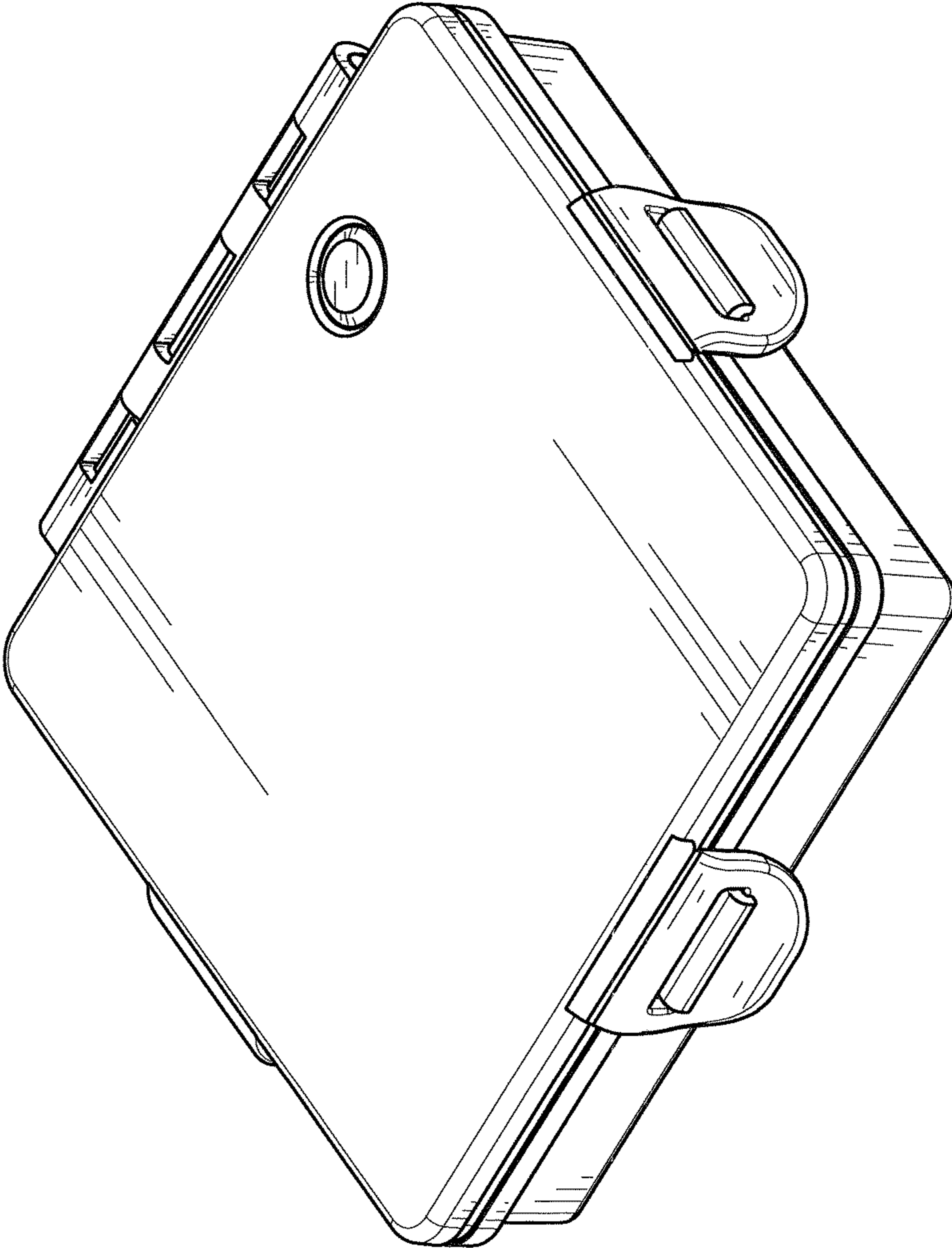


FIG. 9