



US00D883195S

(12) **United States Design Patent** (10) **Patent No.:** **US D883,195 S**  
**Jiang et al.** (45) **Date of Patent:** **\*\* May 5, 2020**

(54) **BATTERY**  
(71) Applicant: **AUTEL ROBOTICS CO., LTD.**,  
Shenzhen (CN)  
(72) Inventors: **Juntian Jiang**, Shenzhen (CN);  
**Boming Lu**, Shenzhen (CN)  
(73) Assignee: **AUTEL ROBOTICS CO., LTD.**,  
Shenzhen, Guangdong (CN)  
(\*\*) Term: **15 Years**

D553,561 S \* 10/2007 Maggert ..... D13/103  
D555,086 S \* 11/2007 Zhang ..... D13/103  
D557,203 S \* 12/2007 Grunow ..... D13/103  
D576,545 S \* 9/2008 Mandel ..... D13/103  
D580,351 S \* 11/2008 Elsmark ..... D13/103  
D594,403 S \* 6/2009 Yang ..... D13/103  
D616,815 S \* 6/2010 Jadraque Aznarez ..... D13/110  
D667,788 S \* 9/2012 Mai ..... D13/110  
D708,129 S \* 7/2014 Houghton ..... D13/103  
D810,677 S \* 2/2018 Chen ..... D13/103  
D824,330 S \* 7/2018 Hao ..... D13/110  
D835,573 S \* 12/2018 Chen ..... D13/103  
2005/0248312 A1 \* 11/2005 Cao ..... H02J 7/0031  
320/114

(21) Appl. No.: **29/639,726**

**FOREIGN PATENT DOCUMENTS**

(22) Filed: **Mar. 8, 2018**

JP D1557376 \* 7/2016

(30) **Foreign Application Priority Data**

\* cited by examiner

Sep. 8, 2017 (CN) ..... 2017 3 0425573

*Primary Examiner* — Brett Miller

(51) **LOC (12) Cl.** ..... **13-02**

(57) **CLAIM**

(52) **U.S. Cl.**  
USPC ..... **D13/103**

The ornamental design for a battery, as shown and described.

(58) **Field of Classification Search**

**DESCRIPTION**

USPC .... D13/107–108, 103, 105, 110, 119, 137.2;  
D14/434, 447, 253, 224, 217, 238.1, 251,  
D14/240, 149, 358, 348, 356  
CPC ..... H02J 7/0042; H02J 7/044; H02J 7/045;  
H02J 2007/0062; H02J 7/0054; H02J  
7/0055; B60R 11/0241  
See application file for complete search history.

FIG. 1 is a perspective view of a battery showing our new design;  
FIG. 2 is a front elevational view thereof;  
FIG. 3 is a rear elevational view thereof;  
FIG. 4 is a left side elevational view thereof;  
FIG. 5 is a right side elevational view thereof;  
FIG. 6 is a top plan view thereof; and,  
FIG. 7 is a bottom plan view thereof.

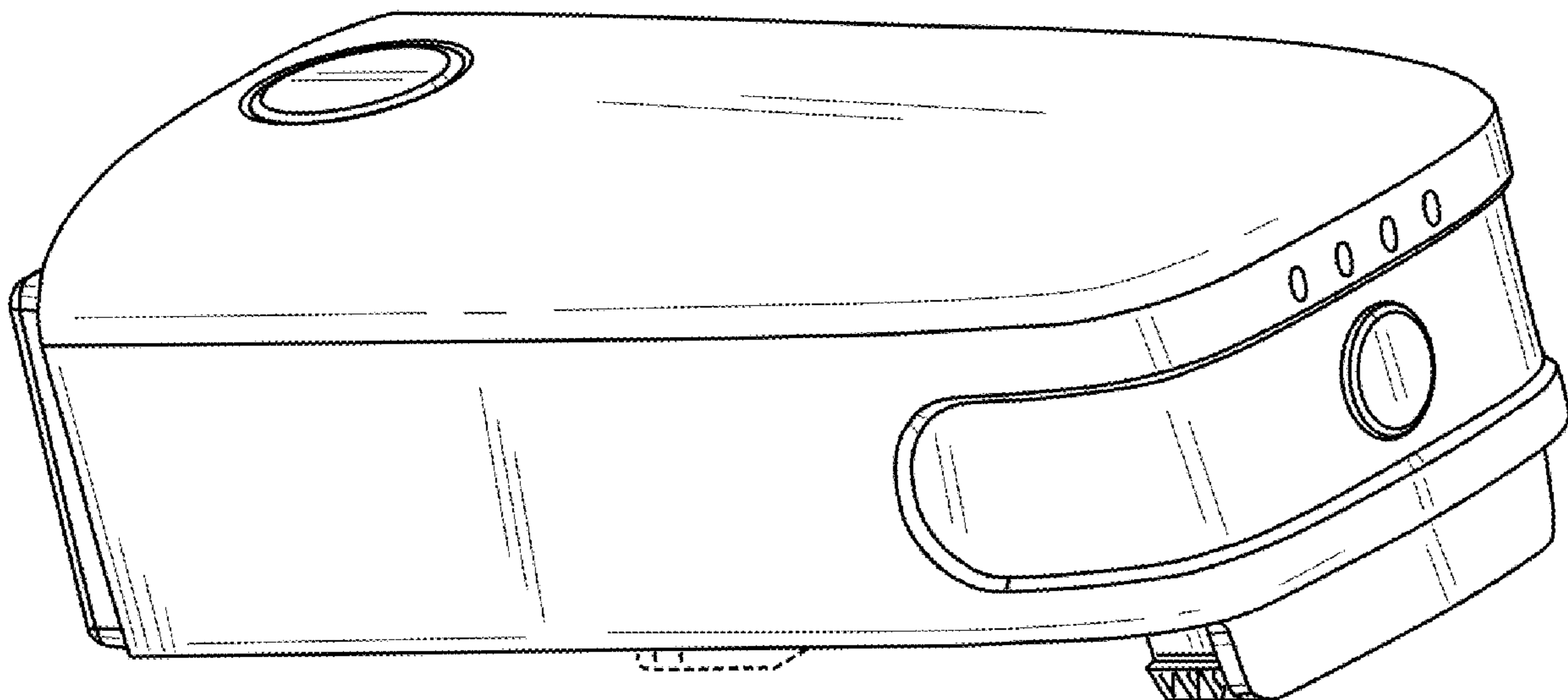
(56) **References Cited**

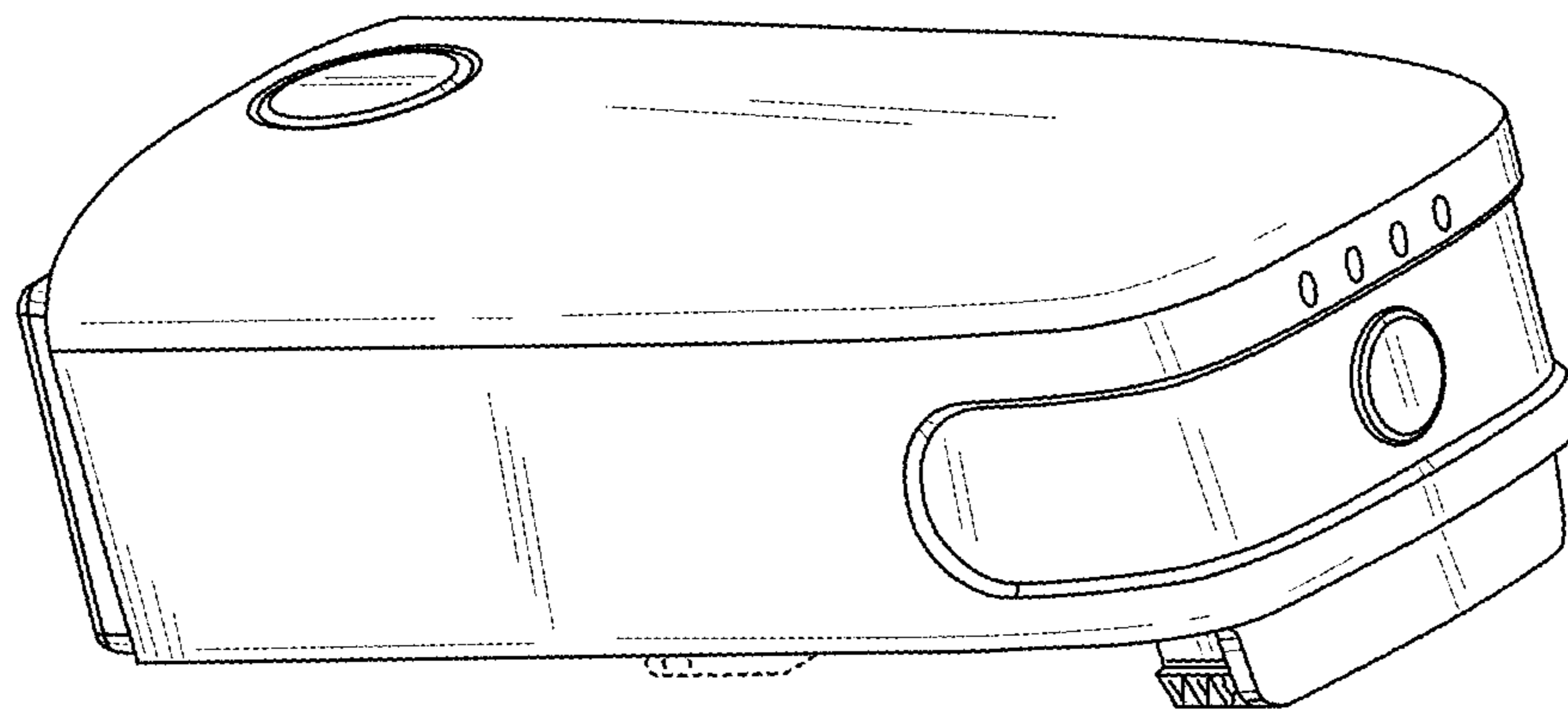
The dotted lines in the drawings are included to show portions of the article that form no part of the claimed design.

**U.S. PATENT DOCUMENTS**

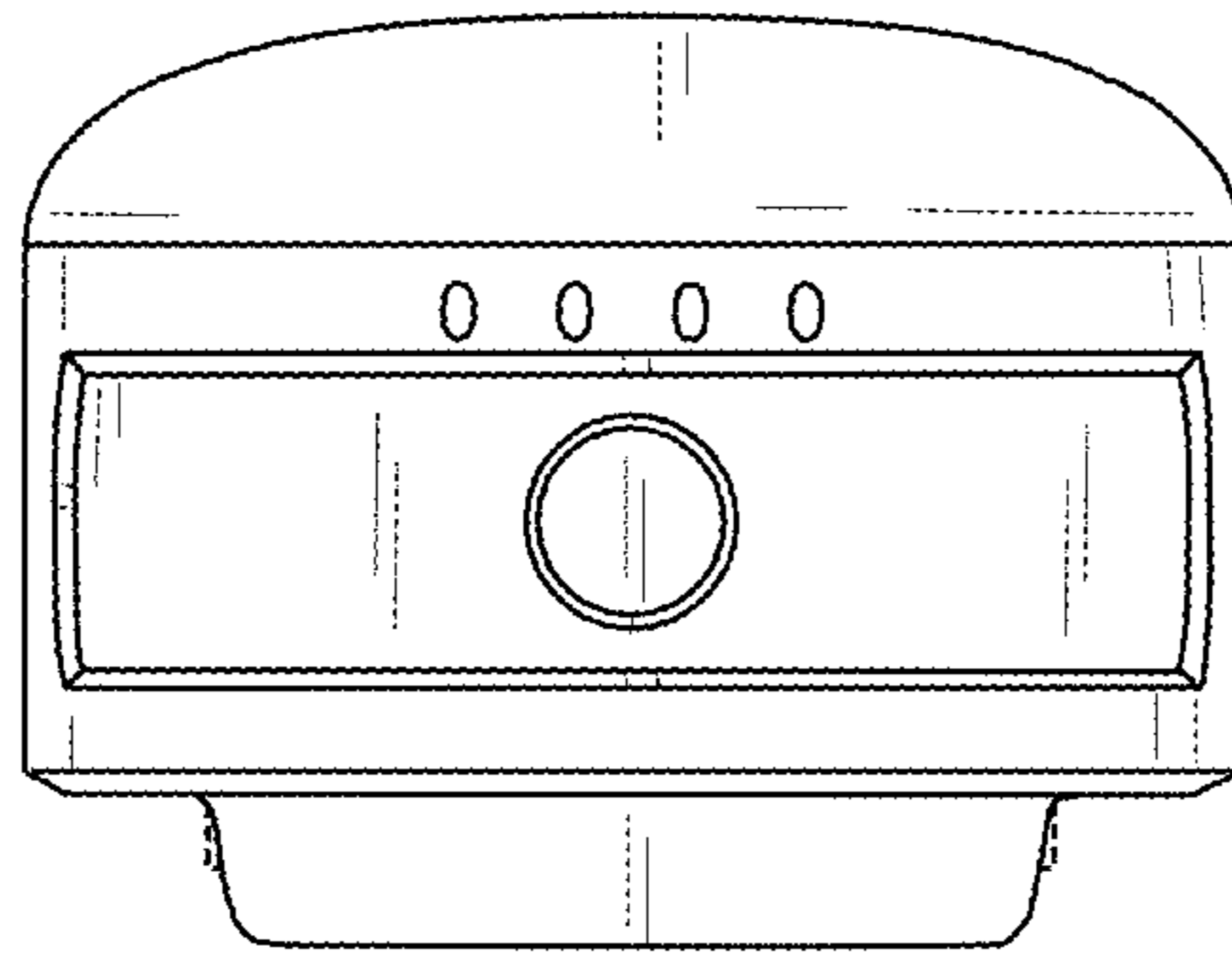
D448,002 S \* 9/2001 Yang ..... D13/103  
D524,728 S \* 7/2006 Watson ..... D13/103  
D529,438 S \* 10/2006 Viduya ..... D13/103

**1 Claim, 7 Drawing Sheets**

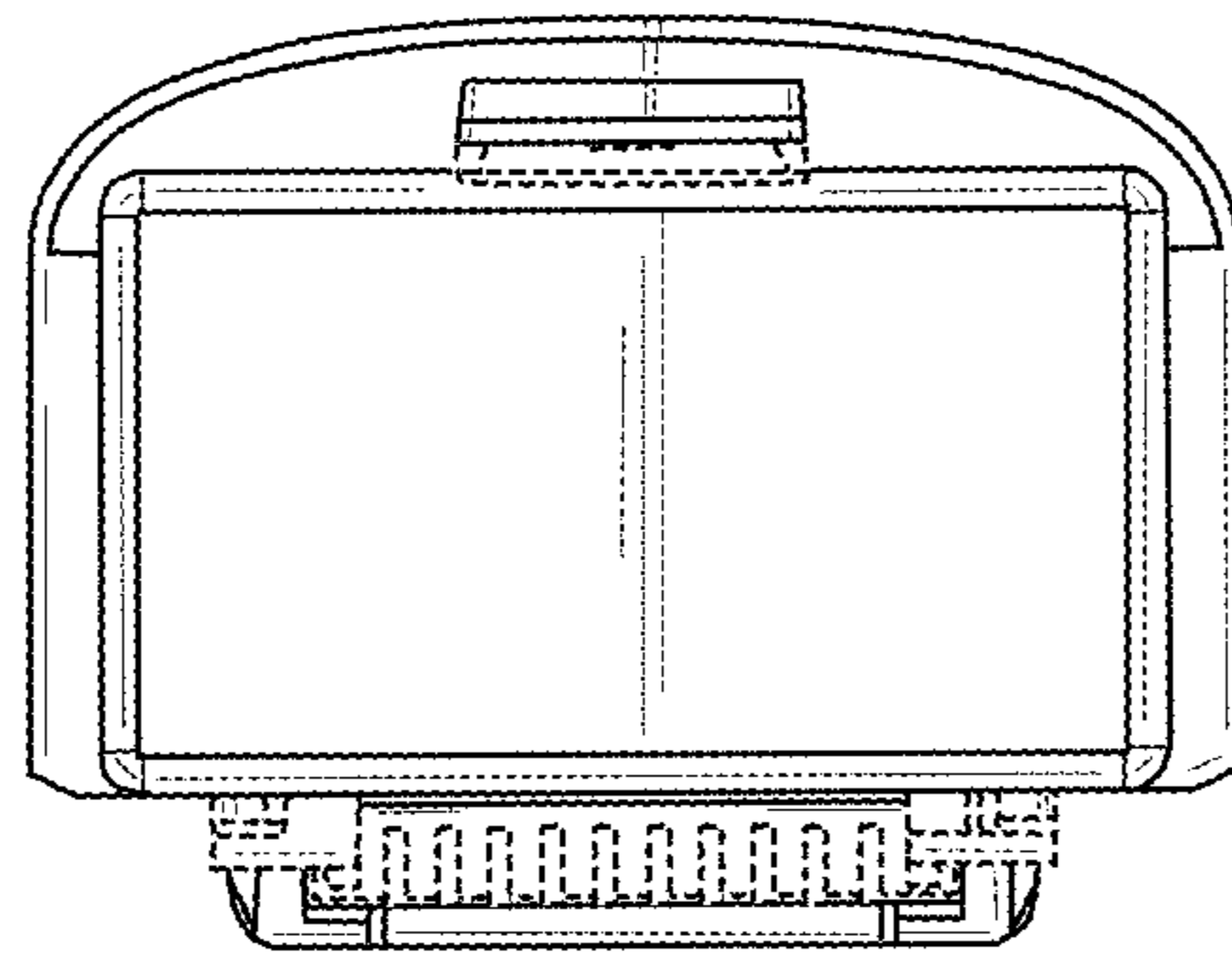




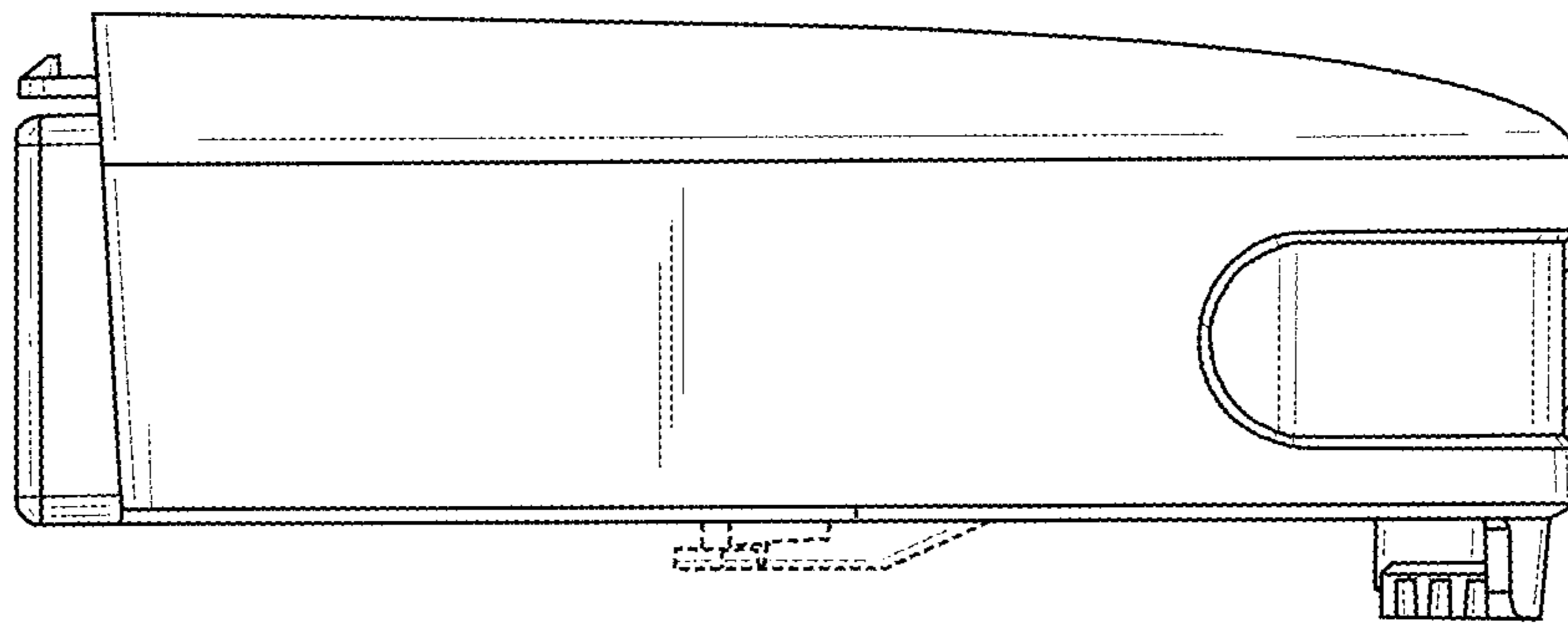
**FIG. 1**



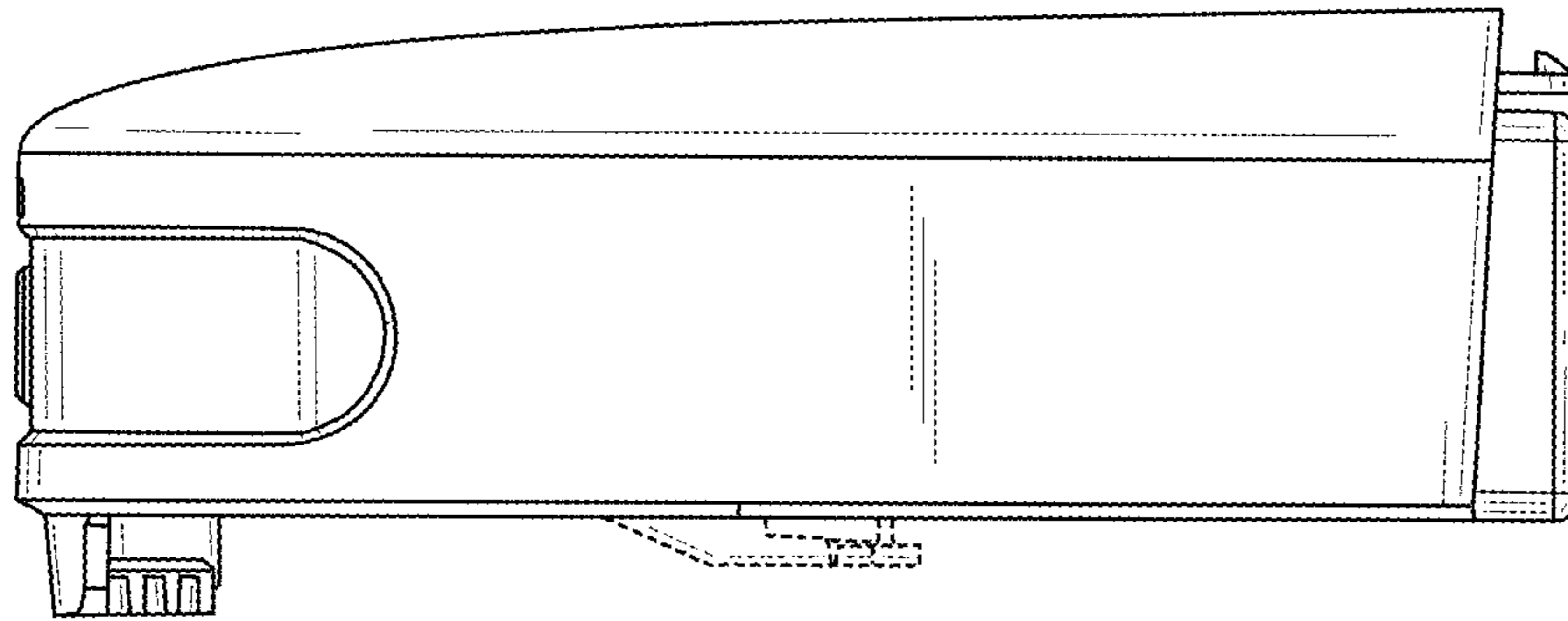
**FIG. 2**



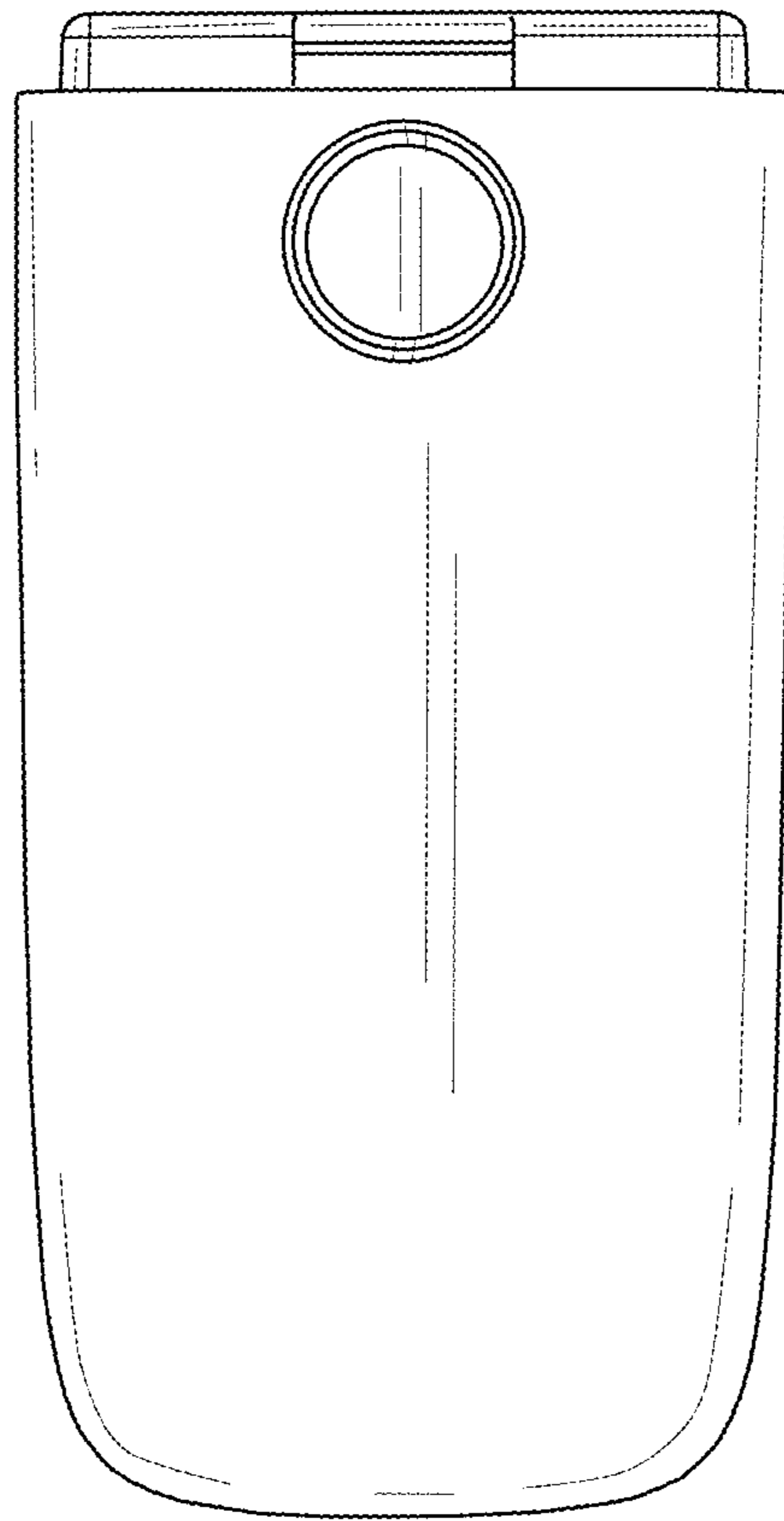
**FIG. 3**



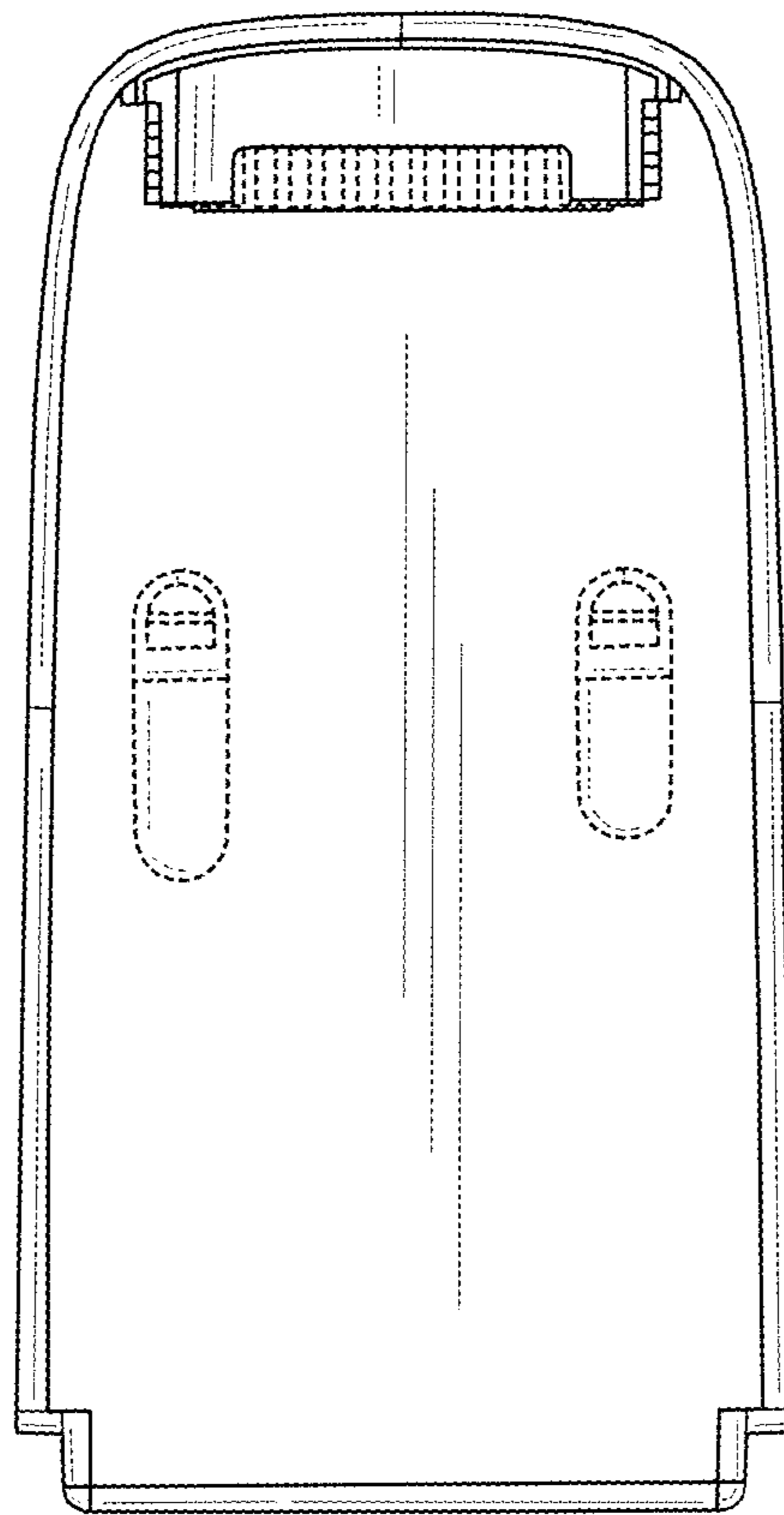
**FIG. 4**



**FIG. 5**



**FIG. 6**



**FIG. 7**