



US00D883191S

(12) **United States Design Patent**
Tanaka

(10) **Patent No.:** **US D883,191 S**

(45) **Date of Patent:** **** May 5, 2020**

(54) **TIRE**

(71) Applicant: **TOYO TIRE & RUBBER CO., LTD.**,
Itami-shi, Hyogo (JP)

(72) Inventor: **Masaya Tanaka**, Itami (JP)

(73) Assignee: **TOYO TIRE & RUBBER CO., LTD.**,
Itami-shi (JP)

(**) Term: **15 Years**

(21) Appl. No.: **29/663,828**

(22) Filed: **Sep. 19, 2018**

(30) **Foreign Application Priority Data**

Mar. 23, 2018 (JP) 2018-006243

(51) **LOC (12) Cl.** **12-15**

(52) **U.S. Cl.**
USPC **D12/600**

(58) **Field of Classification Search**
USPC D12/568, 574-604
CPC Y10T 152/10027; B60C 1/0016; B60C
11/0306; B60C 11/0302; B60C 3/06;
B60C 9/17

See application file for complete search history.

(56) **References Cited**

U.S. PATENT DOCUMENTS

D585,364 S * 1/2009 Shondel D12/600
D649,110 S * 11/2011 Hutz D12/601
D668,601 S * 10/2012 Brown, IV D12/588
D780,678 S * 3/2017 Maxwell D12/595
D792,839 S * 7/2017 Maxwell D12/595

D838,664 S * 1/2019 Pribula D12/595
D843,314 S * 3/2019 Xiang D12/595
D849,671 S * 5/2019 Wang D12/588
D853,948 S * 7/2019 Wang D12/601
D853,949 S * 7/2019 Zimmerman D12/601
D859,300 S * 9/2019 Shondel D12/588

FOREIGN PATENT DOCUMENTS

JP 1311943 S 10/2007
JP 1553521 S 6/2017

* cited by examiner

Primary Examiner — Lakiya G Rogers

Assistant Examiner — John A Voytek

(74) *Attorney, Agent, or Firm* — Sterne, Kessler,
Goldstein & Fox P.L.L.C.

(57) **CLAIM**

The ornamental design for a tire, as shown and described.

DESCRIPTION

FIG. 1 is a front perspective view of a tire showing the claimed design;

FIG. 2 is a front view thereof;

FIG. 3 is a rear view thereof;

FIG. 4 is a top plan view thereof;

FIG. 5 is a bottom plan view thereof;

FIG. 6 is a right side view thereof;

FIG. 7 is a left side view thereof;

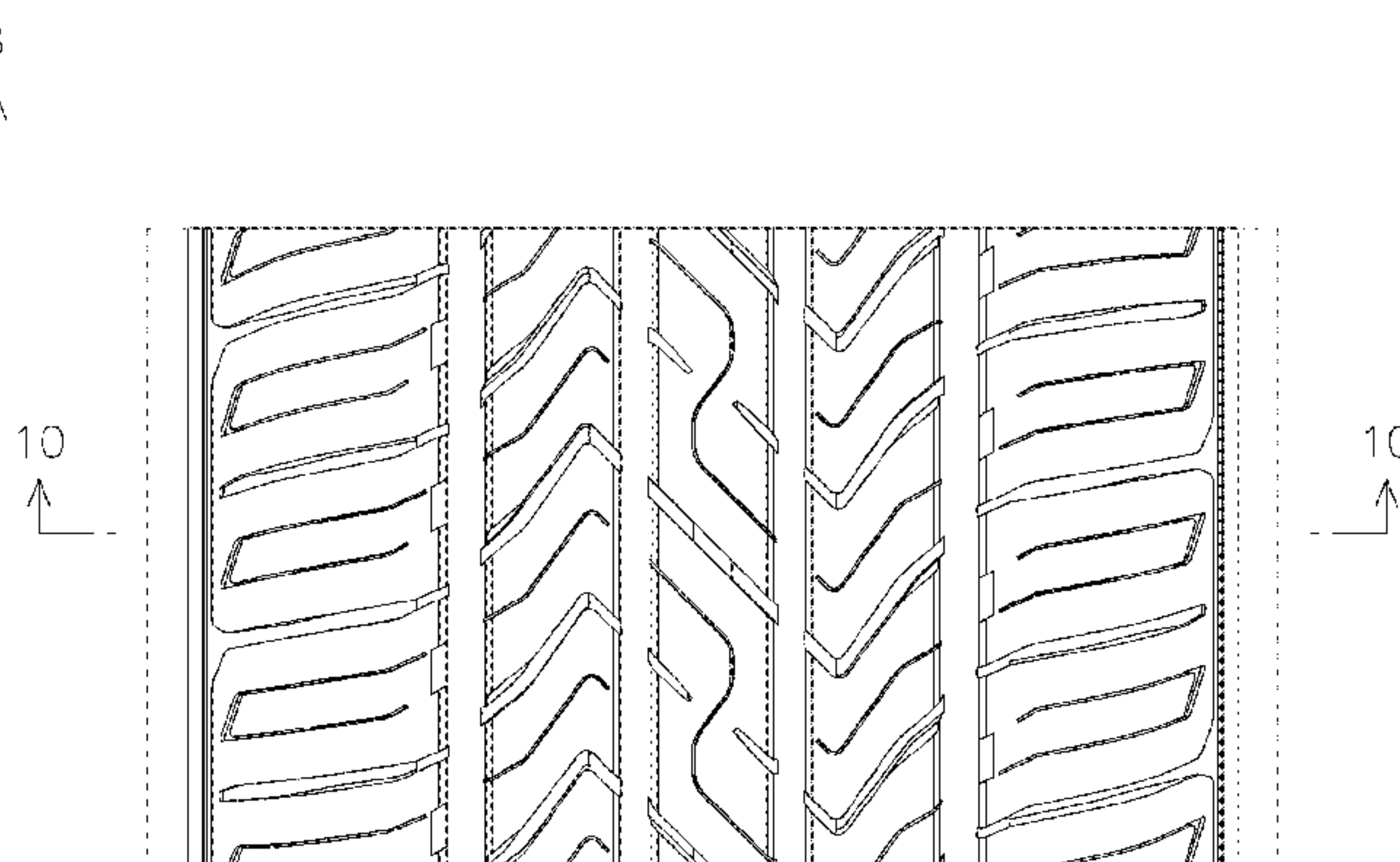
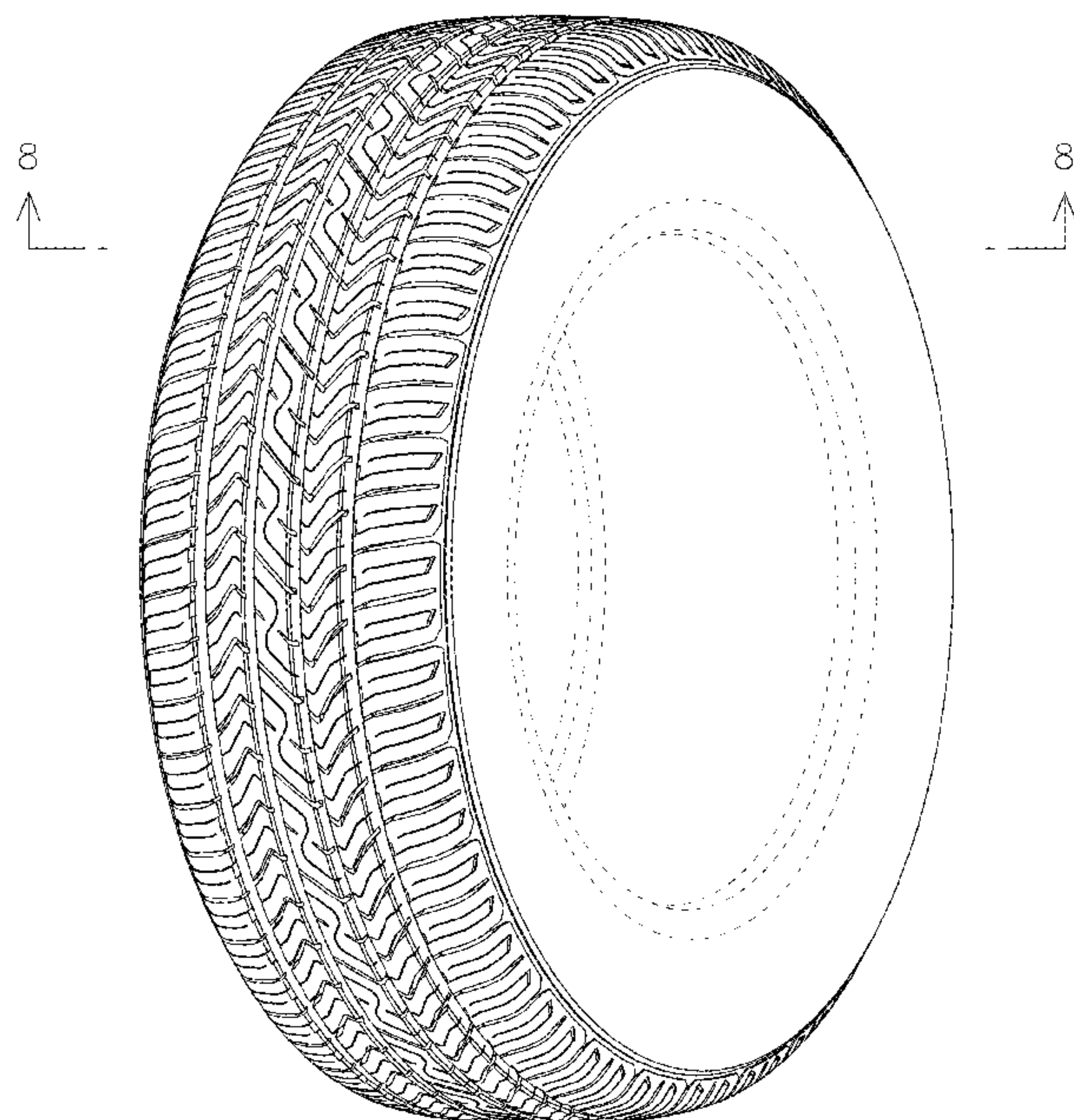
FIG. 8 is an enlarged view taken along line 8-8 in FIG. 1;

FIG. 9 is an enlarged view of the portion 9-9 in FIG. 2; and,

FIG. 10 is a cross-sectional view taken along line 10-10 in FIG. 9.

In the drawings, the broken lines show portions of the tire that form no part of the claimed design.

1 Claim, 10 Drawing Sheets



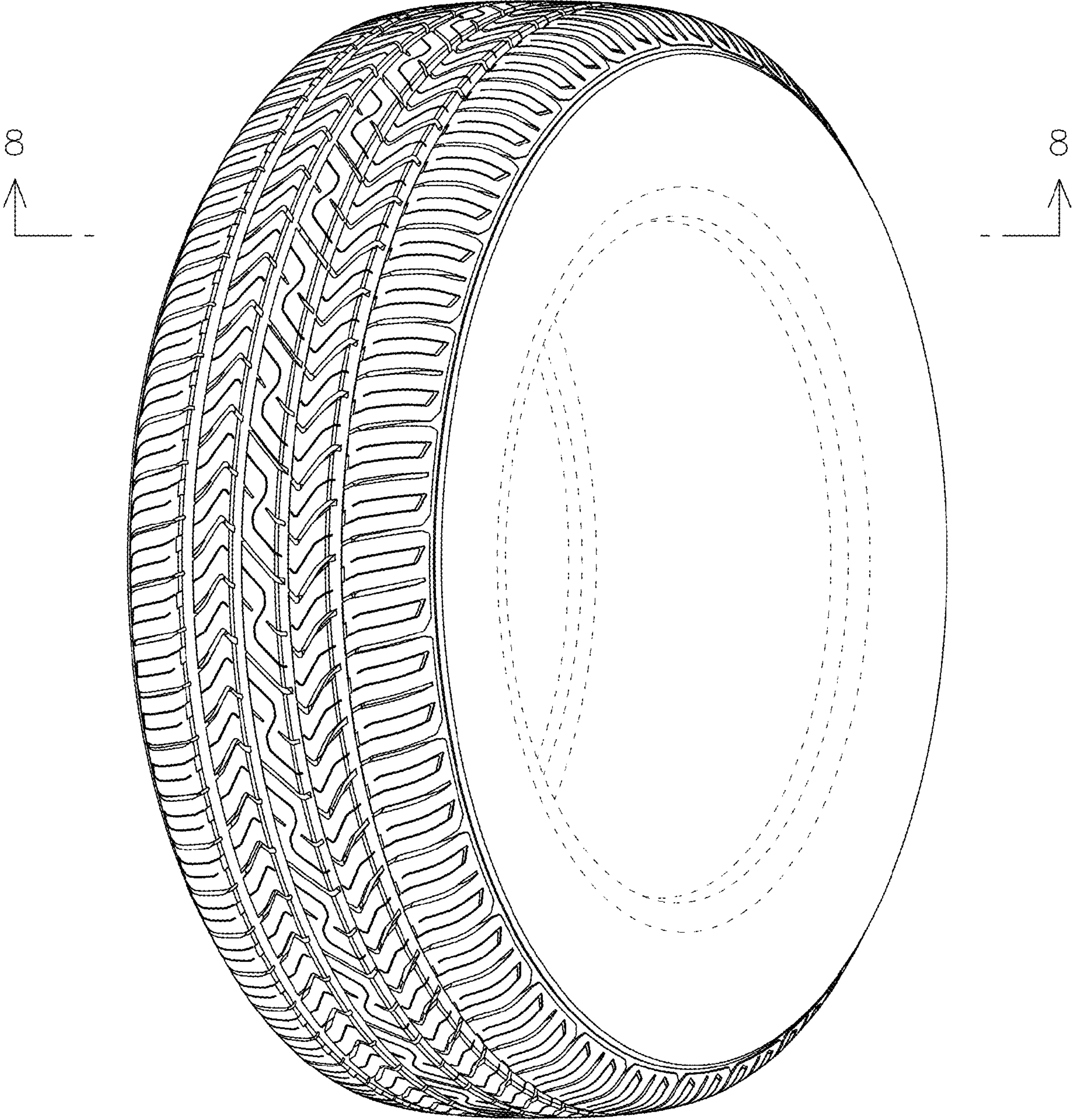


FIG. 1

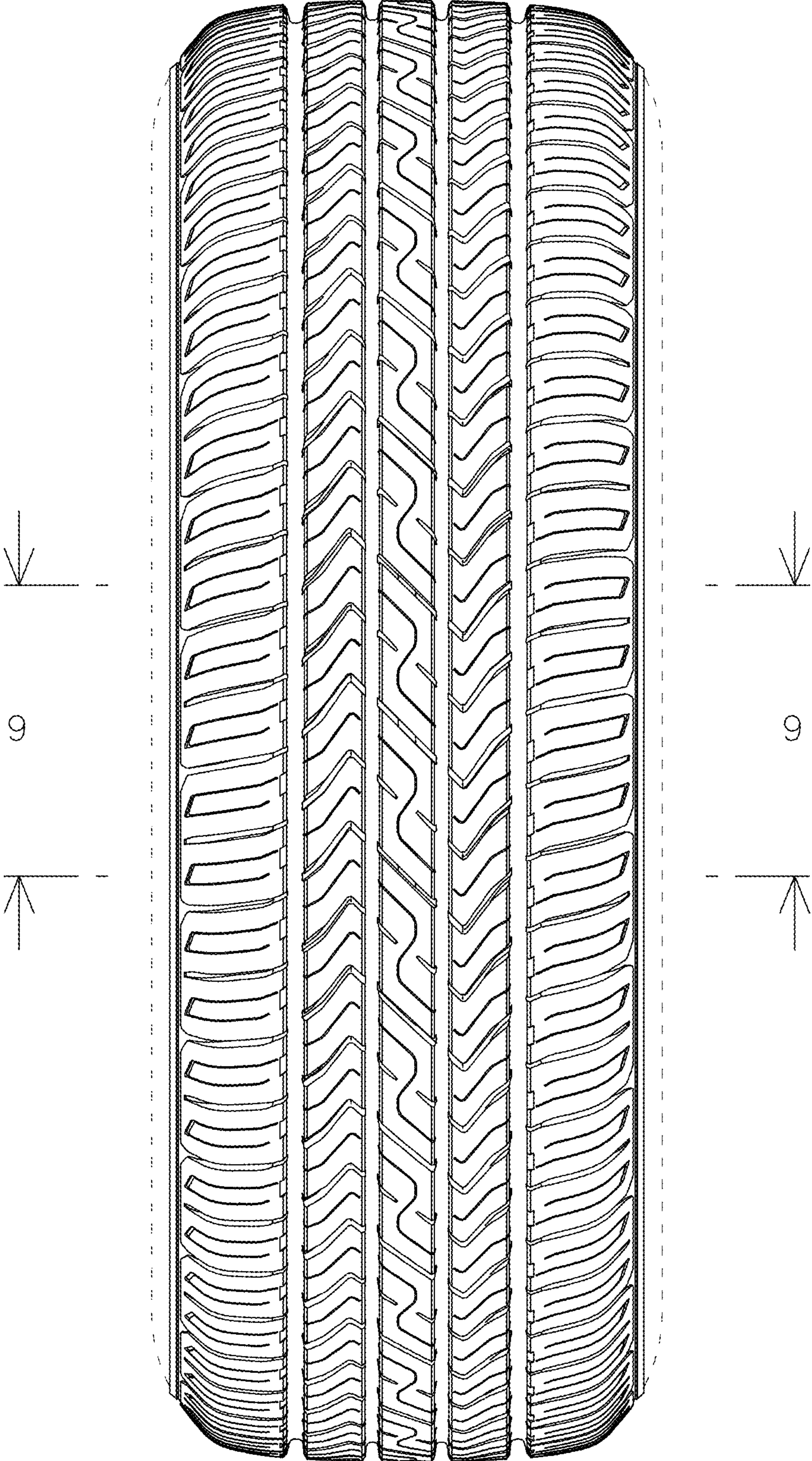


FIG. 2

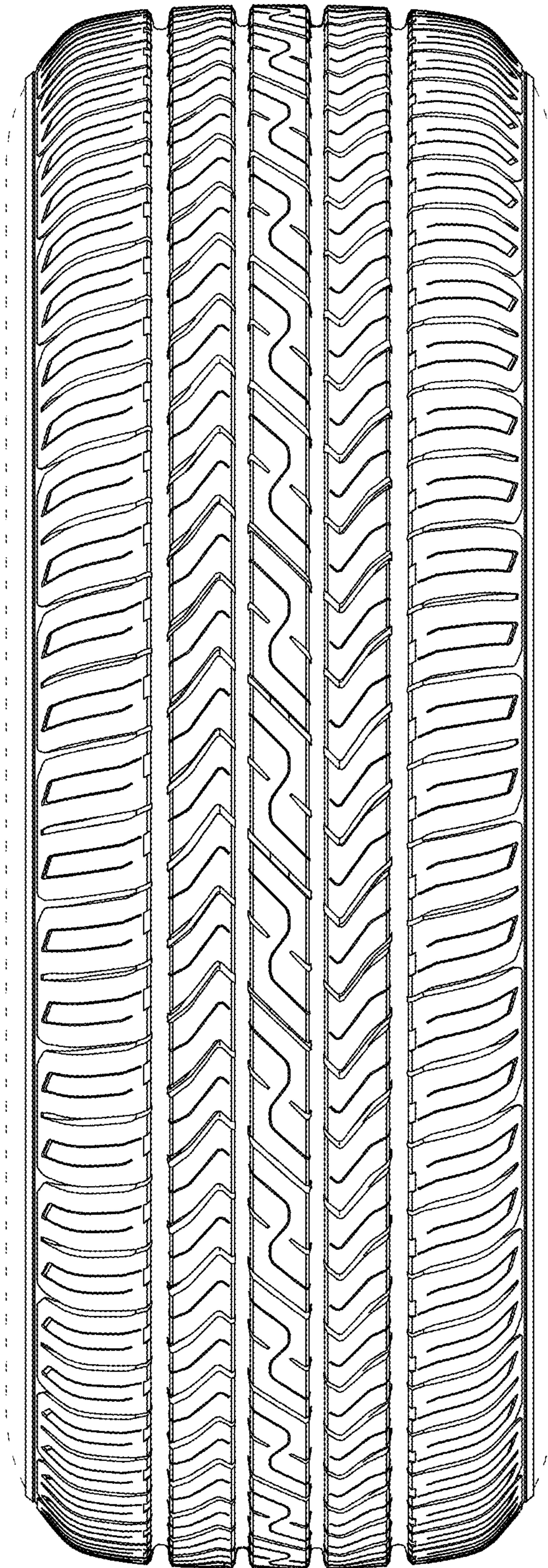


FIG. 3

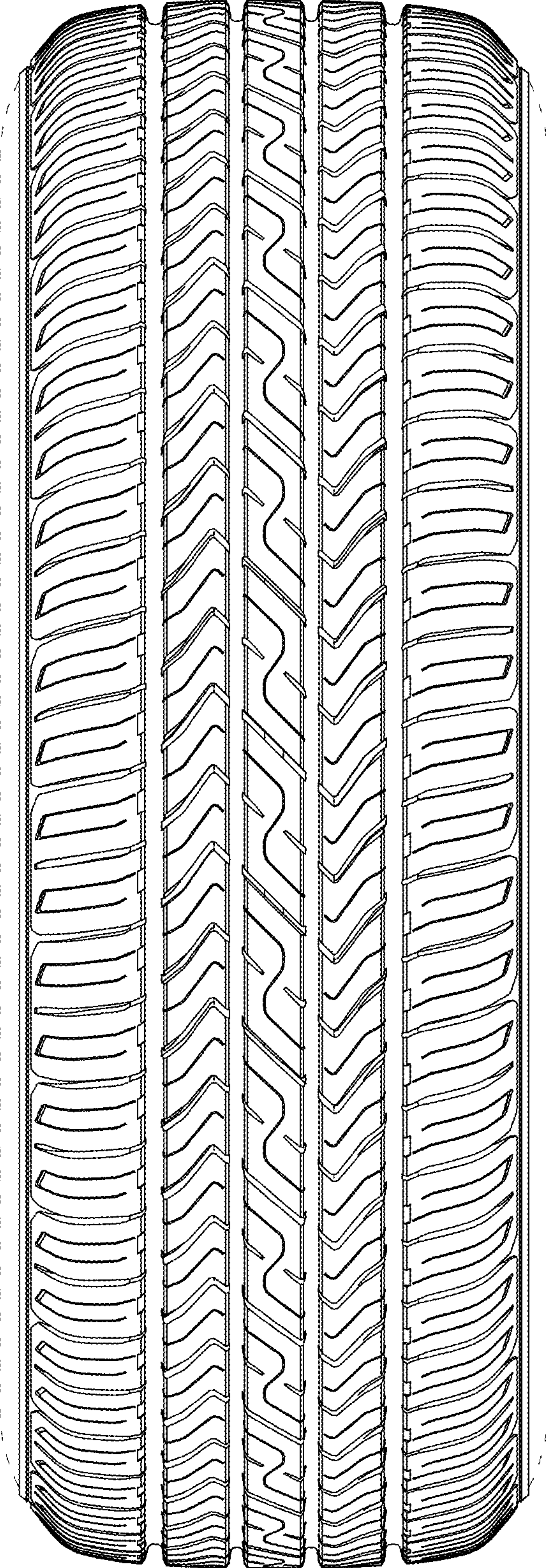


FIG. 4

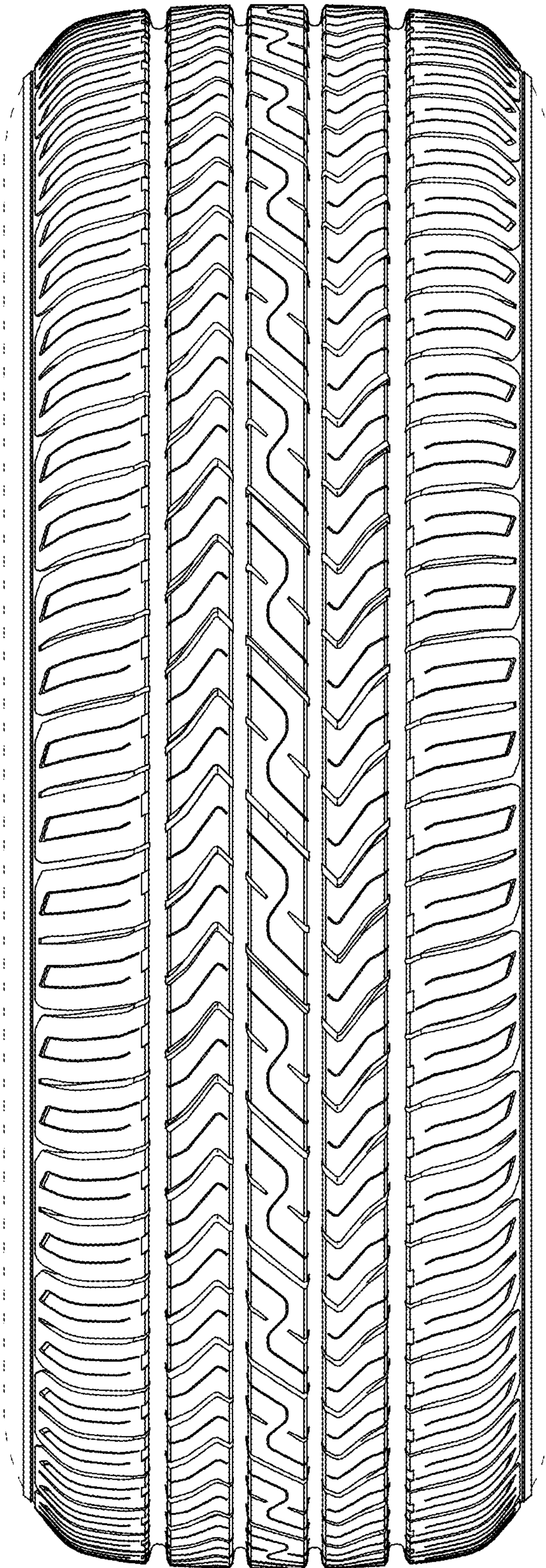


FIG. 5

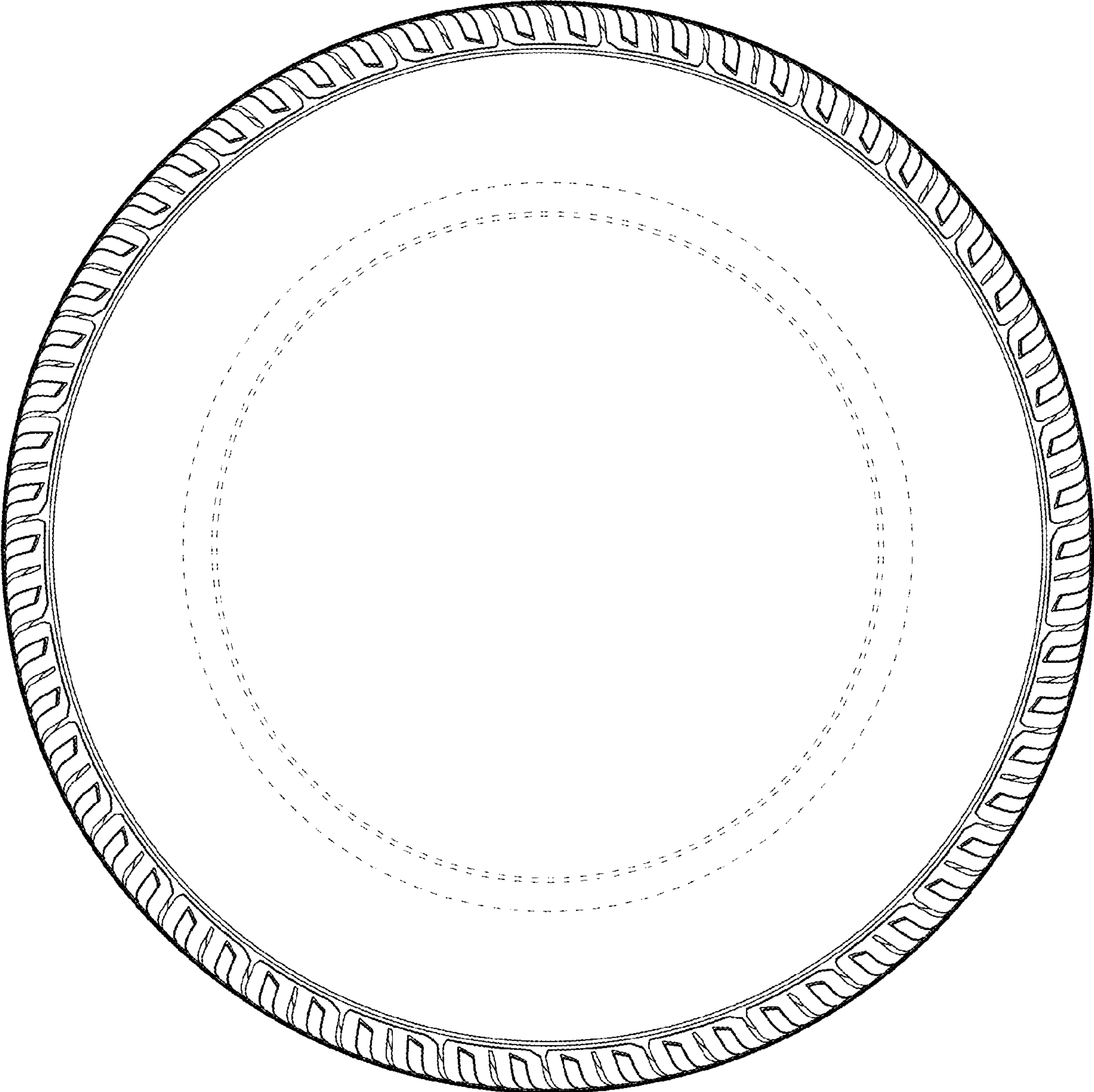


FIG. 6

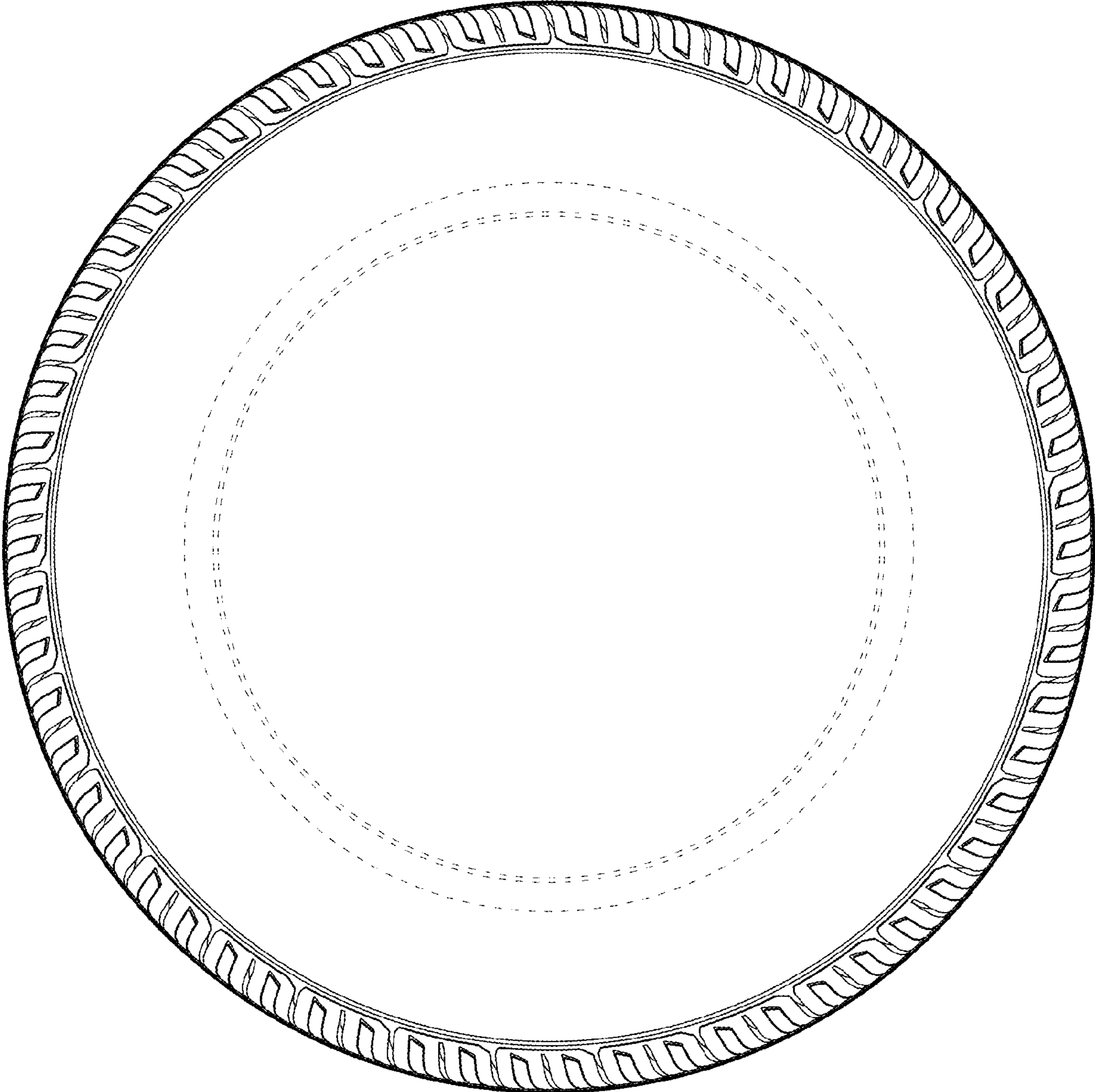


FIG. 7

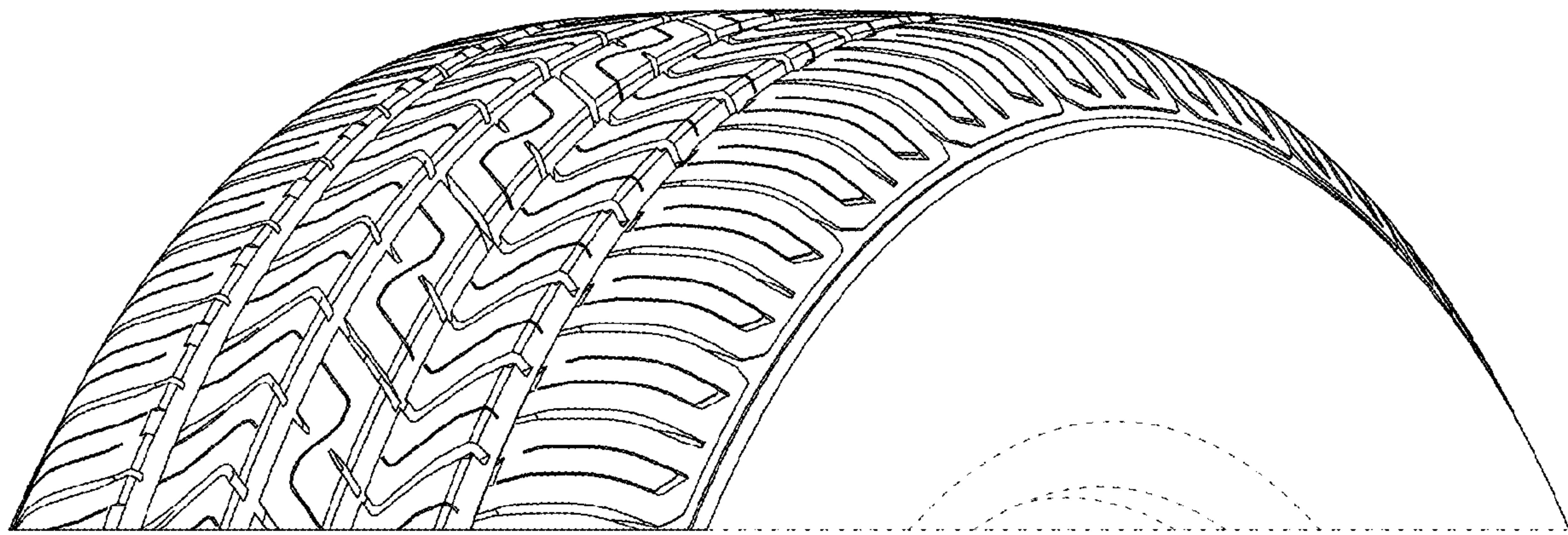


FIG. 8

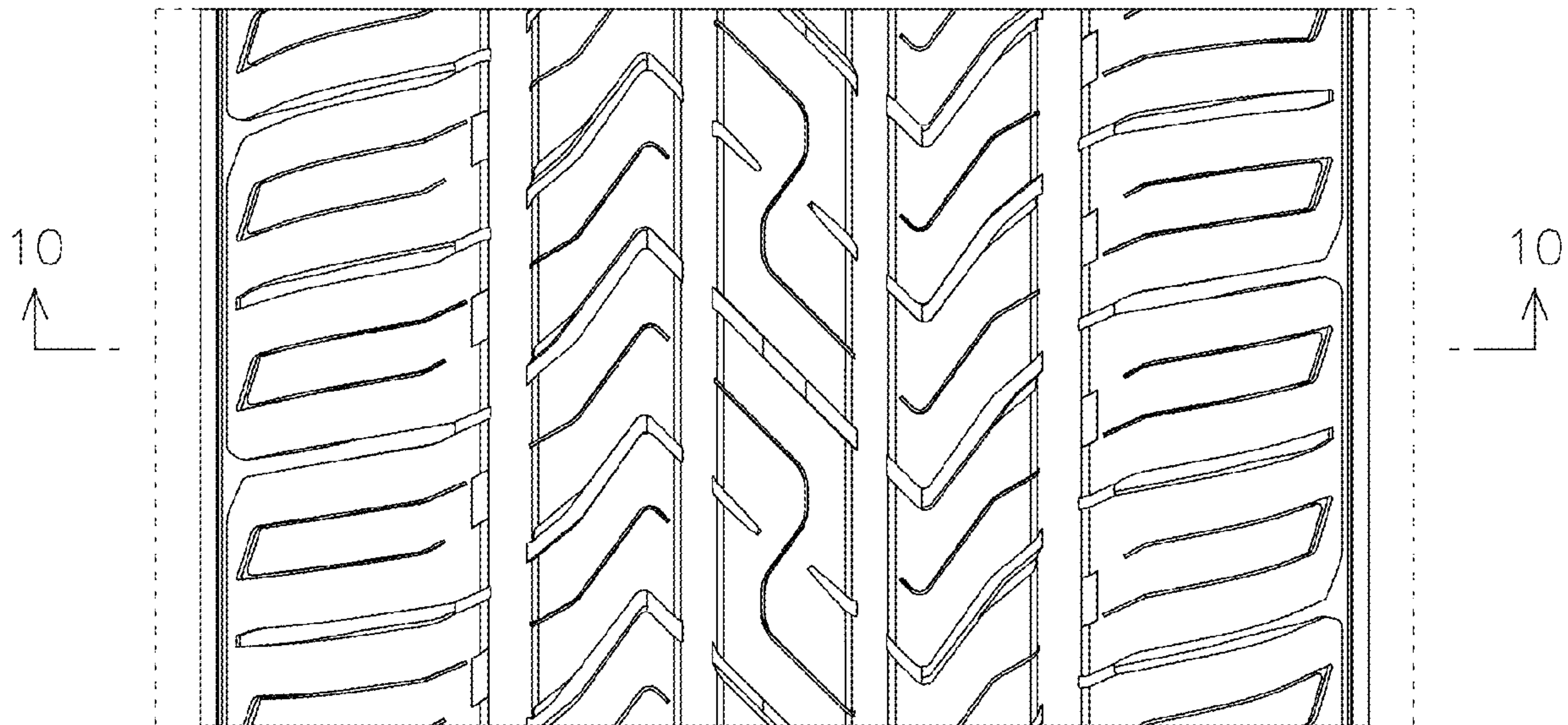


FIG. 9

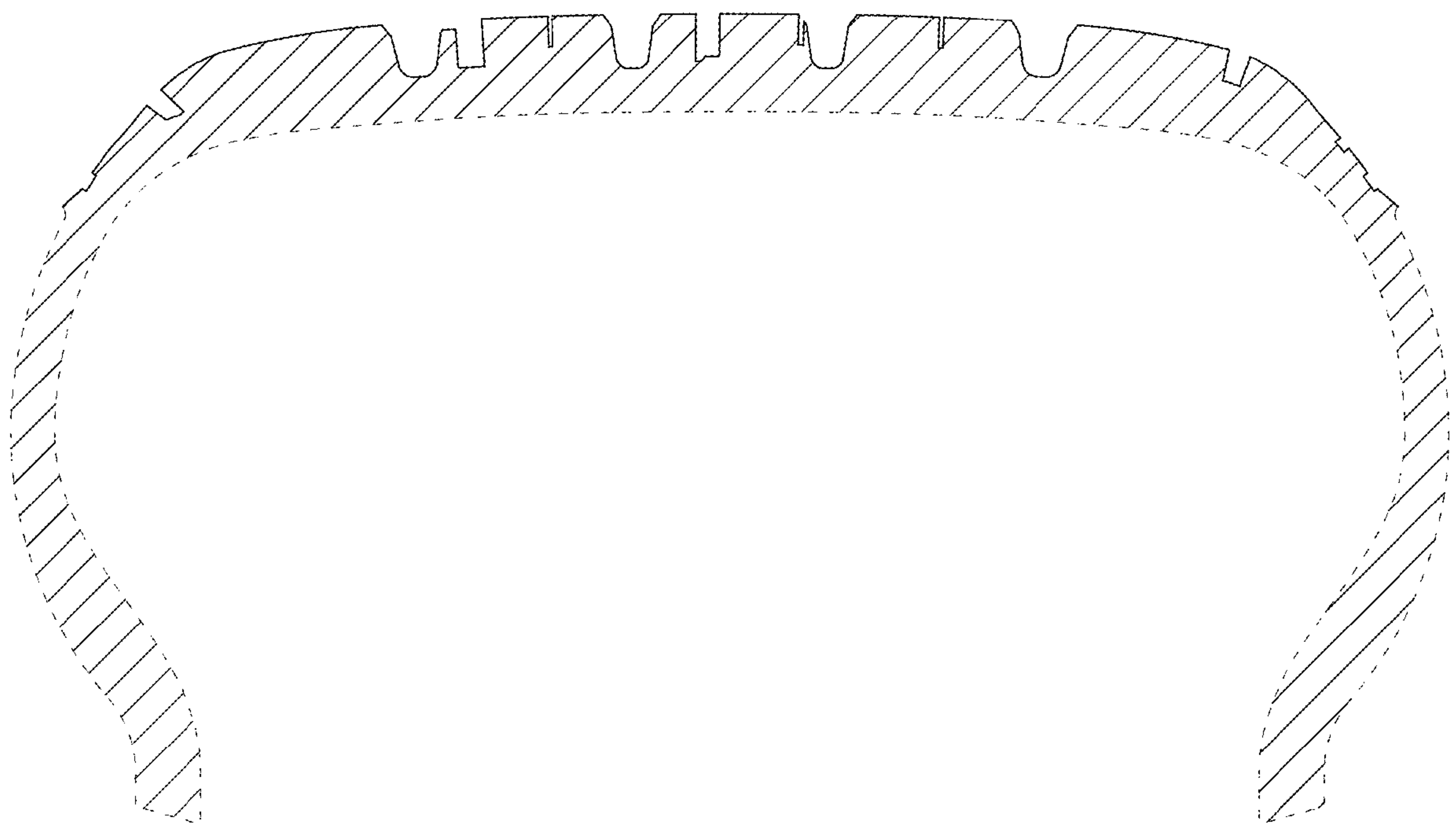


FIG. 10