



US00D883183S

(12) **United States Design Patent**
Tollefson

(10) **Patent No.:** **US D883,183 S**

(45) **Date of Patent:** **** May 5, 2020**

(54) **TOOL-BOX**

(71) Applicant: **Dale Tollefson**, Brush Prairie, WA (US)

(72) Inventor: **Dale Tollefson**, Brush Prairie, WA (US)

(73) Assignee: **PEAK RECREATIONAL PRODUCTS, LLC**, Brush Prairie, WA (US)

(**) Term: **15 Years**

(21) Appl. No.: **29/656,311**

(22) Filed: **Jul. 11, 2018**

(51) **LOC (12) Cl.** **12-16**

(52) **U.S. Cl.**
USPC **D12/414**

(58) **Field of Classification Search**
USPC D12/414.1, 412-413, 221, 406, 157, 423,
D12/414.4; D3/304-306; D32/35, 58;
D6/552, 317-319, 513-514
CPC .. B60R 7/02; B60R 9/04; B60R 9/055; B60R
9/065; Y10S 224/925
See application file for complete search history.

(56) **References Cited**

U.S. PATENT DOCUMENTS

D372,454 S * 8/1996 Murray, Sr. D12/218
D384,934 S * 10/1997 Grisel D12/424
D515,314 S * 2/2006 Stantial D12/414.1

D658,373 S 5/2012 Gros
D679,906 S * 4/2013 Gros D12/414.1
D771,544 S * 11/2016 Christofferson D12/414.1
D772,141 S * 11/2016 Christofferson D12/414.1
D811,987 S * 3/2018 Mueller D12/414.1
D816,587 S * 5/2018 Perkins D12/414.1

* cited by examiner

Primary Examiner — Abraham Bahta

(74) *Attorney, Agent, or Firm* — PatentTM.US; James Walters

(57) **CLAIM**

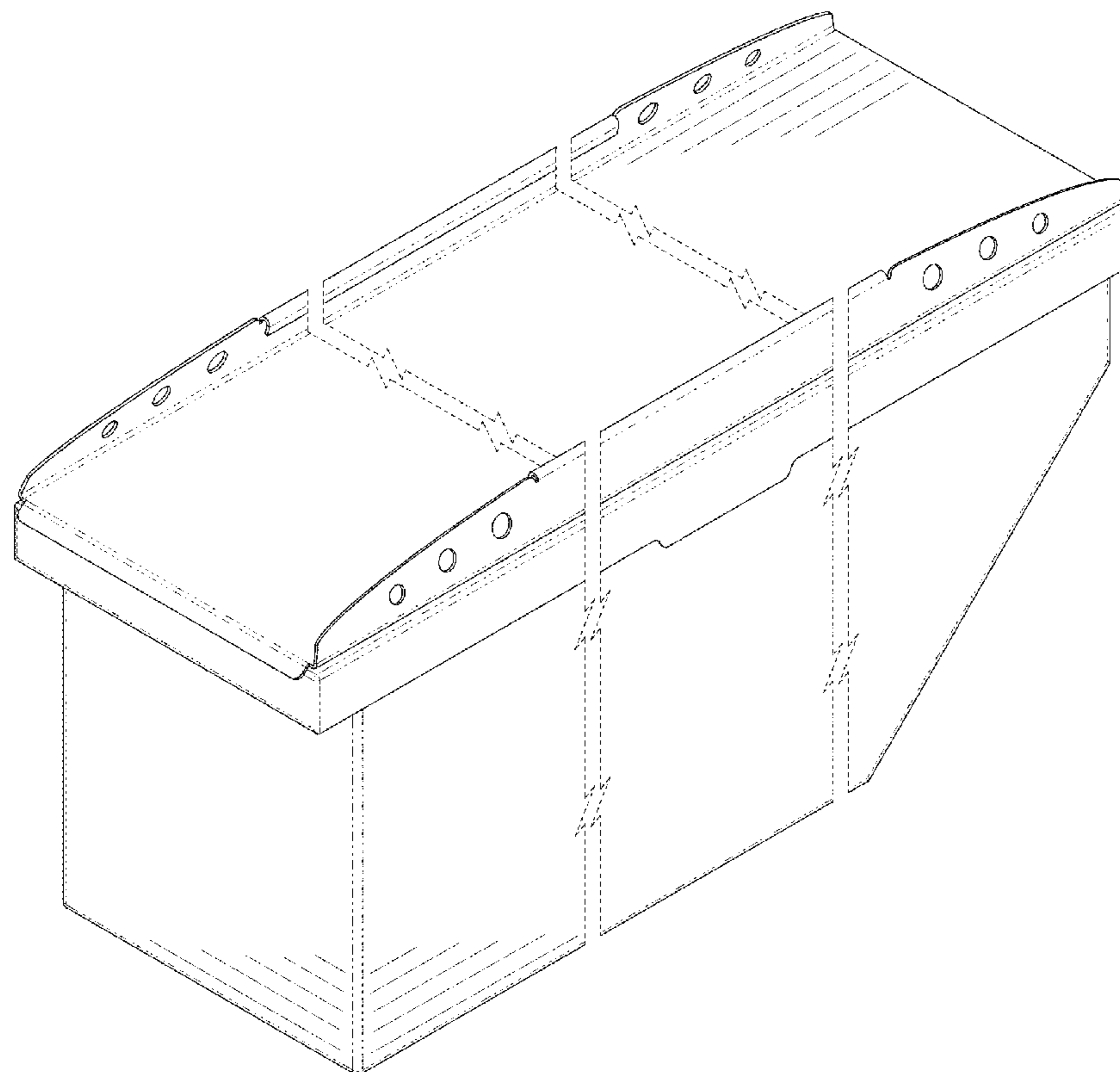
The ornamental design for a tool-box, as shown and described.

DESCRIPTION

FIG. 1 is a perspective view of a tool-box, showing my new design;
FIG. 2 is another perspective view thereof;
FIG. 3 is a front view thereof;
FIG. 4 is a top view thereof;
FIG. 5 is a bottom view thereof;
FIG. 6 is a right side view thereof;
FIG. 7 is a left side view thereof; and,
FIG. 8 is rear view thereof.

The dash-double-dot lines in the drawings represent tangent points of a radius edge. The breakaway portions shown in FIGS. 1-5 are included to show that the tool-box has no specific length. Shading in the figures are for illustrative purposes only and form no part of the claimed design.

1 Claim, 7 Drawing Sheets



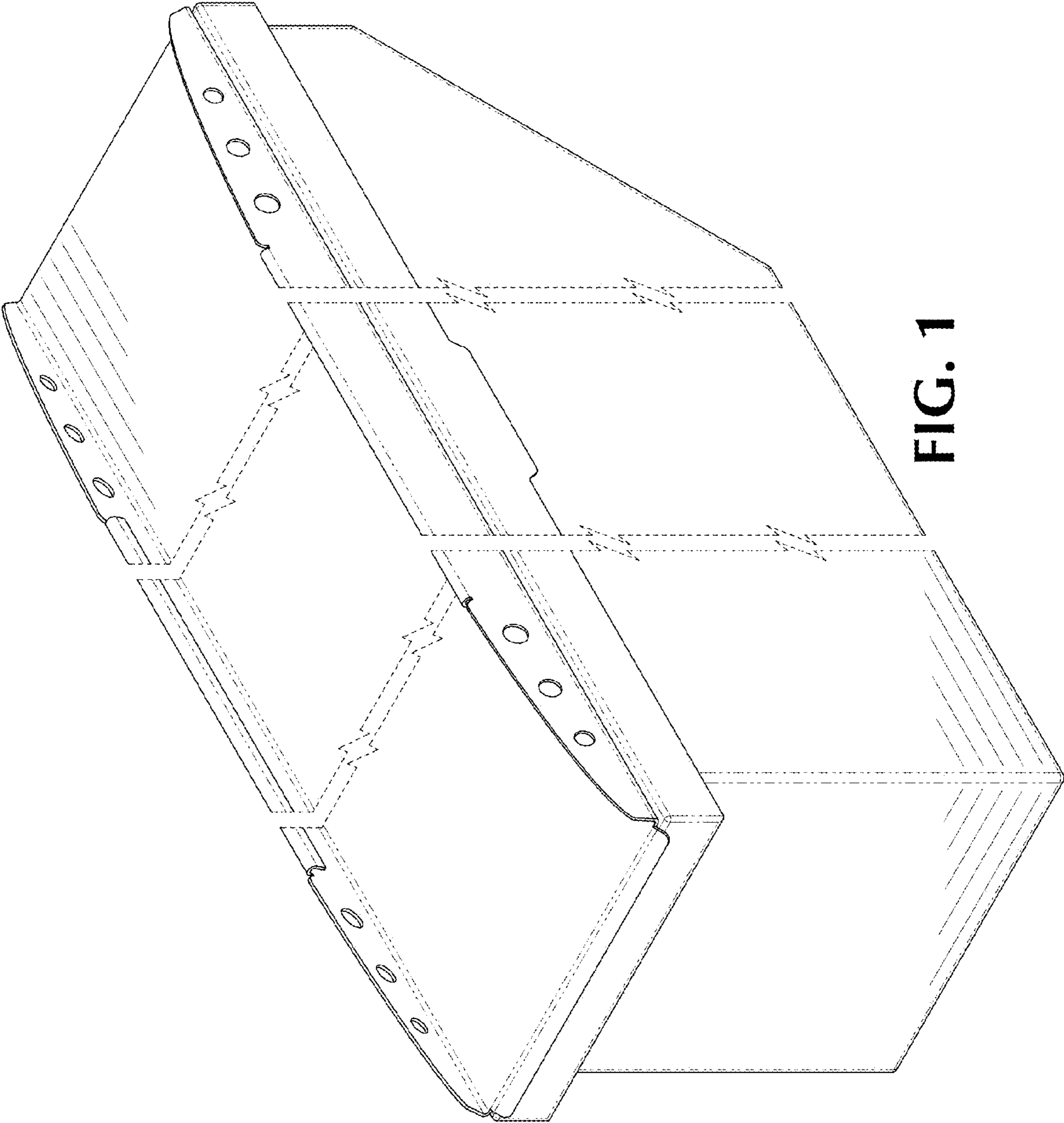


FIG. 1

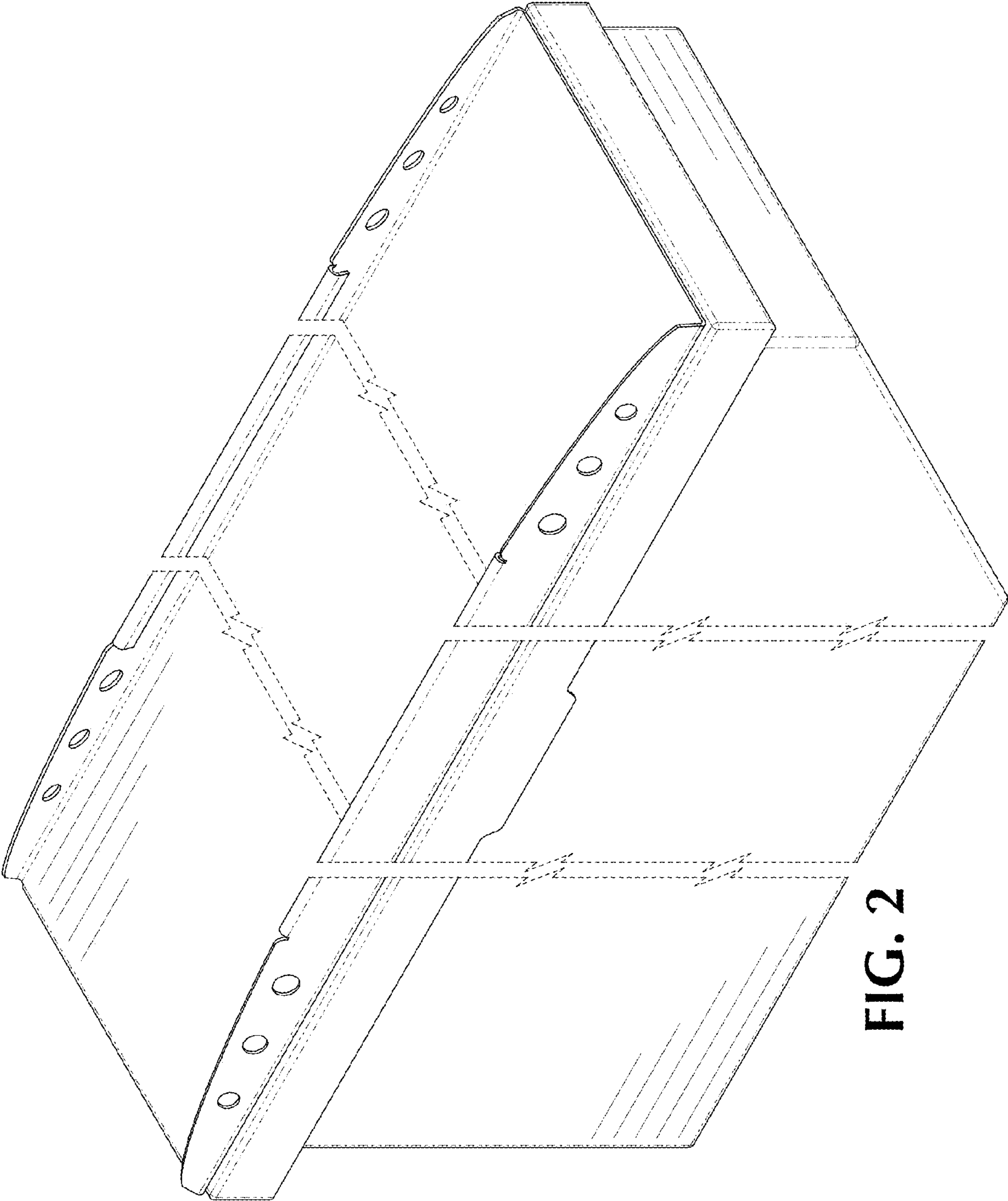


FIG. 2

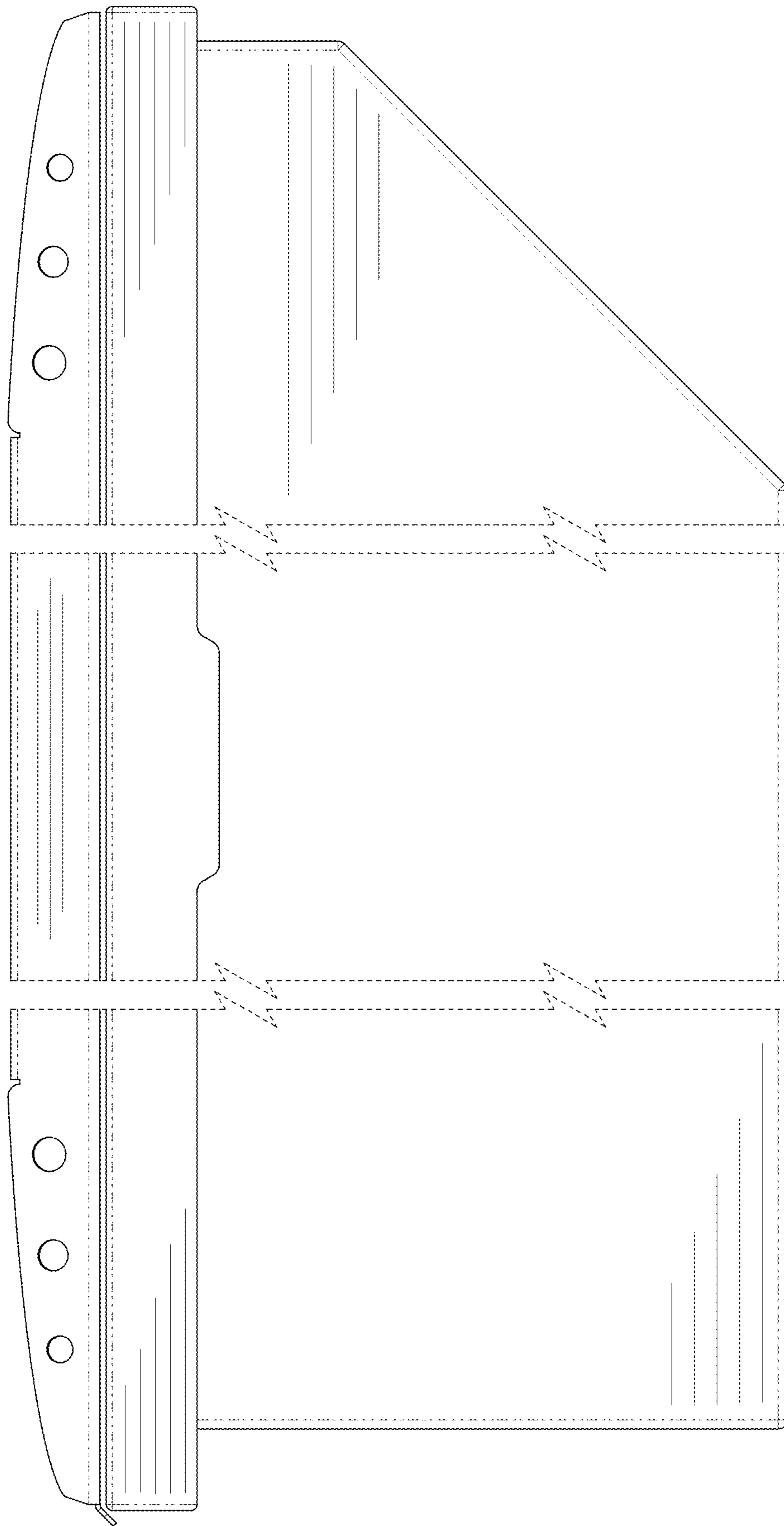


FIG. 3

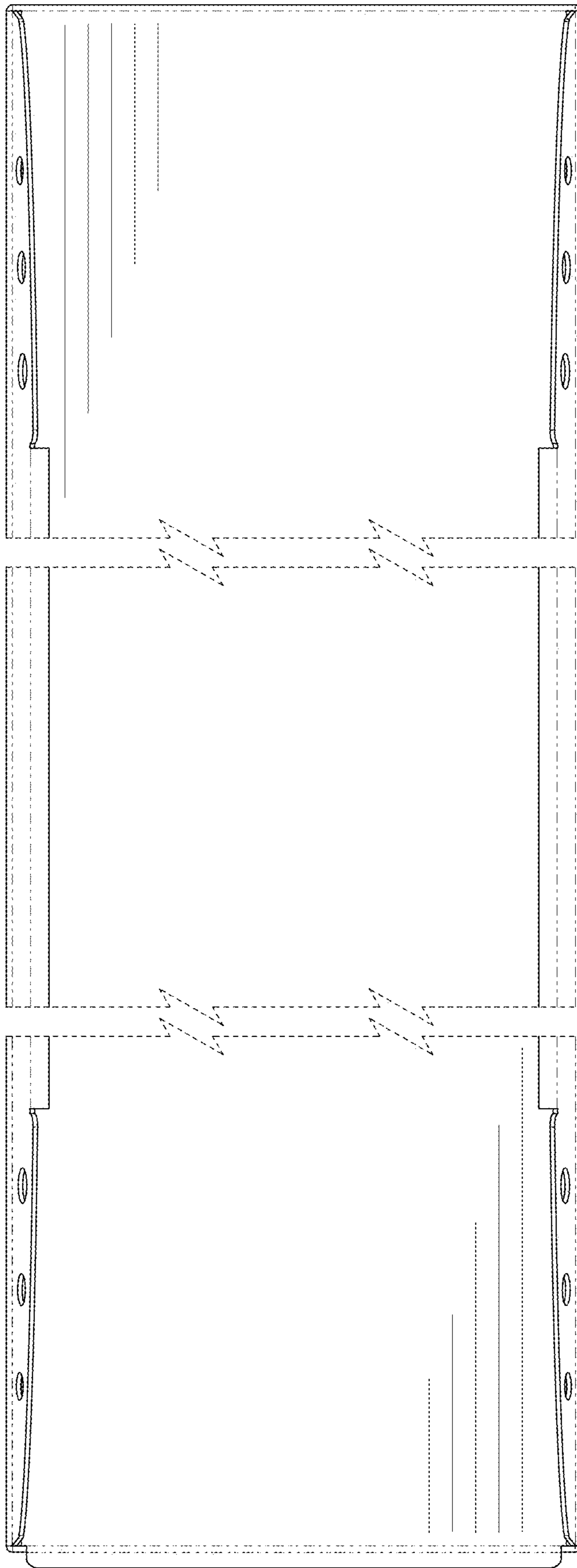


FIG. 4

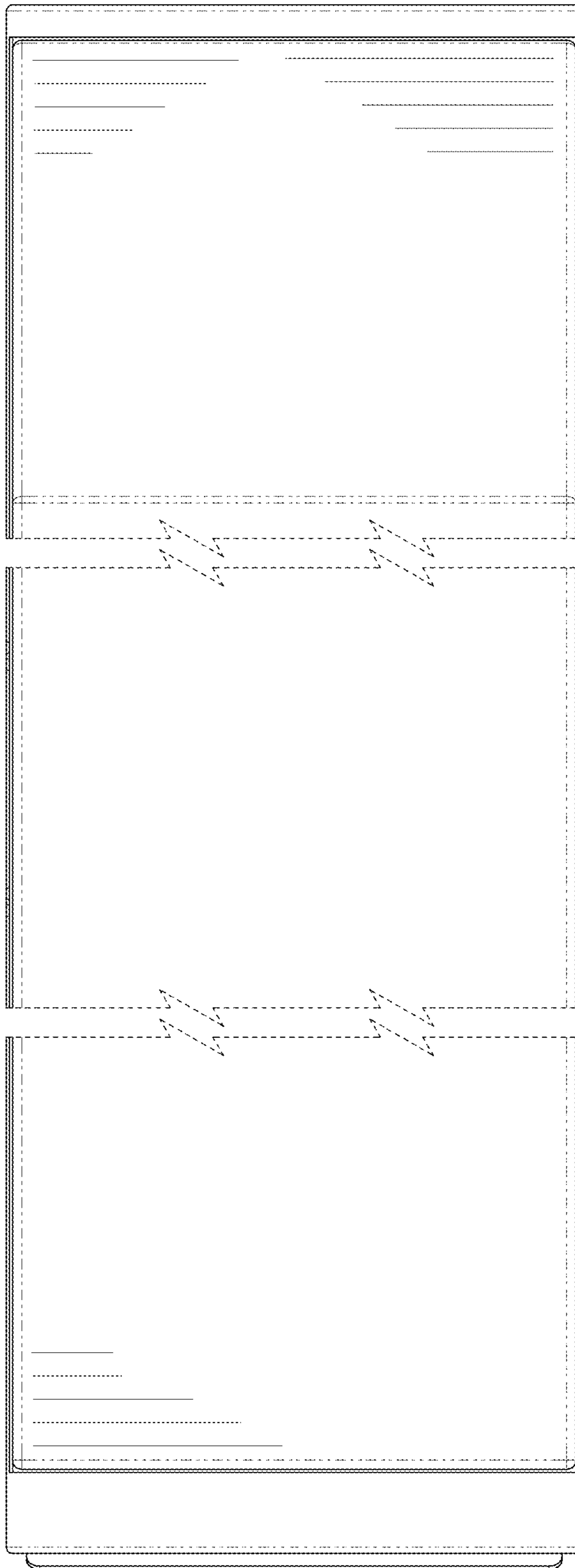


FIG. 5

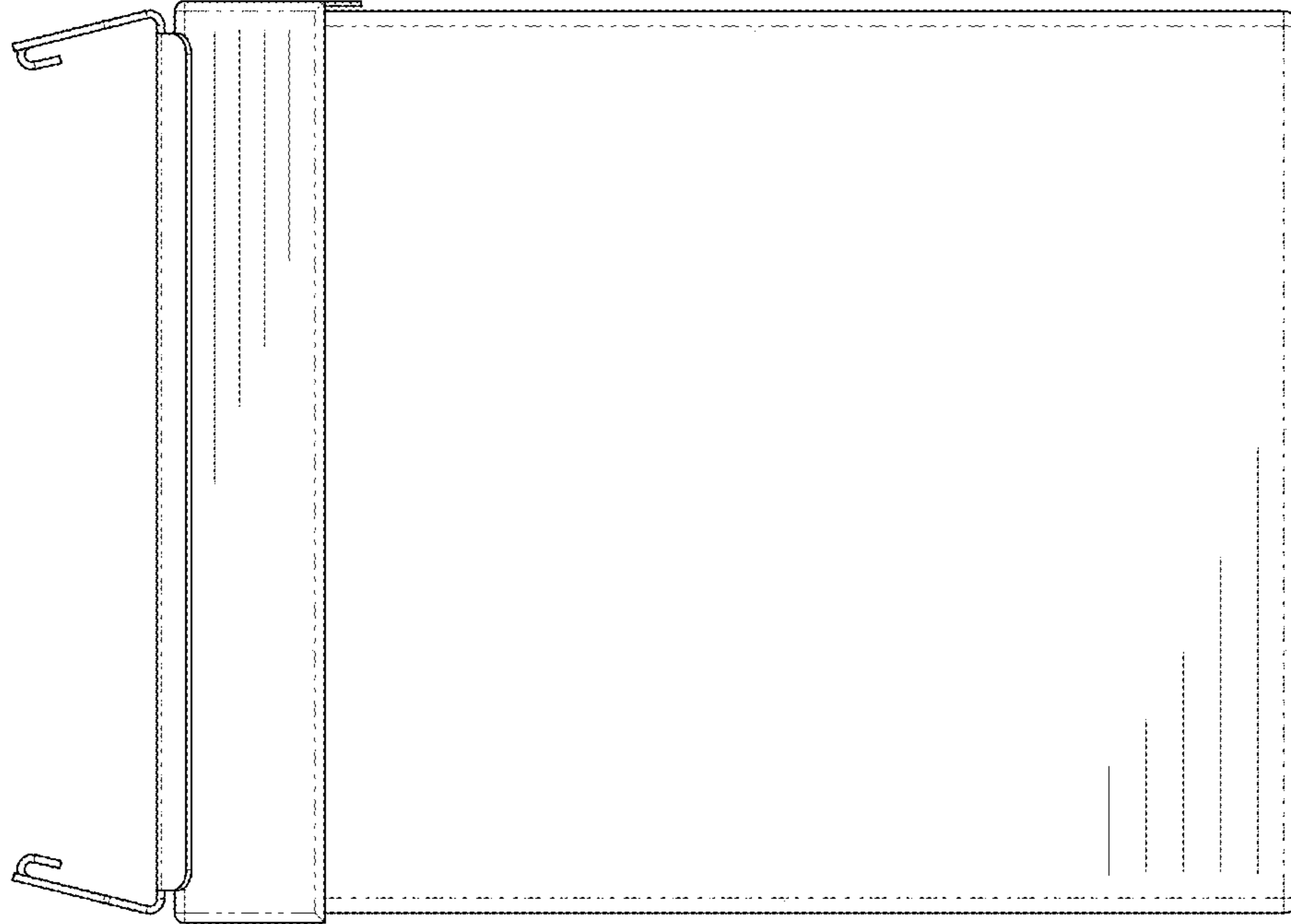


FIG. 7

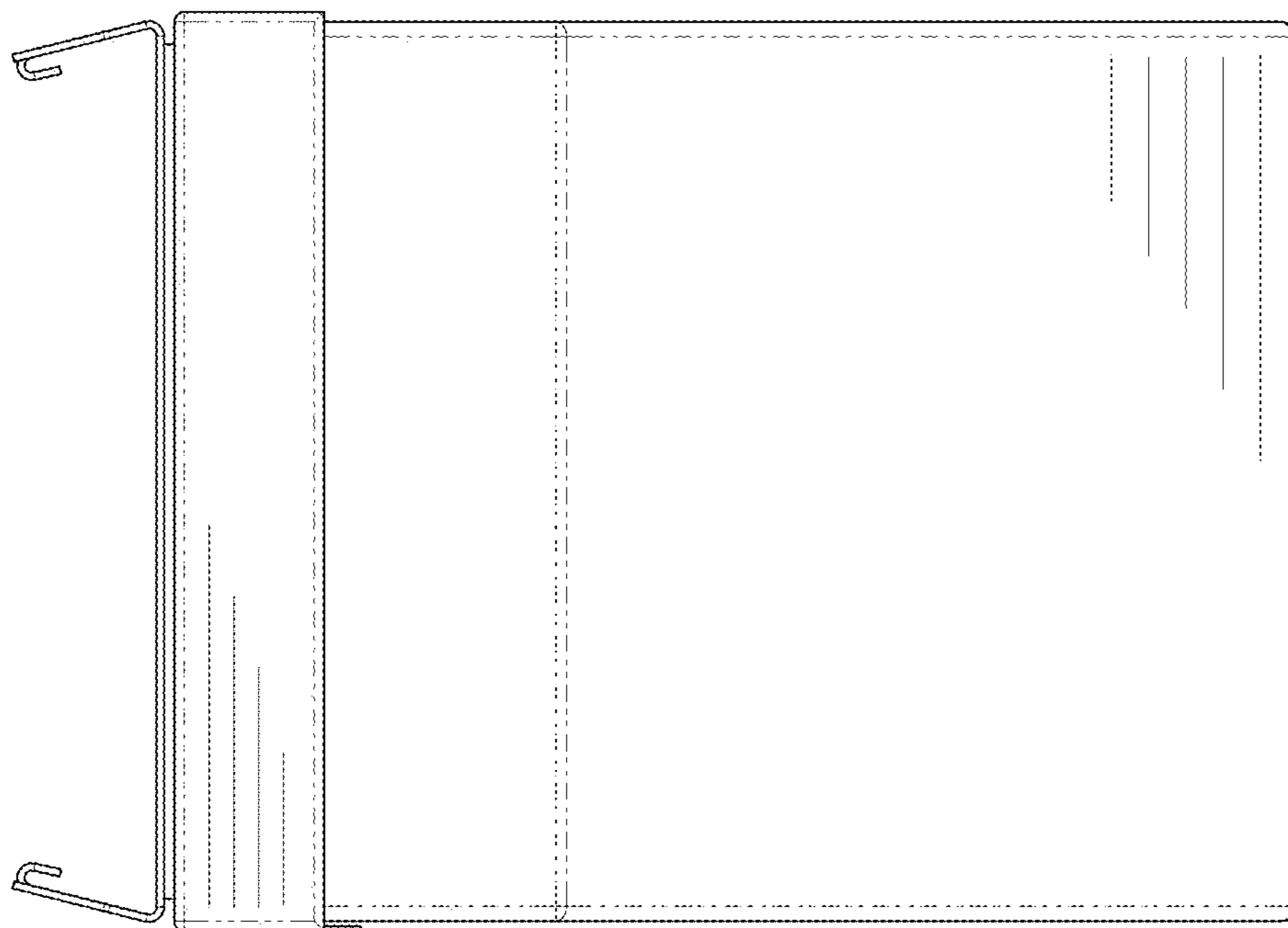


FIG. 6

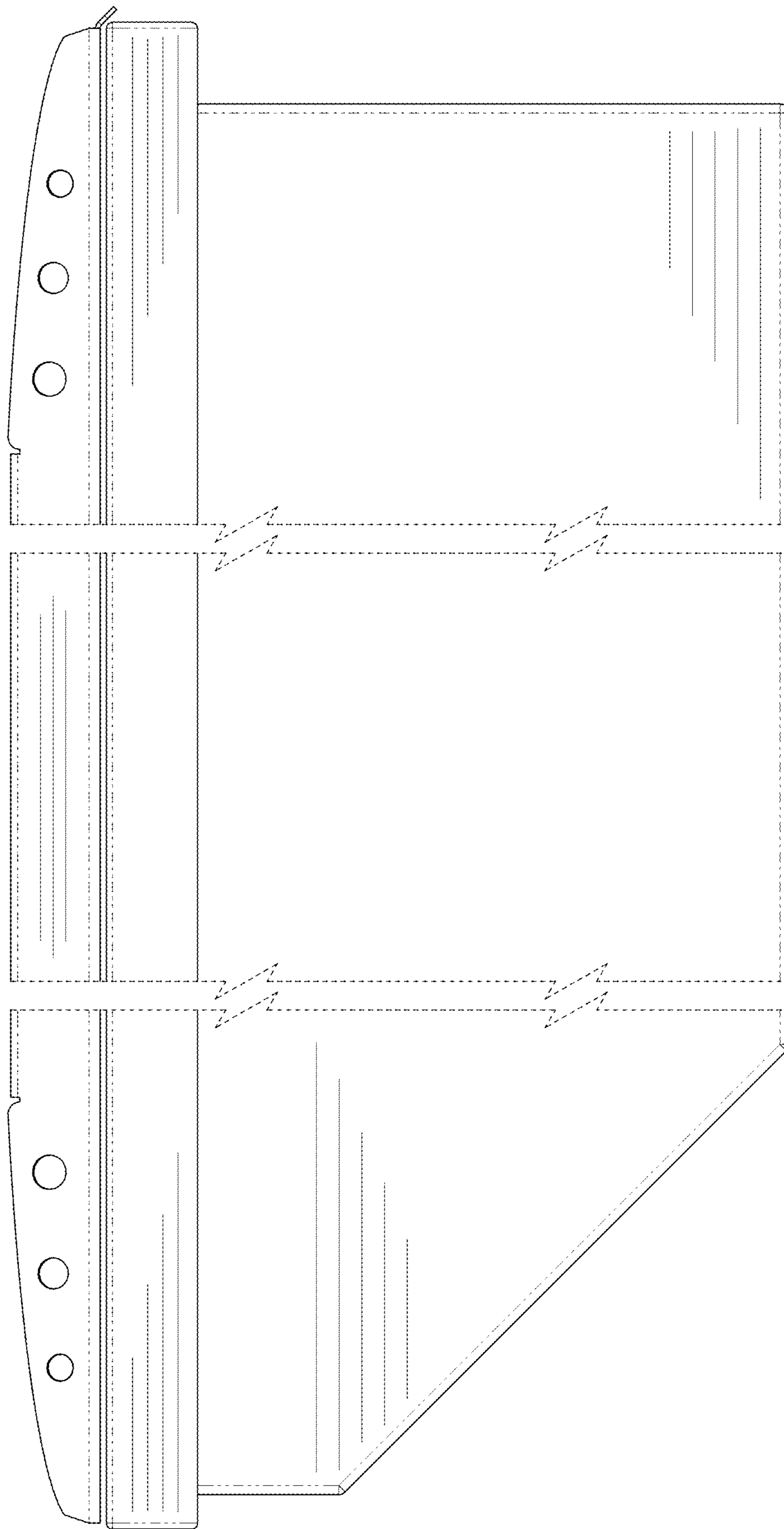


FIG. 8