



US00D883181S

(12) **United States Design Patent** (10) **Patent No.:** **US D883,181 S**
Uimonen et al. (45) **Date of Patent:** **** May 5, 2020**

(54) **CARRIER RACK**
(71) Applicant: **MOBILITY HOLDINGS, LIMITED,**
Causeway Bay (HK)
(72) Inventors: **Joakim Uimonen,** Causeway Bay
(HK); **Eric Yi-Hung Lin,** Causeway
Bay (HK)

4,760,943 A * 8/1988 Bass B62J 7/02
224/422
D299,225 S * 1/1989 Blackburn D12/407
D299,818 S * 2/1989 Blackburn D12/407
D303,781 S * 10/1989 Pletscher D12/407
D310,808 S * 9/1990 Kosecoff D12/407
D310,809 S * 9/1990 Pawsat D12/407

(Continued)

FOREIGN PATENT DOCUMENTS

(73) Assignee: **MOBILITY HOLDINGS, LIMITED,**
Causeway Bay (HK)

DE 3601387 * 7/1987 B62J 7/04

(**) Term: **15 Years**

OTHER PUBLICATIONS

(21) Appl. No.: **29/663,377**

Loader Rack, TernBicycles.com, [online], [site visited Sep. 23, 2019]. <URL: <https://www.ternbicycles.com/gear/472/loader-rack>> (Year: 2019).*

(22) Filed: **Sep. 14, 2018**

(Continued)

(51) **LOC (12) Cl.** **12-16**

(52) **U.S. Cl.**
USPC **D12/406**

Primary Examiner — T Chase Nelson
Assistant Examiner — Jonathan J. Han

(58) **Field of Classification Search**
USPC D12/111, 114, 115, 117, 400, 412, 406,
D12/407; D21/419, 423–428, 431–435;
280/274–280, 281.1, 283–288,
280/288.1–288.4; 224/924, 412, 413
CPC B62K 3/00; B62K 3/02; B62K 3/06
See application file for complete search history.

(74) *Attorney, Agent, or Firm* — Muncy, Geissler, Olds & Lowe, P.C.

(57) **CLAIM**

The ornamental design for a carrier rack, as shown and described.

DESCRIPTION

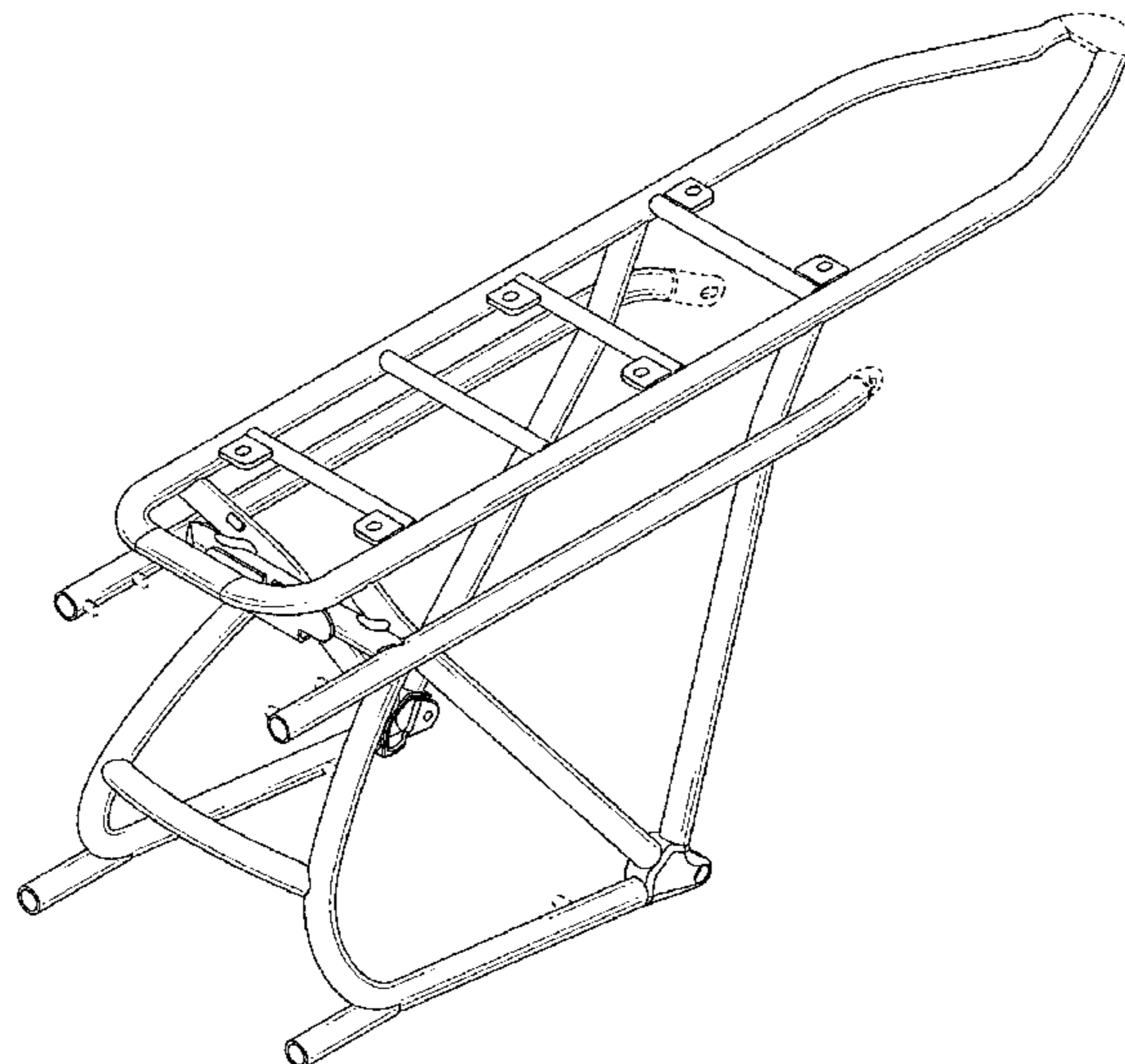
(56) **References Cited**

U.S. PATENT DOCUMENTS

D34,381 S * 4/1901 Manson D12/111
4,154,382 A * 5/1979 Blackburn B62J 7/04
224/445
4,383,625 A * 5/1983 Kiang B62J 7/04
224/424
D271,759 S * 12/1983 Patterson D12/407
4,429,818 A * 2/1984 Patterson B62J 7/04
224/422
D276,991 S * 1/1985 Blackburn D12/407
D285,426 S * 9/1986 Blackburn D12/407
4,666,071 A * 5/1987 Irwin B62J 7/04
224/422

FIG. 1 is a perspective view of a carrier rack in accordance to the embodiment of the new design;
FIG. 2 is a front view thereof;
FIG. 3 is a rear view thereof;
FIG. 4 is a left view thereof;
FIG. 5 is a right view thereof;
FIG. 6 is a top view thereof; and,
FIG. 7 is a bottom view thereof.
The broken lines showing portions in the drawings are for illustrative purposes only and form no part of the claimed design.

1 Claim, 6 Drawing Sheets



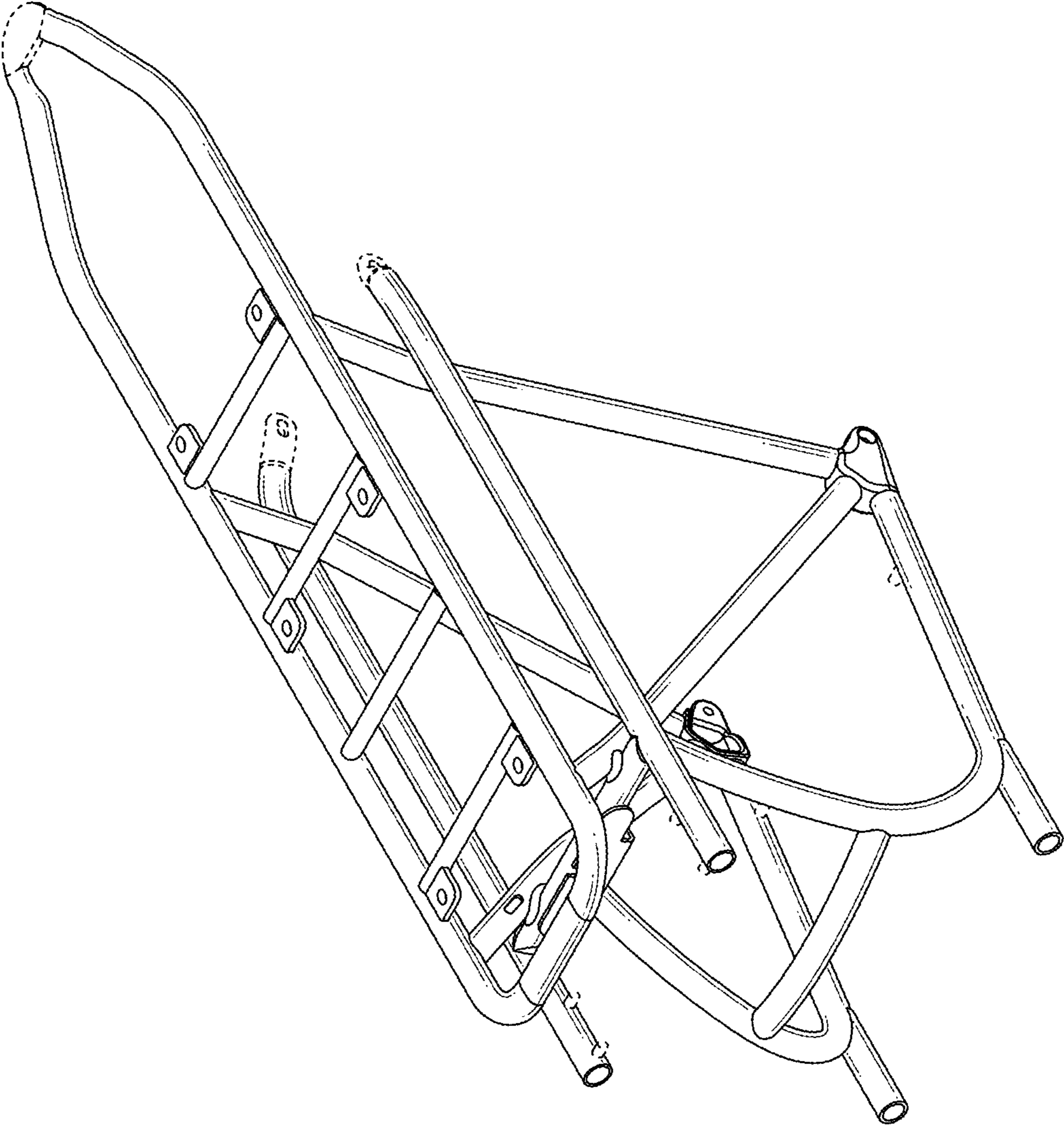


FIG. 1

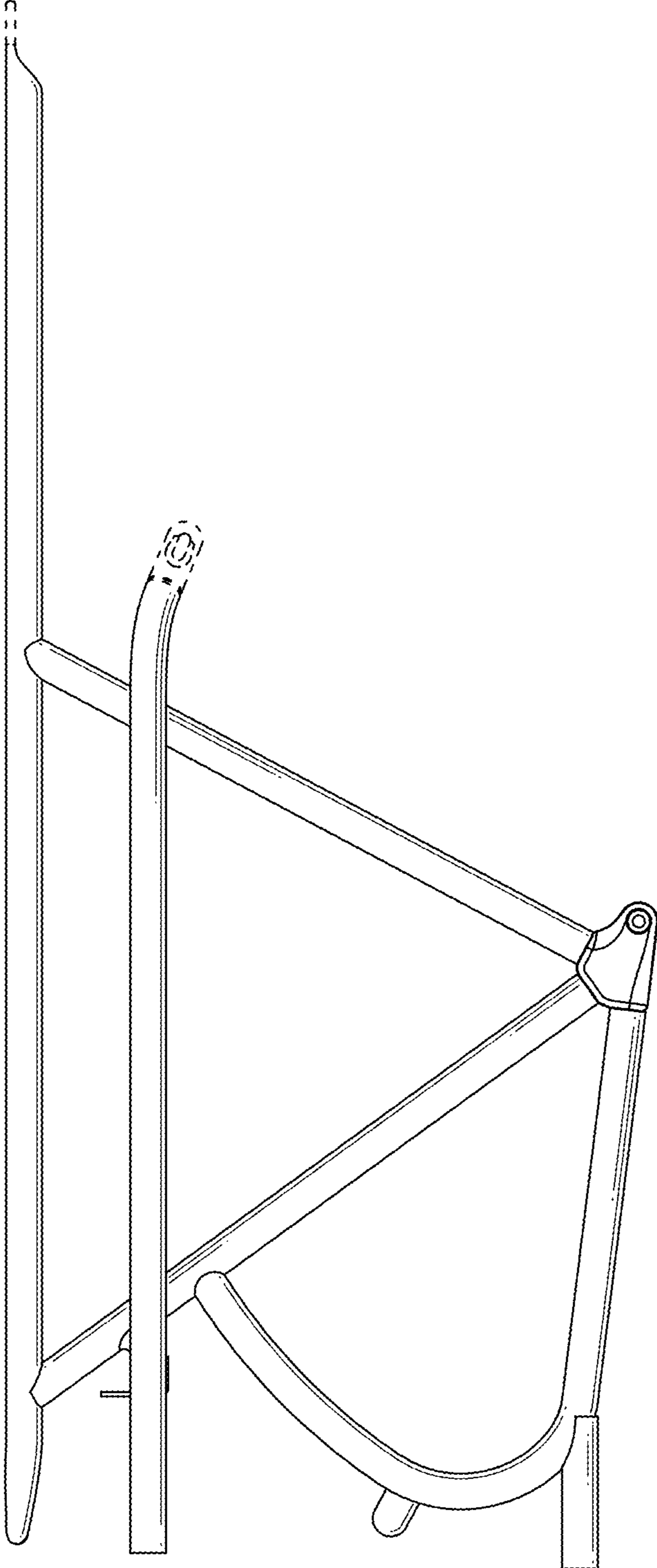


FIG. 2

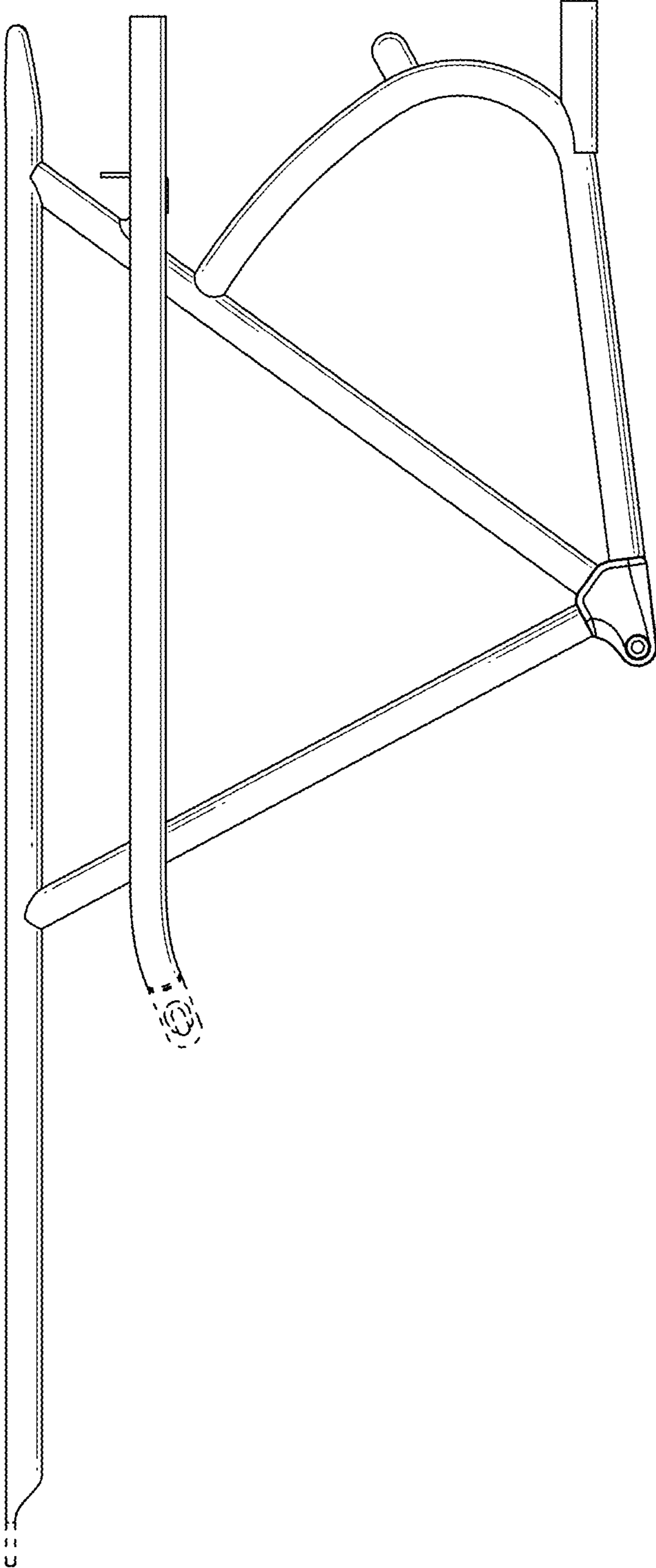


FIG. 3

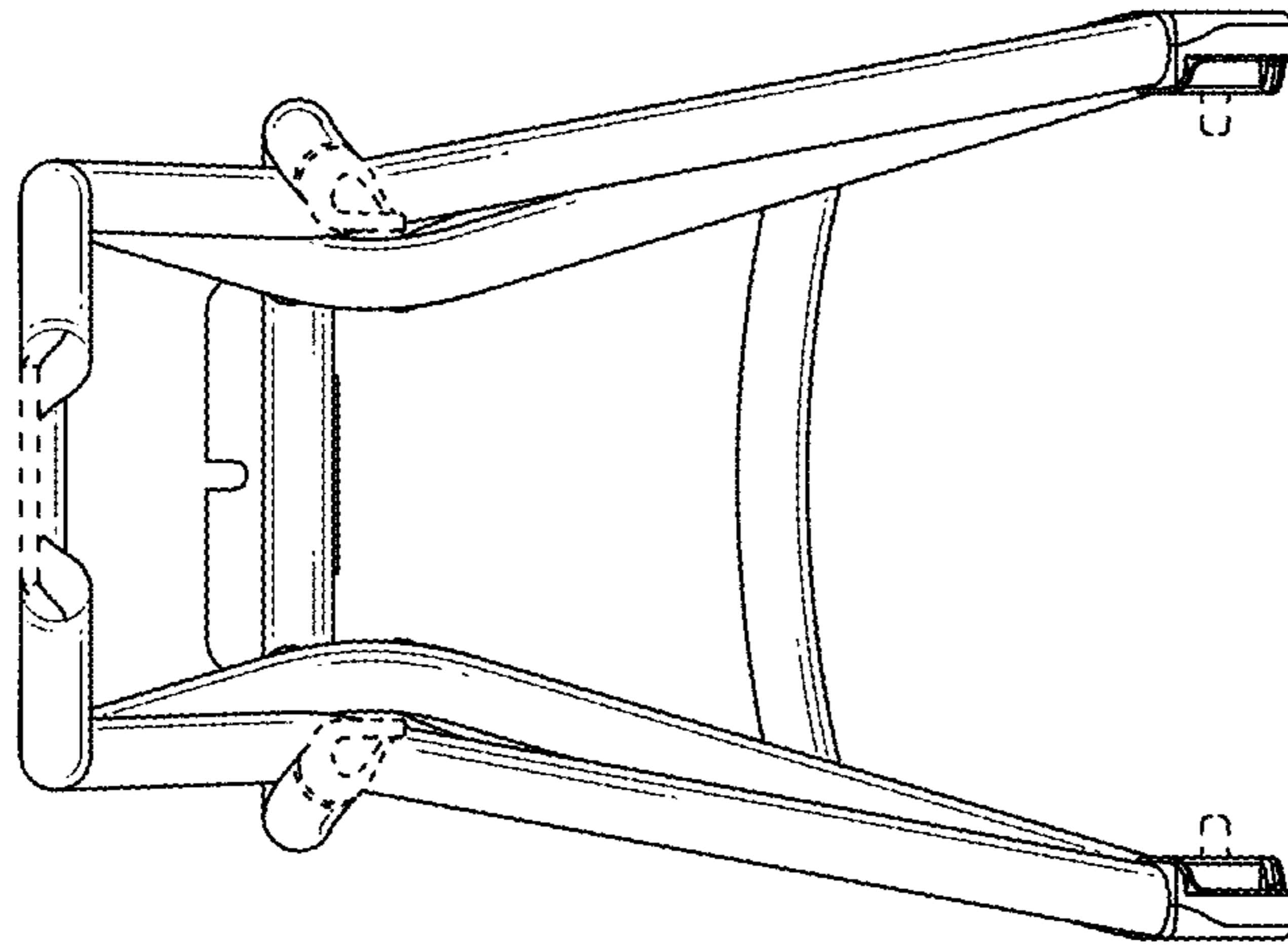


FIG. 5

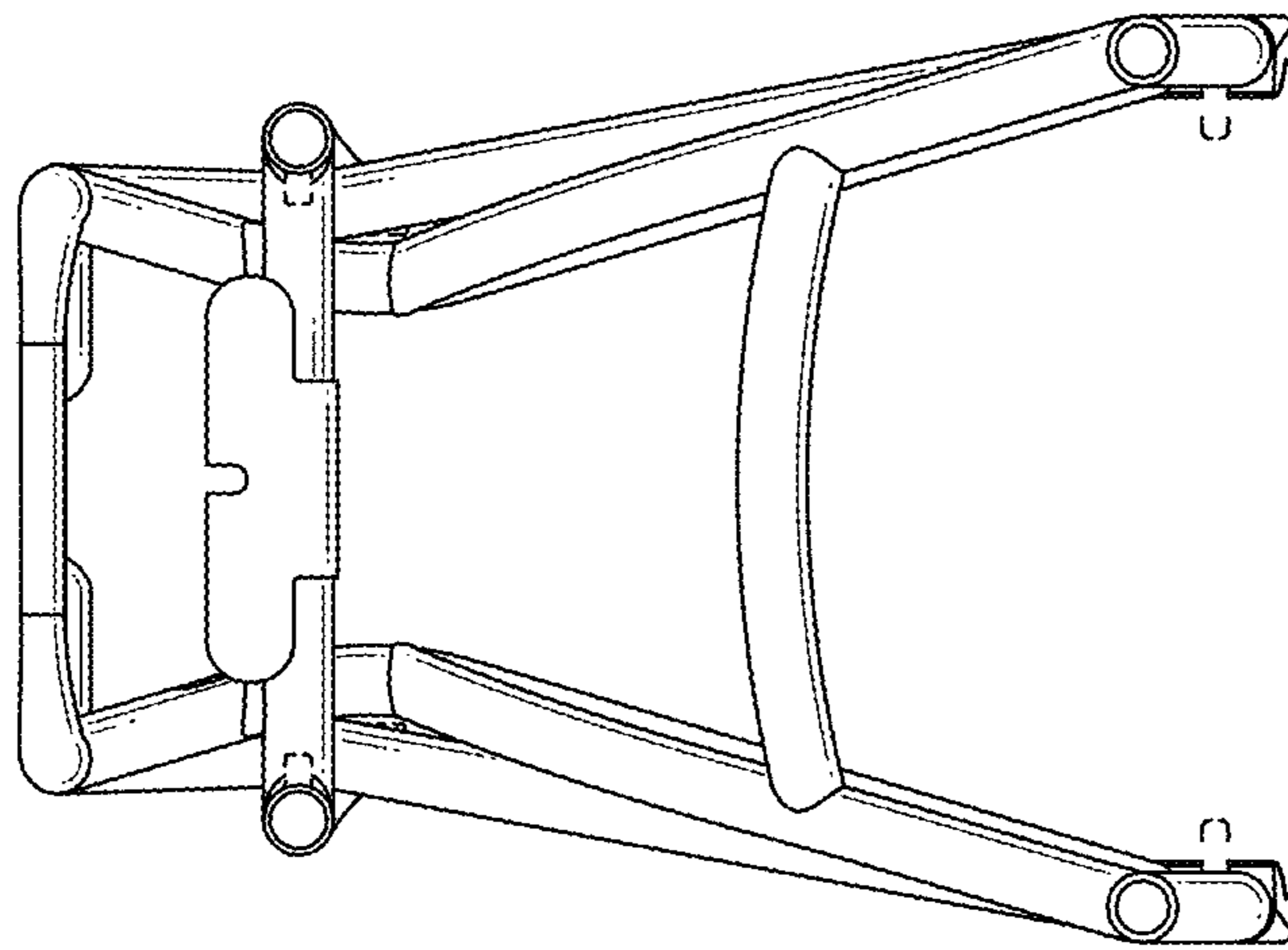


FIG. 4

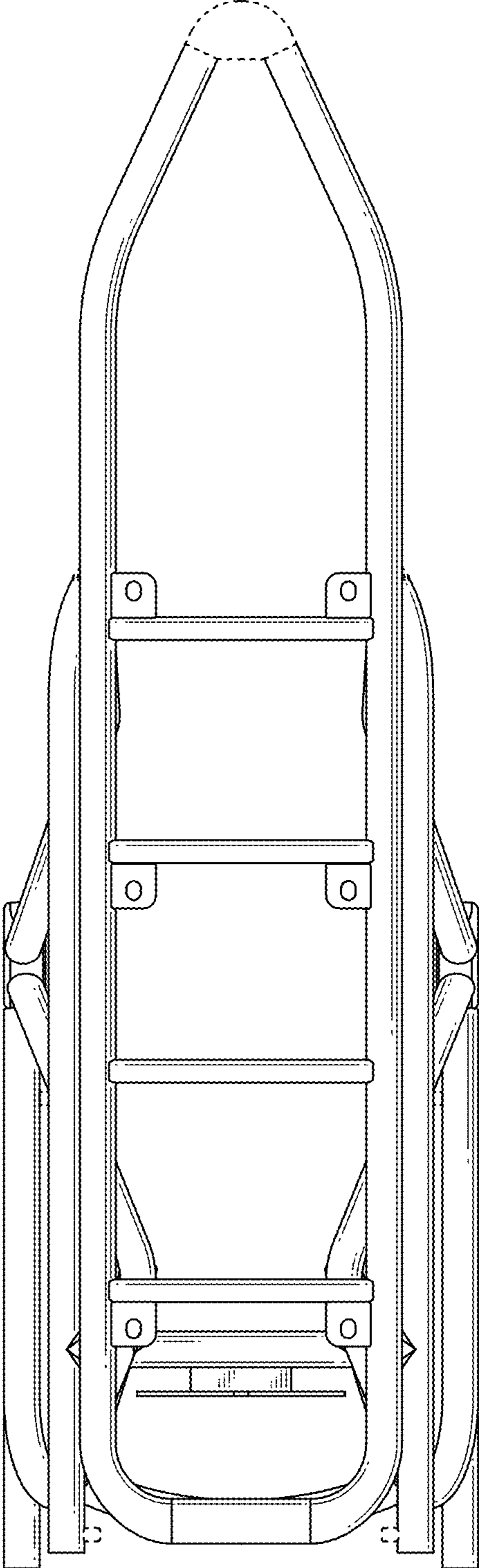


FIG. 6

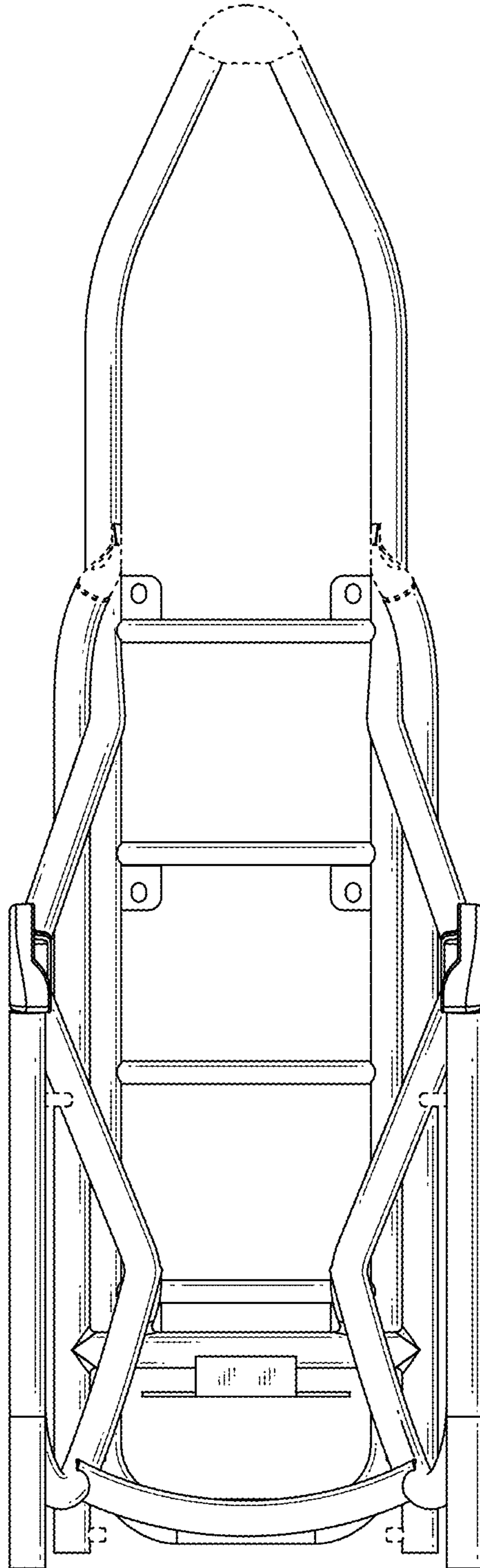


FIG. 7