

US00D883180S

(12) **United States Design Patent**
Bissett

(10) **Patent No.:** **US D883,180 S**

(45) **Date of Patent:** **** May 5, 2020**

(54) **GOLF CLUB RAIN COVER FOR GOLF CARTS**

(71) Applicant: **John Edward Bissett**, Virginia Beach, VA (US)

(72) Inventor: **John Edward Bissett**, Virginia Beach, VA (US)

(**) Term: **15 Years**

(21) Appl. No.: **29/718,935**

(22) Filed: **Dec. 30, 2019**

(51) **LOC (12) Cl.** **12-16**

(52) **U.S. Cl.**
USPC **D12/401**

(58) **Field of Classification Search**
USPC D12/401-405; D6/610, 611, 596, D6/601-603, 615, 617, 621; D7/332, D7/334-337
CPC B65D 85/68; B65D 31/16; B65D 33/02; B60R 5/04; B60R 5/045; B60P 7/04
See application file for complete search history.

(56) **References Cited**

U.S. PATENT DOCUMENTS

D298,615 S * 11/1988 Chionuma D12/401
D360,181 S * 7/1995 Brooks D12/401
D384,324 S * 9/1997 Barker D12/401

5,741,041 A * 4/1998 Sullivan B60J 7/085
135/88.09
6,916,059 B2 * 7/2005 Feinberg B60J 5/00
296/145
D658,565 S * 5/2012 Akmal D12/401
9,352,636 B1 * 5/2016 Johnson B60J 1/20
D802,477 S * 11/2017 Salas D12/16
D867,968 S * 11/2019 Salas D12/401
2012/0247025 A1 * 10/2012 El-Segal B60J 1/2094
49/489.1
2016/0090029 A1 * 3/2016 Levytsky B60J 11/04
340/473

* cited by examiner

Primary Examiner — Katrina A Betton

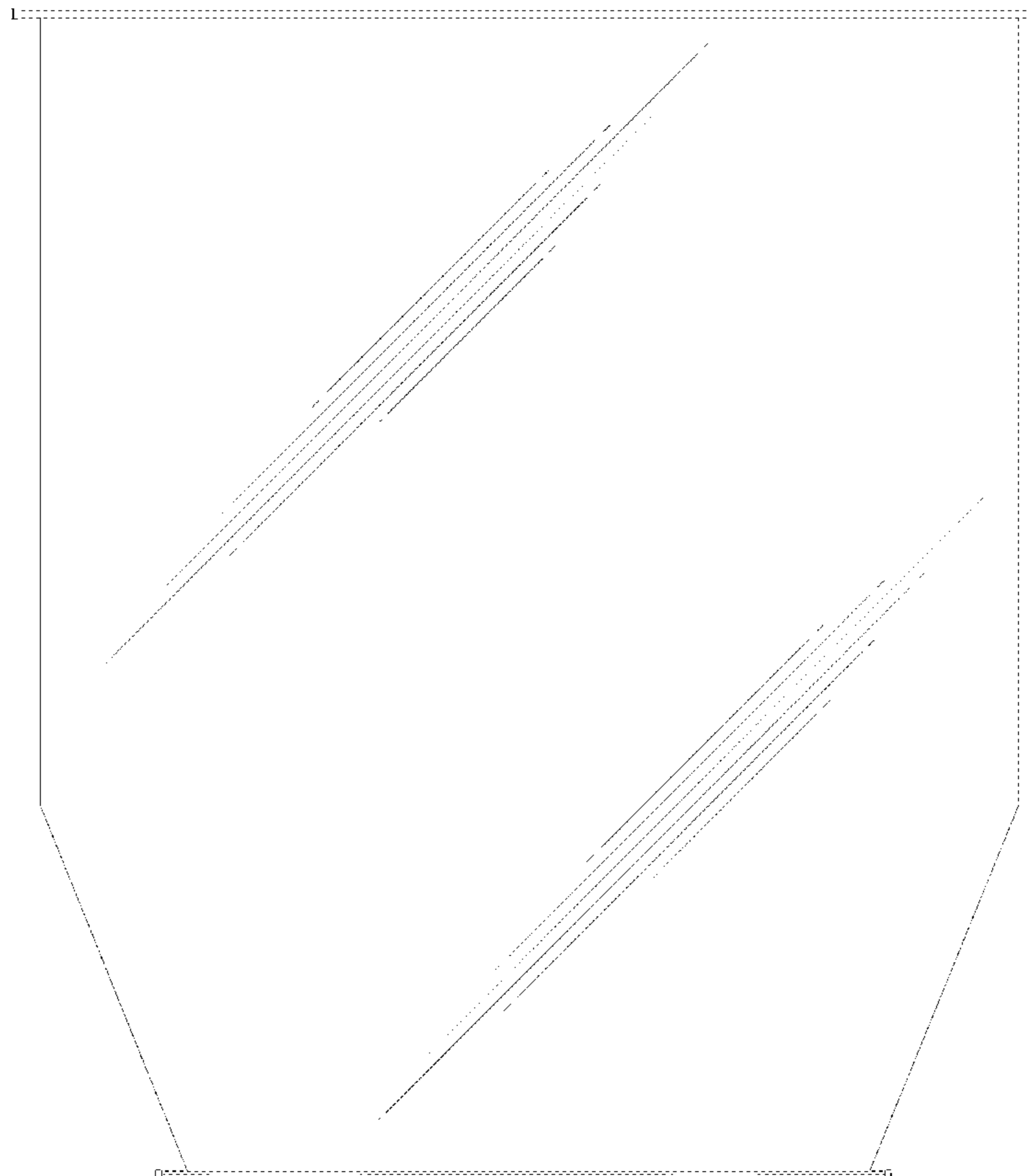
(57) **CLAIM**

The ornamental design for a golf club rain cover for golf carts, as shown and described.

DESCRIPTION

FIG. 1 is a top-front-left perspective view of a golf club rain cover for golf carts, showing my new design;
FIG. 2 is a detailed view of section 2 of FIG. 1;
FIG. 3 is a bottom-rear-right perspective view thereof;
FIG. 4 is a detailed view of section 4 of FIG. 3;
FIG. 5 is a front elevational view thereof;
FIG. 6 is a right-side elevational view thereof;
FIG. 7 is a detailed view of section 7 of FIG. 6;
FIG. 8 is a top plan view thereof; and,
FIG. 9 is a bottom plan view thereof.

1 Claim, 9 Drawing Sheets



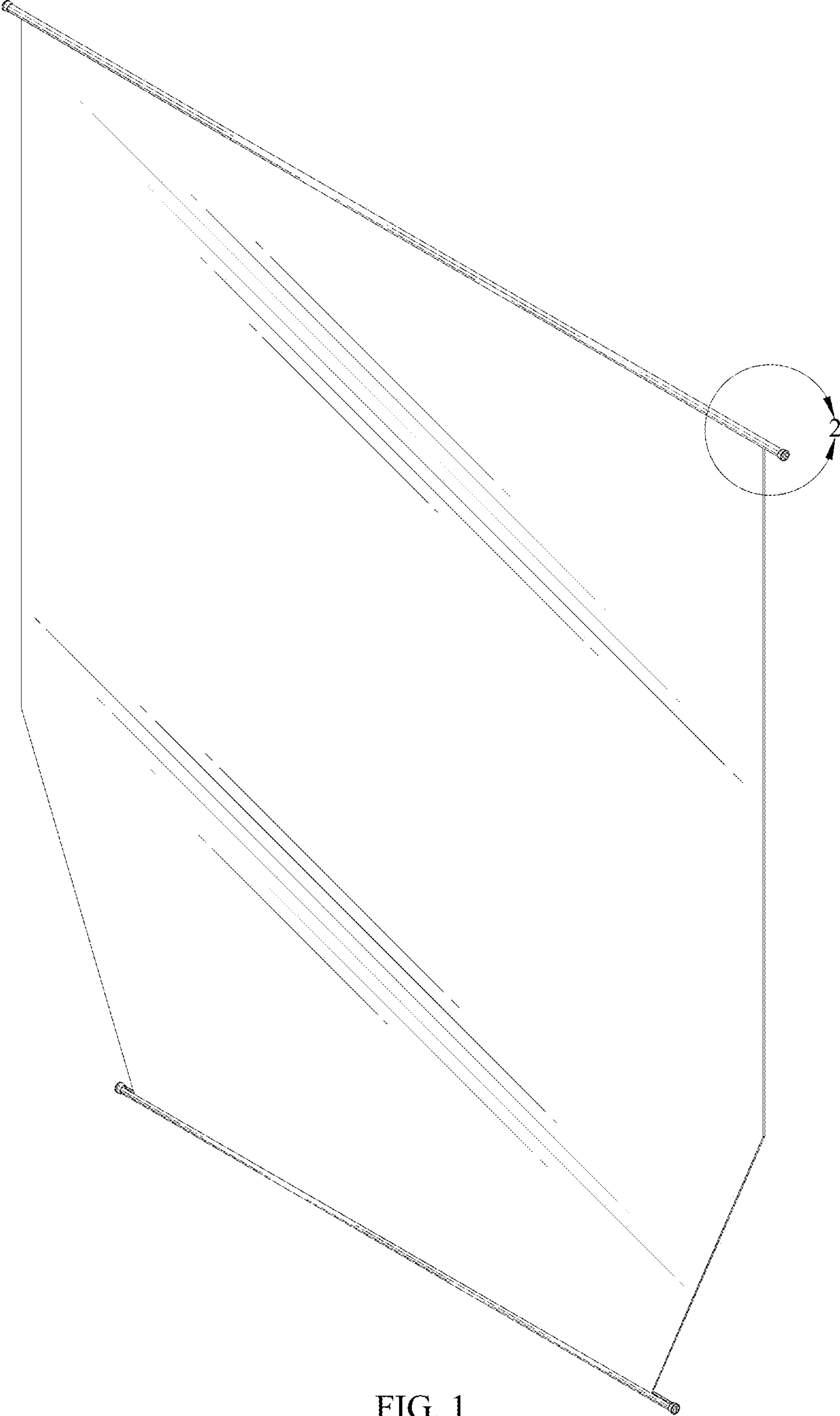


FIG. 1

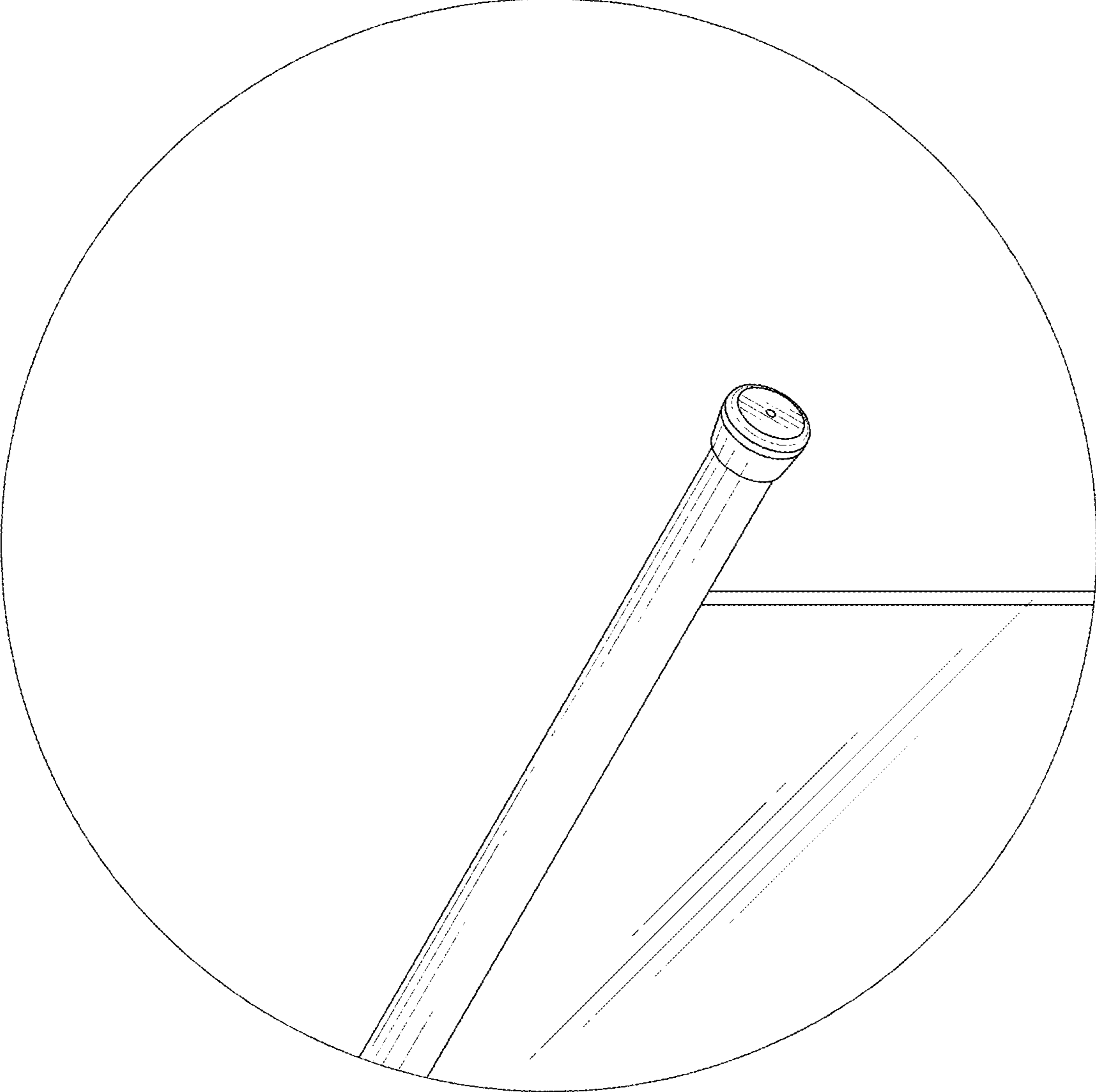


FIG. 2

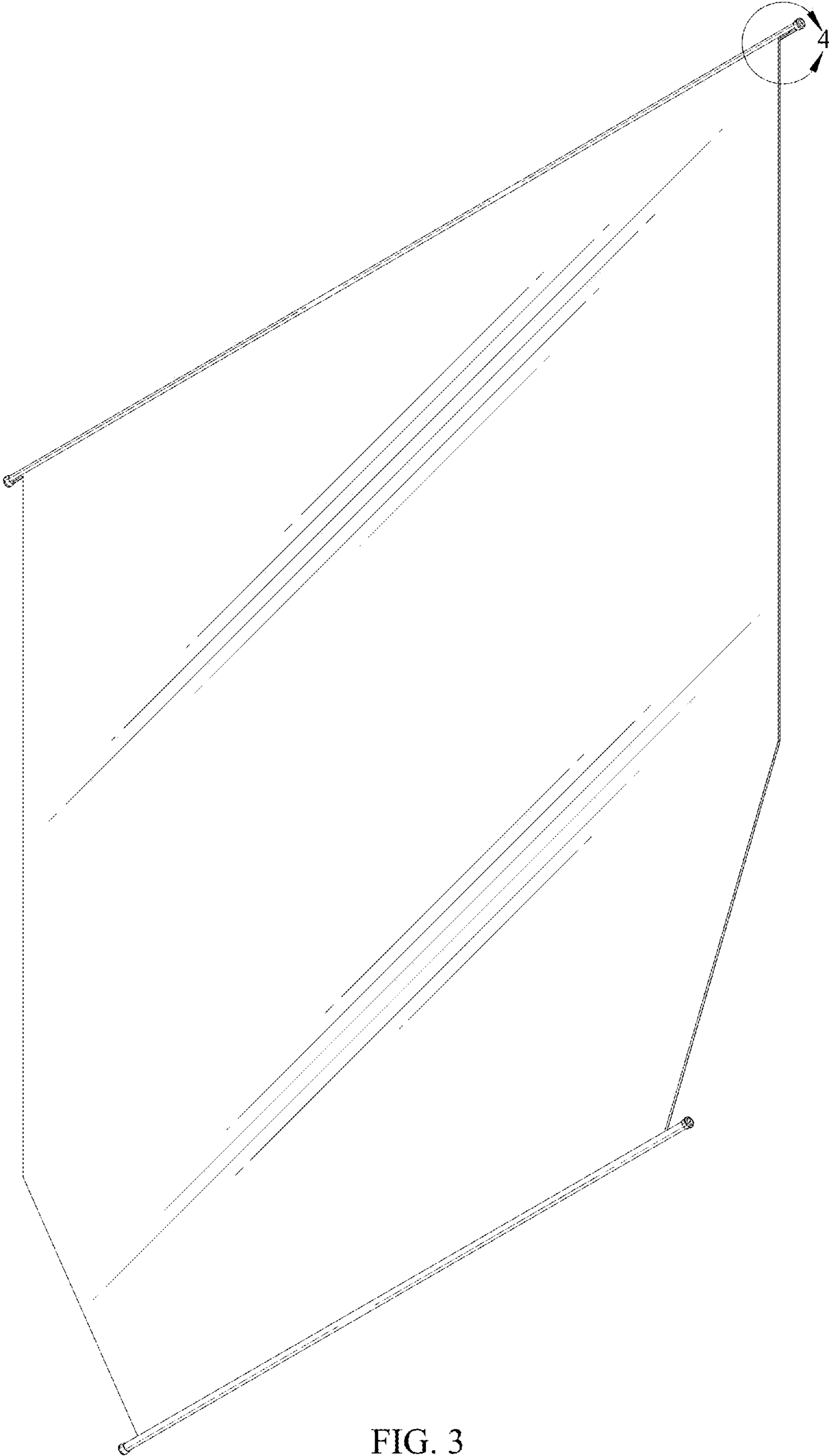


FIG. 3

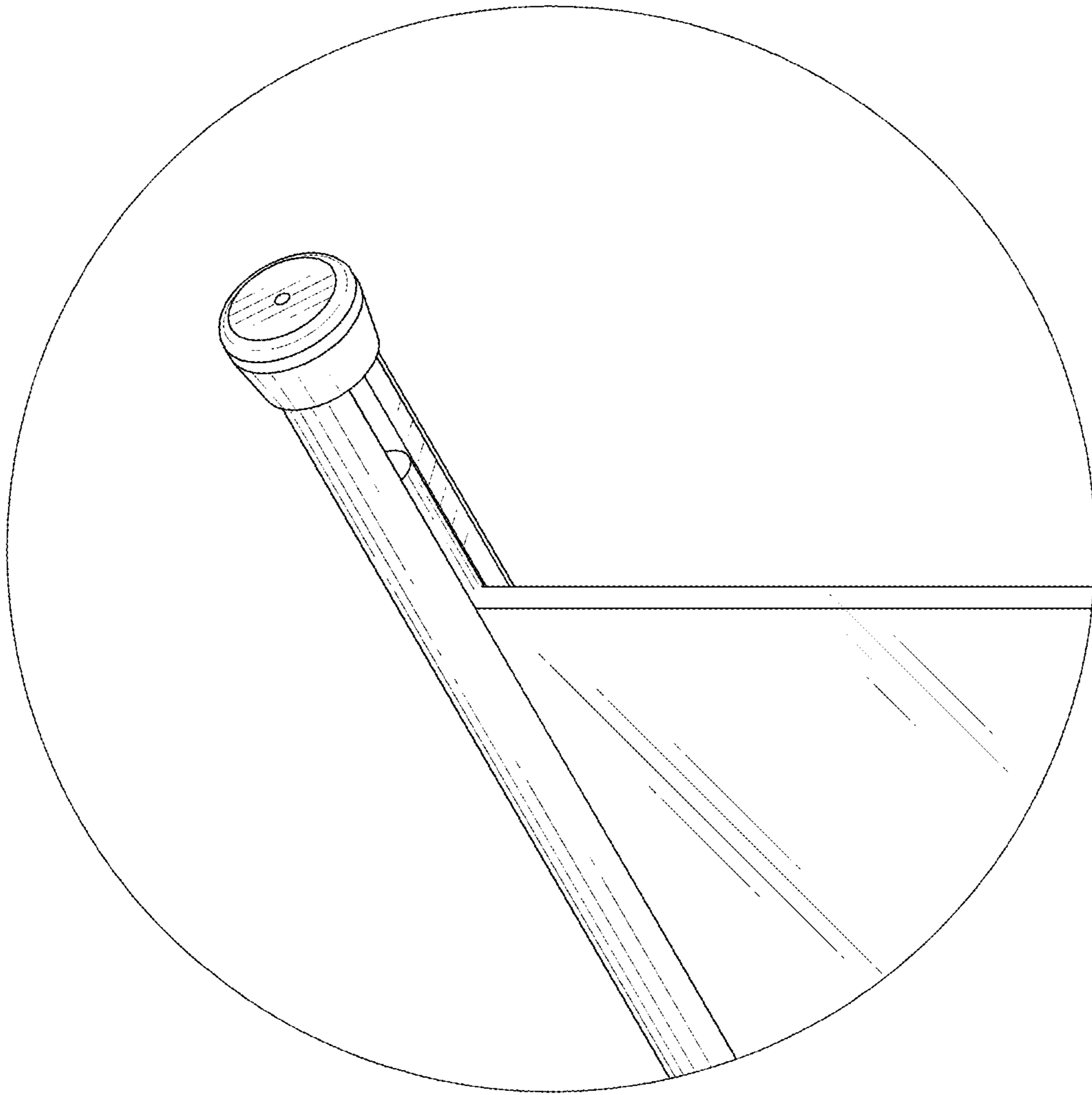


FIG. 4

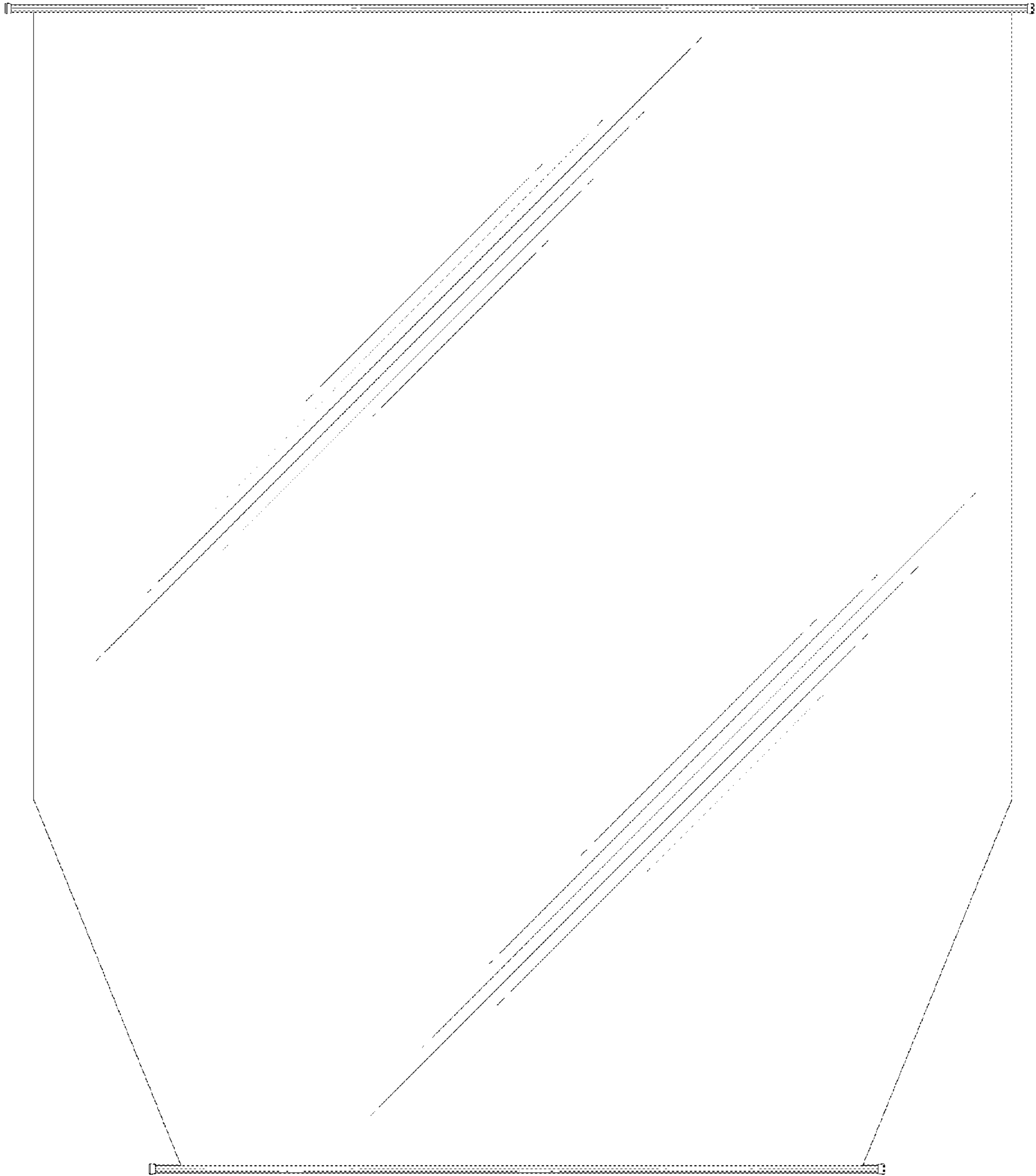


FIG. 5

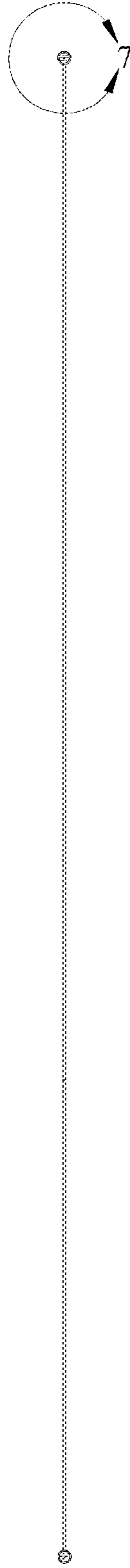


FIG. 6

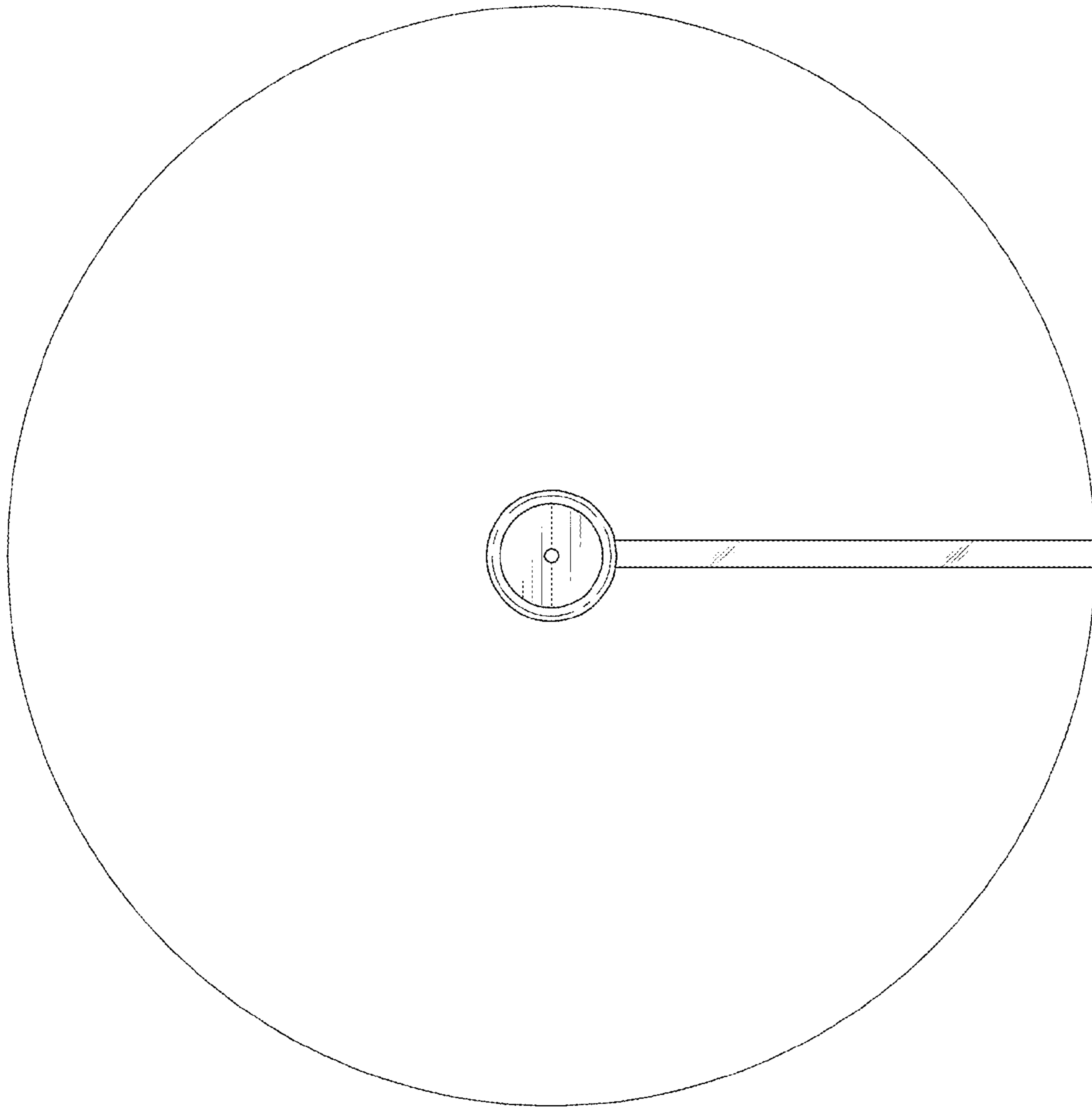


FIG. 7



FIG. 8



FIG. 9