



US00D883179S

(12) **United States Design Patent** (10) **Patent No.:** **US D883,179 S**
Cook (45) **Date of Patent:** **** May 5, 2020**

- (54) **MODULAR HEAD BADGE**
- (71) Applicant: **David J. Cook**, Saluda, NC (US)
- (72) Inventor: **David J. Cook**, Saluda, NC (US)
- (**) Term: **15 Years**
- (21) Appl. No.: **29/626,005**
- (22) Filed: **Nov. 14, 2017**
- (51) **LOC (12) Cl.** **12-16**
- (52) **U.S. Cl.**
USPC **D12/400**
- (58) **Field of Classification Search**
USPC D12/114, 400
CPC B60R 3/04; B60R 3/00
See application file for complete search history.

- (56) **References Cited**
U.S. PATENT DOCUMENTS
D830,261 S * 10/2018 Jacob D12/190
D837,114 S * 1/2019 Schroeder D12/190
D852,099 S * 6/2019 Loeb D12/190
D857,560 S * 8/2019 Watanabe D12/114
D866,406 S * 11/2019 Kawakami D12/114
2009/0317571 A1 * 12/2009 Geracitano B60R 13/005
428/31
2011/0051451 A1 * 3/2011 Stempinski B60Q 1/50
362/545

* cited by examiner

Primary Examiner — Katrina A Betton
(74) *Attorney, Agent, or Firm* — Joseph T. Guy; Patent Filing Specialist, Inc.

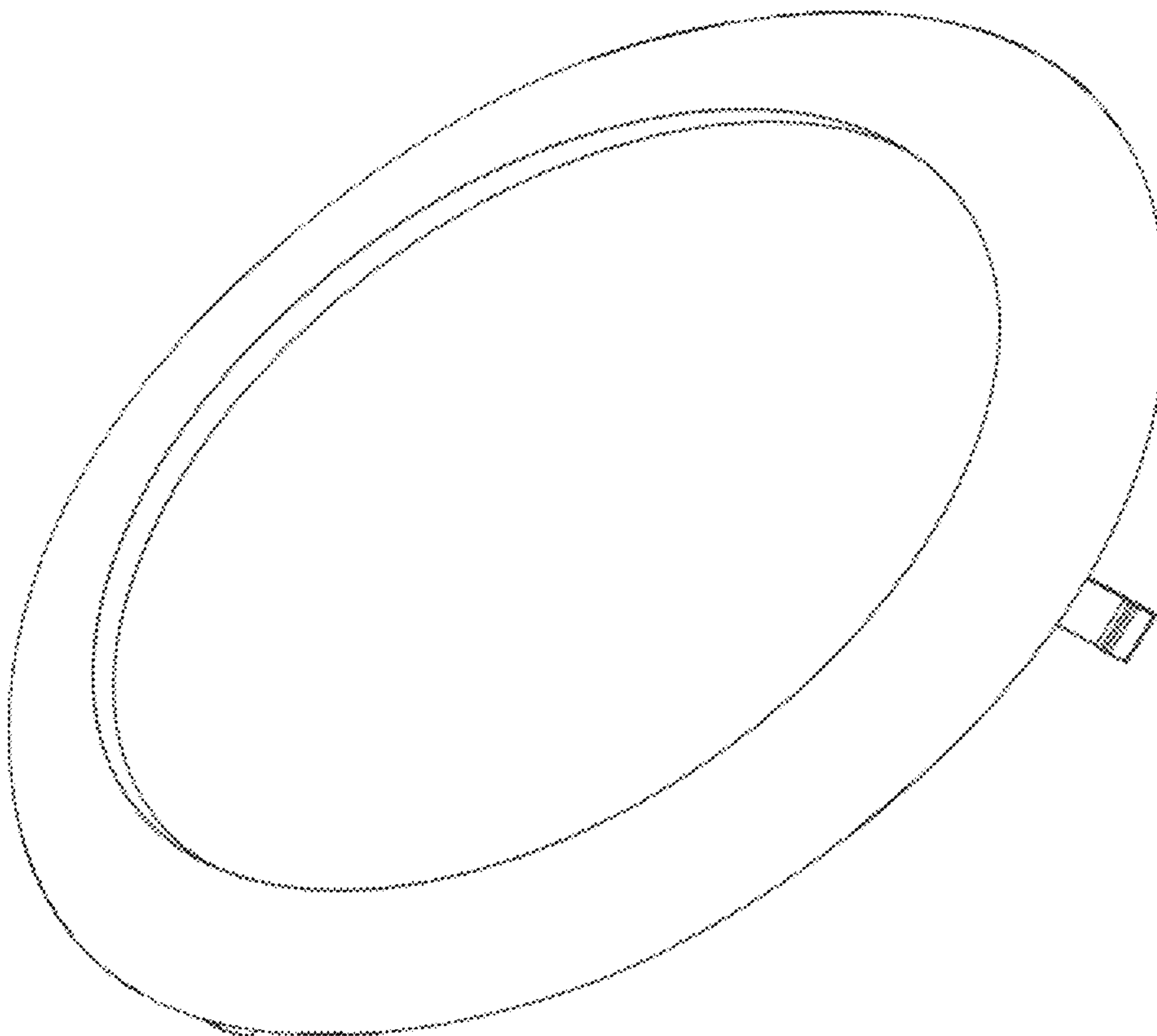
(57) **CLAIM**

The ornamental design for a modular head badge, as shown and described.

DESCRIPTION

FIG. 1 is a top perspective view of an element of the present invention;
 FIG. 2 is a top view of FIG. 1;
 FIG. 3 is a bottom view of FIG. 1;
 FIG. 4 is a top view of FIG. 1;
 FIG. 5 is a left side view of FIG. 1;
 FIG. 6 is a right side view of FIG. 1;
 FIG. 7 is a bottom side view of FIG. 1;
 FIG. 8 is a top perspective assembled view of the present invention
 FIG. 9 is a top view of FIG. 8;
 FIG. 10 is a bottom view of FIG. 8;
 FIG. 11 is a top view of FIG. 8;
 FIG. 12 is a left side view of FIG. 8;
 FIG. 13 is a right side view of FIG. 8; and,
 FIG. 14 is a bottom side view of FIG. 8.
 The broken lines, where present, in FIGS. 8-14, illustrate portions of the modular head badge that form no part of the claimed invention.

1 Claim, 14 Drawing Sheets



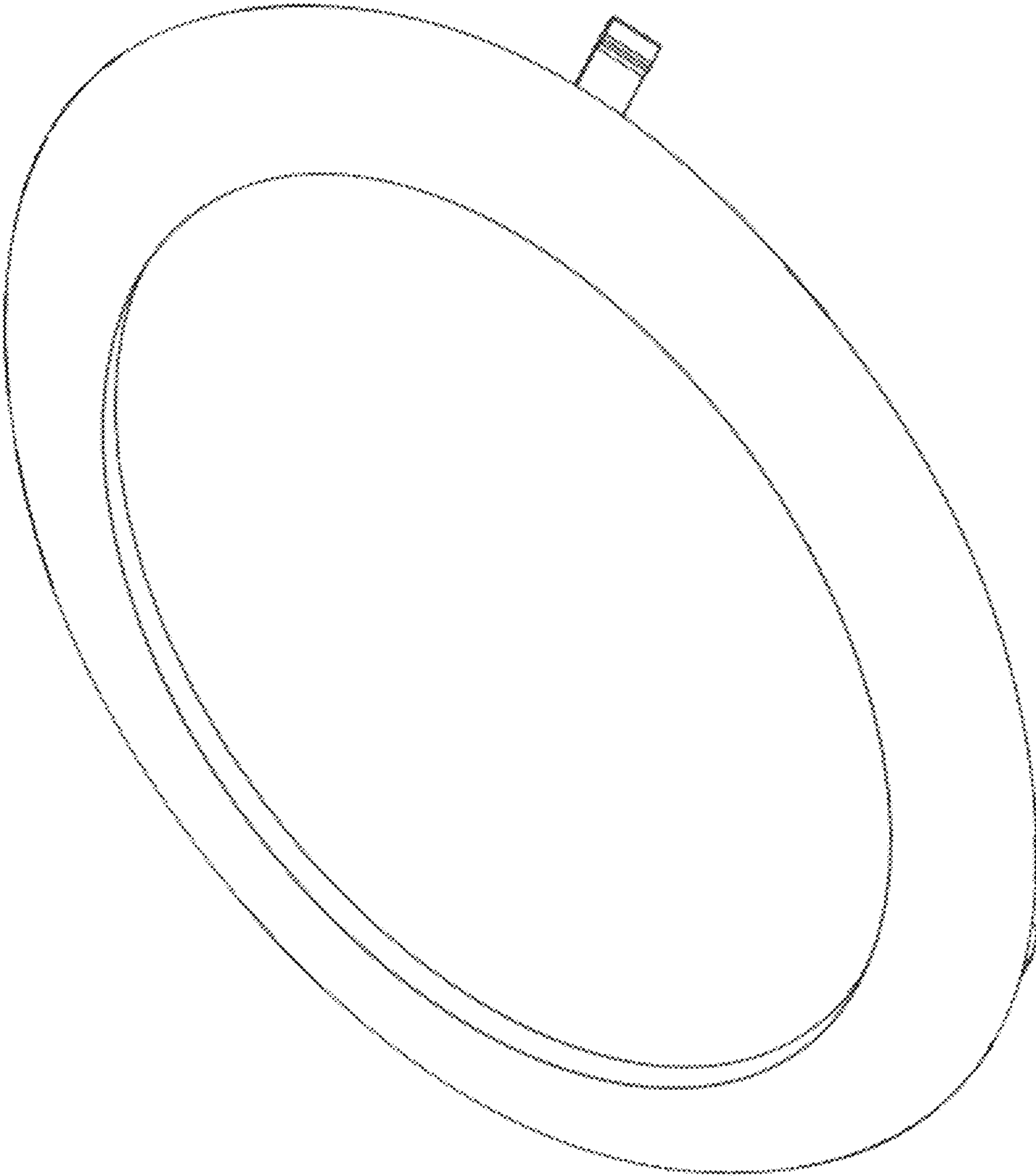


Fig. 1

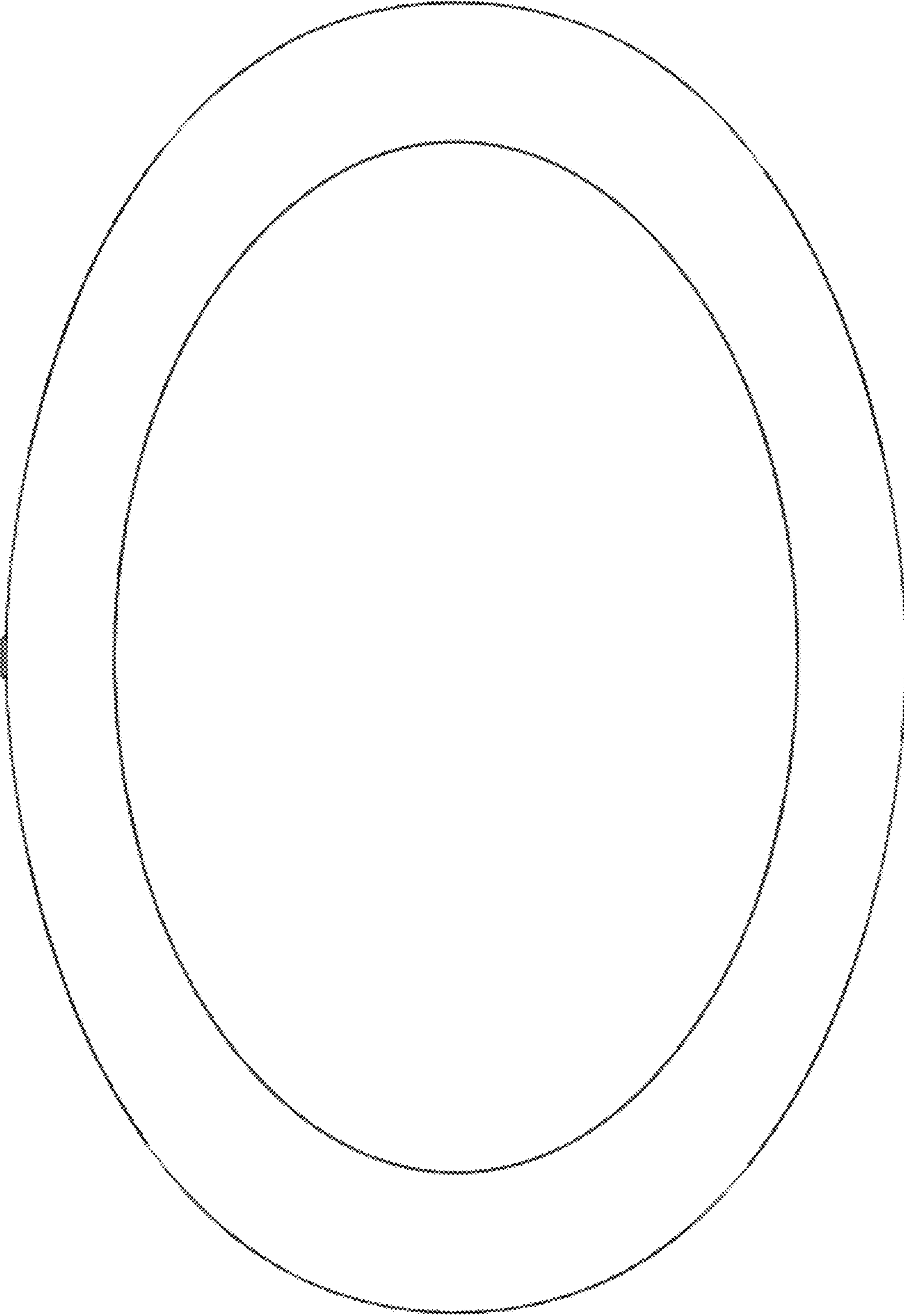


Fig. 2

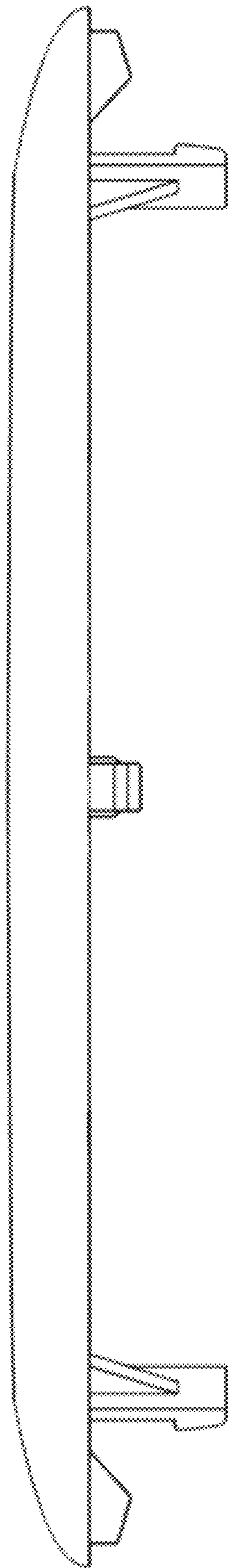


Fig. 3

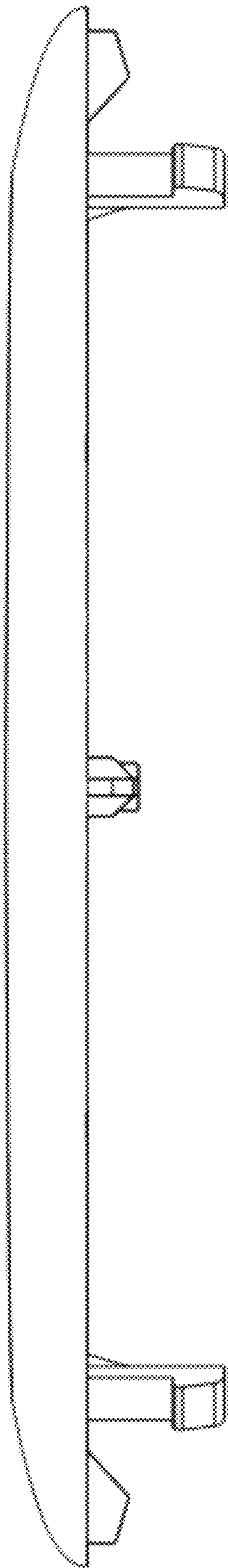


Fig. 4

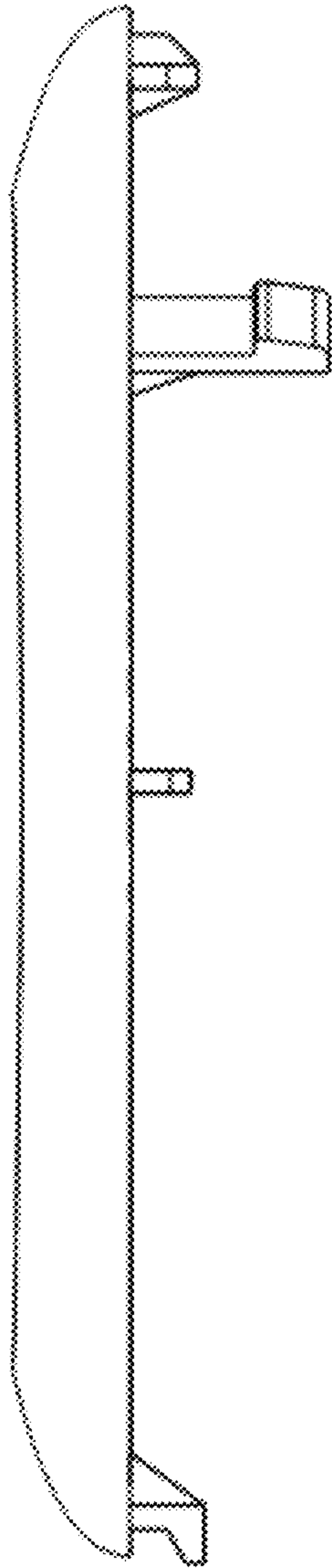


Fig. 5

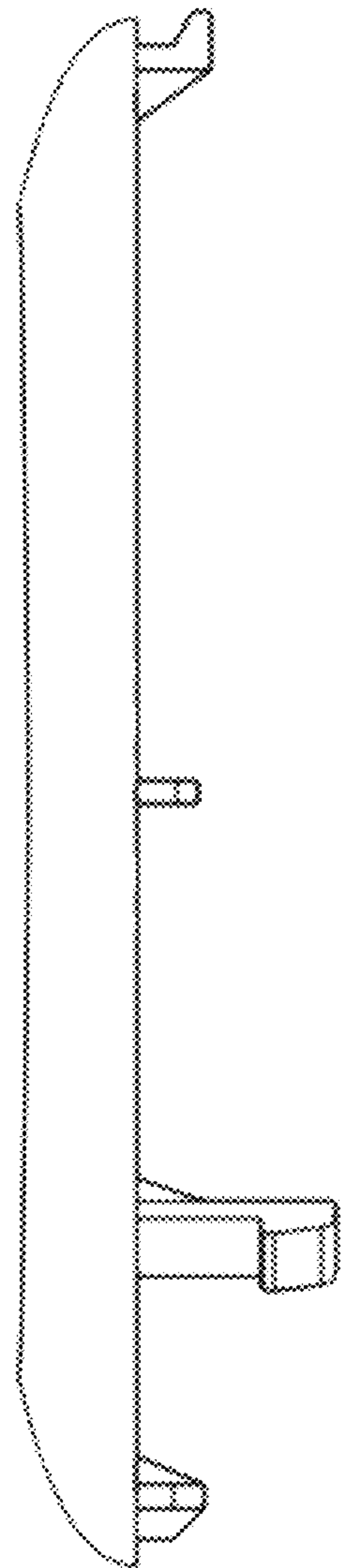


Fig. 6

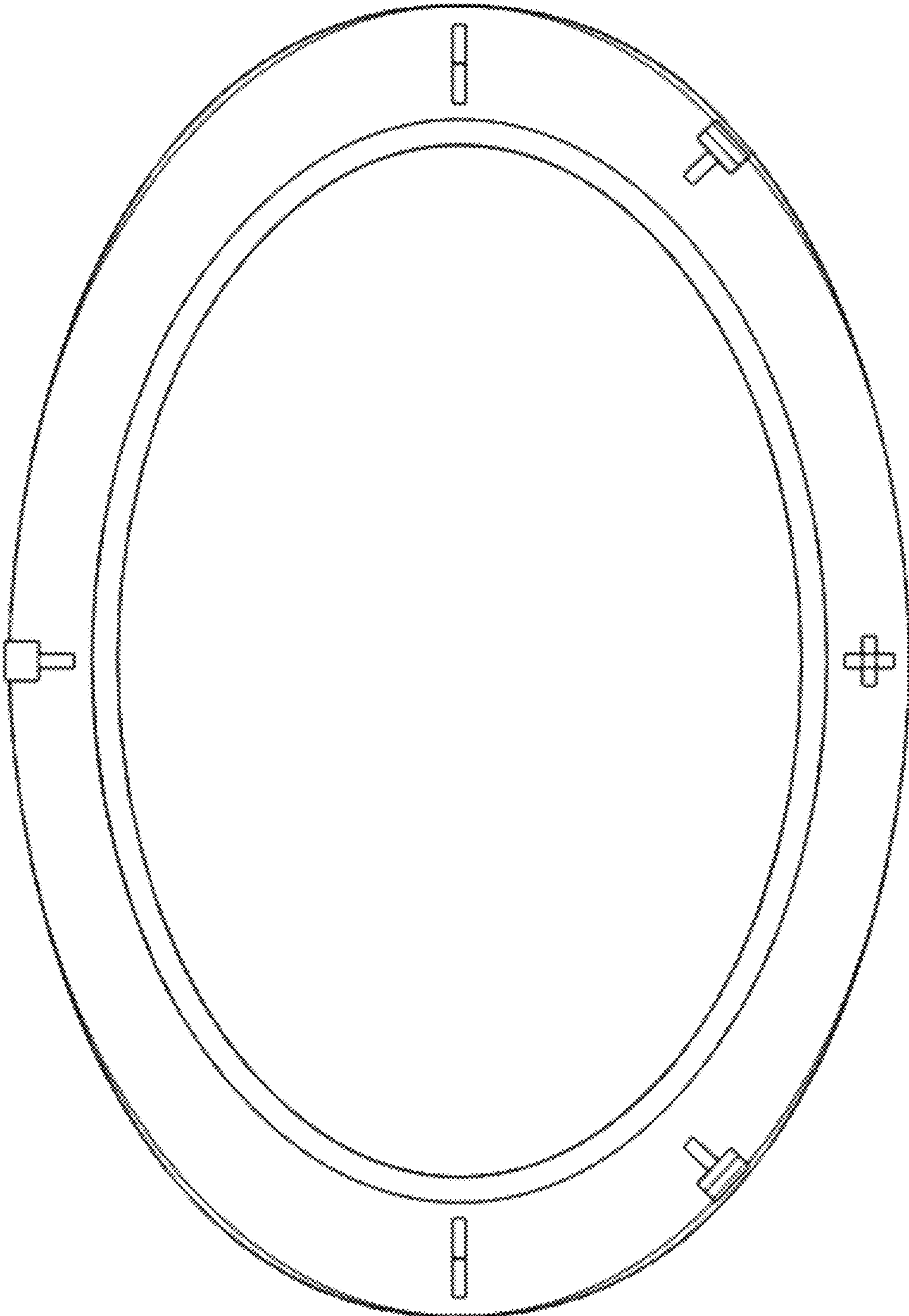


Fig. 7

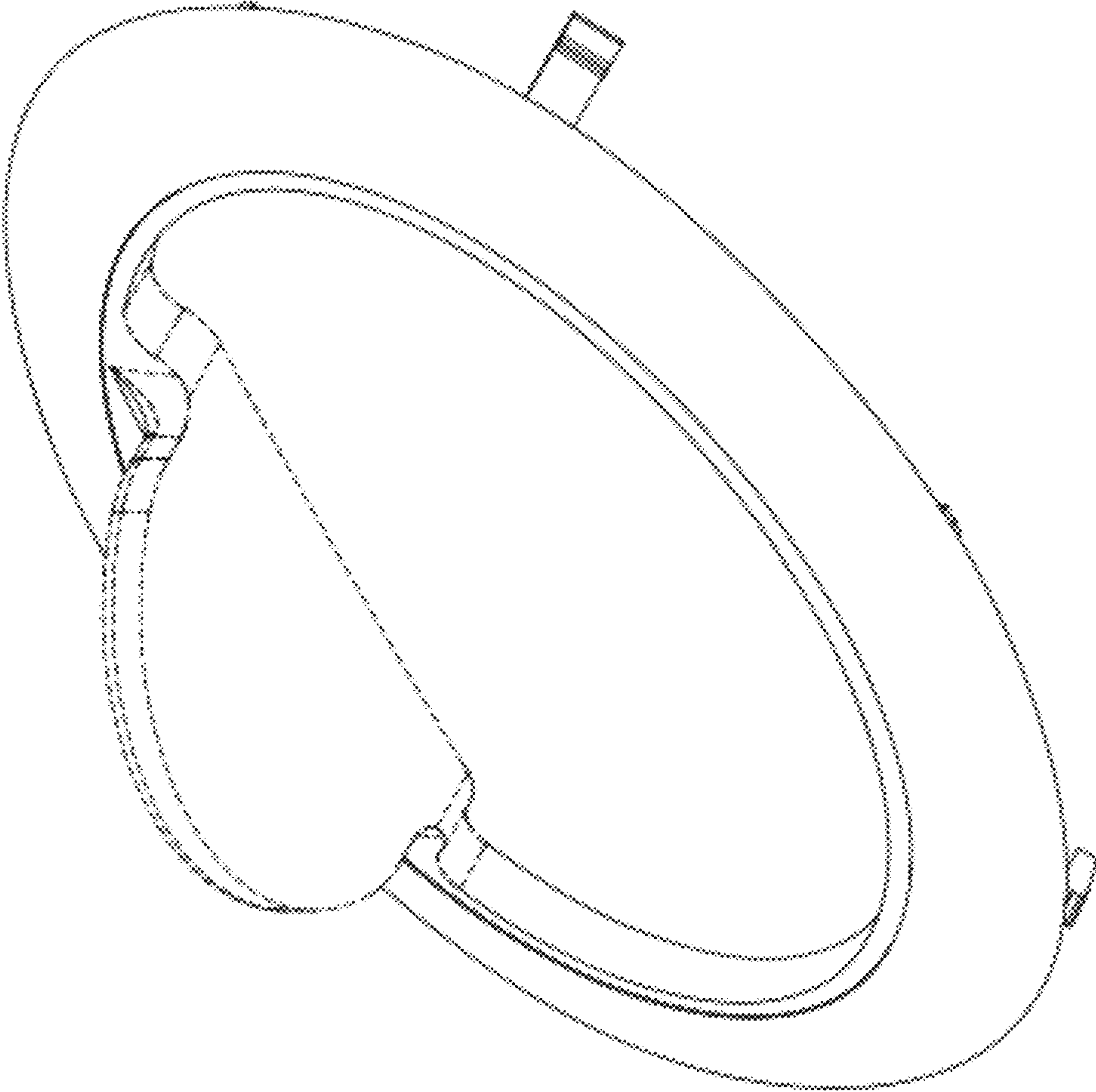


Fig. 8

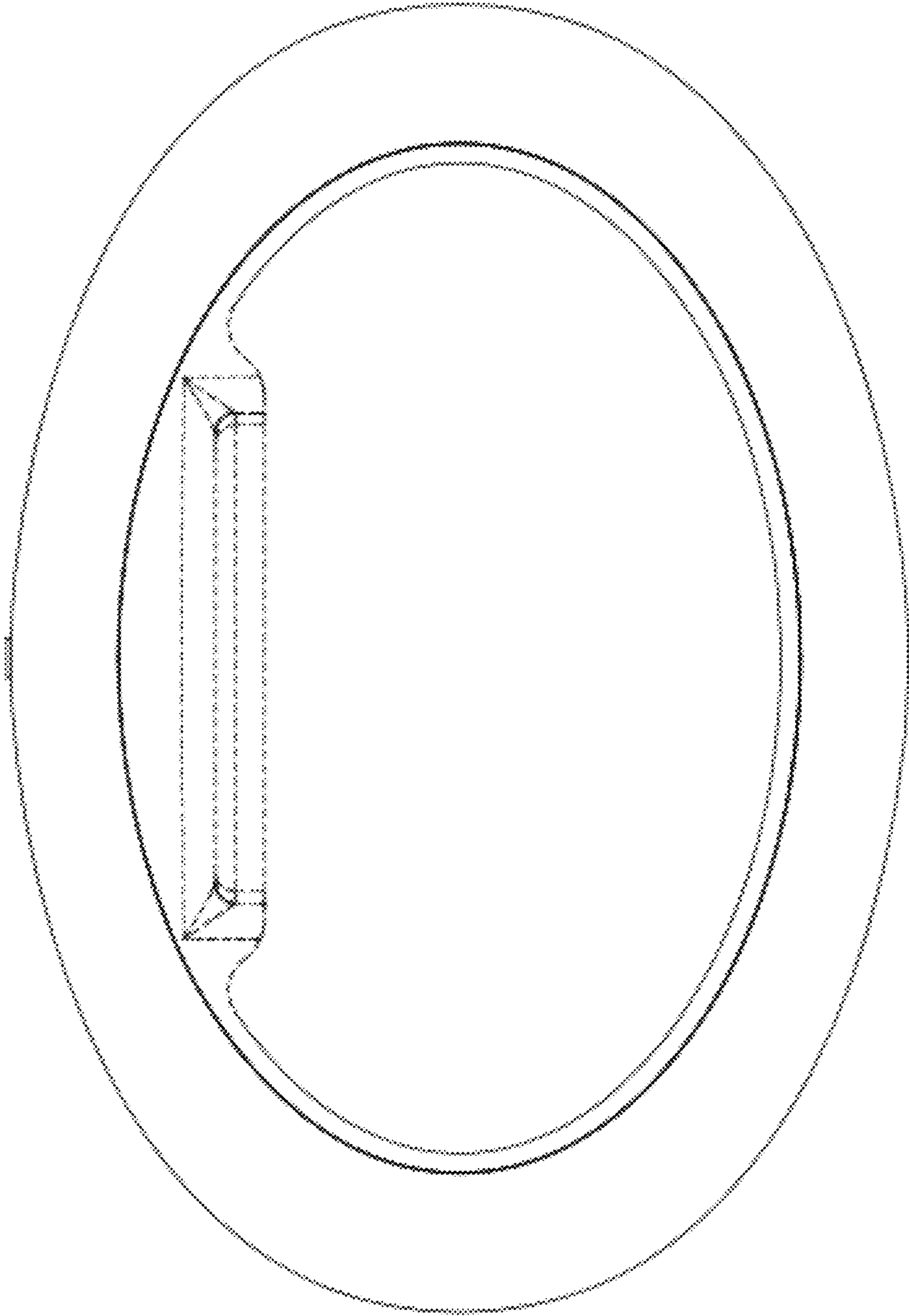


Fig. 9

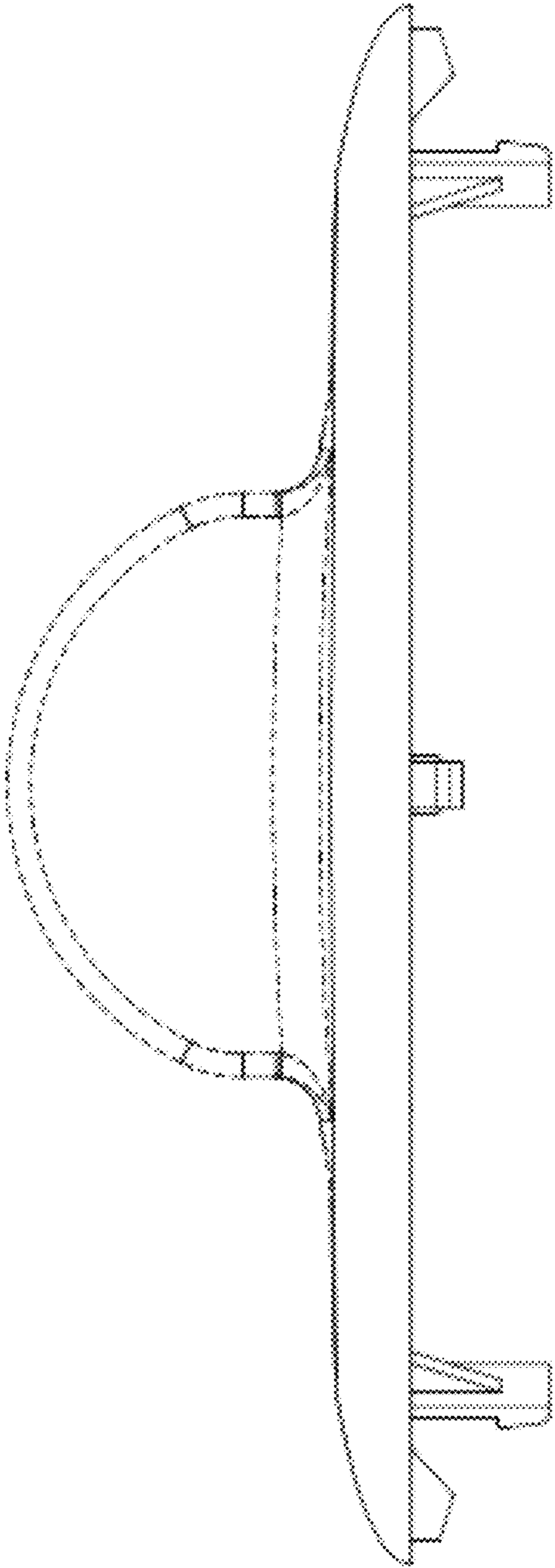


Fig. 10

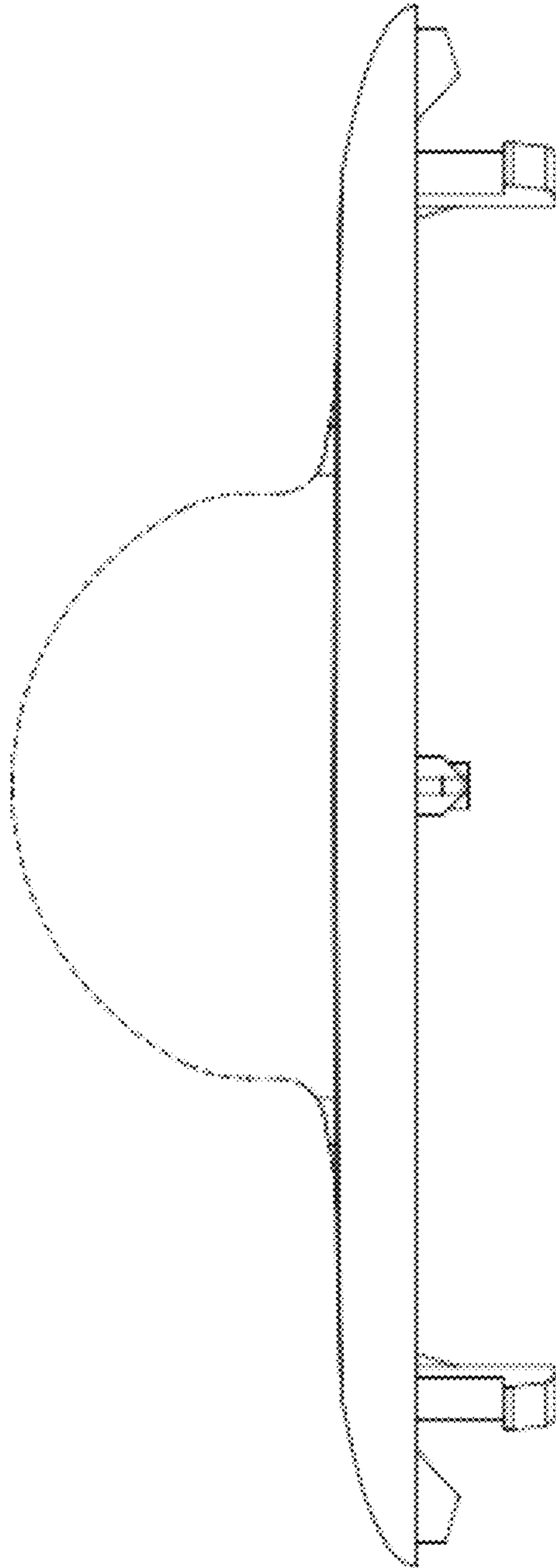


Fig. 11

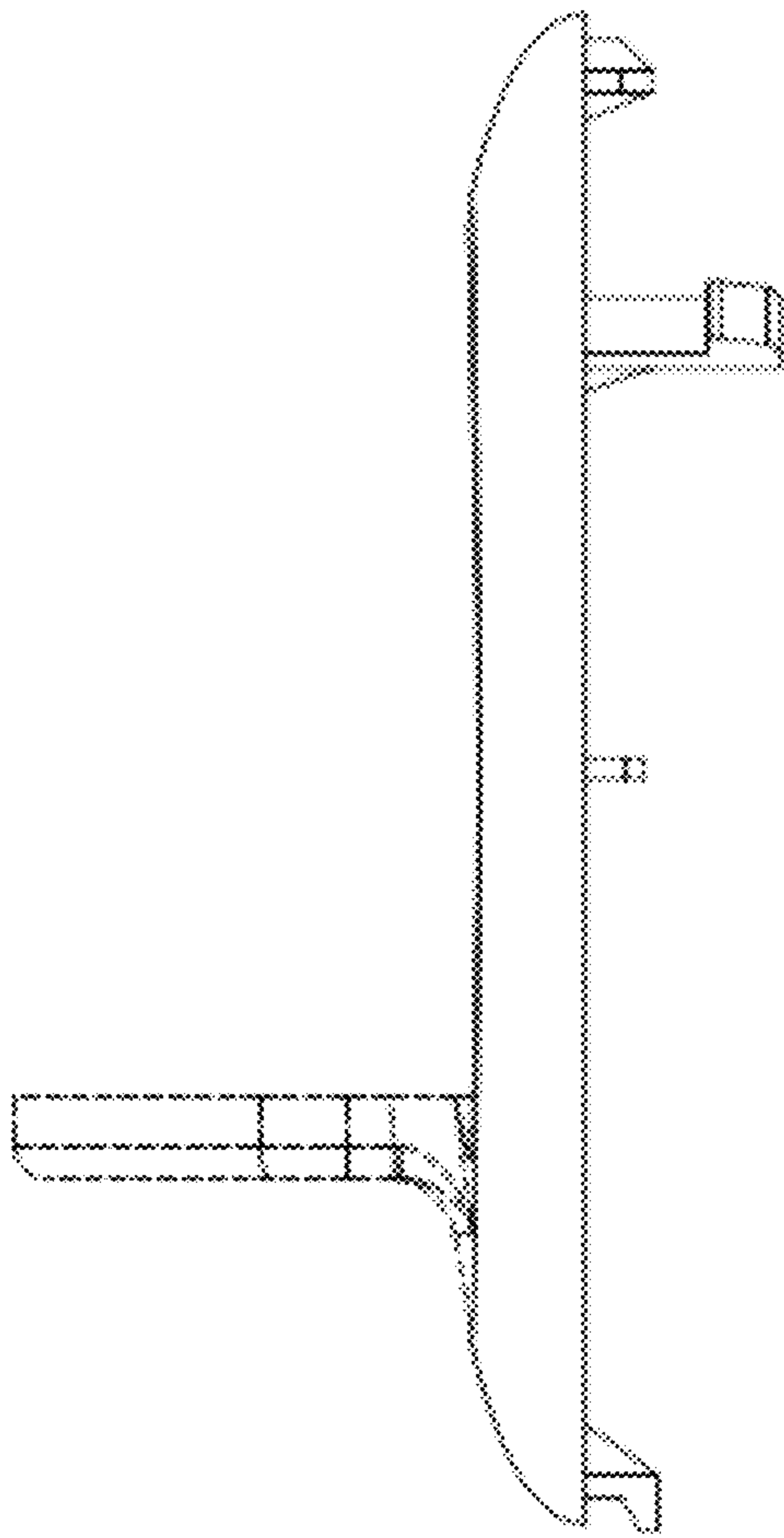


Fig. 12

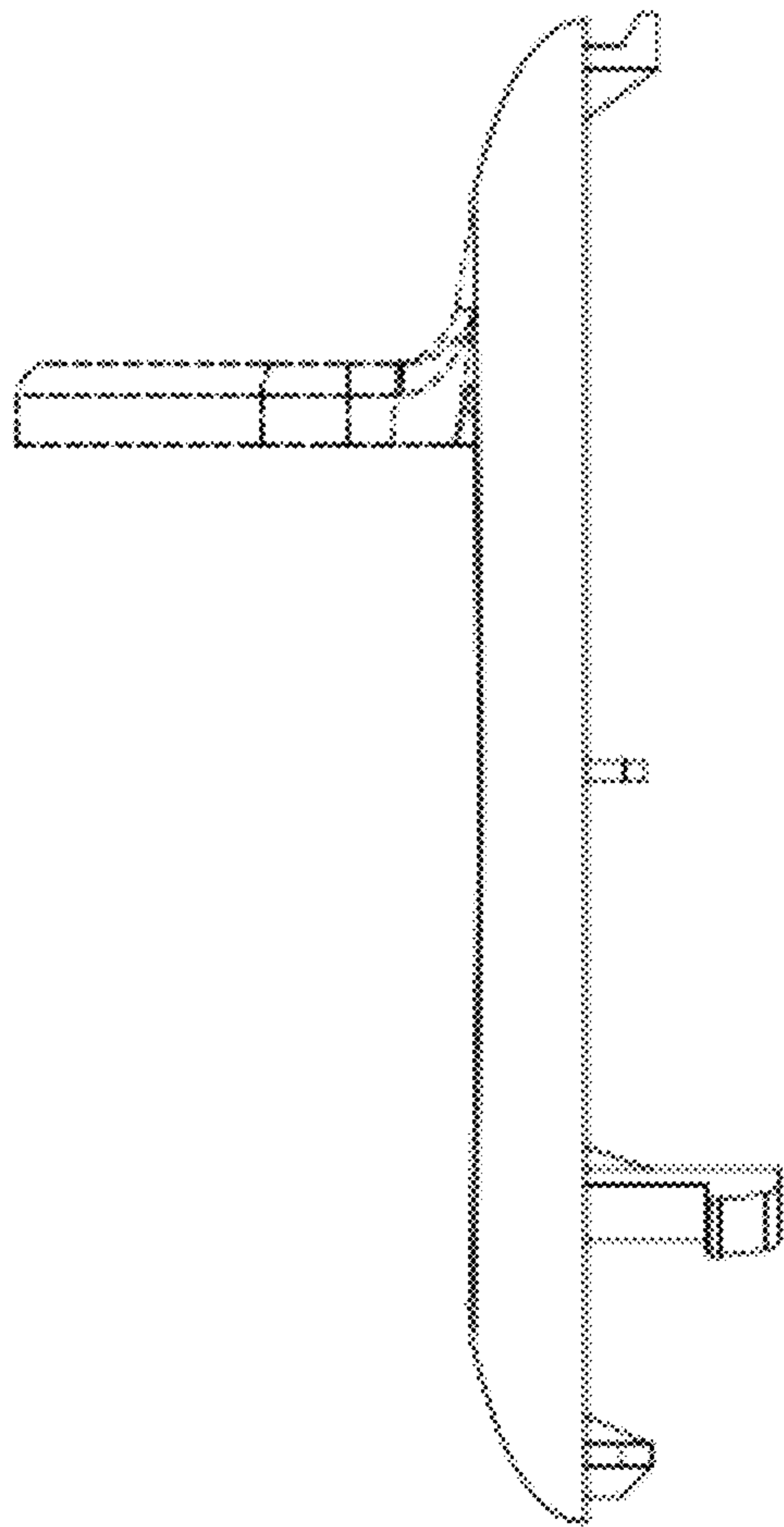


Fig. 13

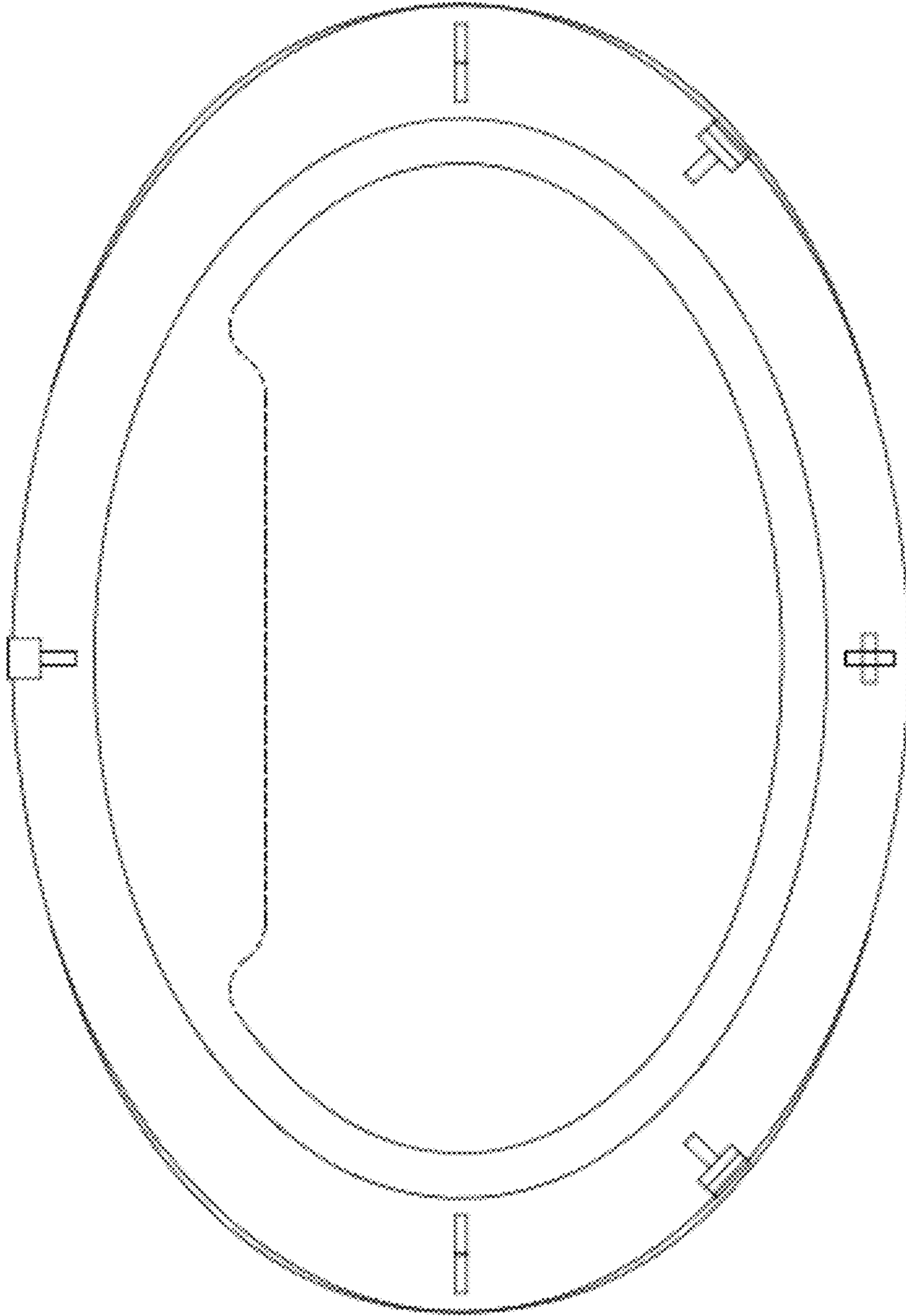


Fig. 14