



US00D883175S

(12) **United States Design Patent**
Metros et al.

(10) **Patent No.:** **US D883,175 S**

(45) **Date of Patent:** **** May 5, 2020**

(54) **VEHICLE WHEEL**

(71) Applicant: **Ford Global Technologies, LLC**,
Dearborn, MI (US)

(72) Inventors: **Craig S. Metros**, Bloomfield, MI (US);
Darrell Behmer, Novi, MI (US);
Melvin Betancourt, Shelby Township,
MI (US); **Stavros Melabiotis**, Livonia,
MI (US)

(73) Assignee: **Ford Global Technologies, LLC**,
Dearborn, MI (US)

(**) Term: **15 Years**

(21) Appl. No.: **29/673,833**

(22) Filed: **Dec. 18, 2018**

(51) **LOC (12) Cl.** **12-16**

(52) **U.S. Cl.**
USPC **D12/211**

(58) **Field of Classification Search**
USPC D12/204–213; D21/563
CPC B60B 7/00; B60B 7/02; B60B 7/04; B60B
7/01; B60B 7/06; B60B 3/02; B60B 3/04;
B60B 3/06; B60B 3/10; B60B 1/00;
B60B 1/08; B60B 1/10; B60B 1/12
See application file for complete search history.

(56) **References Cited**

U.S. PATENT DOCUMENTS

D606,477 S	12/2009	Gelardi et al.	
D646,212 S *	10/2011	Ettensberger	D12/211
D669,008 S *	10/2012	von Holzhausen et al.	D12/211
D673,094 S	12/2012	Behmer et al.	
D673,095 S	12/2012	Behmer et al.	
D673,101 S	12/2012	Behmer et al.	
D673,102 S	12/2012	Behmer et al.	
D691,541 S	10/2013	Behmer et al.	
D694,693 S	12/2013	Behmer et al.	

D706,701 S	6/2014	Mays et al.	
D708,112 S	7/2014	Mays et al.	
D720,270 S	12/2014	Mays et al.	
D721,027 S	1/2015	Mays et al.	
D725,570 S	3/2015	Mays et al.	
D726,091 S	4/2015	Mays et al.	
D726,626 S	4/2015	Mays et al.	
D730,798 S	6/2015	Mays et al.	
D744,931 S	12/2015	Curic et al.	
D749,029 S *	2/2016	Wheel	D12/211
D762,155 S *	7/2016	Juergens	D12/211
D764,371 S *	8/2016	Zhao	D12/211
D764,372 S *	8/2016	Behmer	D12/211
D778,801 S *	2/2017	Bucher	D12/211
D787,409 S *	5/2017	Smith	D12/211
D801,902 S *	11/2017	Pena	D12/211
D823,222 S *	7/2018	Chung	D12/211
D823,223 S *	7/2018	Sempek	D12/211
D823,769 S *	7/2018	Gallert	D12/209

(Continued)

OTHER PUBLICATIONS

Reese Counts, 2020 Ford Shelby GT500 revealed in Instagram post,
<https://www.autoblog.com> Oct. 18, 2018.

Primary Examiner — Stacia A Cadmus

(74) *Attorney, Agent, or Firm* — Vichit Chea

(57) **CLAIM**

The ornamental design for a vehicle wheel, as shown and described.

DESCRIPTION

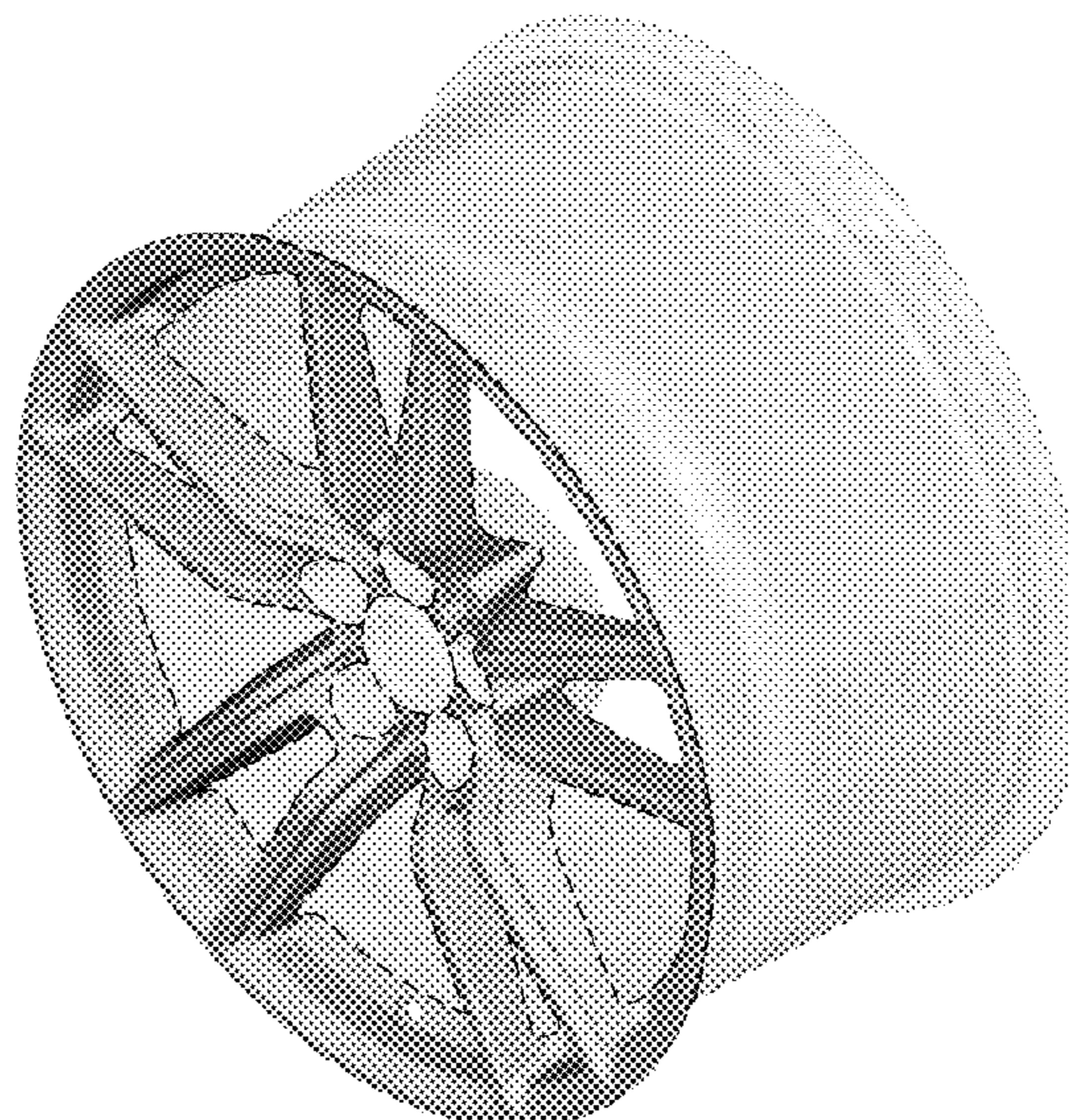
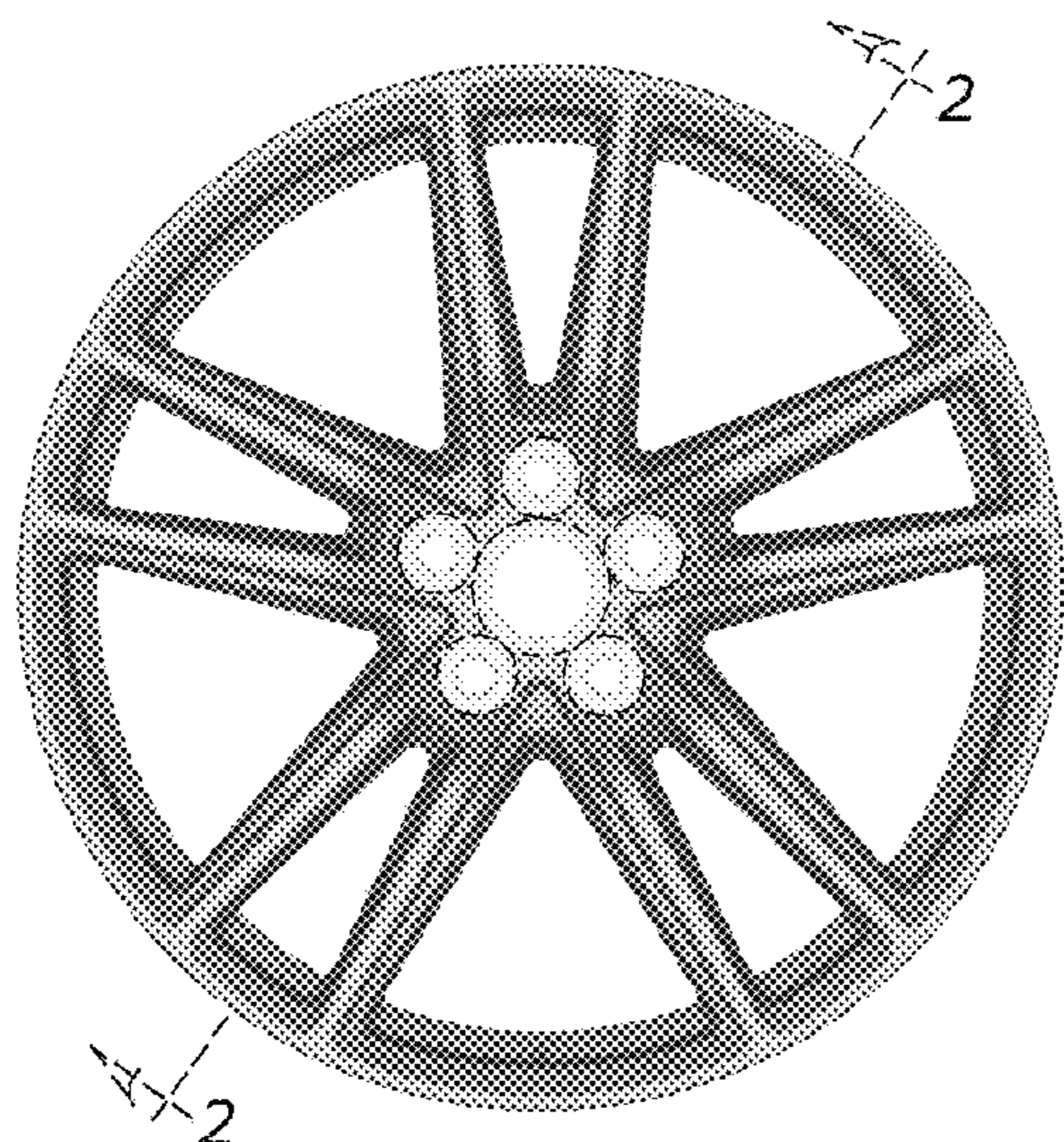
FIG. 1 is a front elevational view of a vehicle wheel showing our new design;

FIG. 2 is a cross sectional view thereof, taken along line 2-2 in FIG. 1; and,

FIG. 3 is a side perspective view thereof.

Any broken lines represent an internal boundary of the design; the line itself and the area within form no part of the claim.

1 Claim, 3 Drawing Sheets



(56)

References Cited

U.S. PATENT DOCUMENTS

D827,538 S	9/2018	Behmer et al.	
D827,539 S	9/2018	Behmer et al.	
D828,800 S *	9/2018	Valencia Pollex	D12/209
D832,179 S	10/2018	Behmer et al.	
D857,597 S *	8/2019	Muto	D12/211

* cited by examiner

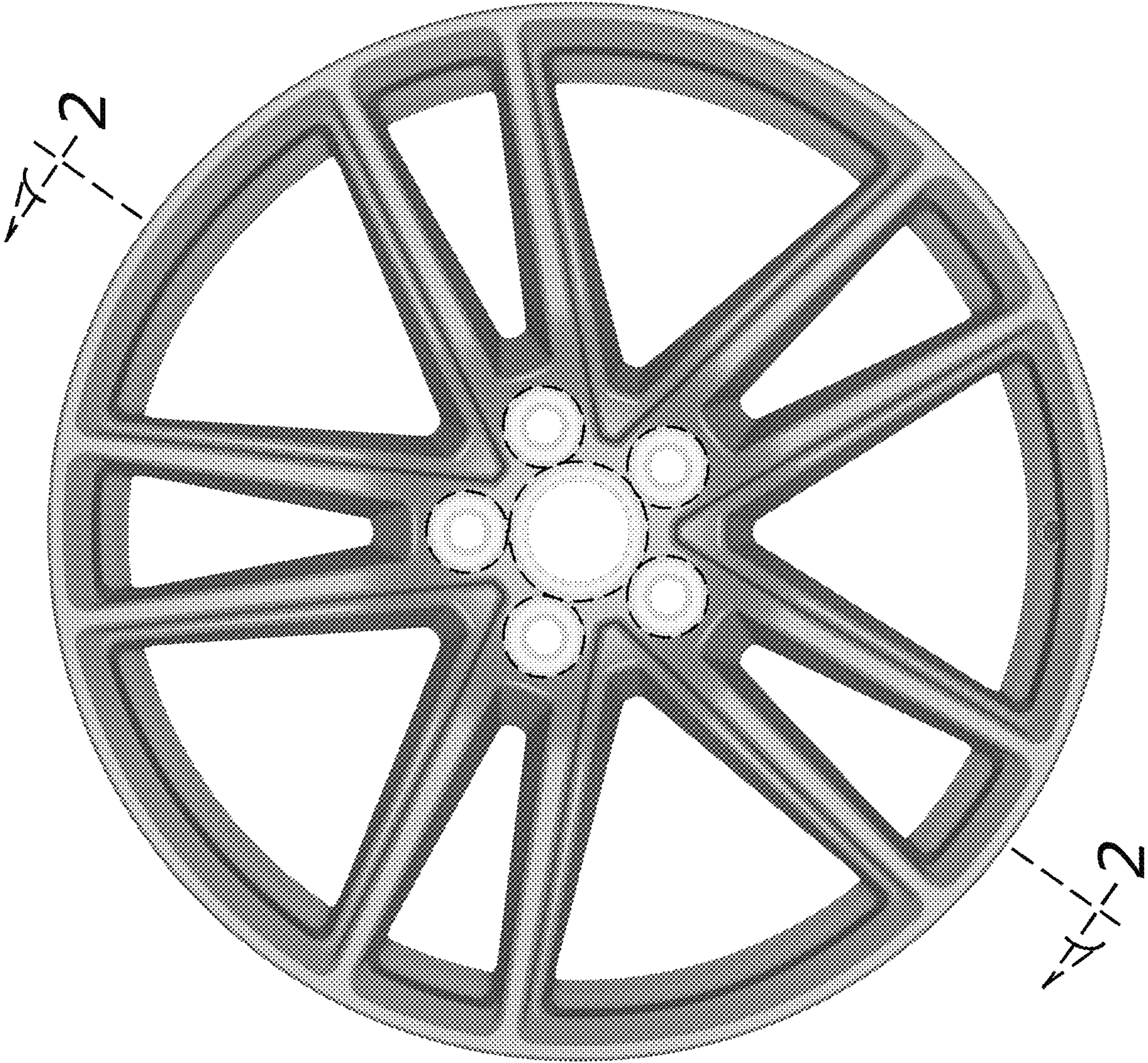


Fig. 1

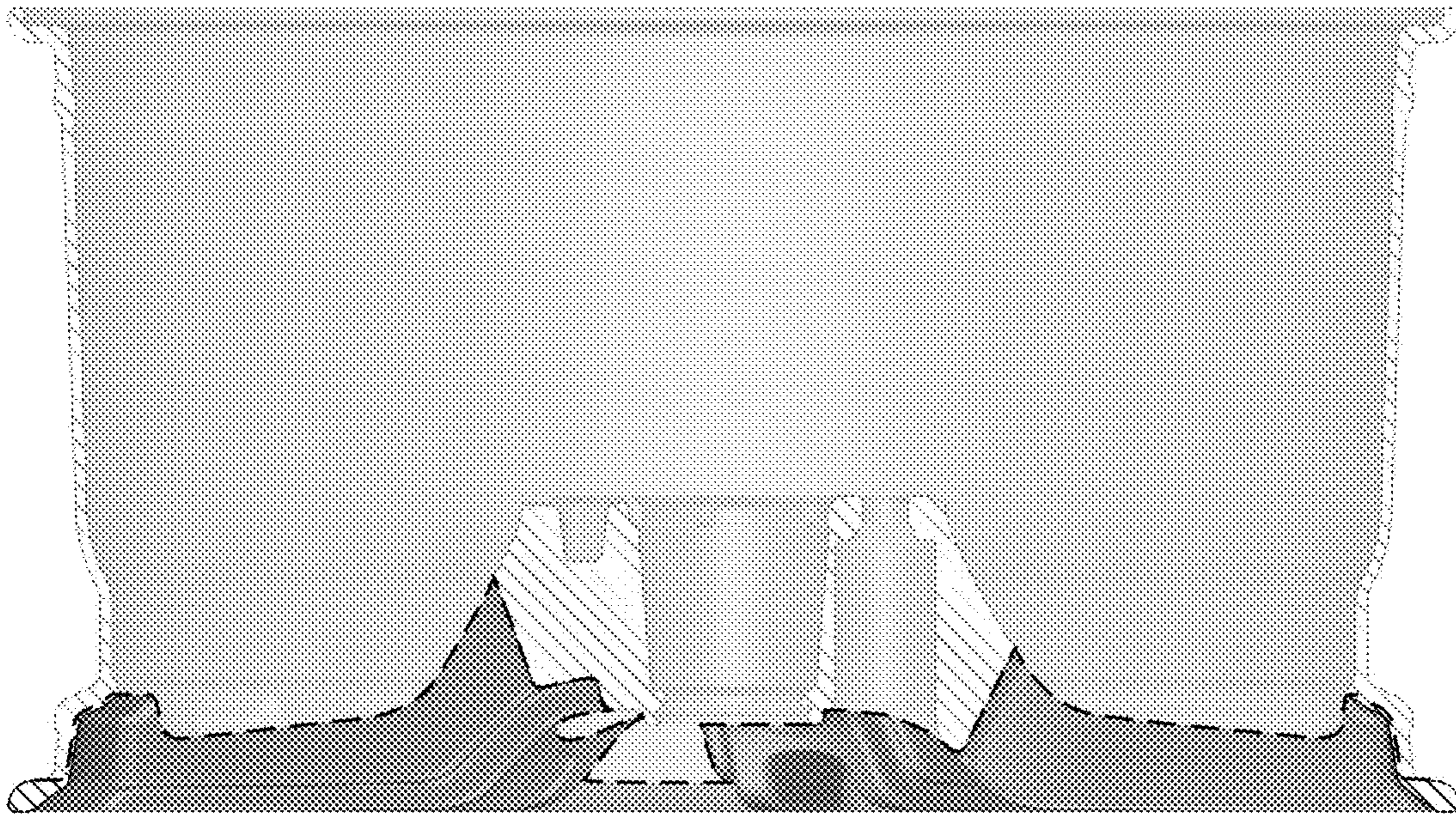


Fig. 2



Fig. 3