



US00D883174S

(12) **United States Design Patent**
Sempek

(10) **Patent No.:** **US D883,174 S**

(45) **Date of Patent:** **** May 5, 2020**

(54) **WHEEL RIM**

(71) Applicant: **Allied Wheel Components**, Garden Grove, CA (US)

(72) Inventor: **Christopher Sean Sempek**, Long Beach, CA (US)

(73) Assignee: **Allied Wheel Components**, Garden Grove, CA (US)

(**) Term: **15 Years**

(21) Appl. No.: **29/664,016**

(22) Filed: **Sep. 20, 2018**

(51) **LOC (12) Cl.** **12-16**

(52) **U.S. Cl.**
USPC **D12/211**

(58) **Field of Classification Search**
USPC D12/204–213
CPC B60B 7/00; B60B 7/02; B60B 7/04; B60B 7/01; B60B 7/06; B60B 3/02; B60B 3/04; B60B 3/06; B60B 3/10; B60B 1/00; B60B 1/08; B60B 1/10; B60B 1/12
See application file for complete search history.

(56) **References Cited**

U.S. PATENT DOCUMENTS

D58,279 S	6/1921	Weeh et al.	
1,404,382 A	1/1922	Lewis et al.	
1,530,863 A	3/1925	Vanderveer et al.	
D396,208 S	7/1998	Baumgartner et al.	
D450,649 S	11/2001	Penzes	
D477,556 S	7/2003	Koch	
D481,984 S	11/2003	Sulahian	
D497,870 S	11/2004	Cahyono	
D503,919 S *	4/2005	Cahyono	D12/211
D504,101 S	4/2005	Pfeiffer	
D508,007 S	8/2005	Koch	
D513,728 S	1/2006	Yazawa et al.	

D516,490 S	3/2006	Baer	
D521,920 S *	5/2006	Phillips	D12/209
D524,217 S	7/2006	Aoki	
D529,426 S	10/2006	Metros et al.	
D534,473 S	1/2007	Bernoni	
D535,606 S *	1/2007	Hernandez	D12/211
D538,215 S	3/2007	Laengerer	
D542,210 S	5/2007	Plumer	
D543,922 S	6/2007	Young	
D555,065 S	11/2007	Hernandez	
D582,831 S *	12/2008	Musser	D12/211
D587,179 S	2/2009	Pfeiffer	
D604,685 S *	11/2009	Zhou	D12/211
D608,711 S	1/2010	Juergens et al.	
D609,624 S	2/2010	Matsubara	
D617,710 S	6/2010	Ectors et al.	
D617,723 S *	6/2010	Zhao	D12/211
D619,070 S	7/2010	Pollmann	
D620,862 S	8/2010	Pollmann	

(Continued)

OTHER PUBLICATIONS

Raceline Wheels, Go Everywhere, Catalog, Apr. 7, 2017, Allied Wheel Components INC, vol. 29, 16 pages.

(Continued)

Primary Examiner — Stacia A Cadmus

(74) *Attorney, Agent, or Firm* — Fish IP Law, LLP

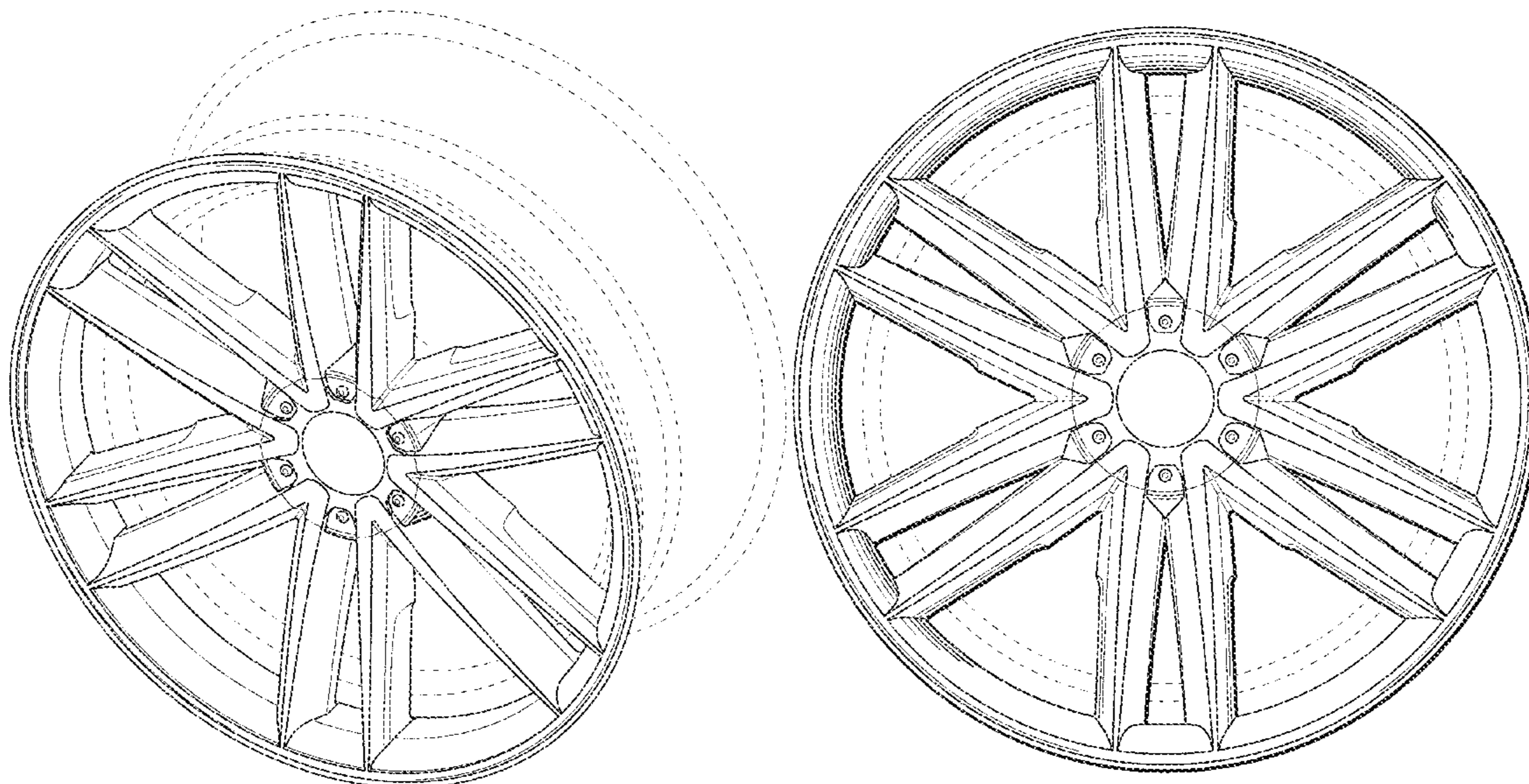
(57) **CLAIM**

I claim the ornamental design for a wheel rim, as shown and described.

DESCRIPTION

FIG. 1 is a top, front, right side perspective view of a wheel rim of the new design; and, FIG. 2 is a front elevation view thereof. The broken lines depicted in FIG. 1 and FIG. 2 are included for the purpose of illustrating a portion of the wheel rim and forms no part of the claimed design.

1 Claim, 2 Drawing Sheets



(56)

References Cited

U.S. PATENT DOCUMENTS

D623,110 S 9/2010 Juergens et al.
 D625,245 S * 10/2010 Hans D12/211
 D628,948 S 12/2010 Chung
 D629,347 S 12/2010 Kim
 D629,733 S * 12/2010 Tirado D12/211
 D632,239 S 2/2011 Gallert
 D639,222 S 6/2011 Johnson
 D644,587 S 9/2011 Gotschke
 D652,363 S * 1/2012 Chung D12/211
 D654,420 S * 2/2012 Guay D12/211
 D655,666 S * 3/2012 Zhao D12/211
 D656,447 S * 3/2012 Johnson D12/211
 D656,451 S * 3/2012 Zhao D12/211
 D656,878 S * 4/2012 Johnson D12/211
 D659,063 S 5/2012 Johnson
 D660,220 S 5/2012 Chan
 D666,546 S 9/2012 Juergens et al.
 D667,355 S 9/2012 Gotschke
 D681,535 S * 5/2013 Zhao D12/211
 D682,180 S 5/2013 Zhao
 D688,190 S 8/2013 Hodges
 D691,542 S 10/2013 Chan
 D695,183 S 12/2013 Chung
 D702,173 S 4/2014 Perini
 D706,196 S 6/2014 Lee
 D715,722 S 10/2014 Johnson
 D717,224 S 11/2014 Kim
 D717,711 S 11/2014 Kern
 D720,271 S 12/2014 Mielke et al.
 D721,318 S 1/2015 Kim
 D722,937 S 2/2015 Johnson
 D724,515 S 3/2015 Chung
 D726,089 S 4/2015 Hodges
 D726,090 S 4/2015 Hilpert
 D739,329 S 9/2015 Watkin
 D744,399 S 12/2015 Juergens et al.
 D744,931 S 12/2015 Curic et al.
 D749,486 S 2/2016 Huang
 D751,481 S 3/2016 Chung
 D751,966 S 3/2016 Zhao
 D753,573 S * 4/2016 Watkin D12/211
 D754,049 S 4/2016 Valencia
 D756,877 S 5/2016 Huang
 D762,155 S * 7/2016 Juergens D12/211
 D763,767 S * 8/2016 Alfonso D12/211

D772,133 S 11/2016 Stone et al.
 D775,047 S 12/2016 Wheel
 D775,049 S * 12/2016 Scheer D12/211
 D781,768 S * 3/2017 Buck D12/211
 D782,951 S 4/2017 Bjerke
 D786,768 S 5/2017 Youssef
 D787,414 S * 5/2017 Alfonso D12/211
 D791,035 S 7/2017 Palana
 D791,673 S * 7/2017 Alfonso D12/211
 D796,411 S * 9/2017 Chung D12/211
 D799,398 S 10/2017 Liffick
 D800,046 S * 10/2017 Chung D12/211
 D800,628 S 10/2017 Tran
 D803,129 S 11/2017 McMath
 D803,751 S * 11/2017 Chung D12/209
 D806,630 S 1/2018 McMath
 D806,631 S * 1/2018 Sempek D12/211
 D808,325 S 1/2018 Chung
 D813,137 S 3/2018 Sempek
 D813,780 S 3/2018 Sempek
 D817,841 S * 5/2018 Chung D12/209
 D817,844 S 5/2018 Hale, Jr.
 D834,489 S * 11/2018 Sempek D12/211

OTHER PUBLICATIONS

Raceline Wheels, Go Everywhere, Catalog, Oct. 16, 2015, Allied Wheel Components INC, vol. 24, 28 pages.
 Raceline Wheels, Go Everywhere, Catalog, Feb. 21, 2017, Allied Wheel Components INC, vol. 22, 9 page.
 Raceline Wheels, Go Everywhere, Catalog, Feb. 21, 2017, Allied Wheel Components INC, vol. 23, 16 pages.
 Raceline Wheels, Go Everywhere, Catalog, Feb. 23, 2017, Allied Wheel Components INC, vol. 28, 20 pages.
 Raceline Wheels, Go Everywhere, Catalog, Mar. 24, 2016, Allied Wheel Components INC, vol. 26, 28 pages.
 Raceline Wheels, Go Everywhere, Catalog, Oct. 24, 2016, Allied Wheel Components Inc, vol. 27, 20 pages.
 Raceline Wheels, Go Everywhere, Catalog, Jan. 26, 2016, Allied Wheel Components INC, vol. 25, 28 pages.
 Raceline Wheels, Go Everywhere, Catalog, Allied Wheel Components INC, vol. 22, 16 pages.
 Raceline Wheels, Go Everywhere, Catalog, Allied Wheel Components INC, vol. 26, 13 pages.

* cited by examiner

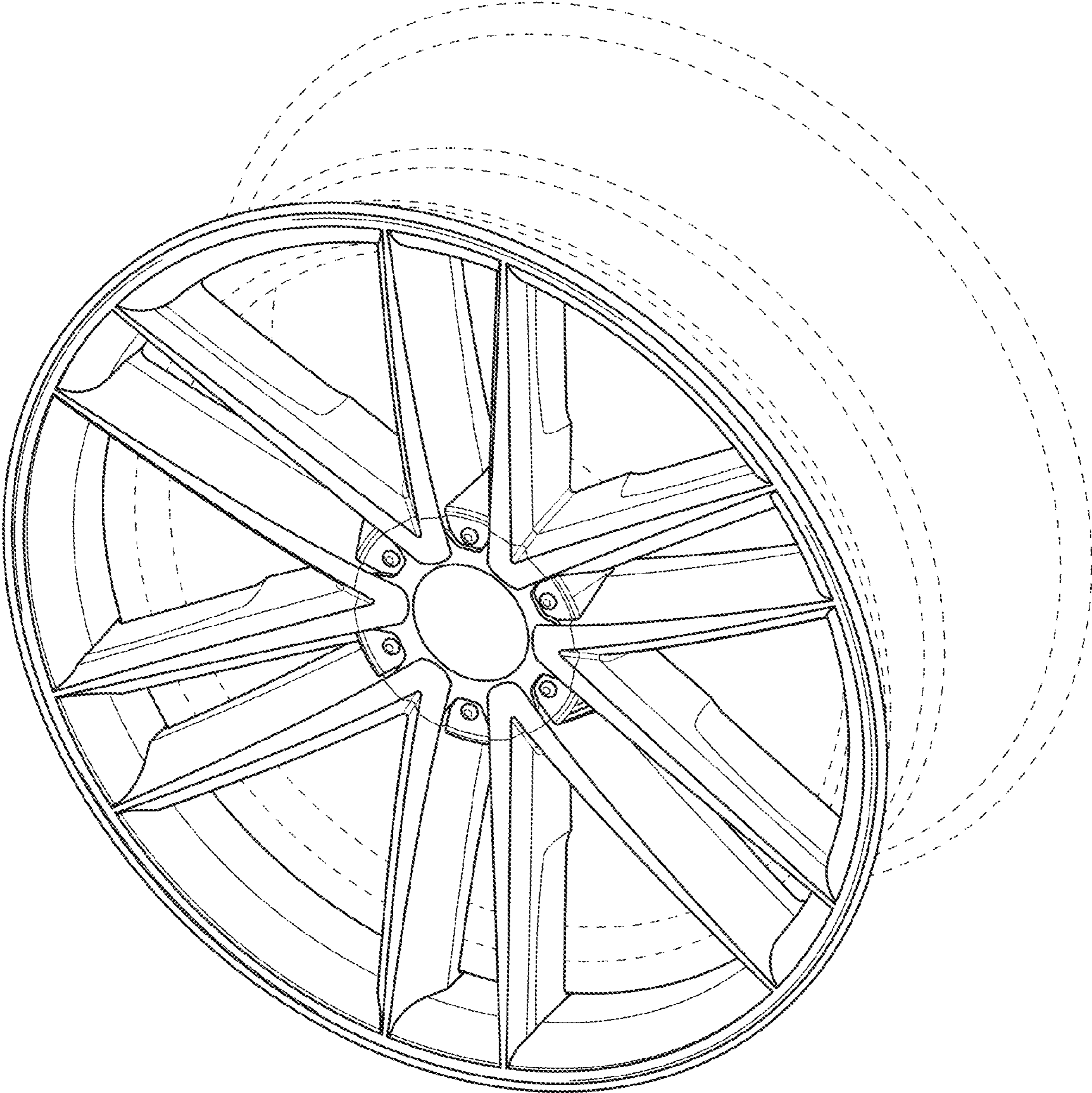


FIG. 1

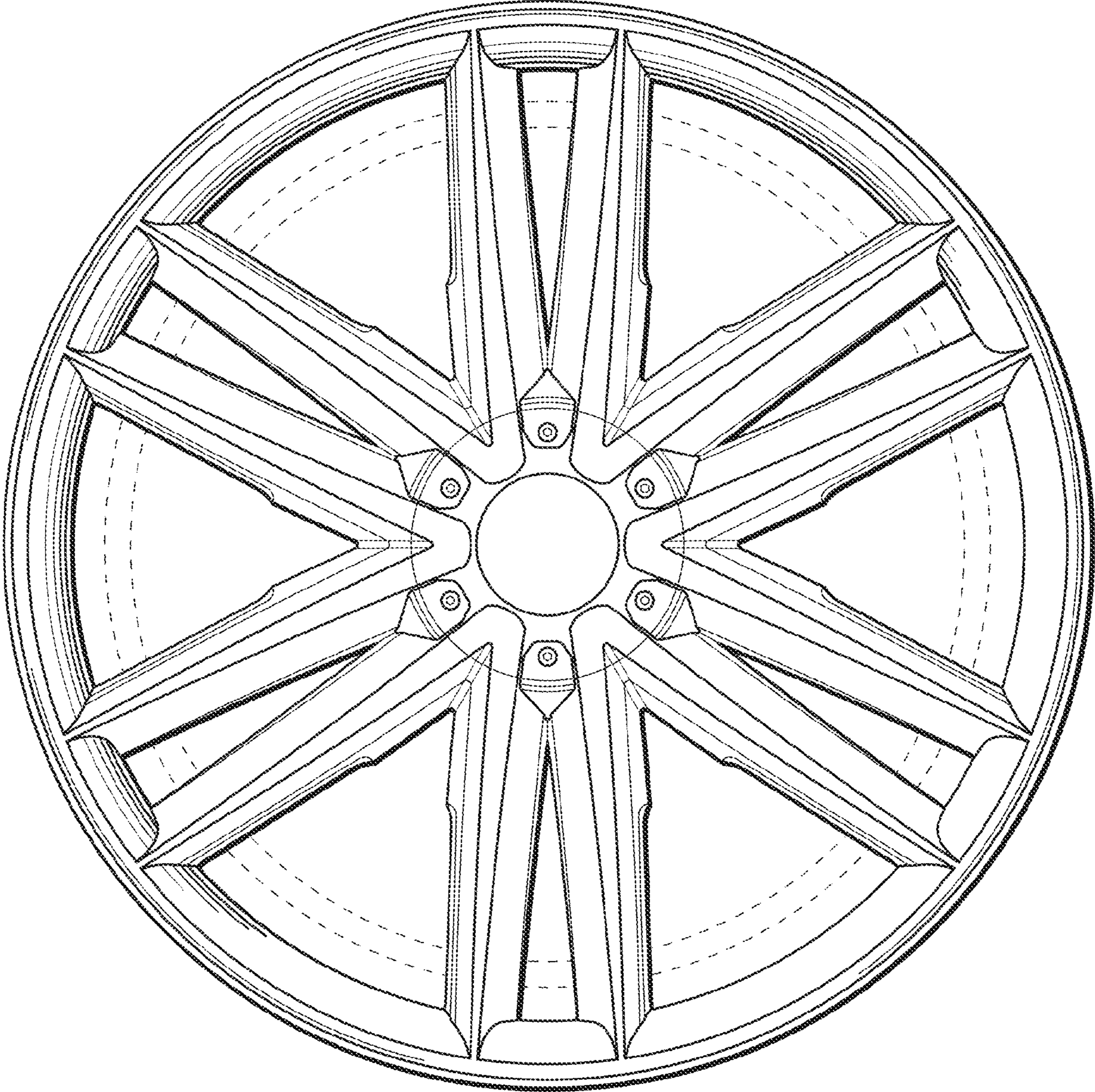


FIG. 2