



US00D883171S

(12) **United States Design Patent**
Goodrich

(10) **Patent No.:** **US D883,171 S**

(45) **Date of Patent:** **** May 5, 2020**

(54) **VEHICLE WHEEL**

(71) Applicant: **Rivian IP Holdings, LLC**, Plymouth, MI (US)

(72) Inventor: **Stephen Goodrich**, Clawson, MI (US)

(73) Assignee: **Rivian IP Holdings, LLC**, Plymouth, MI (US)

(**) Term: **15 Years**

(21) Appl. No.: **29/669,992**

(22) Filed: **Nov. 13, 2018**

(51) **LOC (12) Cl.** **12-16**

(52) **U.S. Cl.**
USPC **D12/209; D21/563**

(58) **Field of Classification Search**
USPC **D12/204–213**
CPC **B60B 7/00; B60B 7/02; B60B 7/04; B60B 7/01; B60B 7/06; B60B 3/02; B60B 3/04; B60B 3/06; B60B 3/10; B60B 1/00; B60B 1/08; B60B 1/10; B60B 1/12**
See application file for complete search history.

(56) **References Cited**

U.S. PATENT DOCUMENTS

D409,967 S * 5/1999 Chung D12/209
D444,439 S * 7/2001 Cullen D12/211
D459,687 S * 7/2002 Chung D12/209

D484,838 S * 1/2004 Tai D12/209
D494,124 S * 8/2004 Aiello D12/211
D503,917 S * 4/2005 Kushartanto D12/209
D527,325 S * 8/2006 Nagashima D12/209
D535,933 S * 1/2007 Markefka D12/209
D544,426 S * 6/2007 Siler D12/209
D713,312 S * 9/2014 Villarruel D12/209
D730,796 S * 6/2015 Dingle D12/209
D747,250 S * 1/2016 Bildhaeuser D12/209
D777,638 S * 1/2017 Peat D12/209
D783,493 S * 4/2017 Hubers D12/209
D833,362 S * 11/2018 Bjerke D12/211
D848,339 S * 5/2019 Buck D12/209
D857,584 S * 8/2019 Chan D12/209
D860,104 S * 9/2019 Kikuchi D12/211
D865,629 S * 11/2019 Ma D12/209
D874,378 S * 2/2020 Valencia Pollex D12/211

* cited by examiner

Primary Examiner — Stacia A Cadmus

(74) *Attorney, Agent, or Firm* — Haley Guiliano LLP; James A. Leiz

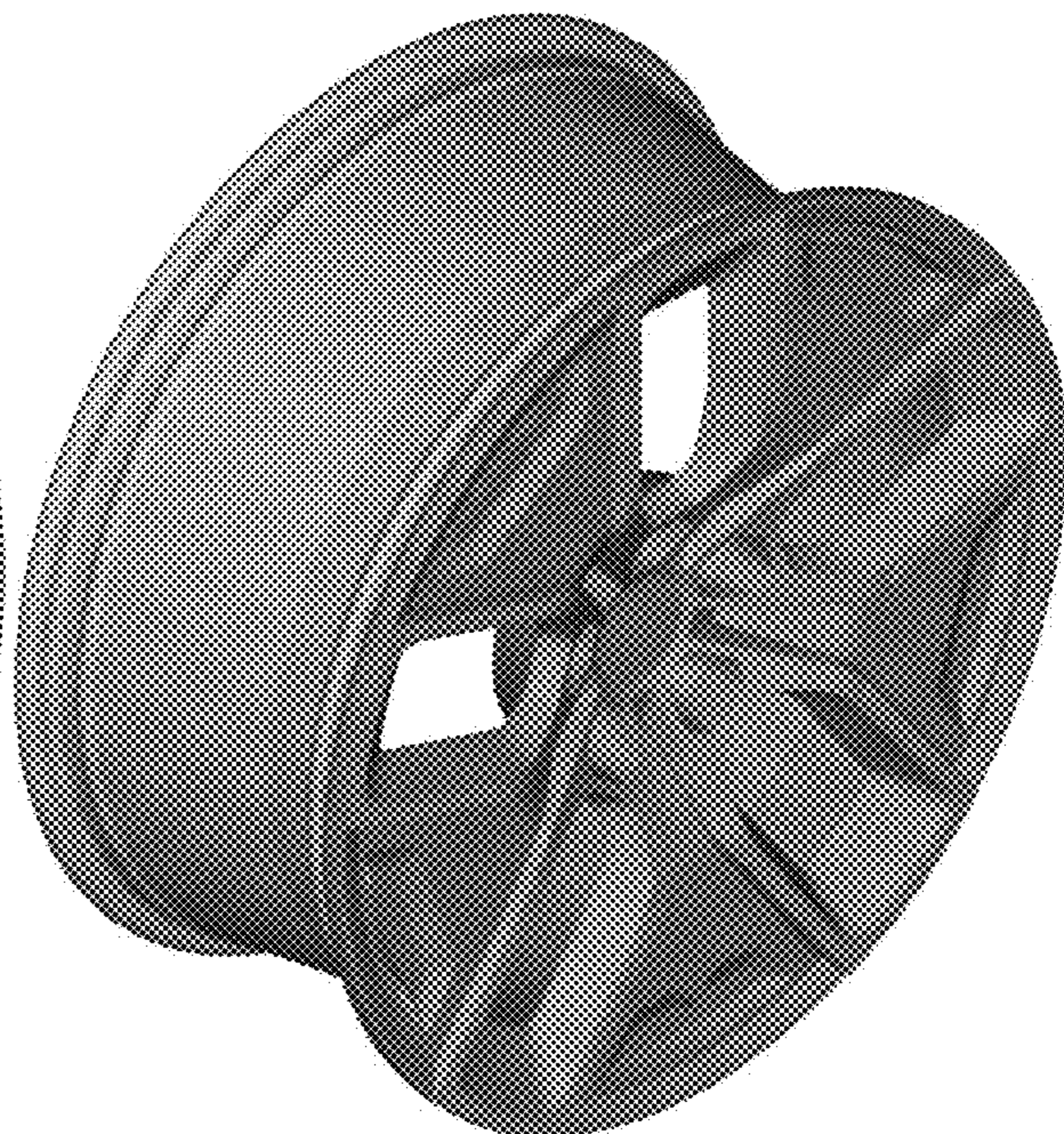
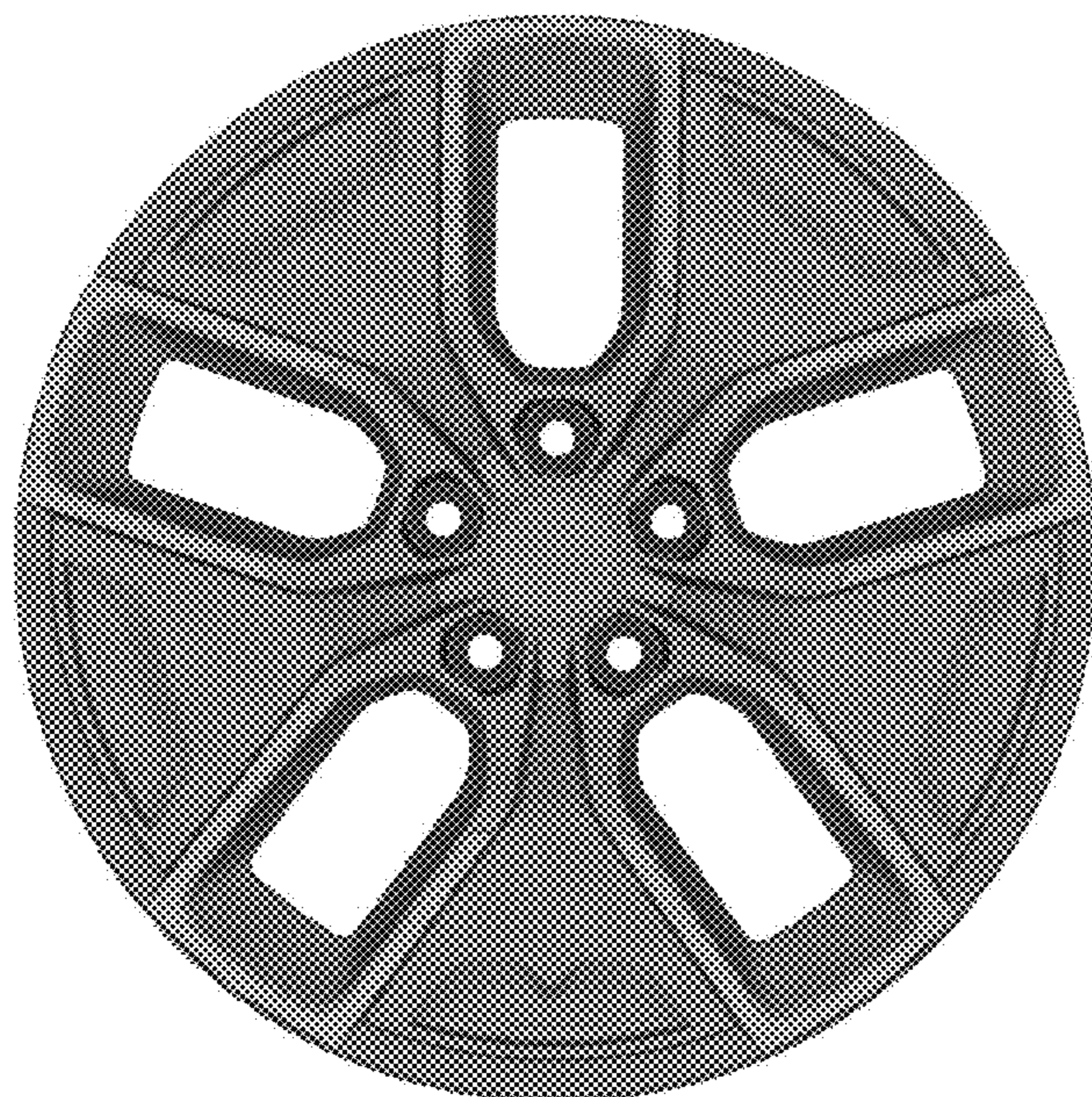
(57) **CLAIM**

The ornamental design for a vehicle wheel, as shown and described.

DESCRIPTION

FIG. 1 is a front elevational view of a vehicle wheel showing the claimed design; and, FIG. 2 is a front perspective view of the vehicle wheel.

1 Claim, 2 Drawing Sheets



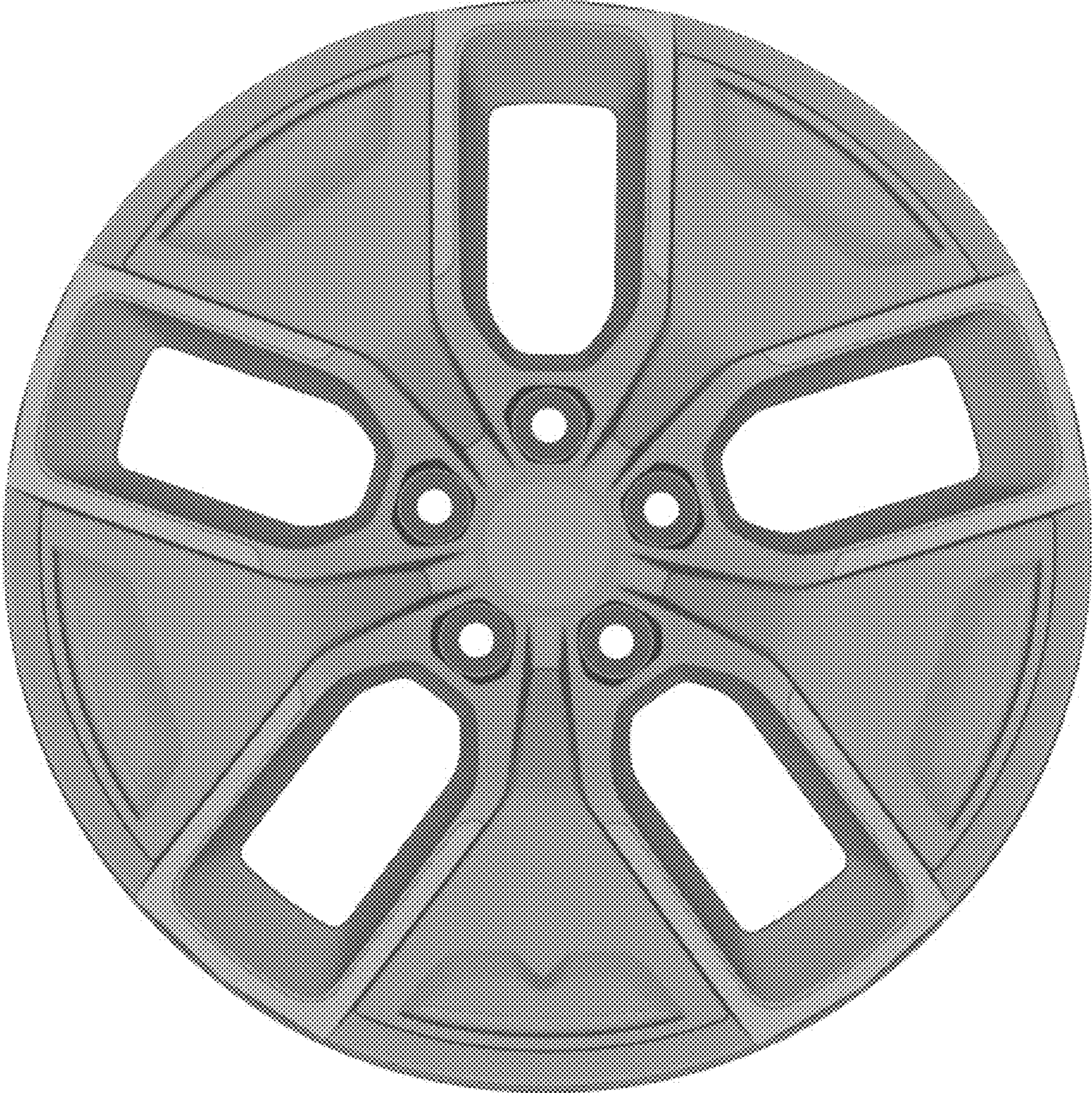


FIG. 1

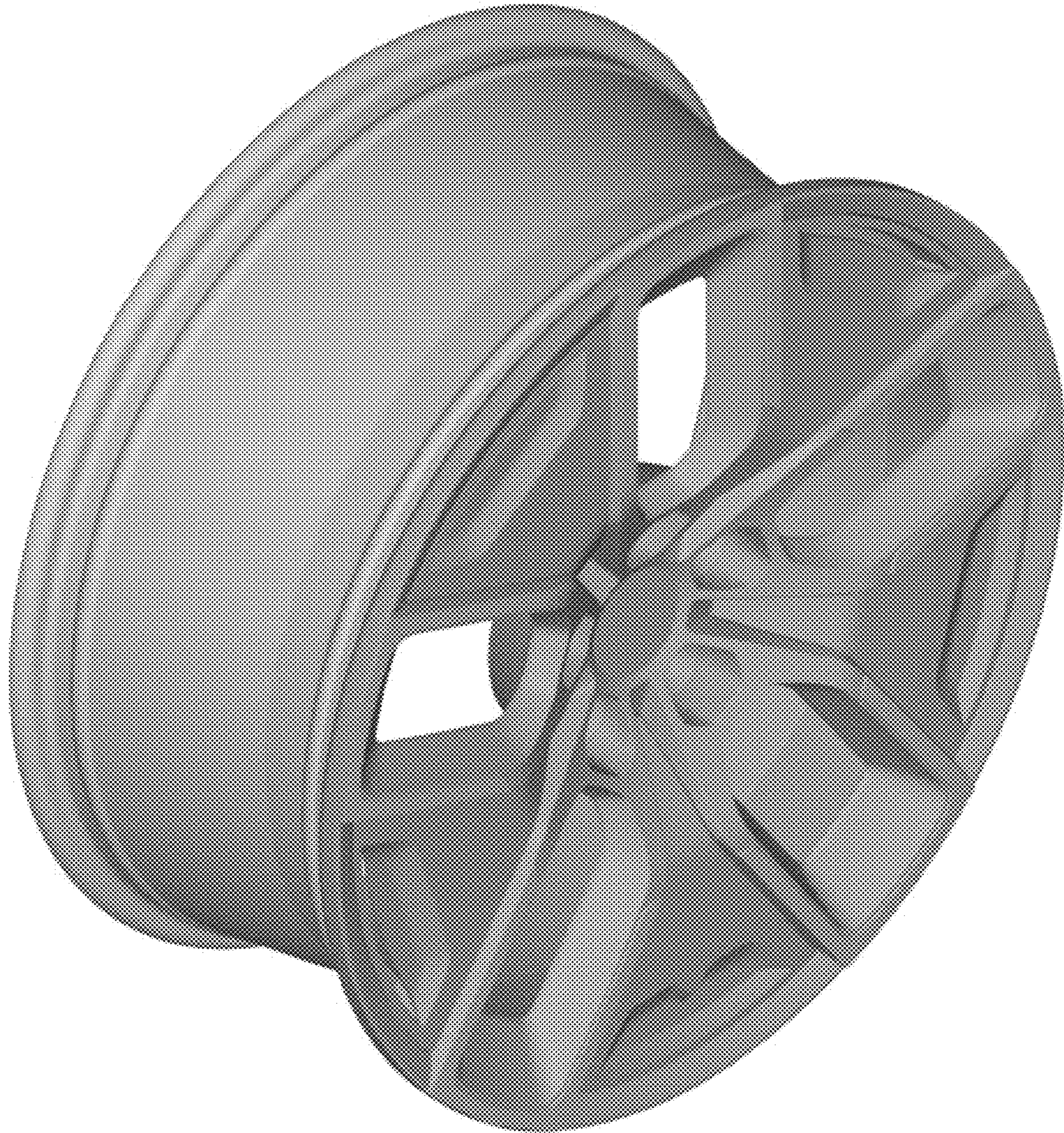


FIG. 2