



US00D883168S

(12) **United States Design Patent**
Sempek

(10) **Patent No.:** **US D883,168 S**

(45) **Date of Patent:** **** May 5, 2020**

(54) **WHEEL RIM**

(71) Applicant: **Allied Wheel Components**, Garden Grove, CA (US)

(72) Inventor: **Christopher Sean Sempek**, Long Beach, CA (US)

(73) Assignee: **Allied Wheel Components**, Garden Grove, CA (US)

(**) Term: **15 Years**

(21) Appl. No.: **29/664,019**

(22) Filed: **Sep. 20, 2018**

(51) **LOC (12) Cl.** **12-16**

(52) **U.S. Cl.**
USPC **D12/209**

(58) **Field of Classification Search**
USPC D12/204–213
CPC B60B 7/00; B60B 7/02; B60B 7/04; B60B 7/01; B60B 7/06; B60B 3/02; B60B 3/04; B60B 3/06; B60B 3/10; B60B 1/00; B60B 1/08; B60B 1/10; B60B 1/12
See application file for complete search history.

(56) **References Cited**

U.S. PATENT DOCUMENTS

D58,279 S	6/1921	Weeh et al.	
1,404,382 A	1/1922	Fine	
1,530,863 A	3/1925	Vanderveer et al.	
D396,208 S	7/1998	Baumgartner et al.	
D444,119 S *	6/2001	Brintouch	D12/211
D450,649 S	11/2001	Penzes	
D475,669 S *	6/2003	Boyer	D12/209
D477,556 S	7/2003	Koch	
D481,984 S	11/2003	Sulahian	
D497,870 S	11/2004	Cahyono	
D504,101 S	4/2005	Pfeiffer	
D506,965 S *	7/2005	Kataoka	D12/209

D508,007 S	8/2005	Koch	
D513,728 S	1/2006	Yazawa et al.	
D516,490 S	3/2006	Baer	
D524,217 S	7/2006	Aoki	
D529,426 S	10/2006	Metros et al.	
D534,473 S	1/2007	Bernoni	
D538,215 S	3/2007	Laengerer	
D542,210 S	5/2007	Plumer	
D543,922 S	6/2007	Young	
D555,065 S	11/2007	Hernandez	
D582,829 S *	12/2008	Musser	D12/211
D587,179 S	2/2009	Pfeiffer	
D608,711 S	1/2010	Juergens et al.	
D609,624 S	2/2010	Matsubara	
D617,710 S	6/2010	Ectors et al.	
D619,070 S	7/2010	Pollmann	
D620,419 S *	7/2010	Lamm	D12/209
D620,862 S	8/2010	Pollmann	
D623,110 S	9/2010	Juergens et al.	

(Continued)

OTHER PUBLICATIONS

Raceline Wheels, Go Everywhere, Catalog, Apr. 7, 2017, Allied Wheel Components Inc, vol. 29, 16 pages.

(Continued)

Primary Examiner — Stacia A Cadmus

(74) *Attorney, Agent, or Firm* — Fish IP Law, LLP

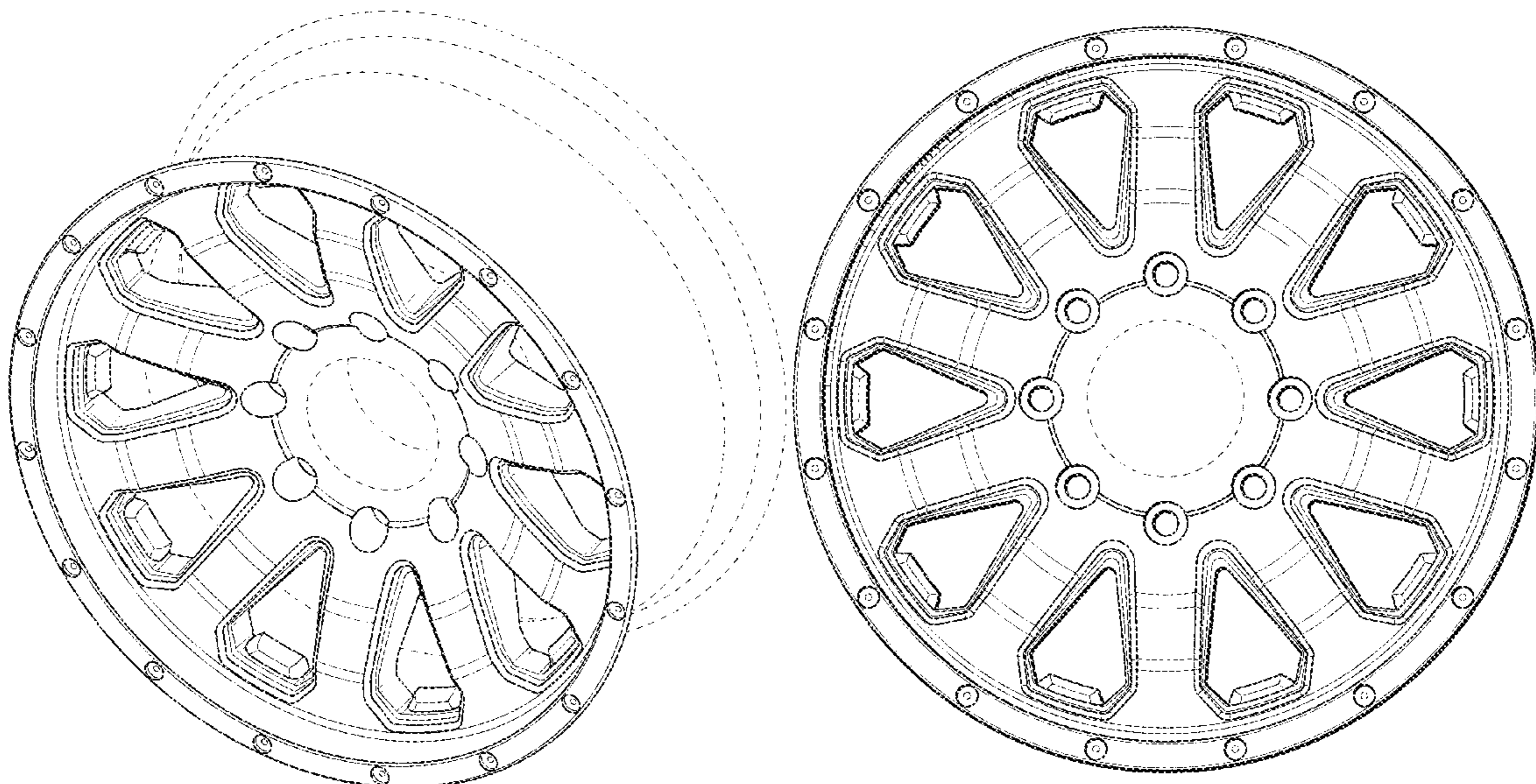
(57) **CLAIM**

I claim the ornamental design for a wheel rim, as shown and described.

DESCRIPTION

FIG. 1 is a top, front, right side perspective view of a wheel rim of the new design; and, FIG. 2 is a front elevation view thereof. The broken lines depicted in FIG. 1 and FIG. 2 are included for the purpose of illustrating a portion of the wheel rim and forms no part of the claimed design.

1 Claim, 2 Drawing Sheets



(56)

References Cited

U.S. PATENT DOCUMENTS

D628,948 S 12/2010 Chung
 D629,347 S * 12/2010 Kim D12/211
 D632,239 S 2/2011 Gallert
 D638,763 S * 5/2011 Chung D12/209
 D639,222 S * 6/2011 Johnson D12/209
 D644,587 S 9/2011 Gotschke
 D649,101 S * 11/2011 Hale, Jr. D12/209
 D659,063 S 5/2012 Johnson
 D659,067 S * 5/2012 Lee D12/209
 D660,220 S 5/2012 Chan
 D660,766 S * 5/2012 Gotschke D12/209
 D666,546 S 9/2012 Juergens et al.
 D666,958 S * 9/2012 Suzuki D12/211
 D667,355 S 9/2012 Gotschke
 D669,009 S * 10/2012 Chung D12/211
 D678,160 S * 3/2013 Claunch D12/209
 D678,162 S * 3/2013 Claunch D12/209
 D680,936 S * 4/2013 Claunch D12/209
 D682,180 S 5/2013 Zhao
 D686,963 S * 7/2013 Hale, Jr. D12/211
 D688,190 S 8/2013 Hodges
 D691,542 S 10/2013 Chan
 D695,183 S 12/2013 Chung
 D699,173 S * 2/2014 Zhao D12/211
 D702,173 S 4/2014 Perini
 D705,715 S * 5/2014 Johnson D12/209
 D706,196 S 6/2014 Lee
 D715,722 S 10/2014 Johnson
 D715,724 S * 10/2014 Chung D12/211
 D717,224 S 11/2014 Kim
 D717,711 S 11/2014 Kern
 D718,204 S * 11/2014 Johnson D12/209
 D720,271 S 12/2014 Mielke et al.
 D721,318 S 1/2015 Kim
 D722,937 S * 2/2015 Johnson D12/209
 D724,515 S 3/2015 Chung
 D726,089 S 4/2015 Hodges
 D726,090 S 4/2015 Hilpert
 D739,327 S * 9/2015 Wagener D12/209
 D739,329 S 9/2015 Watkin
 D744,399 S 12/2015 Juergens et al.
 D744,931 S 12/2015 Curic et al.
 D749,486 S 2/2016 Huang
 D751,481 S 3/2016 Chung
 D751,966 S 3/2016 Zhao
 D753,048 S * 4/2016 Chan D12/211

D754,049 S 4/2016 Valencia
 D756,877 S 5/2016 Huang
 D764,375 S * 8/2016 Chung D12/211
 D772,133 S 11/2016 Stone et al.
 D775,047 S 12/2016 Wheel
 D782,385 S * 3/2017 Zhao D12/211
 D782,951 S 4/2017 Bjerke
 D786,768 S 5/2017 Youssef
 D788,006 S * 5/2017 Platto D12/211
 D791,035 S 7/2017 Palana
 D799,398 S 10/2017 Liffick
 D800,628 S 10/2017 Tran
 D803,129 S 11/2017 McMath
 D806,626 S * 1/2018 Tran D12/208
 D806,630 S 1/2018 McMath
 D808,325 S 1/2018 Chung
 D808,878 S * 1/2018 Sempek D12/209
 D813,137 S 3/2018 Sempek
 D813,780 S * 3/2018 Sempek D12/209
 D817,844 S 5/2018 Hale, Jr.
 D823,775 S * 7/2018 Sempek D12/211
 D823,776 S * 7/2018 Glover D12/211
 D834,483 S * 11/2018 Johnson D12/209
 D835,021 S * 12/2018 Sempek D12/209

OTHER PUBLICATIONS

Raceline Wheels, Go Everywhere, Catalog, Oct. 16, 2015, Allied Wheel Components Inc, vol. 24, 28 pages.
 Raceline Wheels, Go Everywhere, Catalog, Feb. 21, 2017, Allied Wheel Components Inc, vol. 22, 9 pages.
 Raceline Wheels, Go Everywhere, Catalog, Feb. 21, 2017, Allied Wheel Components Inc, vol. 23, 16 pages.
 Raceline Wheels, Go Everywhere, Catalog, Feb. 23, 2017, Allied Wheel Components Inc, vol. 28, 20 pages.
 Raceline Wheels, Go Everywhere, Catalog, Mar. 24, 2016, Allied Wheel Components Inc, vol. 26, 28 pages.
 Raceline Wheels, Go Everywhere, Catalog, Oct. 24, 2016, Allied Wheel Components Inc, vol. 27, 20 pages.
 Raceline Wheels, Go Everywhere, Catalog, Jan. 26, 2016, Allied Wheel Components Inc, vol. 25, 28 pages.
 Raceline Wheels, Go Everywhere, Catalog, Allied Wheel Components Inc, vol. 22, 16 pages.
 Raceline Wheels, Go Everywhere, Catalog, Allied Wheel Components Inc, vol. 26, 13 pages.

* cited by examiner

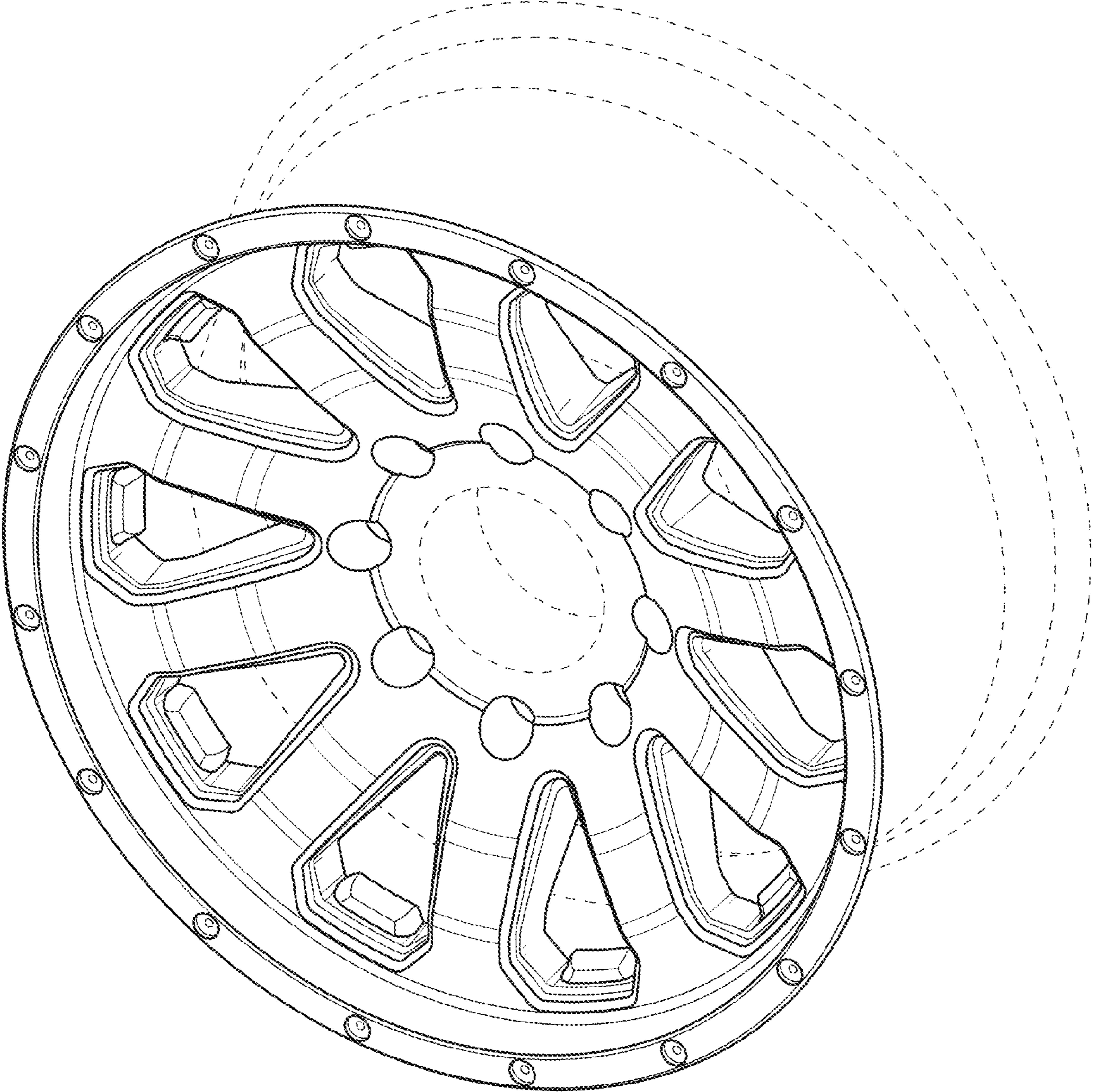


FIG. 1

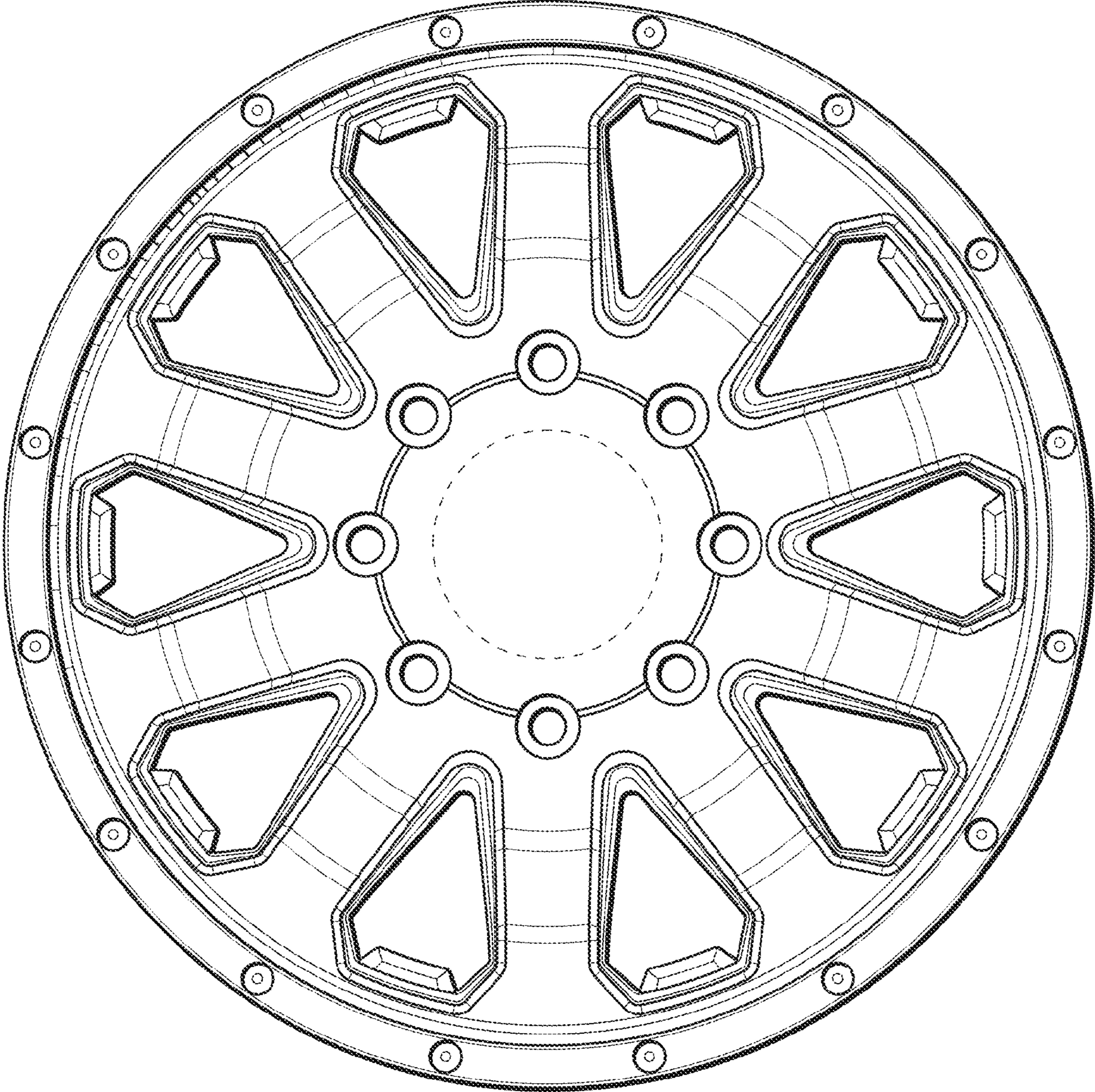


FIG. 2