



US00D883167S

(12) **United States Design Patent** (10) **Patent No.:** **US D883,167 S**
McMath (45) **Date of Patent:** **** May 5, 2020**

(54) **PAIR OF LOWER FENDERS**

D817,839 S * 5/2018 Rolfs D12/203
D833,957 S * 11/2018 DiCanzio D12/414
D860,896 S * 9/2019 Rolfs D12/203

(71) Applicant: **Robert Roy McMath**, Riverside, CA
(US)

* cited by examiner

(72) Inventor: **Robert Roy McMath**, Riverside, CA
(US)

Primary Examiner — George D. Kirschbaum
Assistant Examiner — Joseph J Kukella
(74) *Attorney, Agent, or Firm* — Curtis L. Harrington;
Harrington & Harrington

(**) Term: **15 Years**

(21) Appl. No.: **29/677,981**

(57) **CLAIM**
The ornamental design for a pair of lower fenders, as shown and described.

(22) Filed: **Jan. 24, 2019**

DESCRIPTION

(51) **LOC (12) Cl.** **12-16**

(52) **U.S. Cl.**
USPC **D12/203**

(58) **Field of Classification Search**
USPC D12/90, 91, 92, 169, 181, 184, 190, 195,
D12/196, 203
CPC B60J 5/00; B60J 5/02; B60J 5/04; B60J
5/10; B62D 25/02; B62D 25/04
See application file for complete search history.

FIG. 1 is a left side perspective view of a pair of lower fenders, in use condition showing my new design;
FIG. 2 is an enlarged left side perspective view thereof;
FIG. 3 is a rear side elevation view thereof;
FIG. 4 is a front side elevation view thereof;
FIG. 5 is a right side elevation view thereof;
FIG. 6 is a left side elevation view thereof;
FIG. 7 is a top plan view thereof; and,
FIG. 8 is a bottom plan view thereof.
The dash-dash even broken lines illustrate and surround portions of the pair of lower fenders that form no part of the claimed design. The dash-dot-dot broken lines shown in the drawings illustrate vehicle environmental subject matter which forms no part of the claimed design.

(56) **References Cited**

U.S. PATENT DOCUMENTS

D567,729 S * 4/2008 Crandall D12/203
D718,195 S * 11/2014 Hayes D12/167
D751,953 S * 3/2016 Hayes D12/167

1 Claim, 3 Drawing Sheets

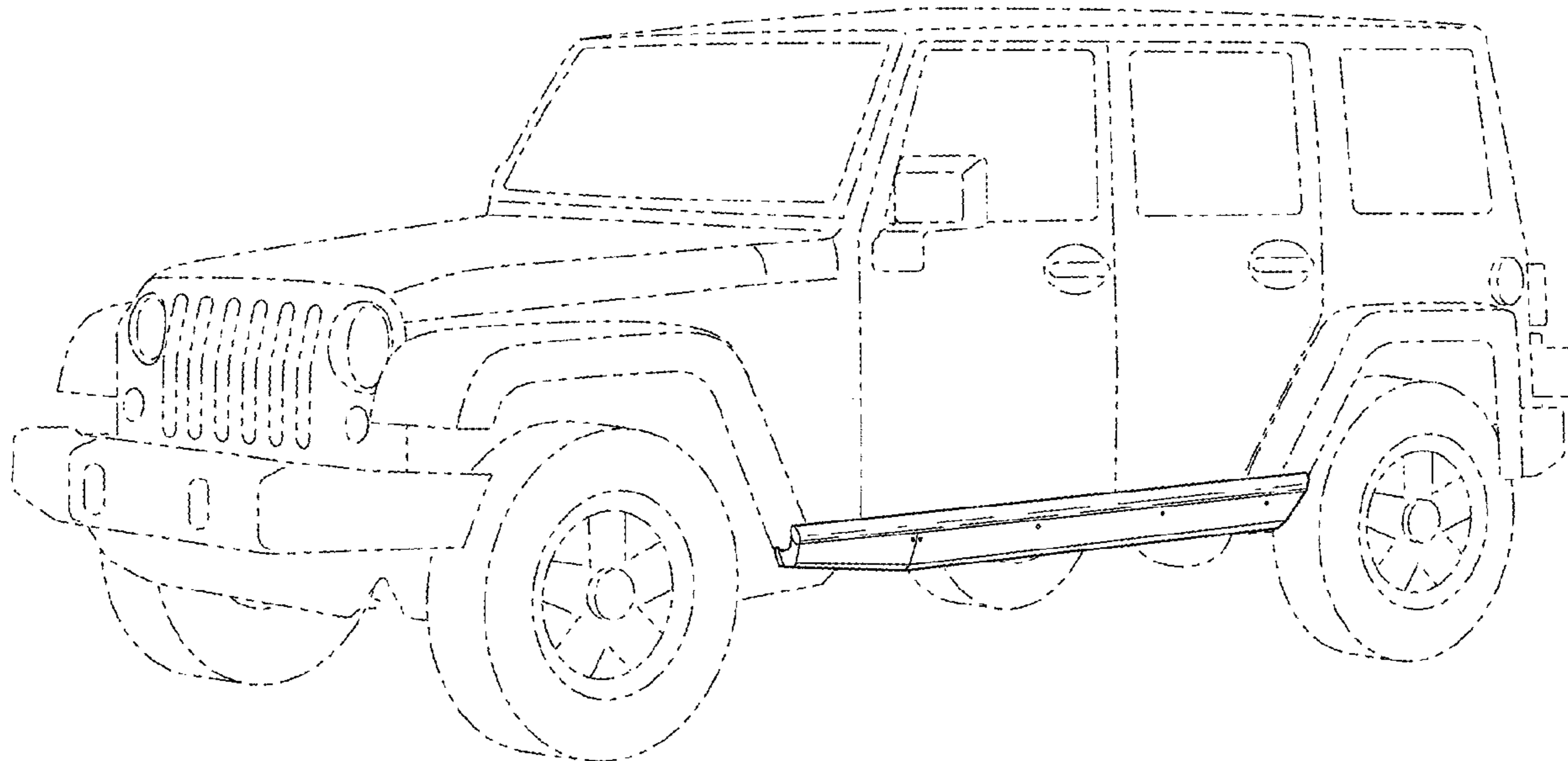


Fig. 1

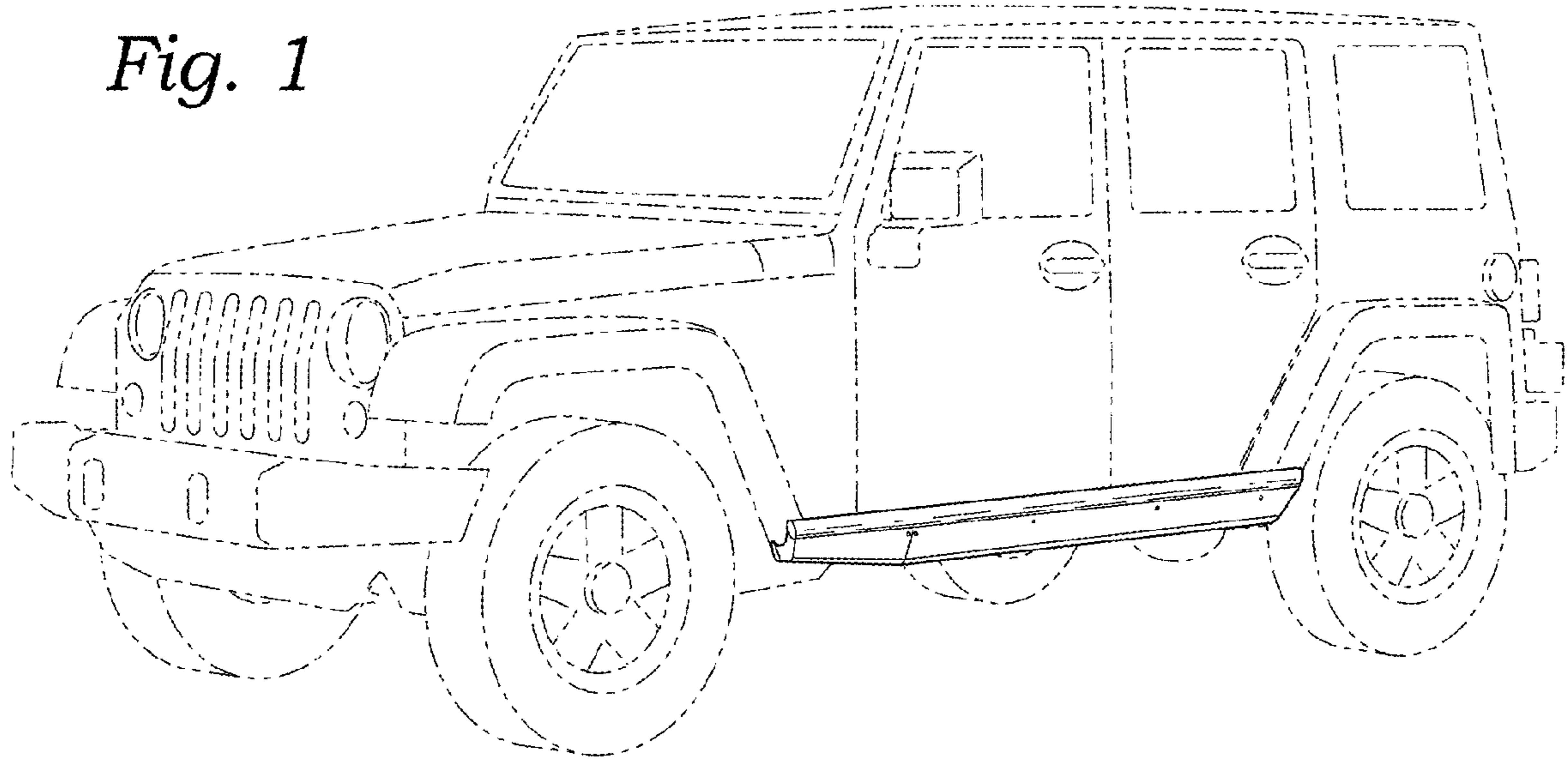


Fig. 2

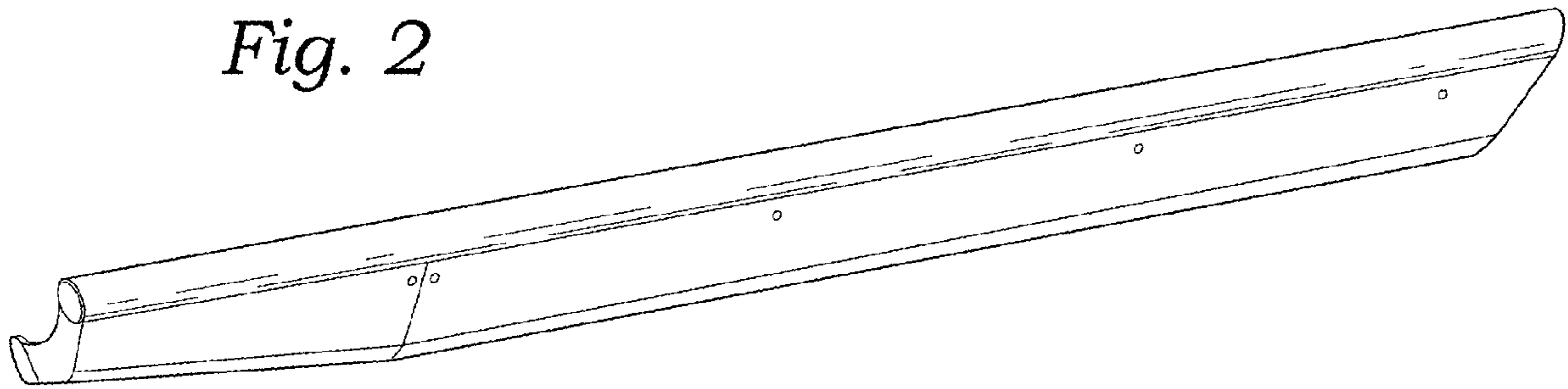


Fig. 3

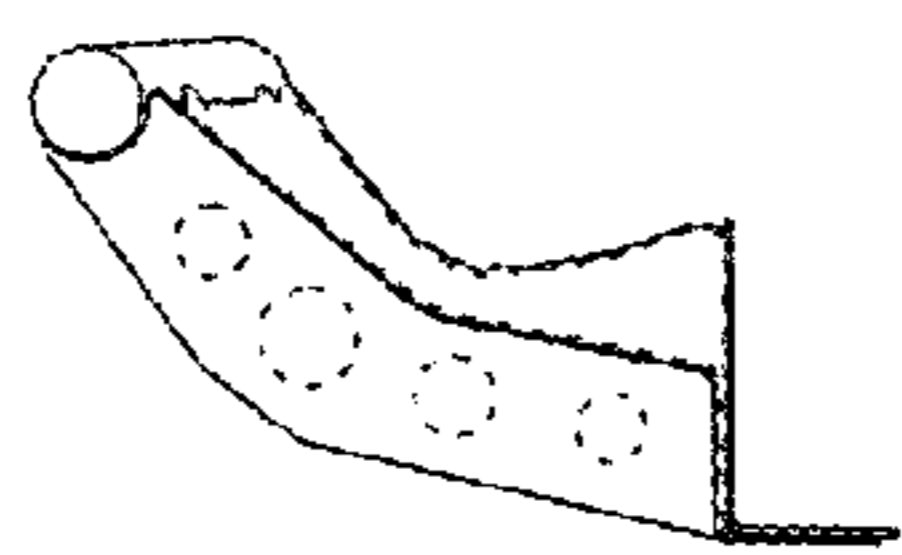


Fig. 4

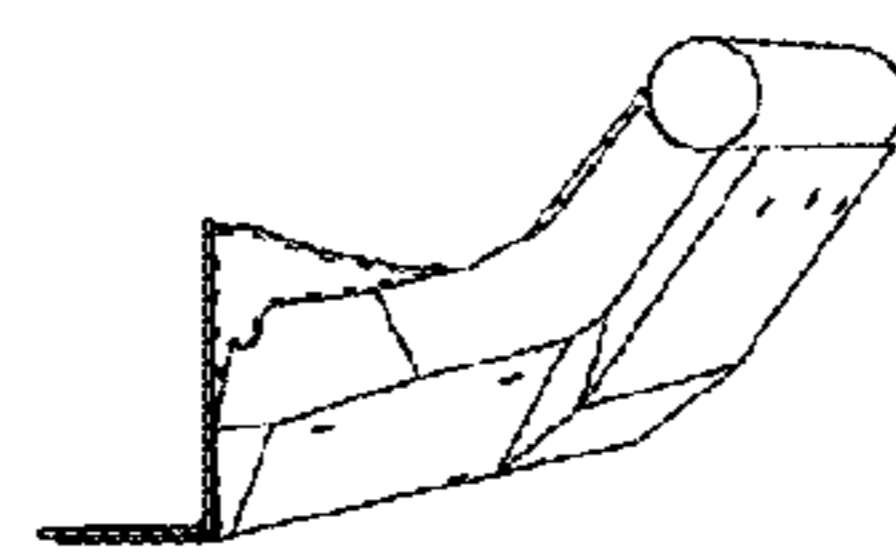


Fig. 5

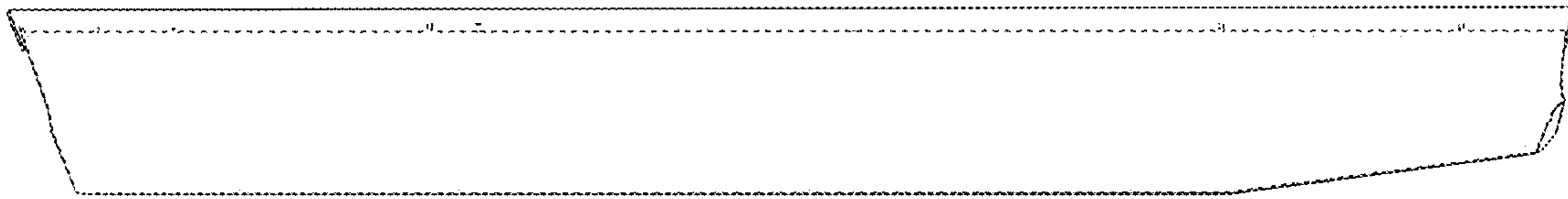


Fig. 6

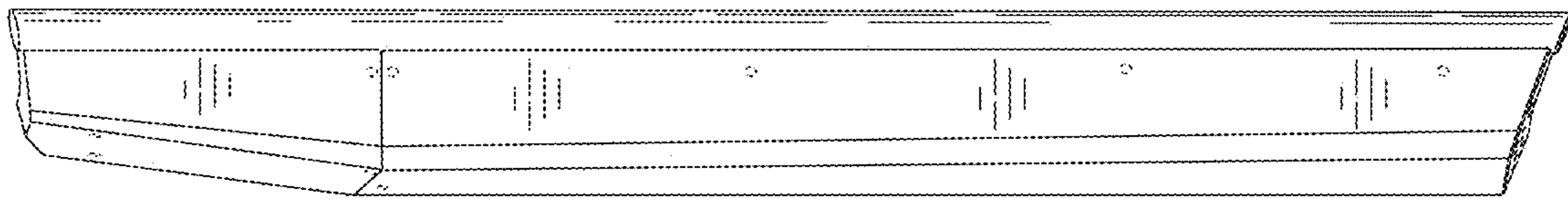


Fig. 7

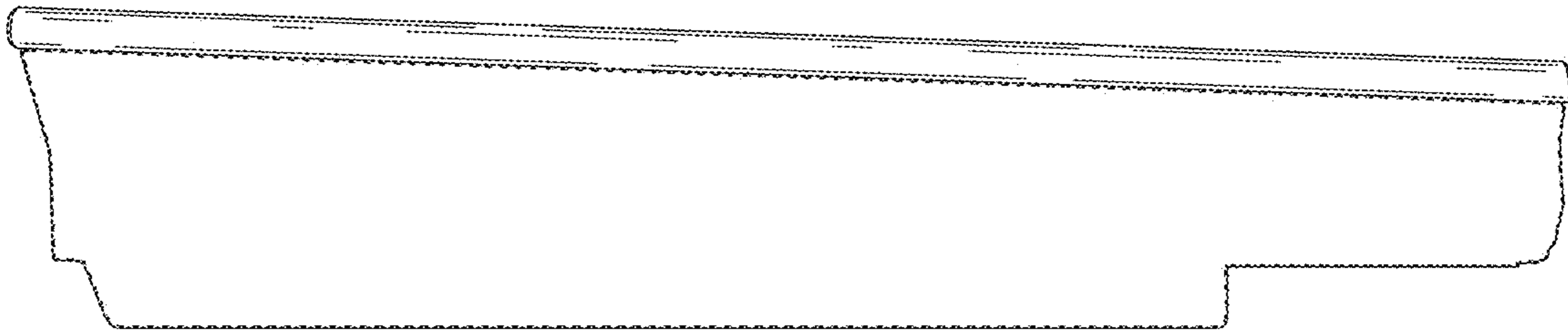


Fig. 8

