



US00D883163S

(12) **United States Design Patent**
McMath

(10) **Patent No.:** **US D883,163 S**

(45) **Date of Patent:** **** May 5, 2020**

(54) **PAIR OF FRONT DOORS**

D851,004 S * 6/2019 Jackson D12/196

(71) Applicant: **Robert Roy McMath**, Riverside, CA
(US)

* cited by examiner

(72) Inventor: **Robert Roy McMath**, Riverside, CA
(US)

Primary Examiner — George D. Kirschbaum

Assistant Examiner — Joseph J Kukella

(**) Term: **15 Years**

(74) *Attorney, Agent, or Firm* — Curtis L. Harrington;
Harrington & Harrington

(21) Appl. No.: **29/677,978**

(57) **CLAIM**

The ornamental design for a pair of front doors, as shown and described.

(22) Filed: **Jan. 24, 2019**

(51) **LOC (12) Cl.** **12-16**

(52) **U.S. Cl.**

USPC **D12/196**

(58) **Field of Classification Search**

USPC D12/90, 91, 92, 169, 190, 195, 196

CPC B60J 5/00; B60J 5/02; B60J 5/04; B60J
5/10; B62D 25/02; B62D 25/04

See application file for complete search history.

DESCRIPTION

FIG. 1 is a left side elevation view of a pair of front doors, in use condition showing my new design; FIG. 2 is an enlarged left side elevation view; FIG. 3 is a right side elevation view; FIG. 4 is a rear elevation view thereof; FIG. 5 is a front elevation view thereof; FIG. 6 is a top plan view thereof; and, FIG. 7 is a bottom plan view thereof.

The dash-dash even broken lines illustrate and surround portions of the pair of front doors that form no part of the claimed design. The dash-dot-dot broken lines shown in the drawings illustrate vehicle environmental subject matter which forms no part of the claimed design.

(56) **References Cited**

U.S. PATENT DOCUMENTS

D545,744 S *	7/2007	Turner	D12/196
D659,062 S *	5/2012	Danze	D12/196
D842,183 S *	3/2019	Jackson	D12/195
D846,466 S *	4/2019	Higgs	D12/196
D846,467 S *	4/2019	Higgs	D12/196

1 Claim, 3 Drawing Sheets

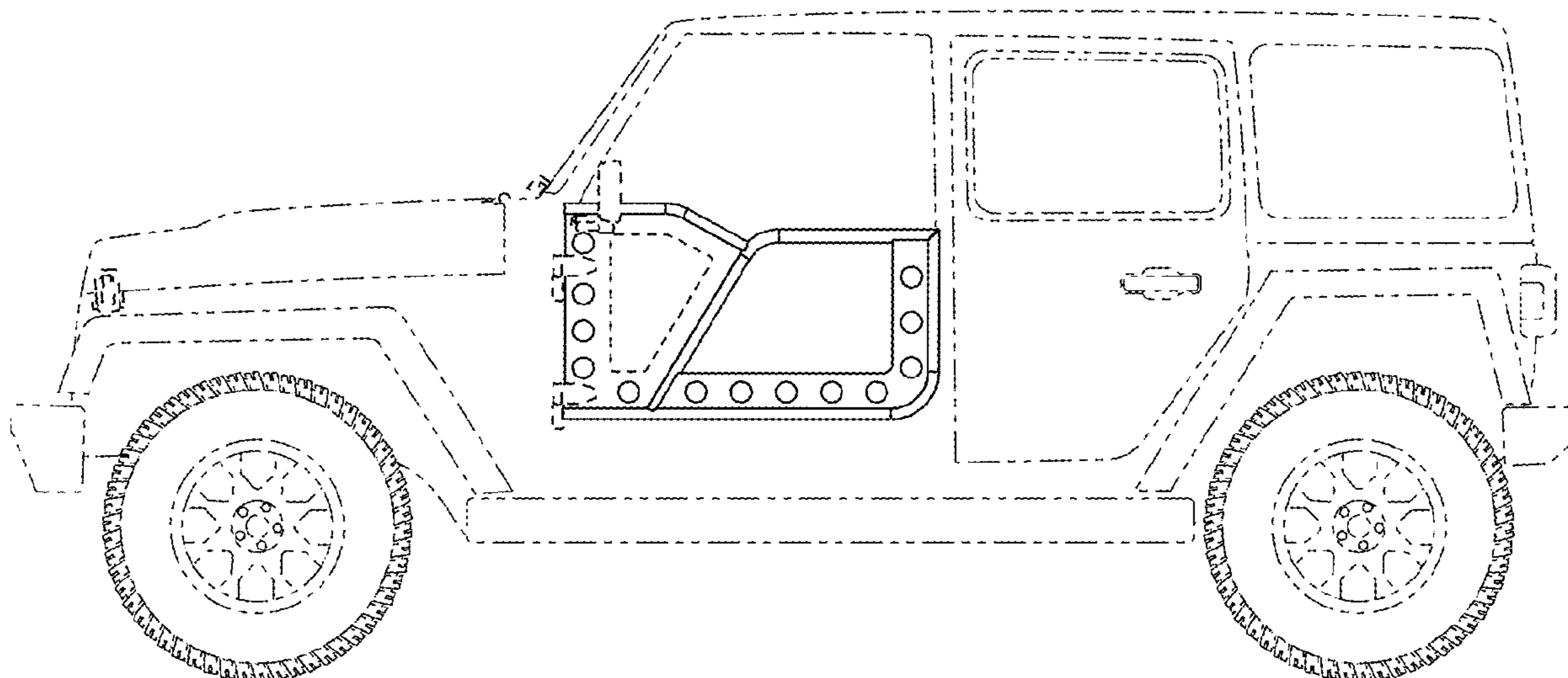


Fig. 1

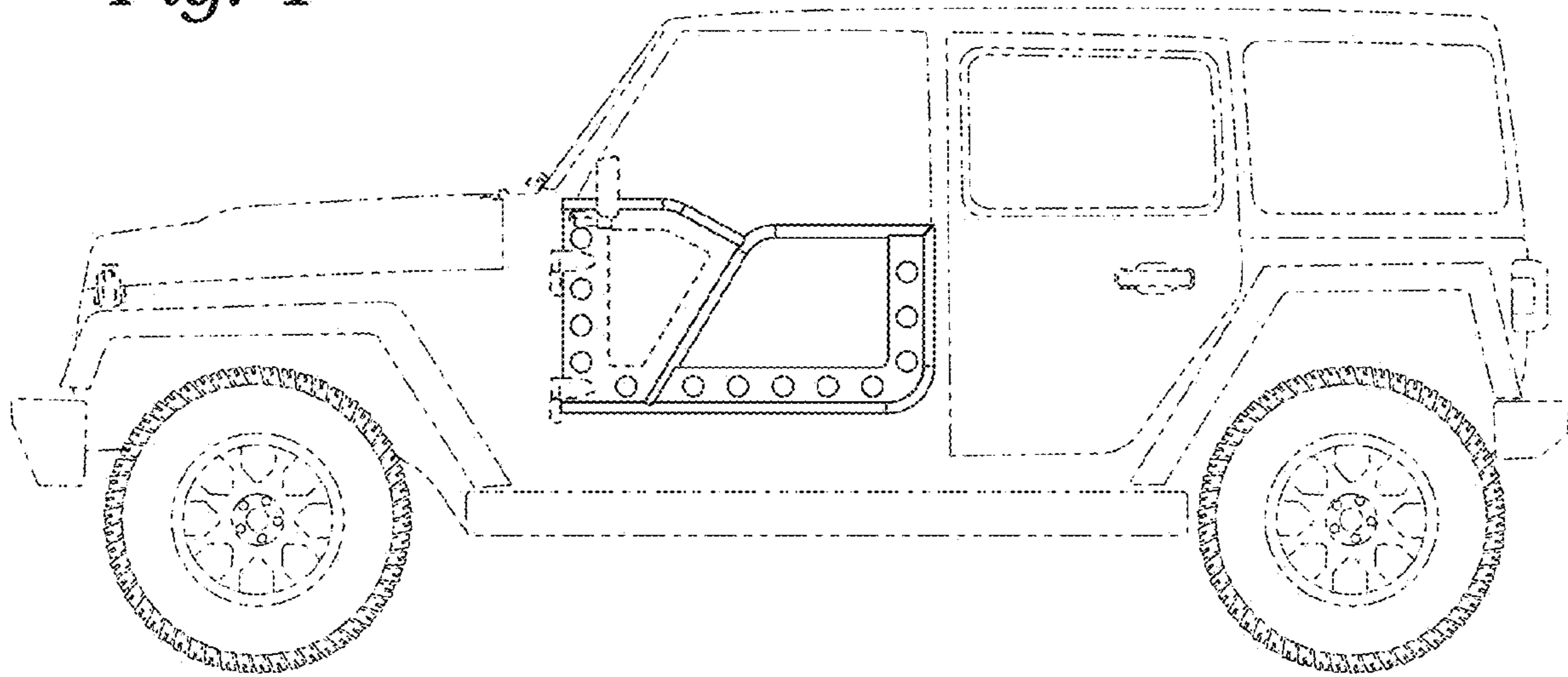


Fig. 2

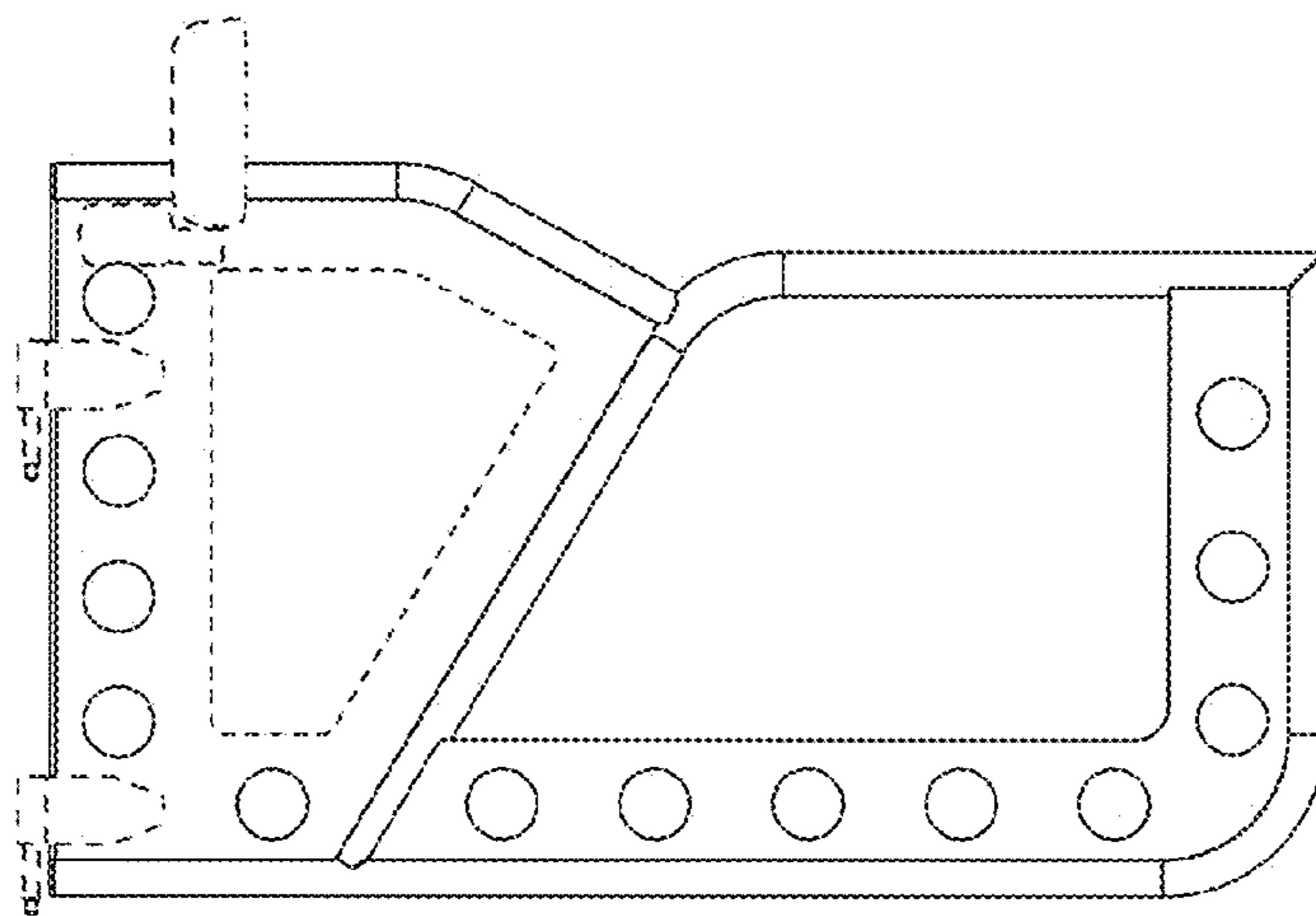


Fig. 3

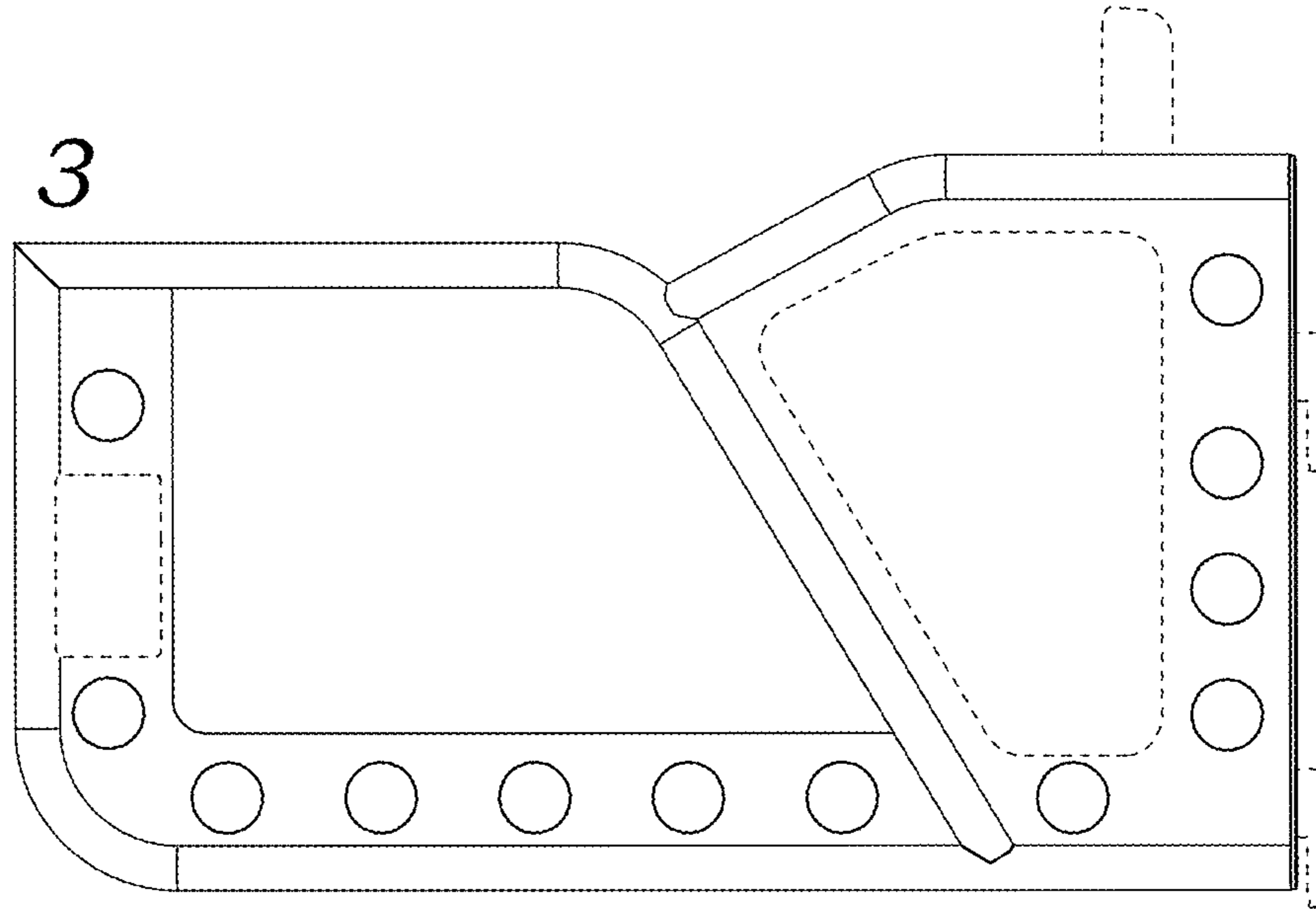


Fig. 4

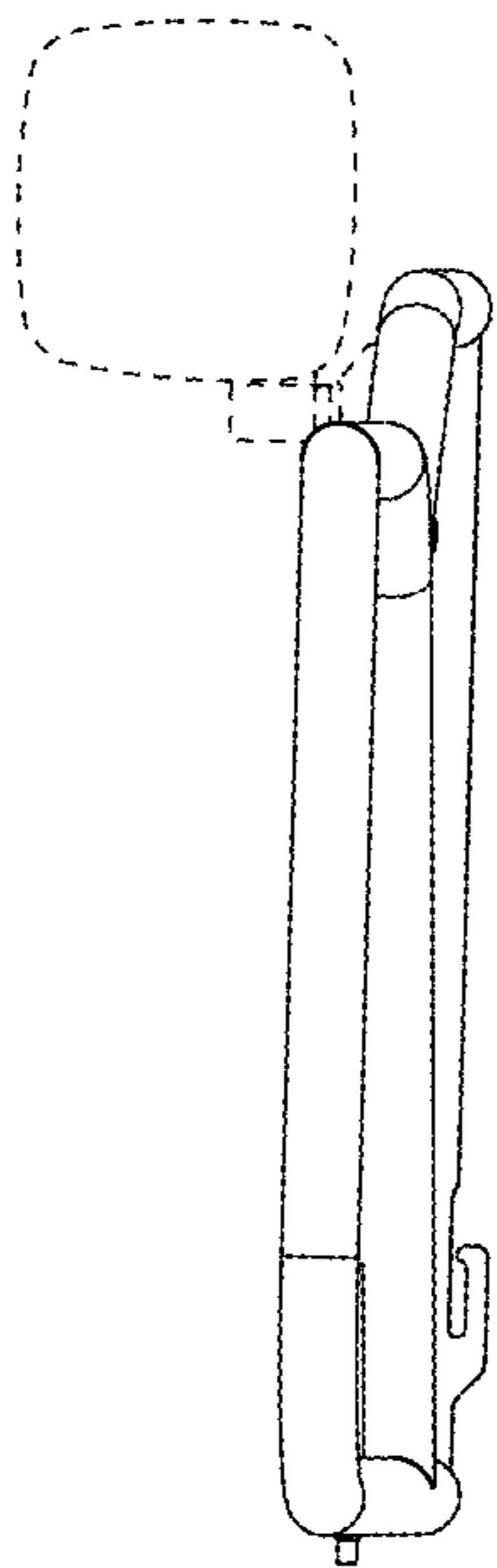


Fig. 5

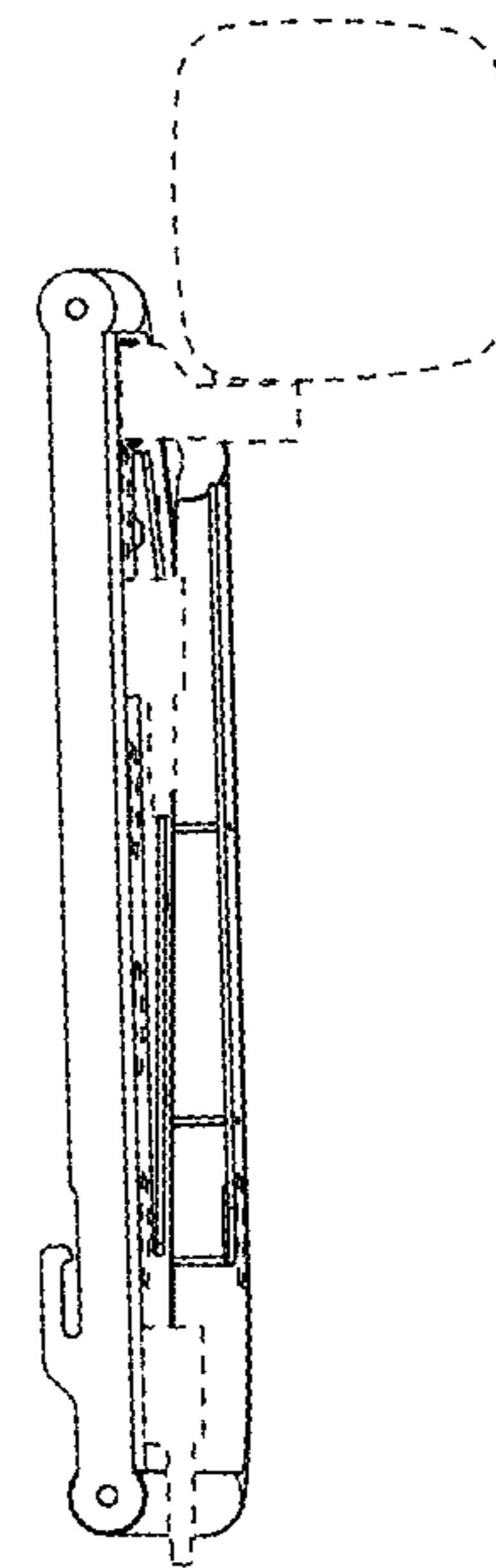


Fig. 6

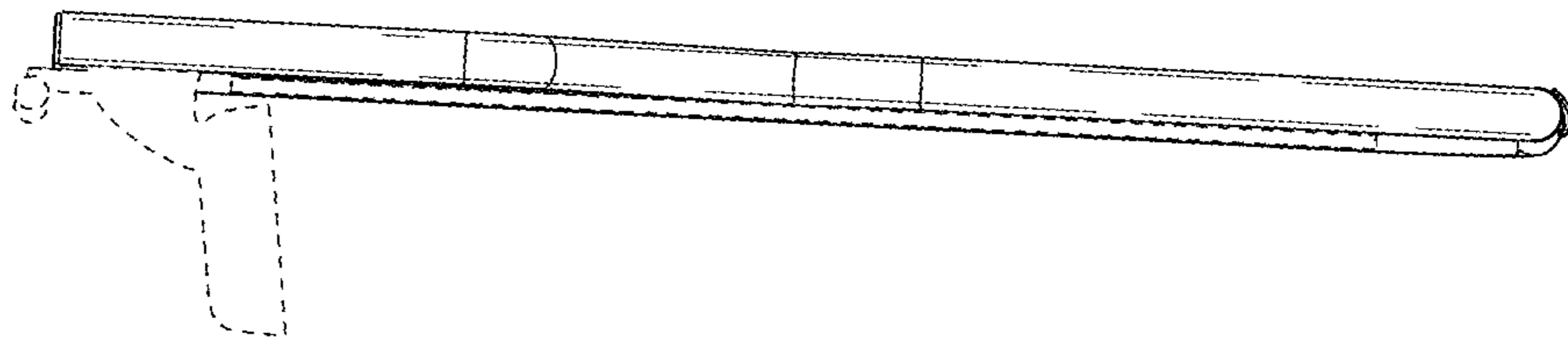


Fig. 7

