



US00D883161S

(12) **United States Design Patent**
Pugliesi et al.

(10) **Patent No.:** **US D883,161 S**

(45) **Date of Patent:** **** May 5, 2020**

(54) **PASSENGER SERVICE UNIT**

(71) Applicant: **EMBRAER S.A.**, São José dos Campos-SP (BR)

(72) Inventors: **Fernanda Loth Pugliesi**, São José dos Campos (BR); **Bruno Kimura Castanha**, São José dos Campos (BR); **Jay Beever**, São José dos Campos (BR); **Joshua Rea**, São José dos Campos (BR); **Rainer Zierer**, São José dos Campos (BR)

(73) Assignee: **EMBRAER S.A.**, São José dos Campos-SP (BR)

(**) Term: **15 Years**

(21) Appl. No.: **29/619,538**

(22) Filed: **Sep. 29, 2017**

(51) **LOC (12) Cl.** **12-08**

(52) **U.S. Cl.**
USPC **D12/195**

(58) **Field of Classification Search**
USPC D12/195, 193, 414, 190, 196; D15/17, D15/28; D10/46, 98, 102-103; D8/302-303
CPC B60J 5/04
See application file for complete search history.

(56) **References Cited**

U.S. PATENT DOCUMENTS

D743,311 S * 11/2015 Weiner D12/195
D758,268 S * 6/2016 Watkins D12/195

D758,939 S * 6/2016 Barnes D12/195
D794,523 S * 8/2017 Pepin D12/195
D807,265 S * 1/2018 McNutt D12/190
D811,970 S * 3/2018 Lokers D12/195
D811,971 S * 3/2018 Lokers D12/195
D818,921 S * 5/2018 Pelletier D12/195
D826,124 S * 8/2018 Unveren D12/195

* cited by examiner

Primary Examiner — Katrina A Betton

(74) *Attorney, Agent, or Firm* — Nixon & Vanderhye PC

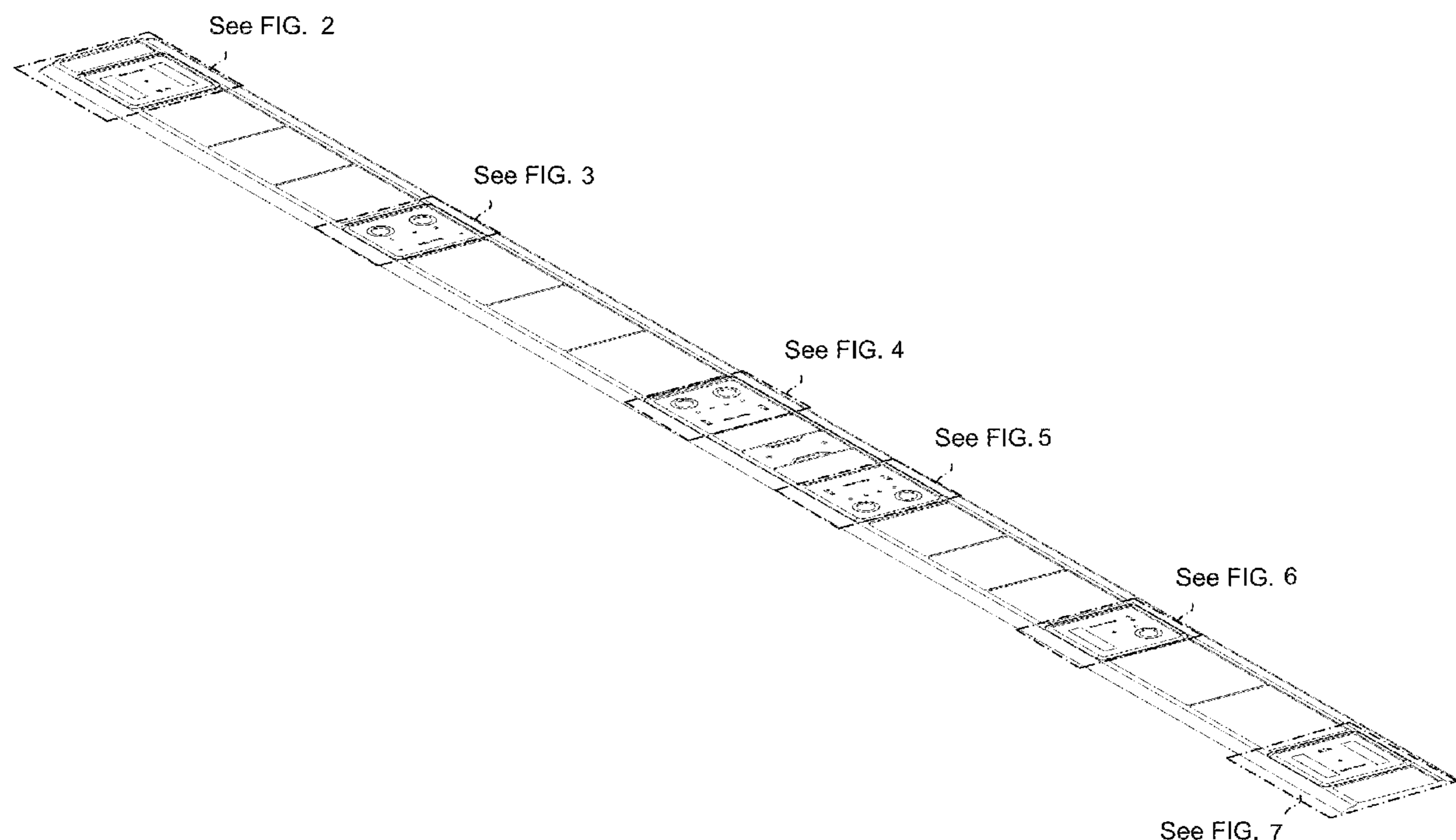
(57) **CLAIM**

The ornamental design for a passenger service unit, as shown and described.

DESCRIPTION

FIG. 1 is a perspective view showing our new and original design for a passenger service unit, FIGS. 2 through 7 are respective enlarged detail views of elements identified in FIG. 1; FIG. 8 is a left end elevation view thereof; FIG. 9 is a right end elevation view thereof; FIG. 10 is a left side elevation view thereof; FIG. 11 is a right side elevation view thereof; FIG. 12 is a top plan view thereof; FIG. 13 is a bottom plan view thereof; and, FIGS. 14 through 19 are respective enlarged detail views of elements identified in FIG. 13. In the drawings, the broken lines depict portions of the article that form no part of the claimed design.

1 Claim, 15 Drawing Sheets



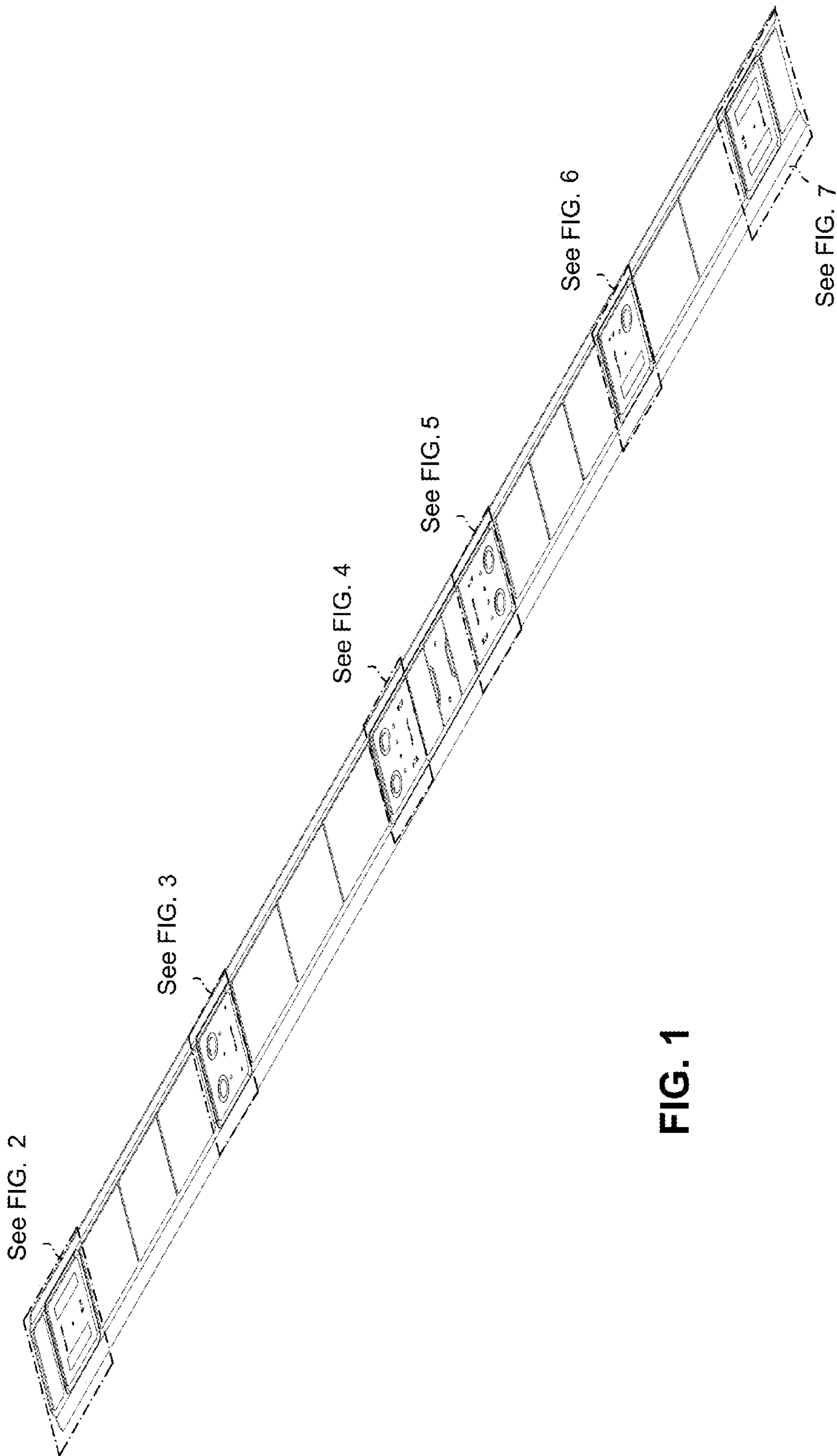


FIG. 1

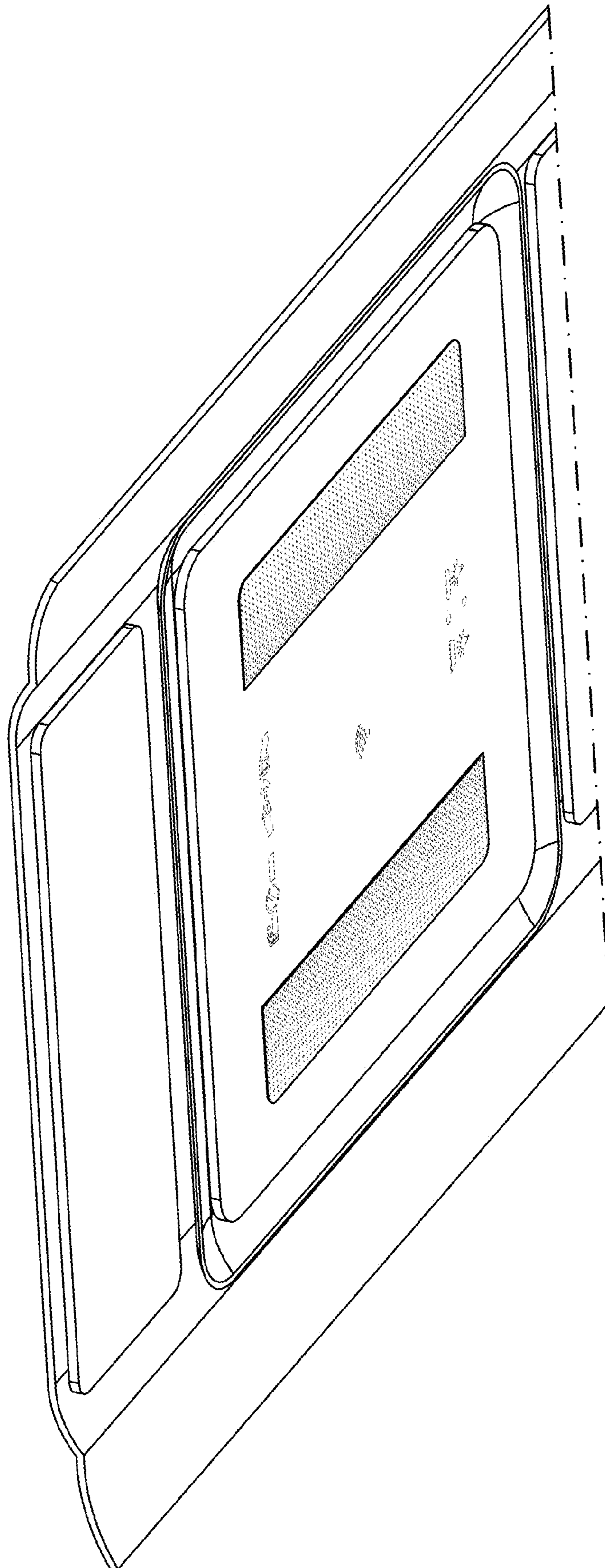


FIG. 2

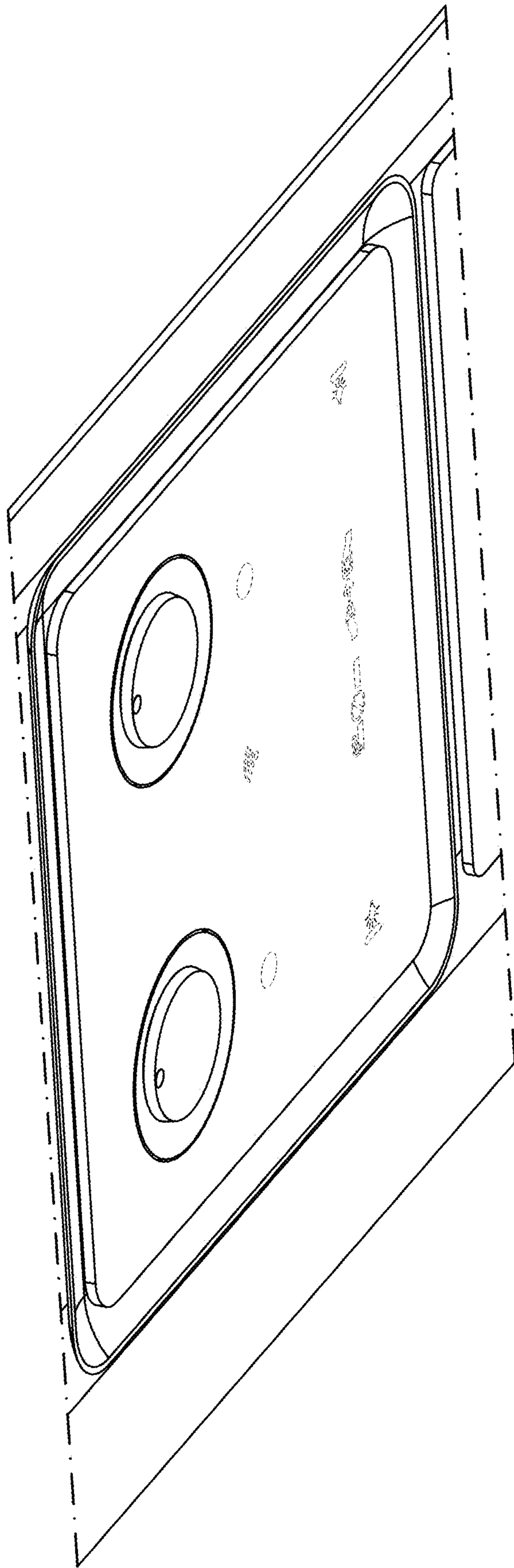


FIG. 3

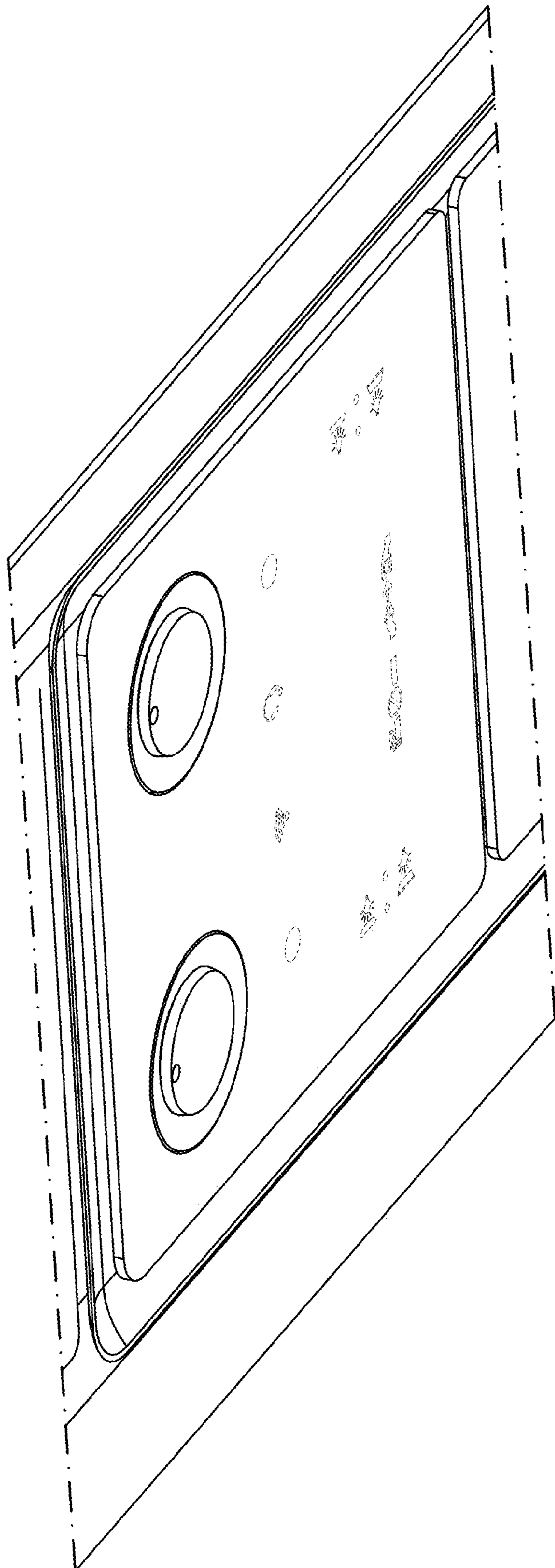


FIG. 4

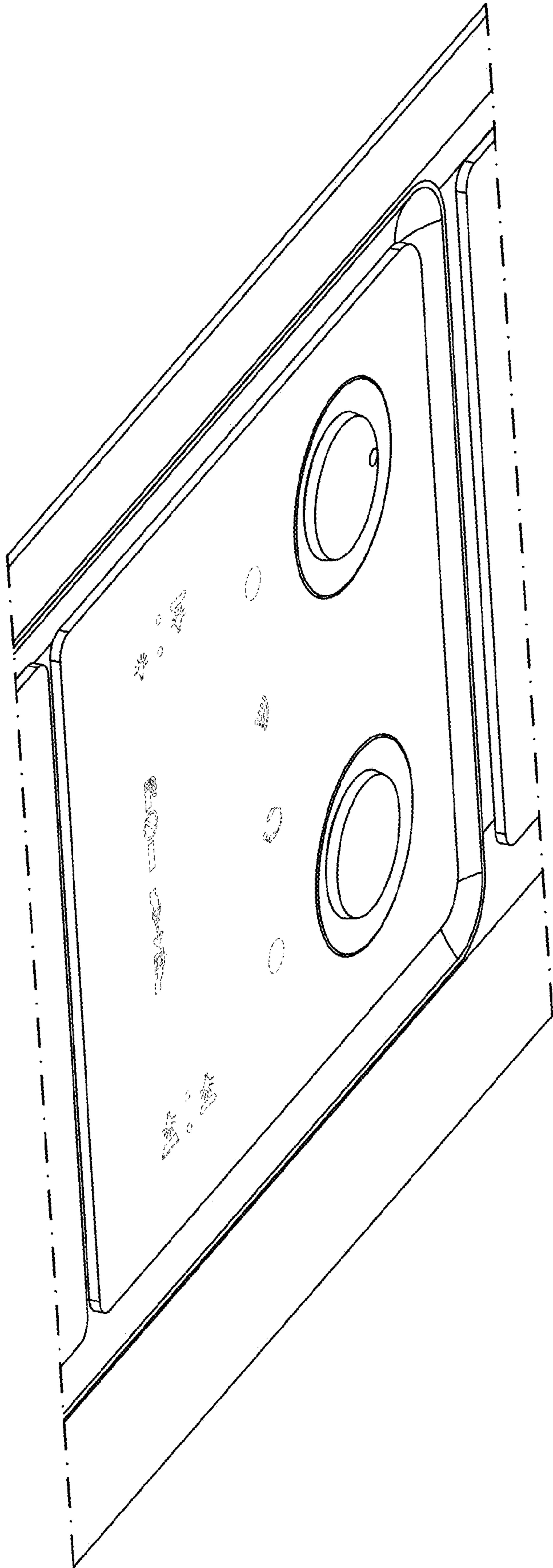


FIG. 5

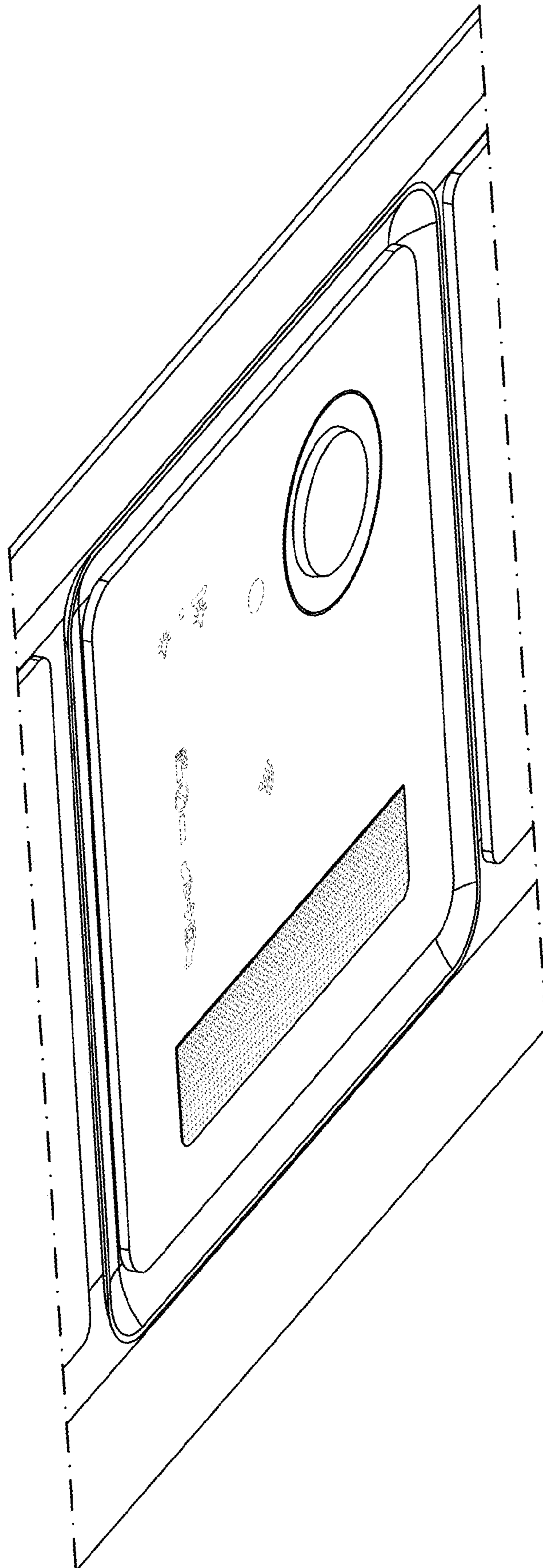


FIG. 6

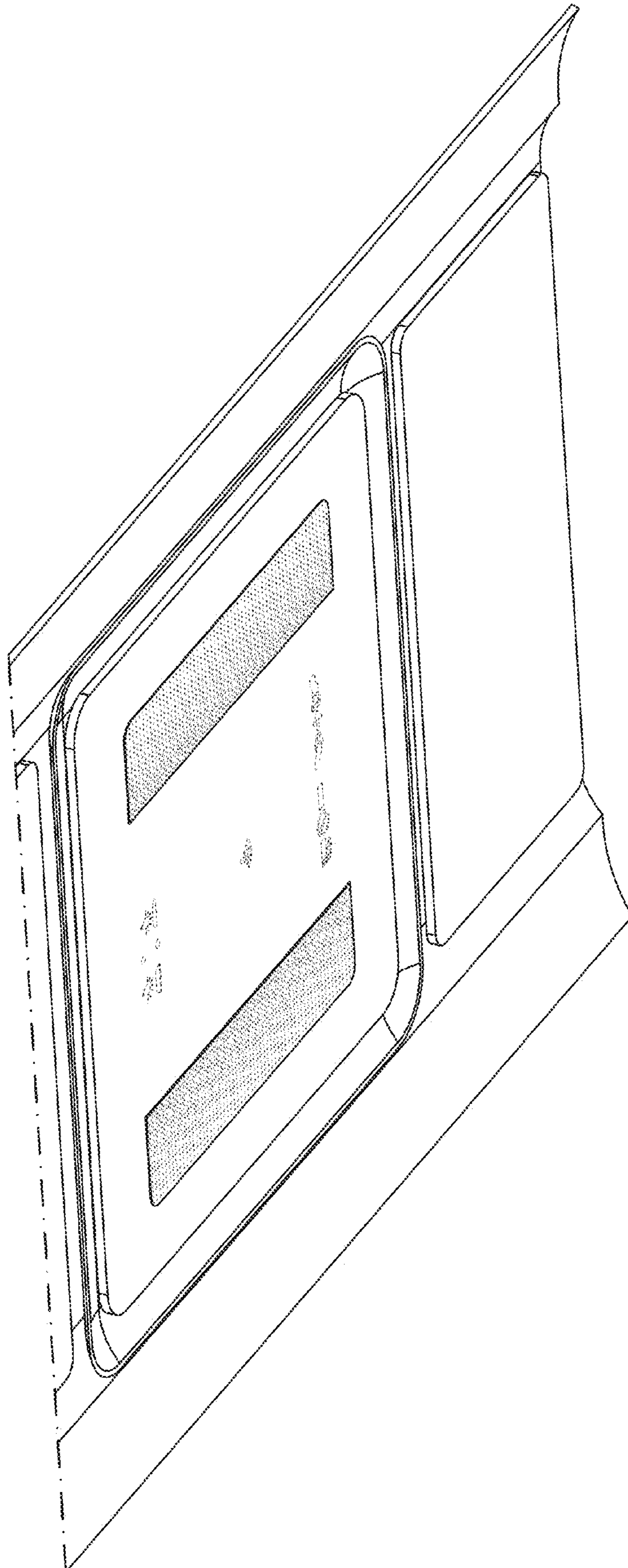


FIG. 7

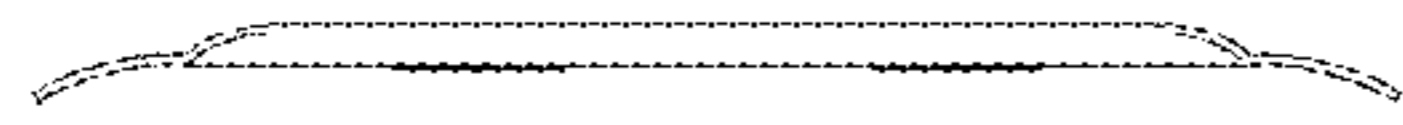


FIG. 8

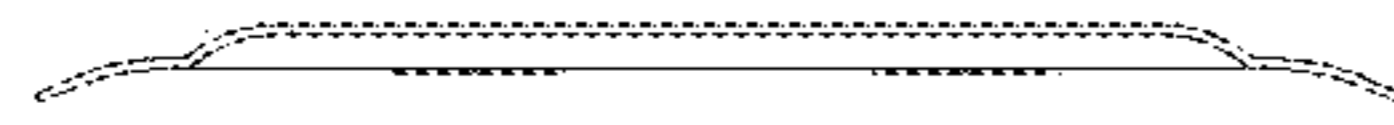


FIG. 9

FIG. 10

FIG. 11

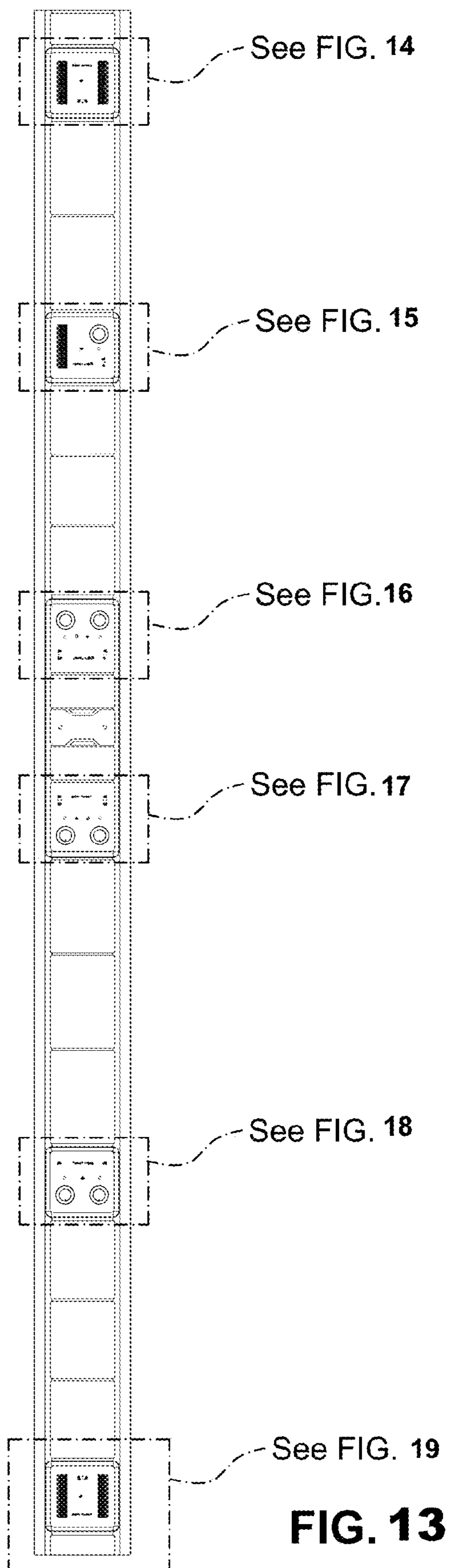
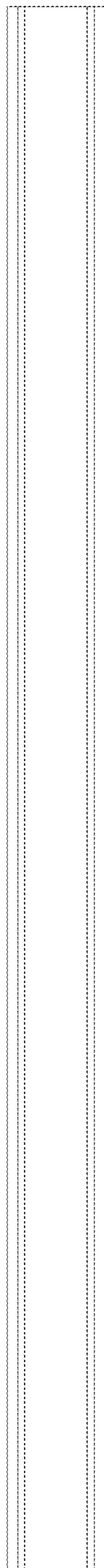


FIG. 12

FIG. 13

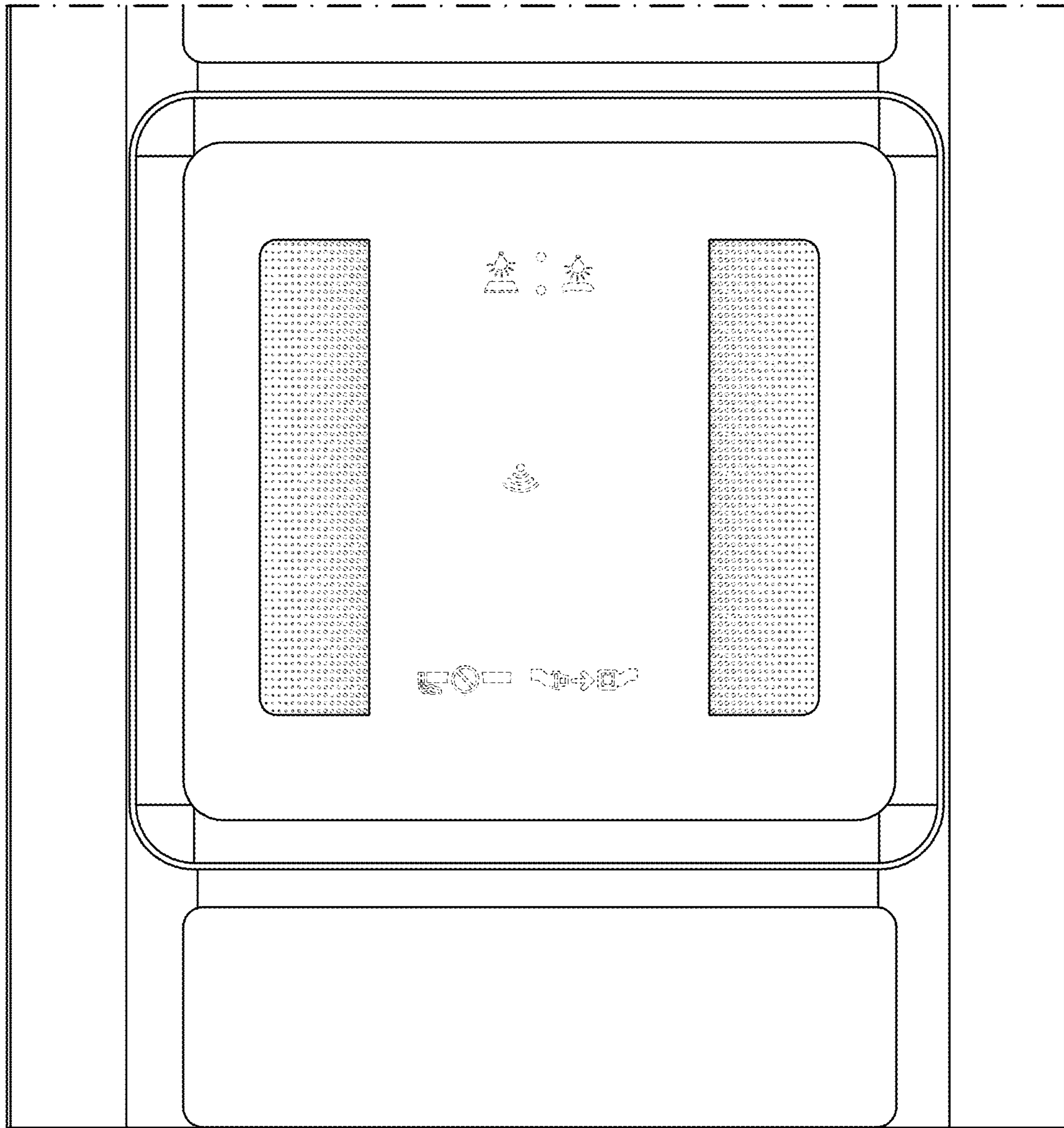


FIG. 14

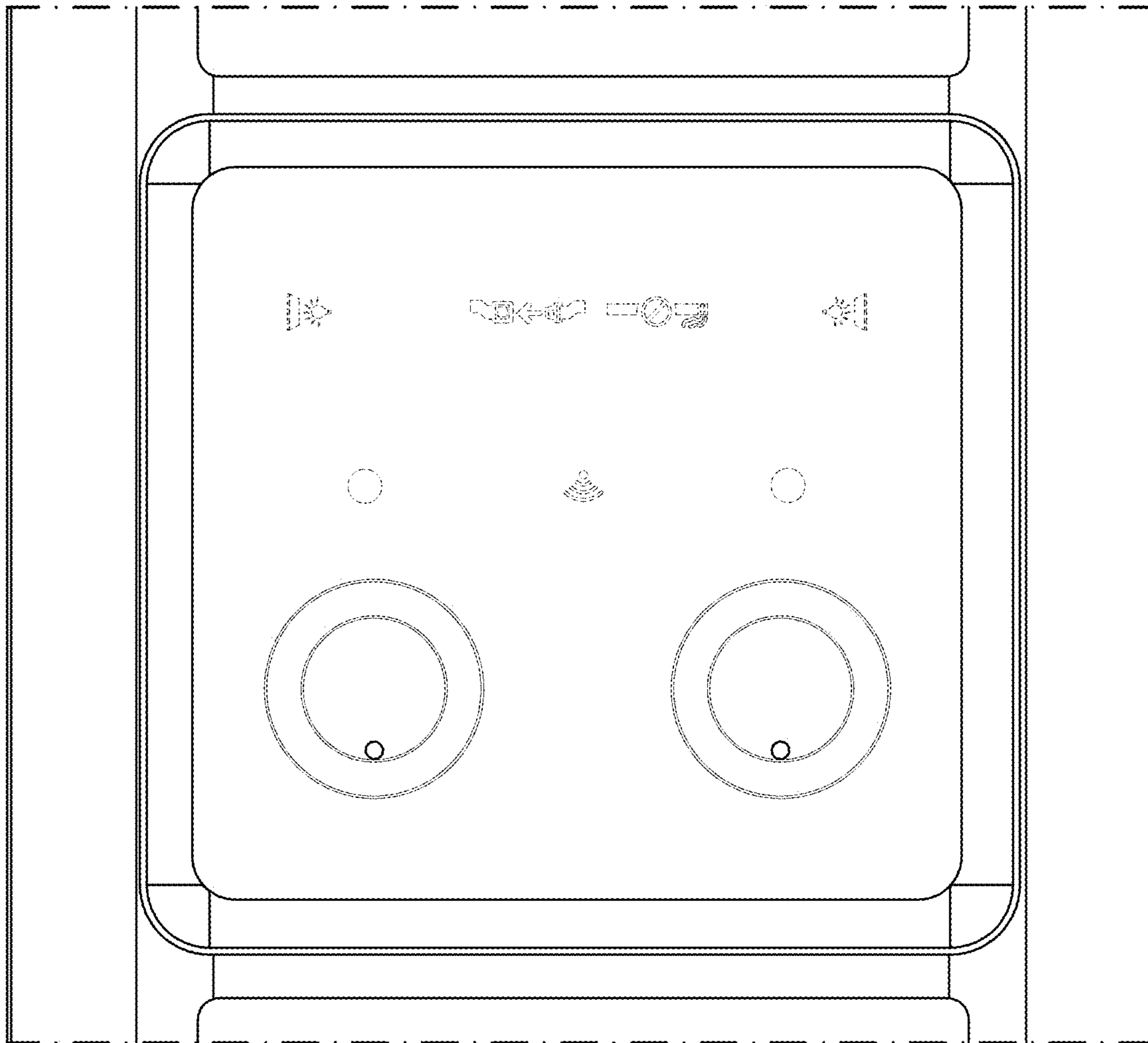


FIG. 15

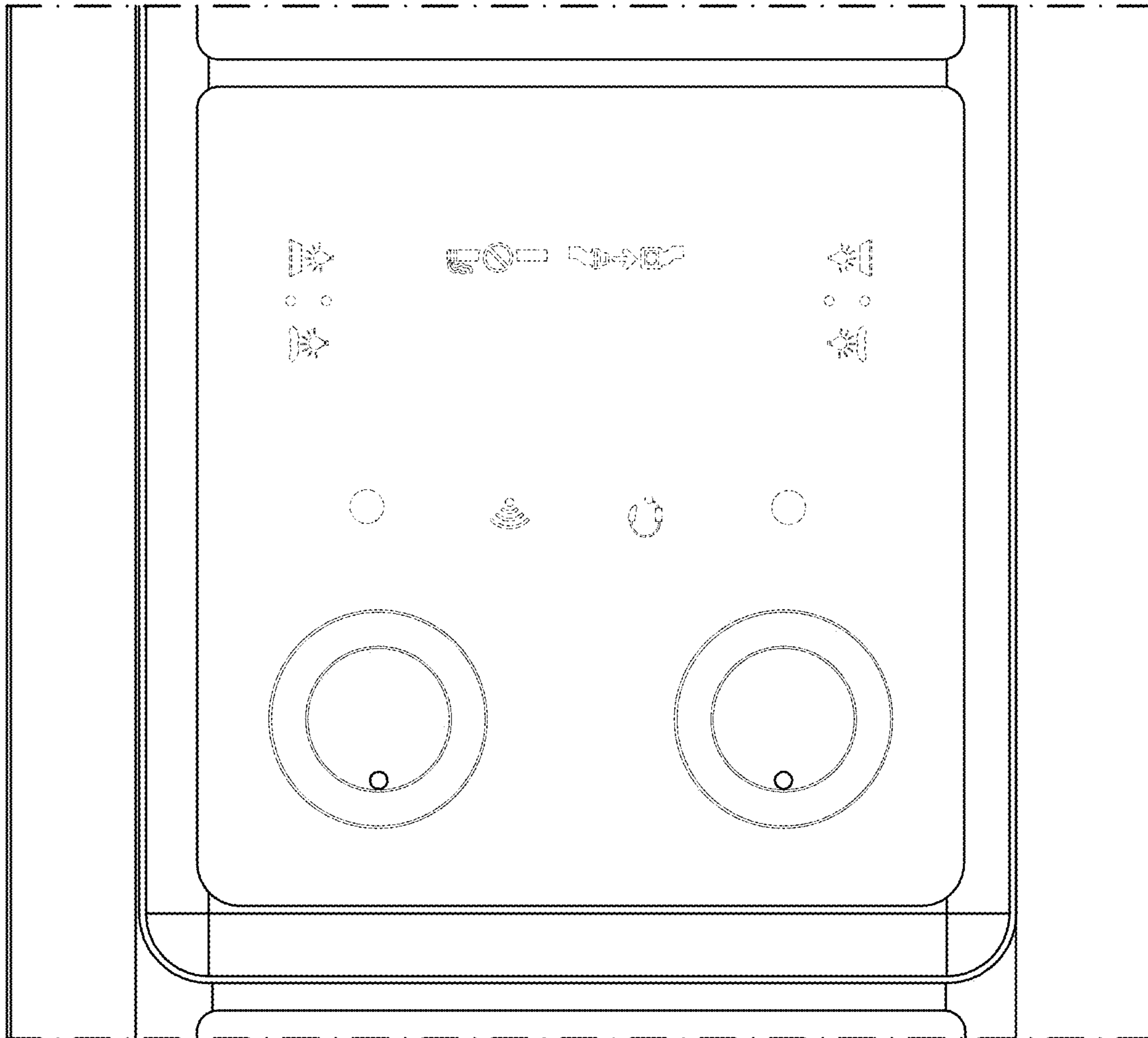


FIG. 16

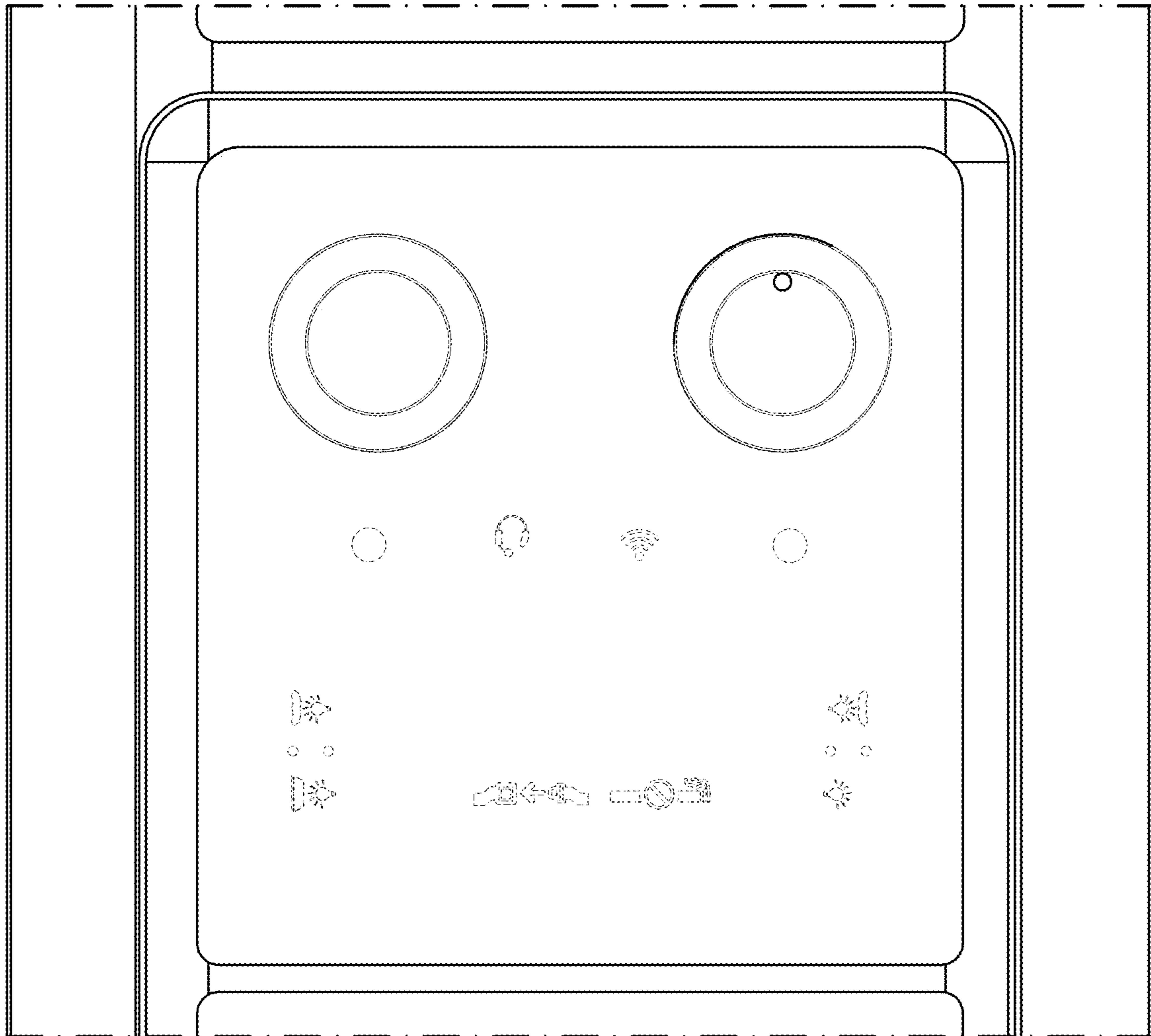


FIG. 17

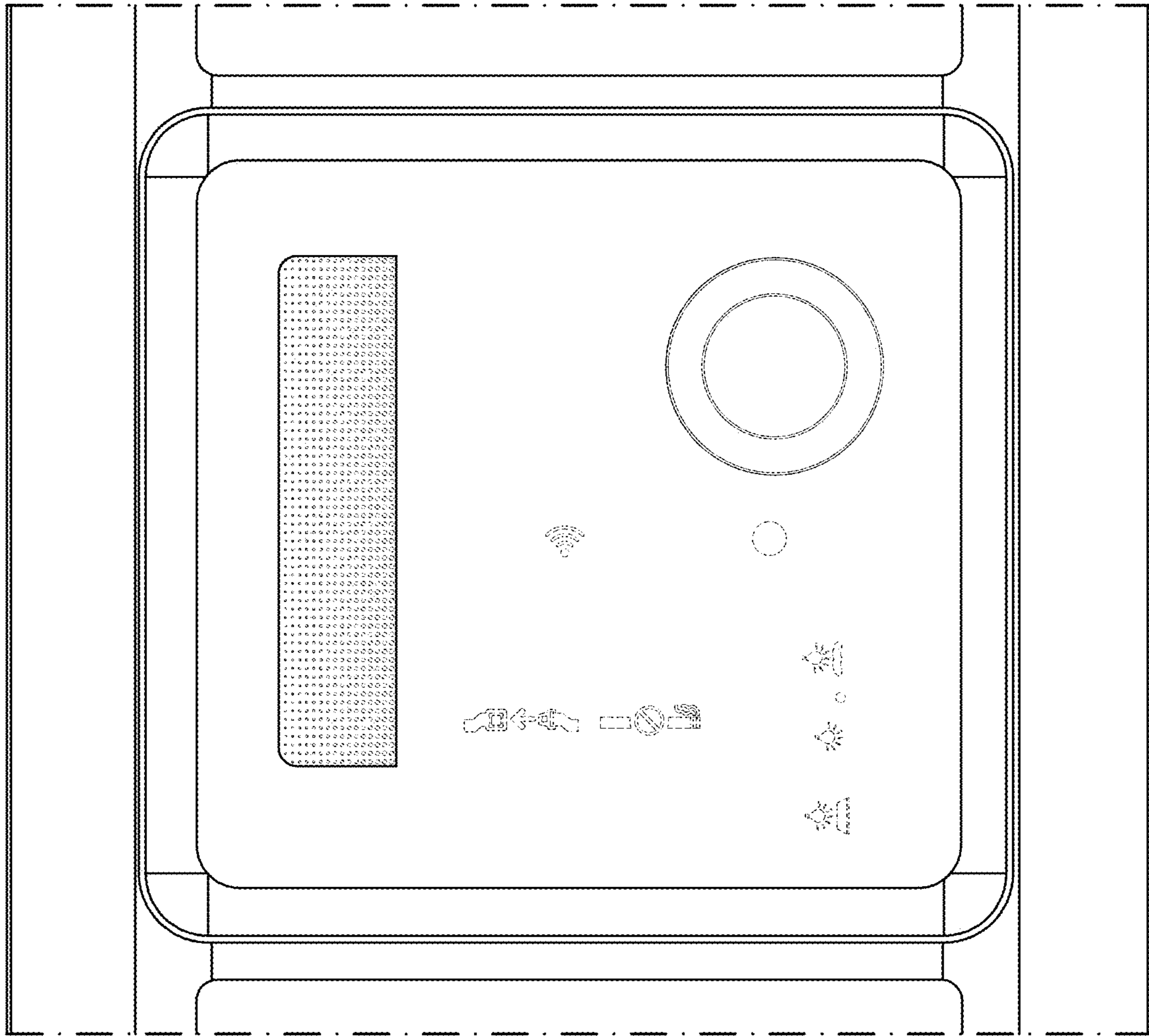


FIG. 18

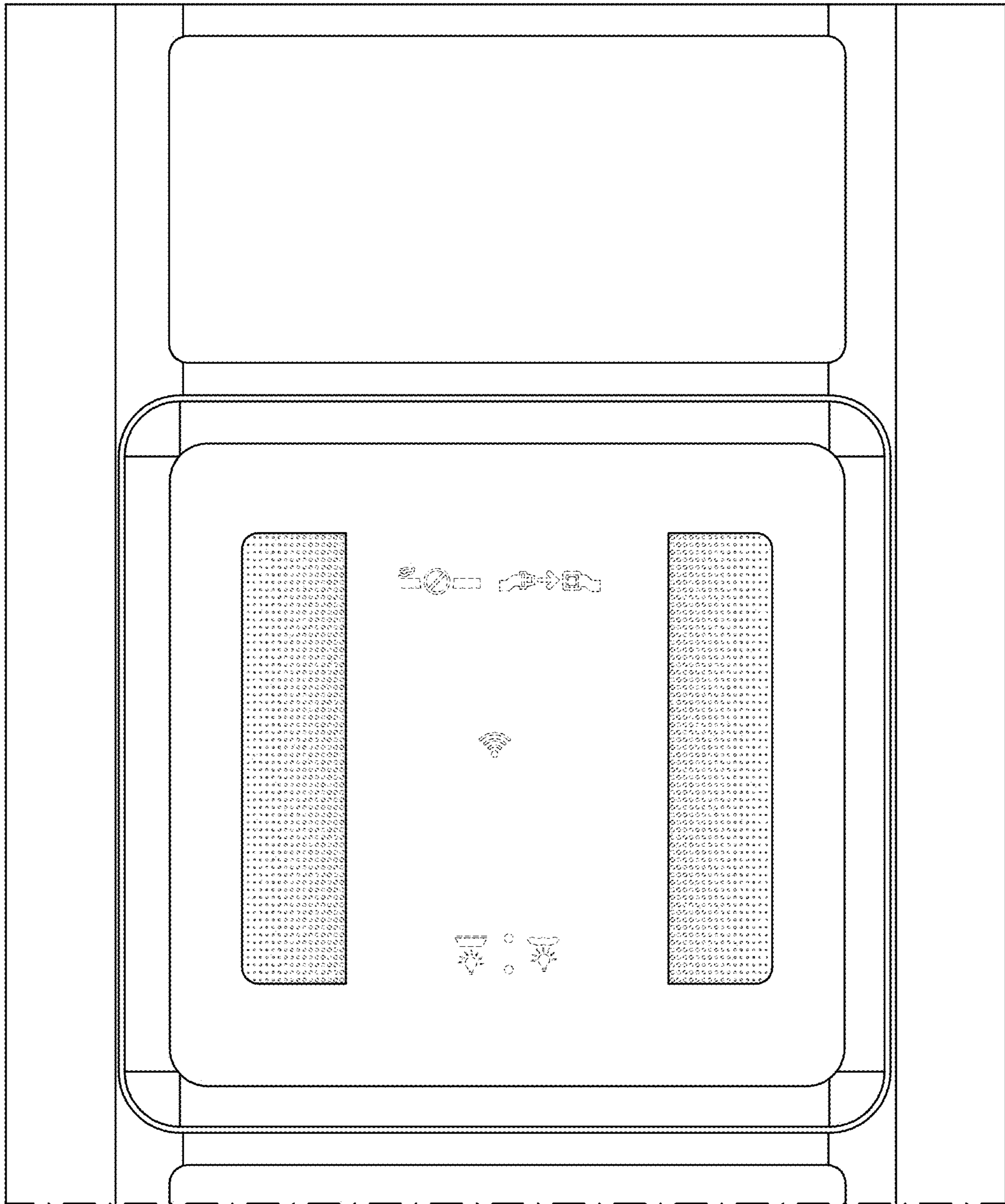


FIG. 19