



US00D883154S

(12) **United States Design Patent** (10) **Patent No.:** **US D883,154 S**  
**Scheinhütte et al.** (45) **Date of Patent:** **\*\* May 5, 2020**

(54) **SPOILER FOR MOTOR VEHICLE**

(71) Applicant: **Dr. Ing. h.c. F. Porsche**  
**Aktiengesellschaft, Stuttgart (DE)**

(72) Inventors: **Ingo Scheinhütte, Eberdingen (DE);**  
**Woosung Chung, Leonberg (DE)**

(73) Assignee: **Dr. Ing. h.c. F. Porsche**  
**Aktiengesellschaft (DE)**

(\*\*) Term: **15 Years**

(21) Appl. No.: **29/613,579**

(22) Filed: **Aug. 11, 2017**

(30) **Foreign Application Priority Data**

Feb. 14, 2017 (DE) ..... 40 2017 100 153

(51) **LOC (12) Cl.** ..... **12-16**

(52) **U.S. Cl.**  
USPC ..... **D12/181**

(58) **Field of Classification Search**  
USPC ..... D12/181, 96, 99, 400, 182, 183, 184,  
D12/185, 190, 195, 192, 191, 91, 92, 88  
CPC .... B62D 35/007; B62D 35/02; B62D 35/005;  
B60J 1/20; B29C 65/06  
See application file for complete search history.

(56) **References Cited**

**U.S. PATENT DOCUMENTS**

D514,486 S *	2/2006	Preuninger	.....	D12/181
D547,707 S *	7/2007	Kulla	.....	D12/181
D559,750 S *	1/2008	Kulla	.....	D12/181
D607,386 S *	1/2010	Kulla	.....	D12/181
D609,617 S *	2/2010	Larson	.....	D12/181
D614,098 S *	4/2010	Larson	.....	D12/181
D656,439 S	3/2012	Saracoglu		
D669,005 S *	10/2012	Varga	.....	D12/181
D683,677 S	6/2013	Varga		
D699,646 S	2/2014	Saracoglu		

D715,710 S *	10/2014	Beaven	.....	D12/181
D716,205 S *	10/2014	Callum	.....	D12/181
D722,929 S	2/2015	Hatter		
D725,559 S	3/2015	Robinson		
D727,227 S	4/2015	Scheinhütte		
D727,809 S	4/2015	Scheinhütte		
D753,023 S *	4/2016	Villevoye	.....	D12/88
D754,578 S *	4/2016	Buck	.....	D12/181
D788,660 S *	6/2017	Buck	.....	D12/181
D801,872 S *	11/2017	Buck	.....	D12/92
D805,436 S *	12/2017	Yamashita	.....	D12/92
D811,300 S *	2/2018	Yamashita	.....	D12/181
D823,727 S *	7/2018	Hauser	.....	D12/92

(Continued)

**OTHER PUBLICATIONS**

Design U.S. Appl. 29/577,943, by Yamashita et al., filed Sep. 16, 2016.

(Continued)

*Primary Examiner* — Susan E Krakower  
*Assistant Examiner* — Jerry Shiuan-Hua Hsu  
(74) *Attorney, Agent, or Firm* — RatnerPrestia

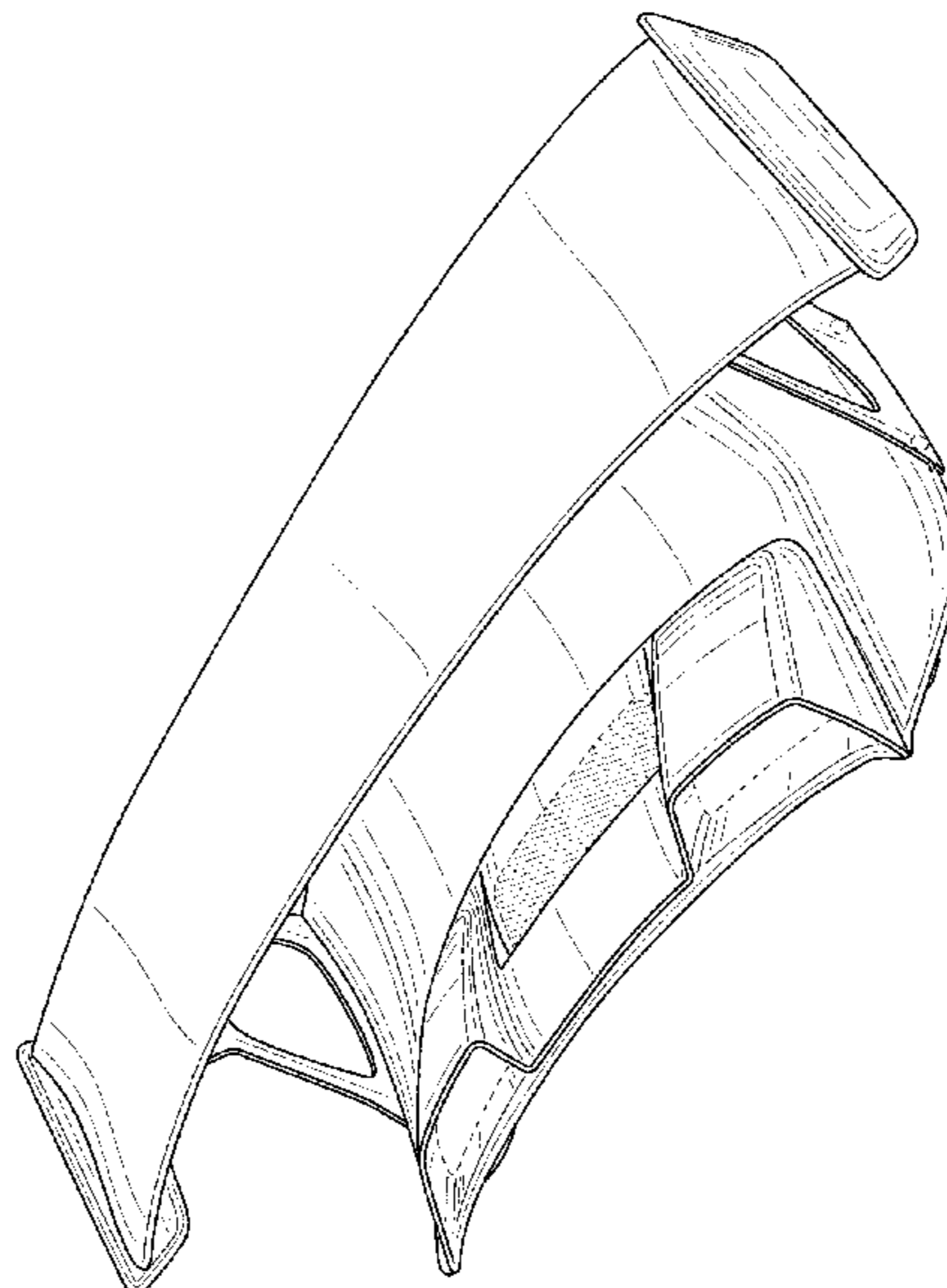
(57) **CLAIM**

The ornamental design for a spoiler for a motor vehicle, as shown and described.

**DESCRIPTION**

FIG. 1 is a front perspective view of a spoiler for a motor vehicle;  
FIG. 2 is a rear perspective view thereof;  
FIG. 3 is a rear elevation view thereof;  
FIG. 4 is a right side elevation view thereof, the left side being a mirror image of FIG. 4;  
FIG. 5 is a front elevation view thereof; and,  
FIG. 6 is a top plan view thereof.  
The broken lines illustrate portions of the spoiler for a motor vehicle and form no part of the claimed design.

**1 Claim, 6 Drawing Sheets**



(56)

**References Cited**

U.S. PATENT DOCUMENTS

D824,288 S \* 7/2018 Hauser ..... D12/92  
2004/0256885 A1 \* 12/2004 Bui ..... B62D 35/007  
296/180.5  
2005/0110301 A1 \* 5/2005 Dringenberg ..... B62D 35/007  
296/180.5  
2014/0346810 A1 \* 11/2014 Wild ..... B62D 35/007  
296/180.5  
2016/0304139 A1 \* 10/2016 Handzel, Jr. .... B62D 35/007  
2018/0118281 A1 \* 5/2018 Lee ..... B62D 35/007

OTHER PUBLICATIONS

Design U.S. Appl. 29/579,465, by Scheinhütte, filed Sep. 30, 2016.  
Design U.S. Appl. No. 29/590,061, by Scheinhütte, filed Jan. 6,  
2017.  
Design U.S. Appl. No. 29/591,933, by Varga, filed Jan. 25, 2017.  
Design U.S. Appl. No. 29/592,897, by Yamashita, filed Feb. 3, 2017.

\* cited by examiner

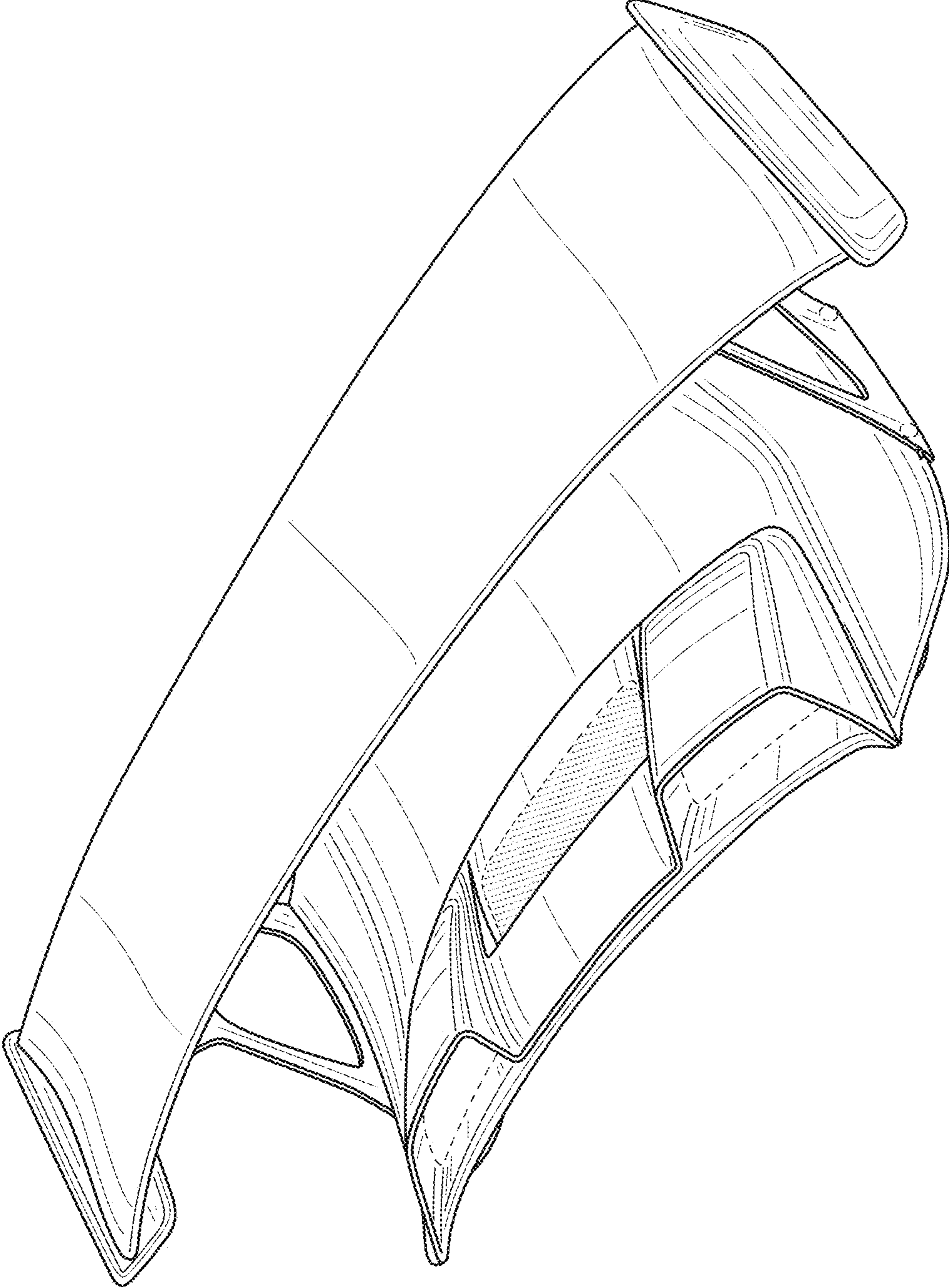


FIG. 1



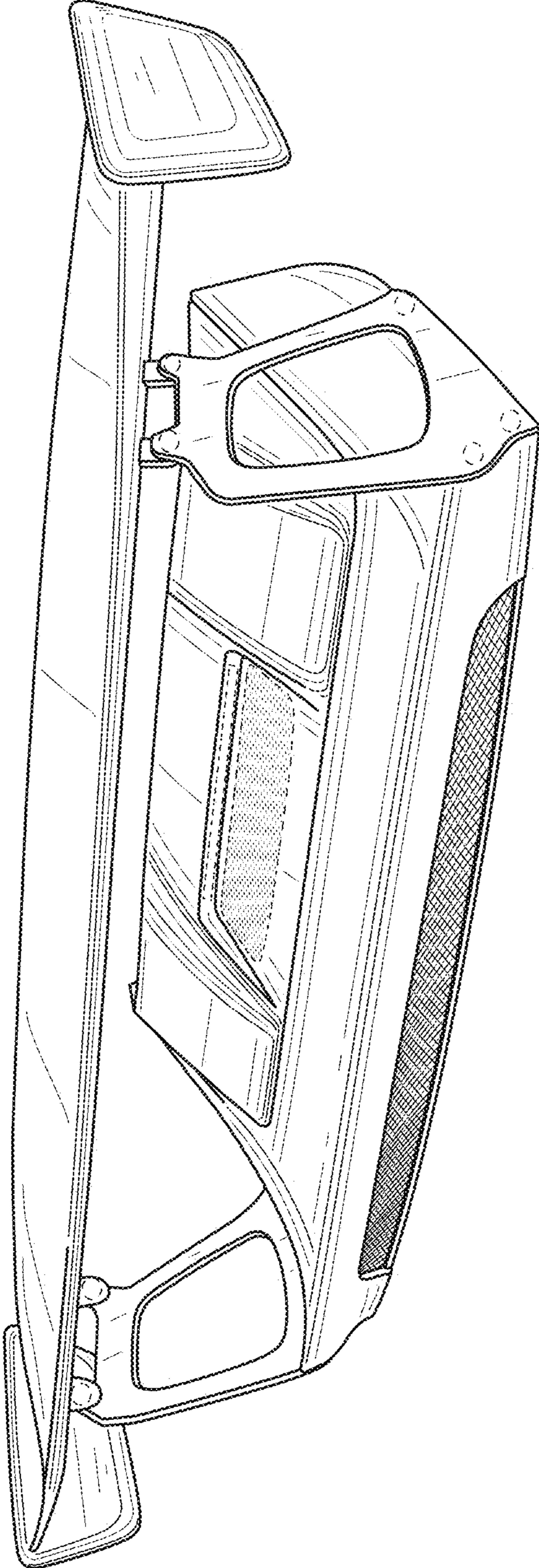


FIG. 2

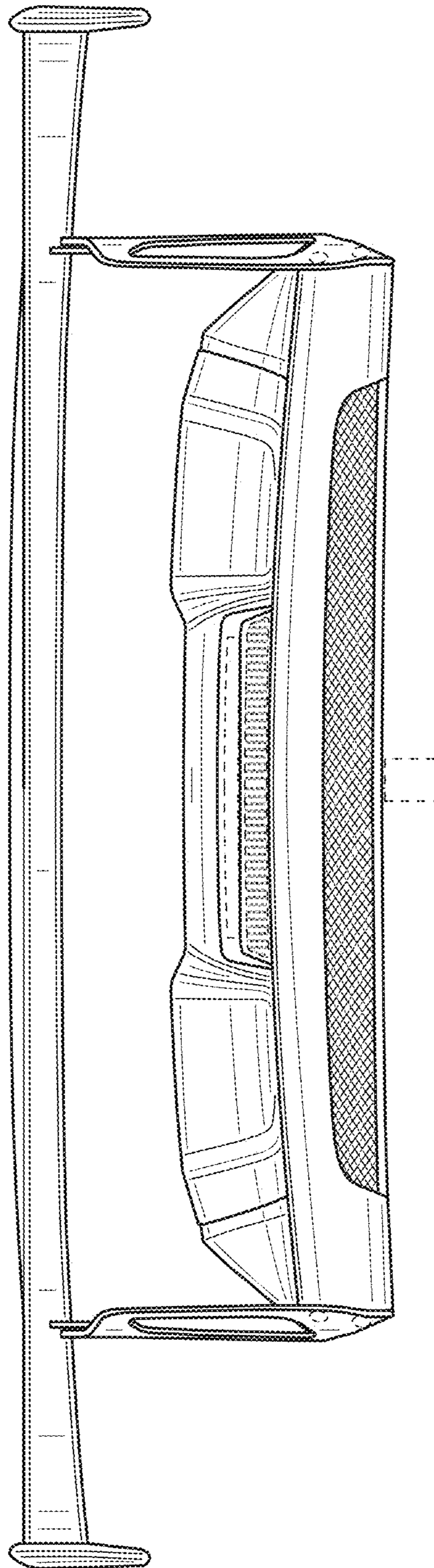


FIG. 3

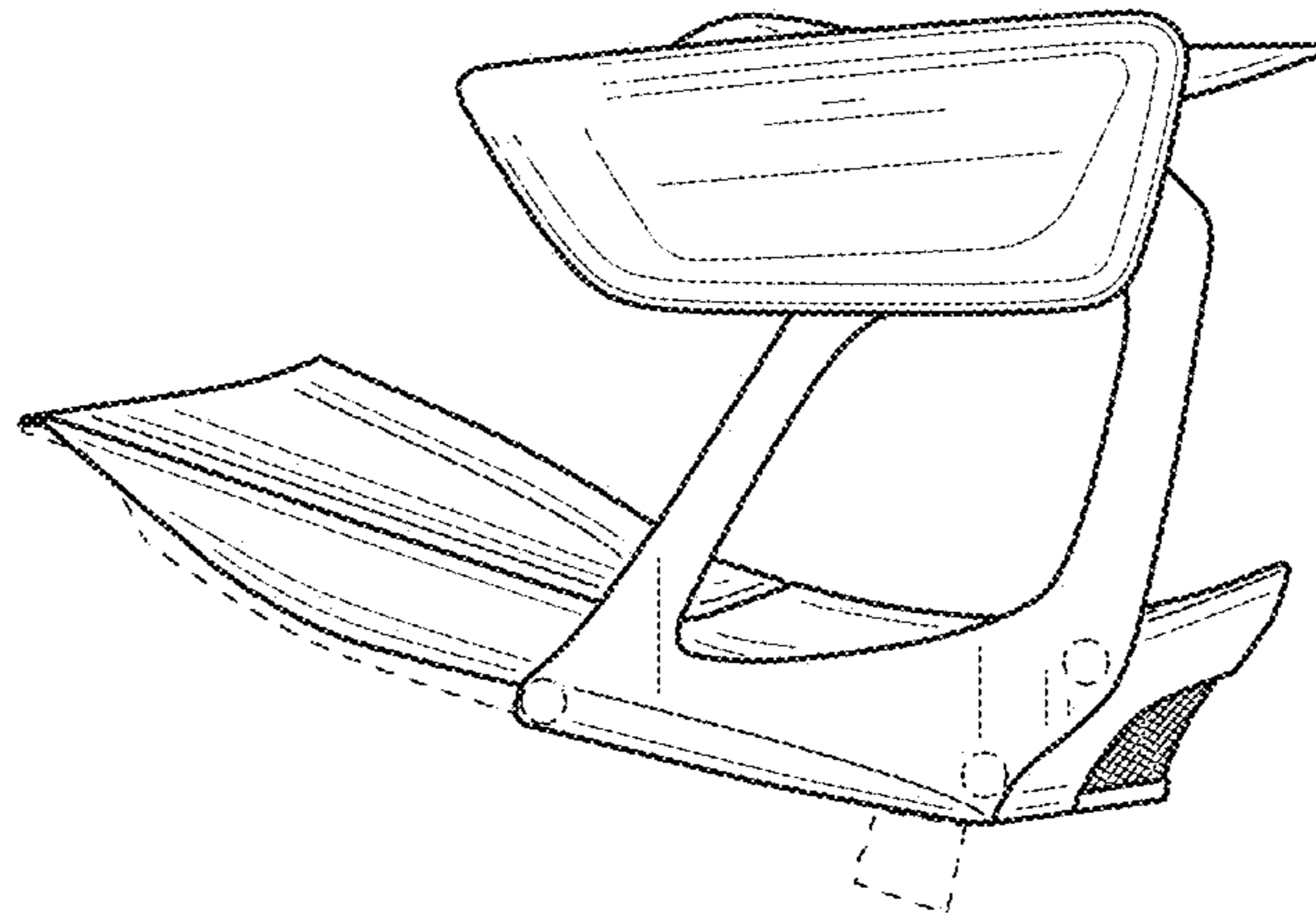


FIG. 4

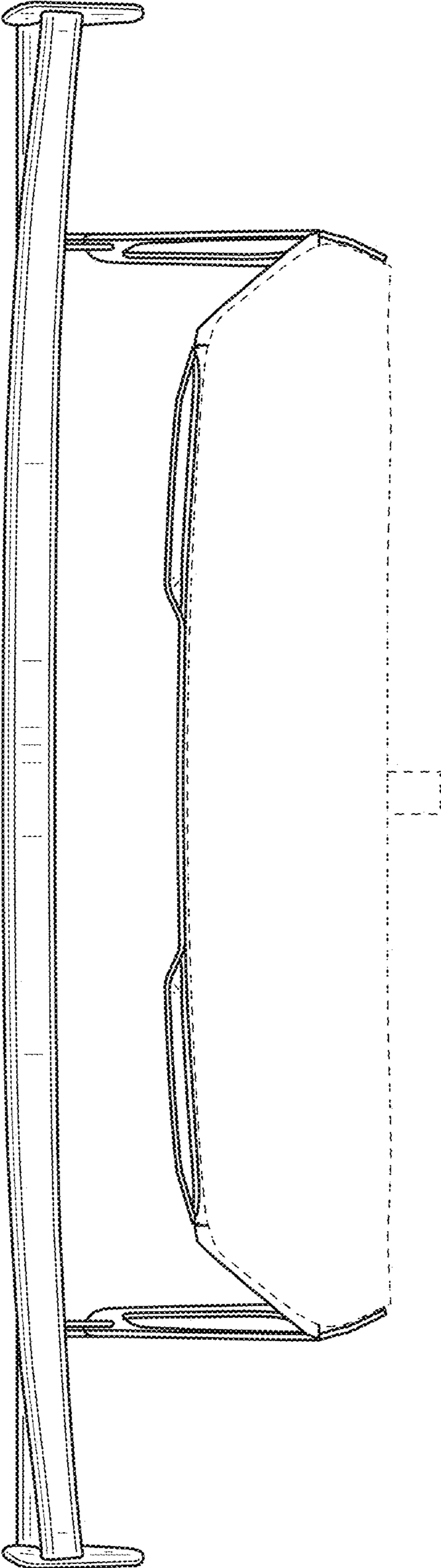


FIG. 5

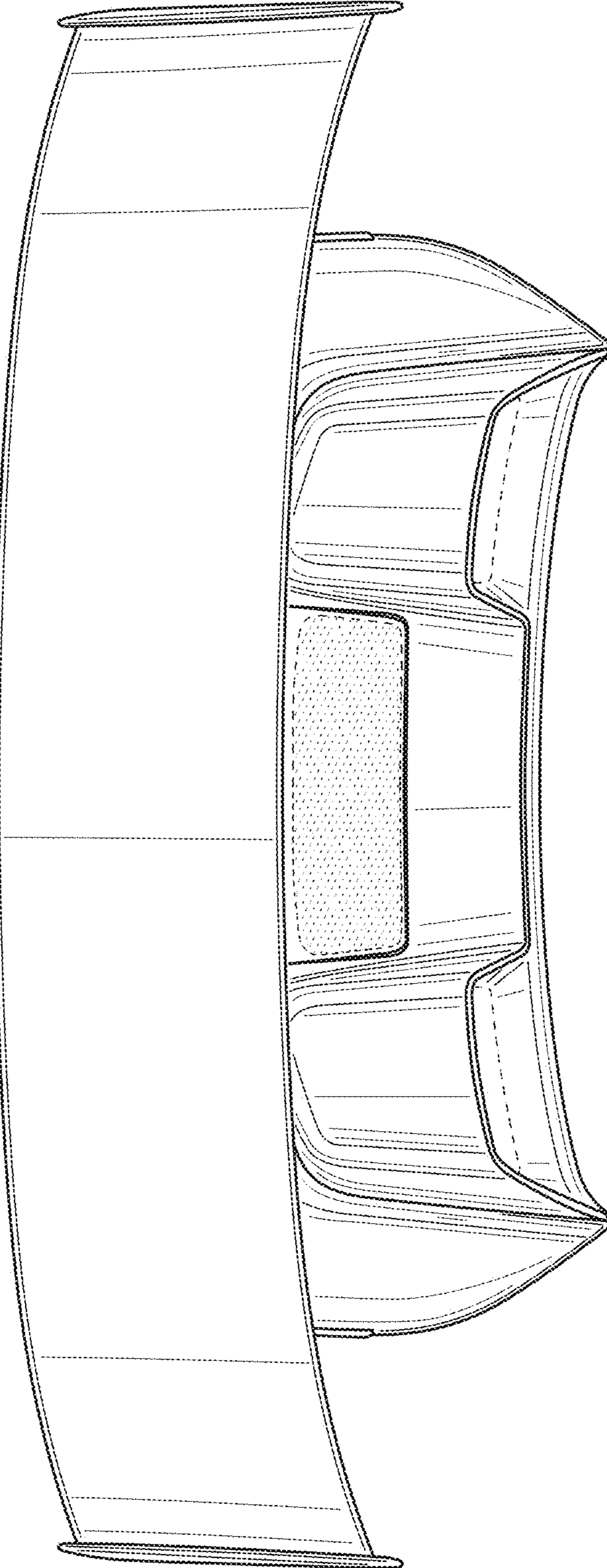


FIG. 6