



US00D883152S

(12) **United States Design Patent** (10) **Patent No.:** **US D883,152 S**
Metros et al. (45) **Date of Patent:** **** May 5, 2020**

(54) **VEHICLE FRONT UPPER BUMPER COVER**

(71) Applicant: **Ford Global Technologies, LLC**,
Dearborn, MI (US)
(72) Inventors: **Craig S. Metros**, Bloomfield, MI (US);
Darrell Behmer, Novi, MI (US);
Melvin Betancourt, Shelby Township,
MI (US); **Christopher Stevens**, Detroit,
MI (US)

(73) Assignee: **Ford Global Technologies, LLC**,
Dearborn, MI (US)

(**) Term: **15 Years**

(21) Appl. No.: **29/673,805**

(22) Filed: **Dec. 18, 2018**

(51) **LOC (12) Cl.** **12-16**

(52) **U.S. Cl.**
USPC **D12/169**

(58) **Field of Classification Search**
USPC D12/169, 164, 196, 171, 163, 86, 90-92;
293/102, 113, 115, 117, 120; 296/180.1,
296/180.2

CPC B60R 19/02; B60R 19/04; B62D 25/08
See application file for complete search history.

(56) **References Cited**

U.S. PATENT DOCUMENTS

D533,817 S	12/2006	Gaffka et al.	
D579,386 S	10/2008	Saridakis et al.	
D586,709 S	2/2009	Saridakis et al.	
D677,200 S	* 3/2013	Hamilton	D12/169
D678,141 S	3/2013	Behmer et al.	
D708,998 S	* 7/2014	Mays	D12/169
D749,999 S	* 2/2016	Curic	D12/169
D787,991 S	* 5/2017	Lee	D12/169

D789,850 S	* 6/2017	Svensson	D12/169
D789,851 S	* 6/2017	Svensson	D12/169
D800,617 S	* 10/2017	Jang	D12/169
D801,240 S	* 10/2017	Yang	D12/169
D801,241 S	* 10/2017	Park	D12/169
D809,440 S	* 2/2018	Kang	D12/169
D819,526 S	* 6/2018	Behmer	D12/169
D825,411 S	* 8/2018	Gueler	D12/169
D850,996 S	* 6/2019	Betancourt	D12/169
D850,997 S	* 6/2019	Messale	D12/169
D860,886 S	* 9/2019	Hong	D12/169
D865,588 S	* 11/2019	Hong	D12/169

OTHER PUBLICATIONS

Reese Counts, 2020 Ford Shelby GT500 revealed in Instagram post,
<https://www.autoblog.com> Oct. 18, 2018.

* cited by examiner

Primary Examiner — Melody N Brown

(74) *Attorney, Agent, or Firm* — Vichit Chea

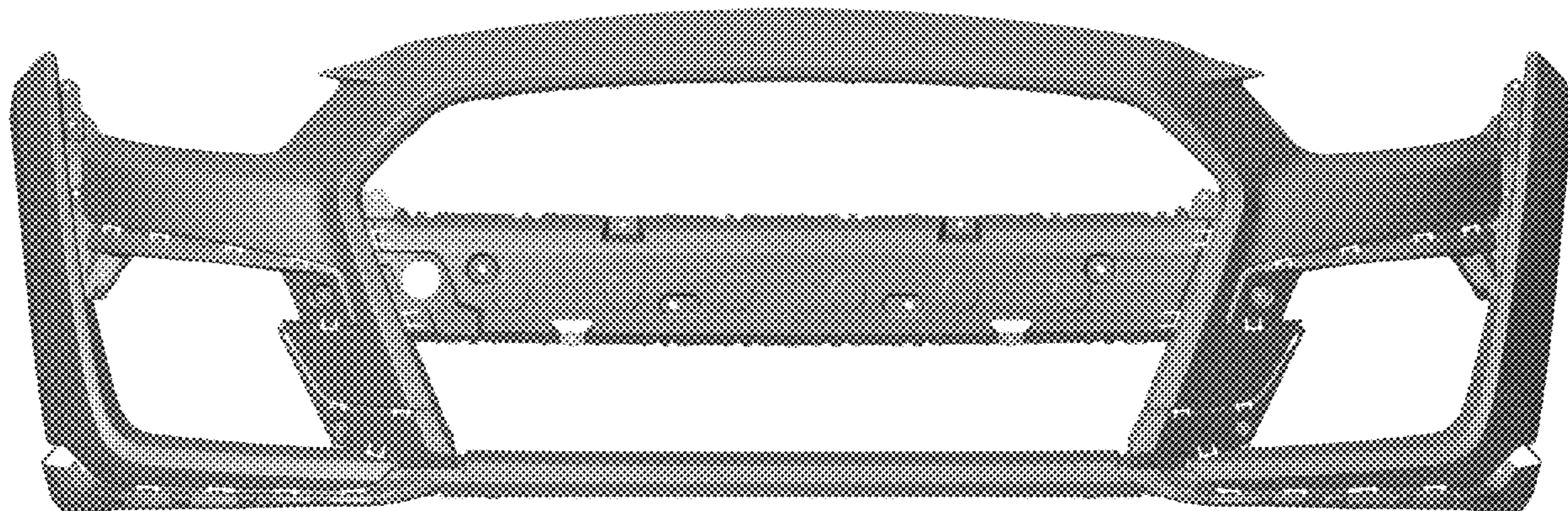
(57) **CLAIM**

The ornamental design for a vehicle front upper bumper cover, as shown and described.

DESCRIPTION

FIG. 1 is a front elevational view of a vehicle front upper bumper cover, showing our new design;
FIG. 2 is a left side elevational view thereof;
FIG. 3 is a right side elevational view thereof;
FIG. 4 is a top plan view thereof;
FIG. 5 is a bottom plan view thereof;
FIG. 6 is a top, front and left side perspective view thereof;
and,
FIG. 7 is a bottom, front and left side perspective view thereof.

1 Claim, 7 Drawing Sheets



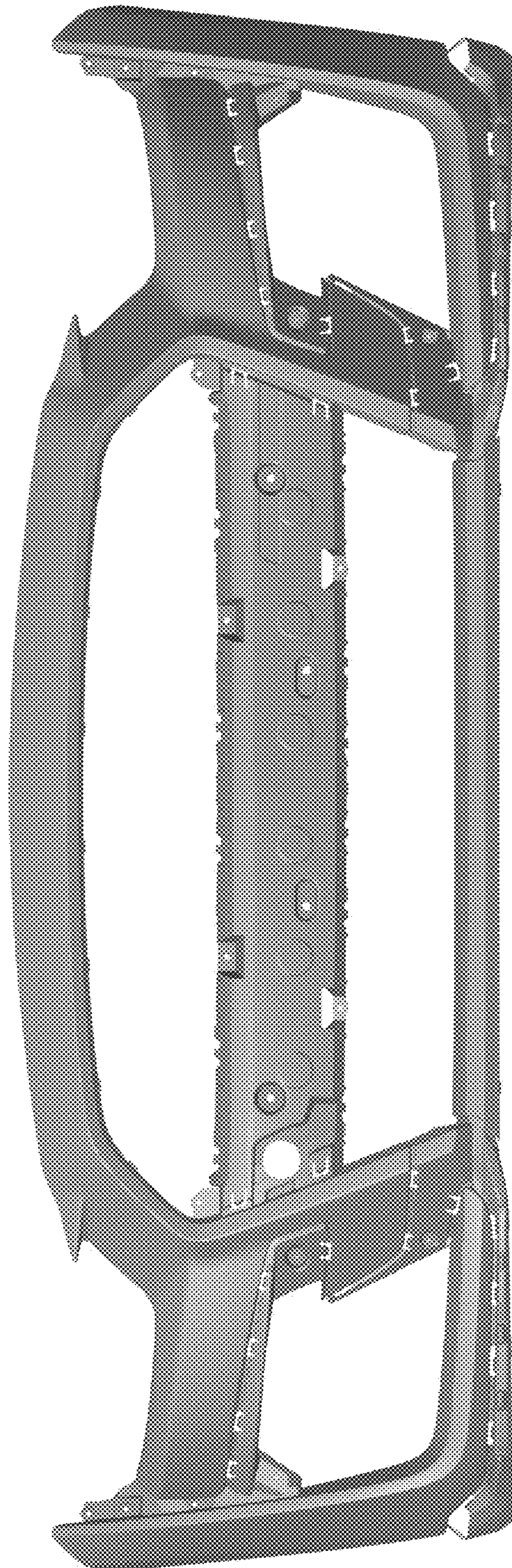


Fig. 1

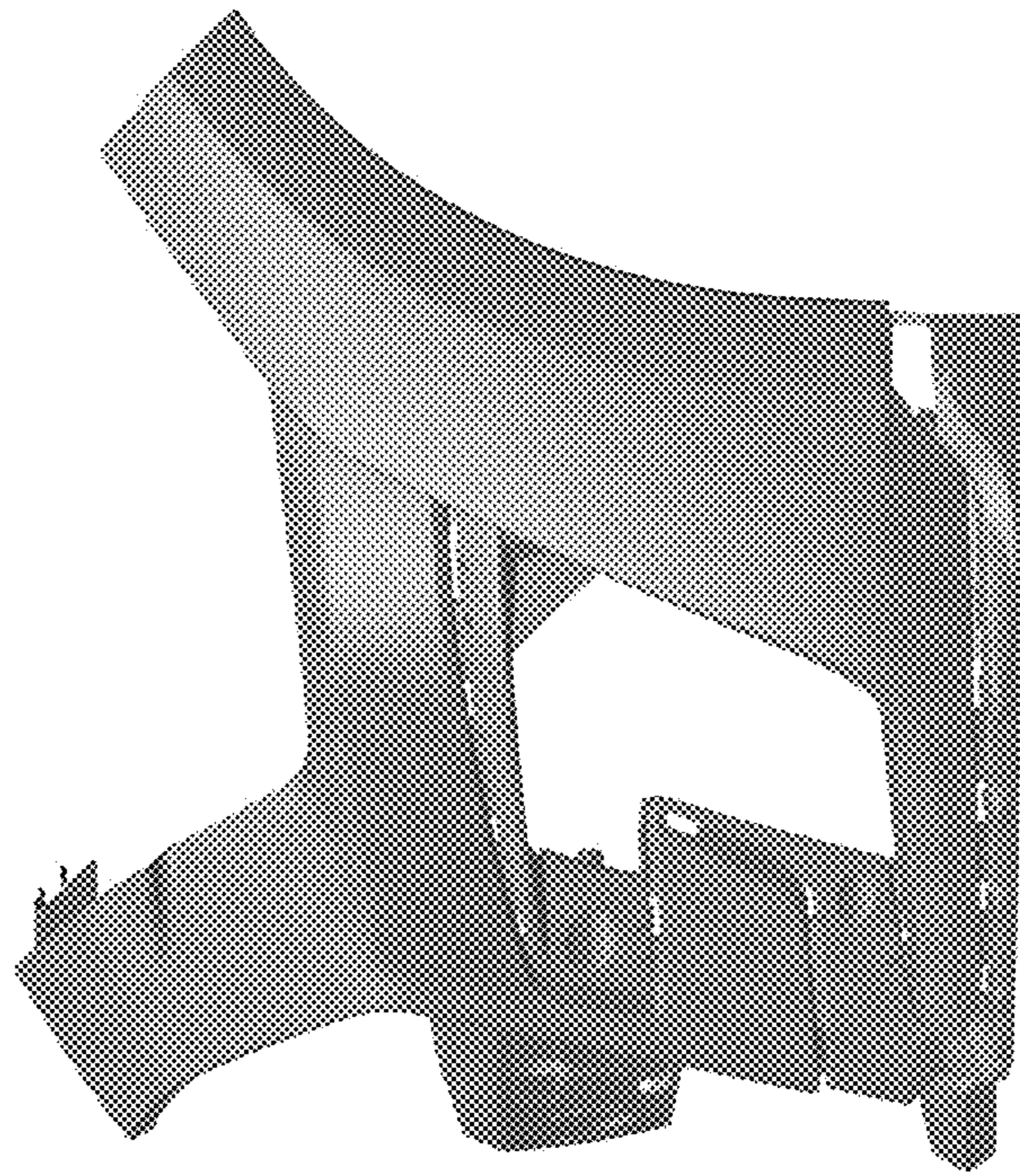


Fig. 2

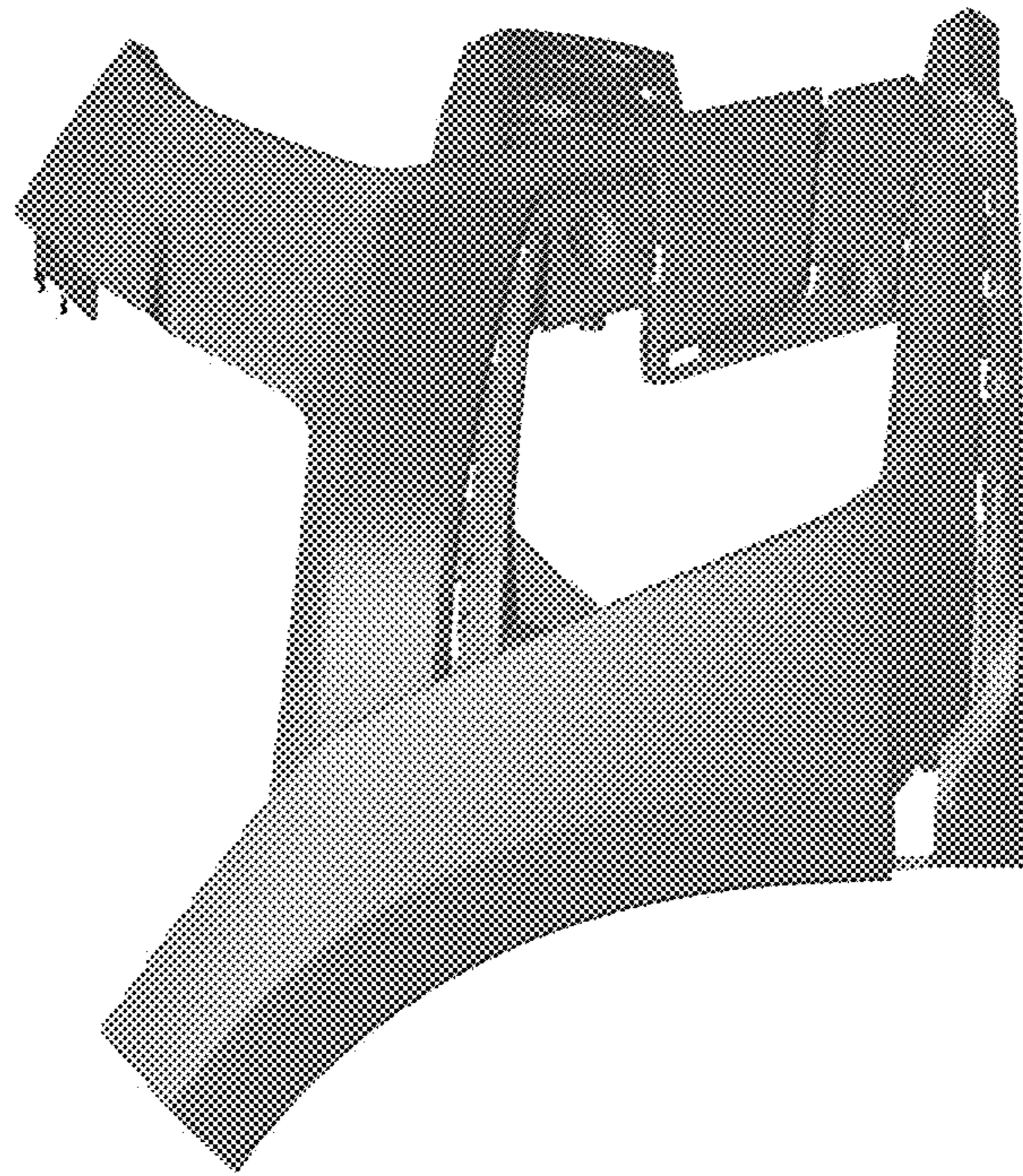


Fig. 3

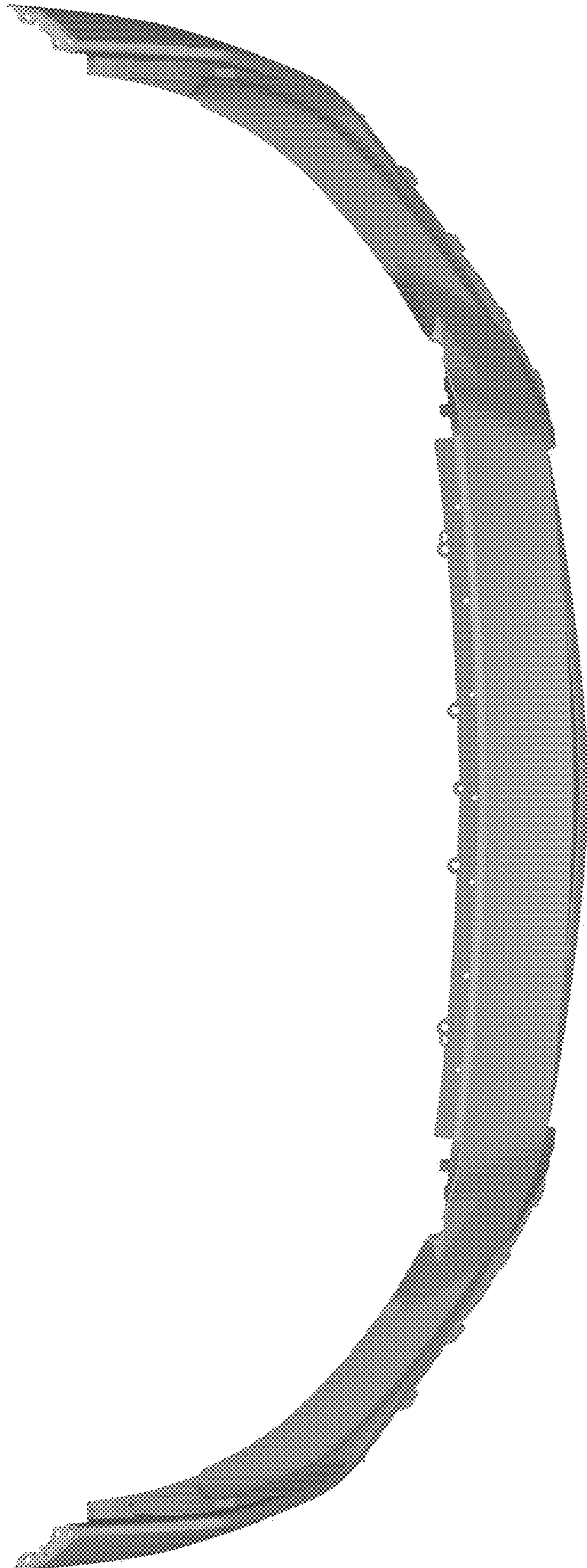
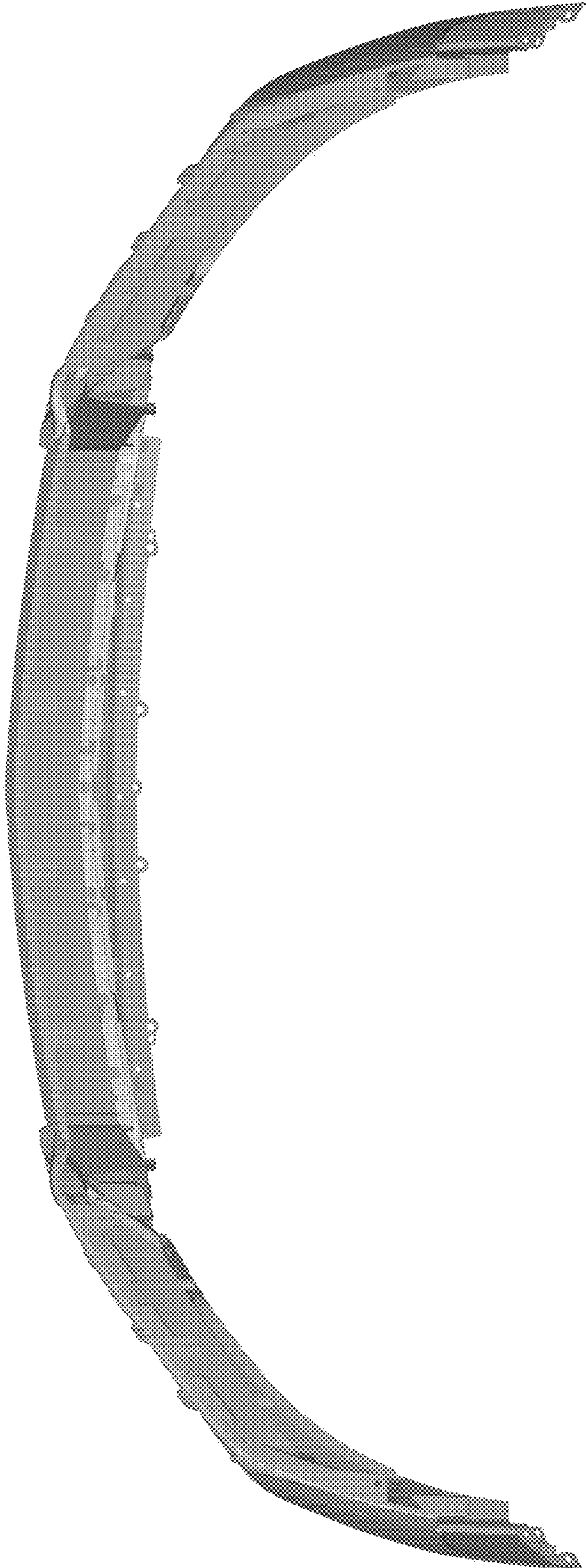


Fig. 4

Fig. 5



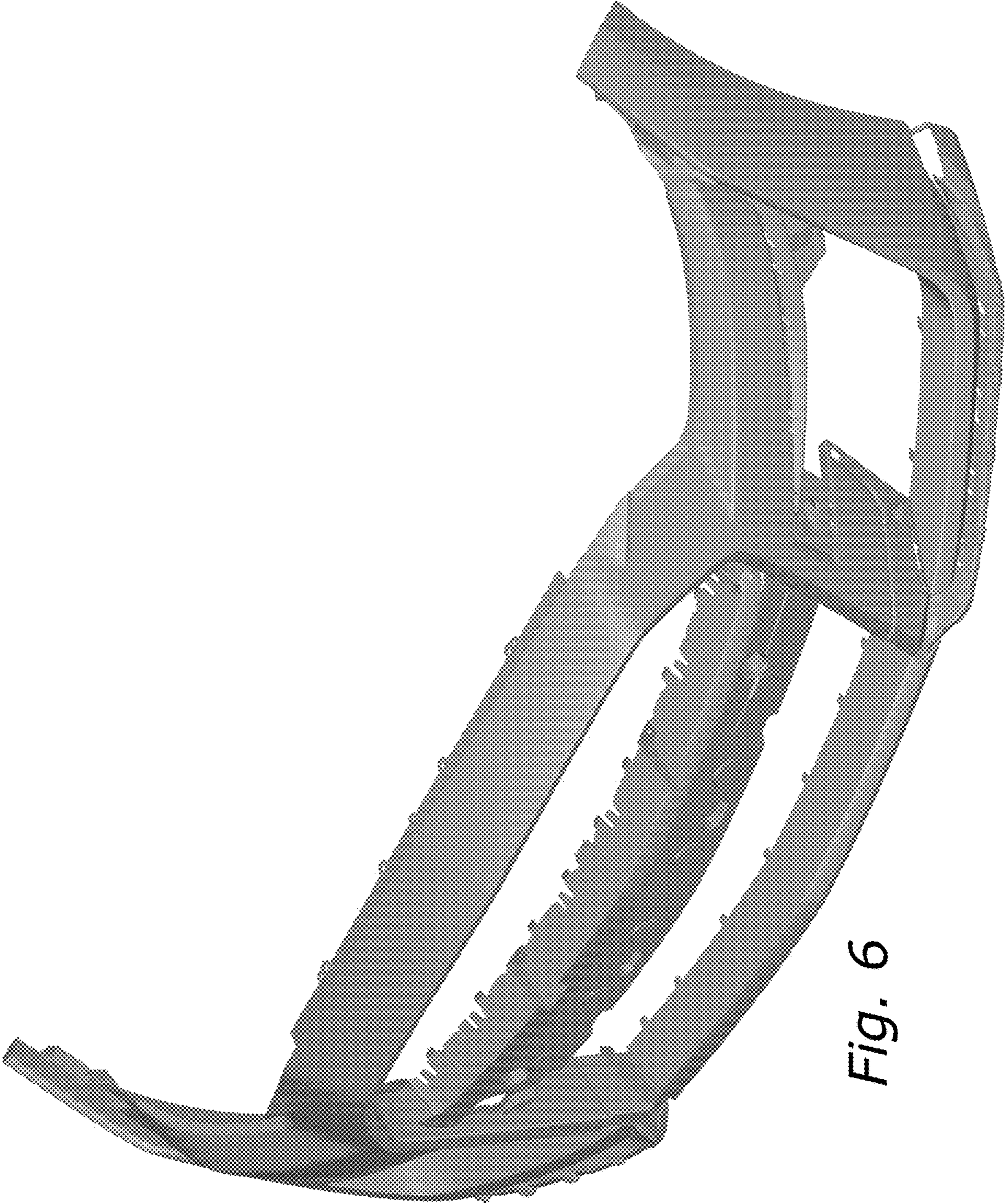


Fig. 6

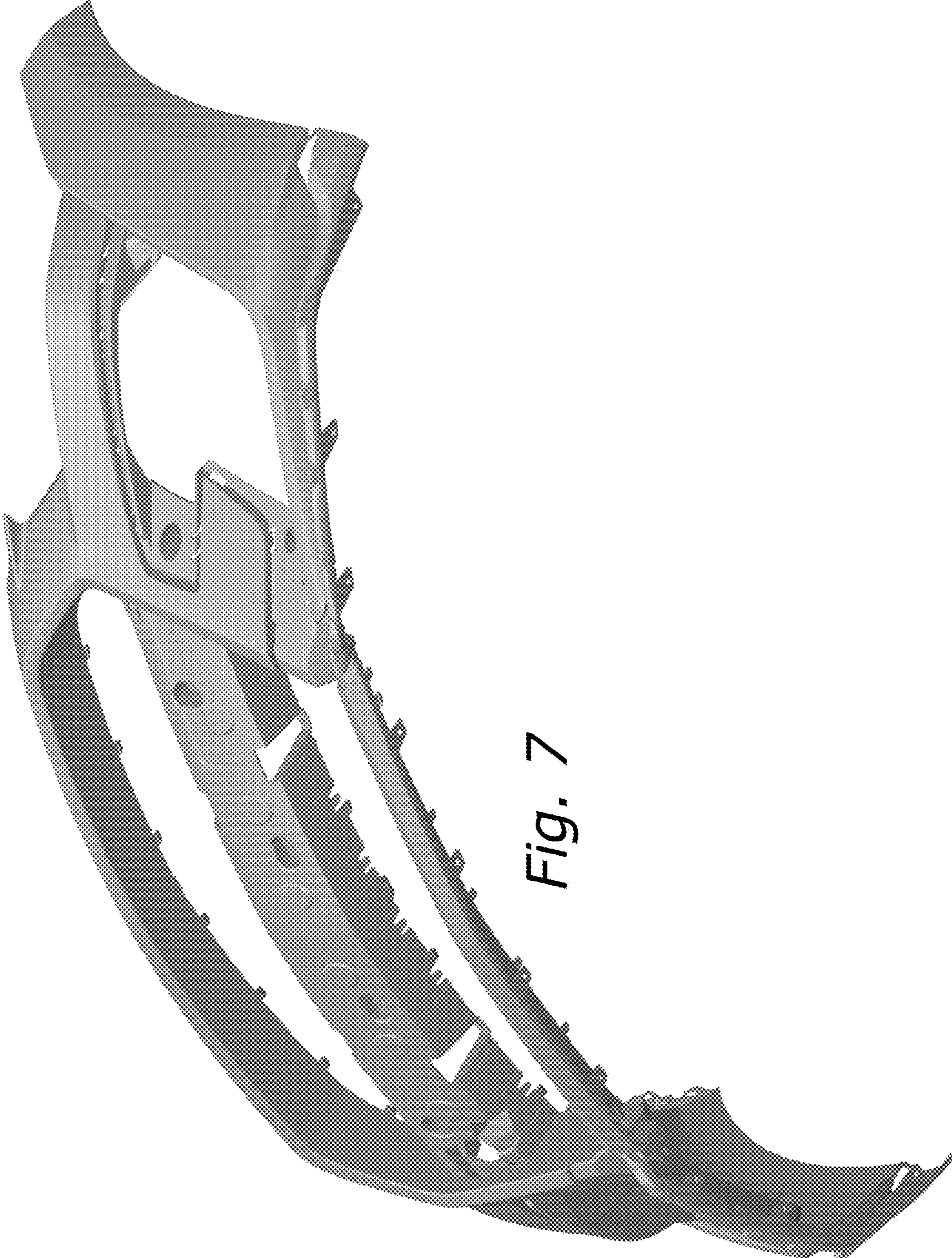


Fig. 7