



US00D883145S

(12) **United States Design Patent**
Baum

(10) **Patent No.:** **US D883,145 S**

(45) **Date of Patent:** **** May 5, 2020**

(54) **MOTOR VEHICLE, TOY AND/OR REPLICA**

(71) Applicant: **Dr. Ing. h.c. F. Porsche**
Aktiengesellschaft, Stuttgart (DE)

(72) Inventor: **Benjamin Baum, Althengstett (DE)**

(73) Assignee: **Dr. Ing. h.c. F. Porsche**
Aktiengesellschaft (DE)

(**) Term: **15 Years**

(21) Appl. No.: **29/666,391**

(22) Filed: **Oct. 12, 2018**

(30) **Foreign Application Priority Data**

Apr. 13, 2018 (DE) 40 2018 100 410

(51) **LOC (12) Cl.** **12-08**

(52) **U.S. Cl.**
USPC **D12/92**

(58) **Field of Classification Search**
USPC D12/86, 90-92, 88; D21/424, 433, 434,
D21/533; 296/181.1-181.5, 183.1
CPC B62D 25/00; B62D 25/06; B62D 33/00;
B62D 35/00

See application file for complete search history.

(56) **References Cited**

U.S. PATENT DOCUMENTS

D320,368 S	10/1991	Dimson
D327,039 S	6/1992	Dimson
D411,139 S	6/1999	Lai
D417,414 S	12/1999	Mobius
D436,061 S	1/2001	Mobius
D438,145 S	2/2001	Hatter
D468,238 S	1/2003	Bhambra
D497,327 S	10/2004	Lai
D507,207 S	7/2005	Larson
D507,510 S	7/2005	Larson

D512,341 S	12/2005	Larson
D528,056 S	9/2006	Lai
D547,240 S	7/2007	Kulla
D547,698 S	7/2007	Kulla
D549,614 S	8/2007	Kulla
D560,557 S	1/2008	Kulla
D589,403 S	3/2009	Saracoglu
D590,301 S	4/2009	Saracoglu
D605,560 S	12/2009	Kulla
D606,456 S	12/2009	Saracoglu
D606,902 S	12/2009	Saracoglu
D606,903 S	12/2009	Saracoglu
D607,779 S	1/2010	Kulla

(Continued)

OTHER PUBLICATIONS

Design U.S. Appl. No. 29/613,578, by Chung et al., filed Aug. 11, 2017.

(Continued)

Primary Examiner — Melody N Brown

(74) *Attorney, Agent, or Firm* — RatnerPrestia

(57) **CLAIM**

The ornamental design for a motor vehicle, toy and/or replica, as shown a described.

DESCRIPTION

FIG. 1 is front perspective view of a motor vehicle, toy and/or replica;

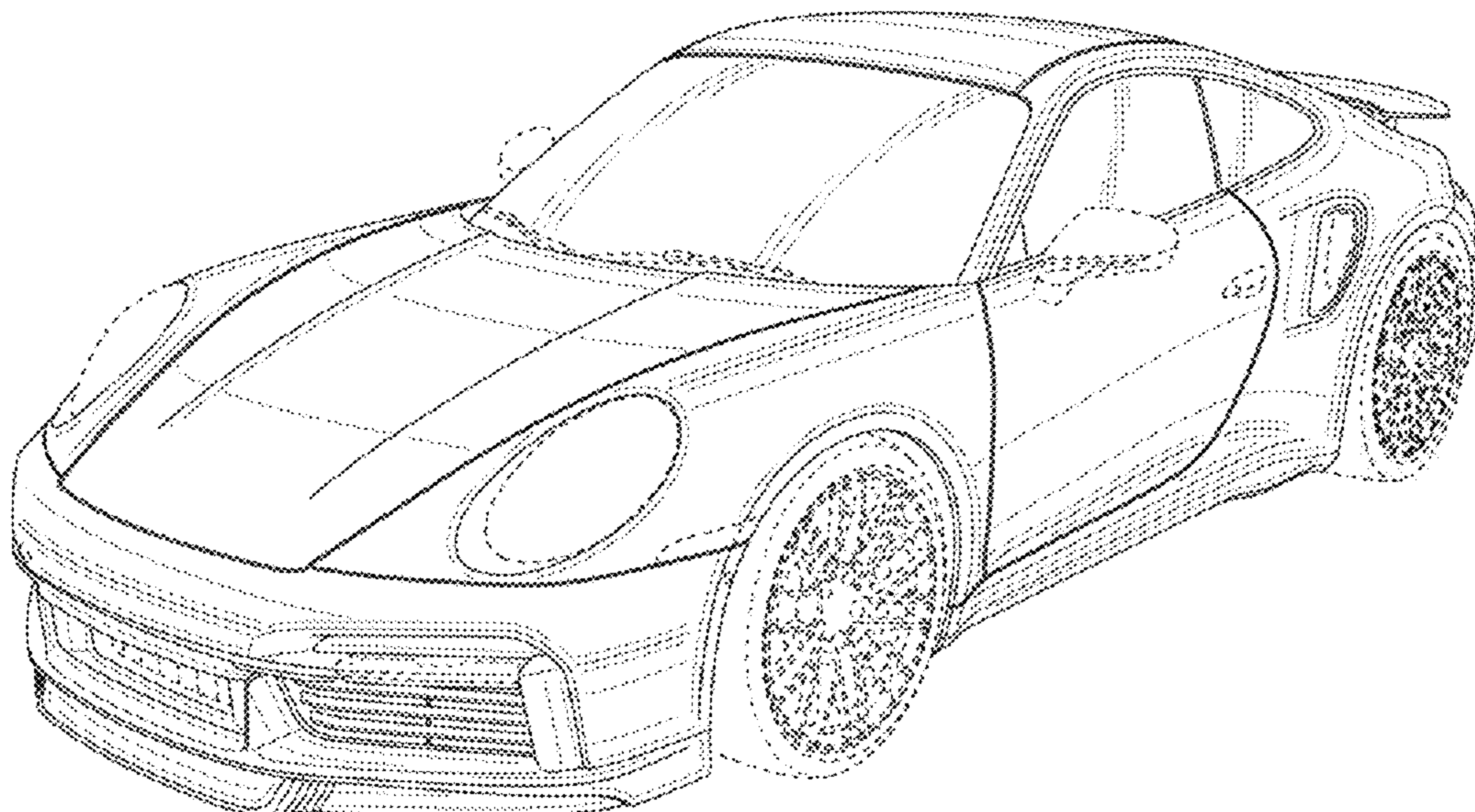
FIG. 2 is a front elevation view thereof;

FIG. 3 is a rear elevation view thereof;

FIG. 4 is an elevation view thereof taken from the right side, the left side being a substantial mirror image thereof; and, FIG. 5 is a top plan view thereof.

The broken line showing of the motor vehicle, toy and/or replica is for the purpose of illustrating portions of the motor vehicle, toy and/or replica and forms no part of the claimed design.

1 Claim, 5 Drawing Sheets



(56)

References Cited

U.S. PATENT DOCUMENTS

D607,780 S 1/2010 Larson
D610,488 S 2/2010 Kulla
D623,557 S 9/2010 Kulla
D641,665 S 7/2011 Larson
D663,240 S 7/2012 Scheinhütte
D669,001 S 10/2012 Varga
D684,896 S 6/2013 Scheinhütte
D701,146 S 3/2014 Varga
D704,099 S 5/2014 Varga
D705,131 S 5/2014 Larson
D731,929 S 6/2015 Schramm
D733,614 S 7/2015 Scheinhütte
D753,023 S 4/2016 Villevoye et al.
D774,421 S 12/2016 Larson
D797,607 S 9/2017 Preuninger et al.
D805,435 S * 12/2017 Baum D12/92
D805,436 S 12/2017 Yamashita et al.
D805,437 S * 12/2017 Varga D12/92
D808,862 S 1/2018 Ujhasi
D823,727 S 7/2018 Hauser
D824,288 S 7/2018 Hauser
D826,784 S 8/2018 Hauser

D833,331 S * 11/2018 Yamashita D12/92
D839,786 S * 2/2019 Baum D12/92
D842,759 S * 3/2019 Baum D12/92
D861,539 S * 10/2019 Schmolz D12/92

OTHER PUBLICATIONS

Design U.S. Appl. No. 29/615,227, by Baum et al., filed Aug. 28, 2017.
Design U.S. Appl. No. 29/615,609, Baum et al., filed Aug. 30, 2017.
Design U.S. Appl. No. 29/615,611, by Baum et al., filed Aug. 30, 2017.
Design U.S. Appl. No. 29/615,614, by Baum et al., filed Aug. 30, 2017.
Design U.S. Appl. No. 29/638,352, by Yamashita, filed Feb. 27, 2018.
Design U.S. Appl. No. 29/646,150, by Yamashita, filed May 2, 2018.
Design U.S. Appl. No. 29/661,433, by Larson, filed Aug. 28, 2018; and.
Design U.S. Appl. No. 29/666,247, by Stopka, filed Oct. 11, 2018.

* cited by examiner

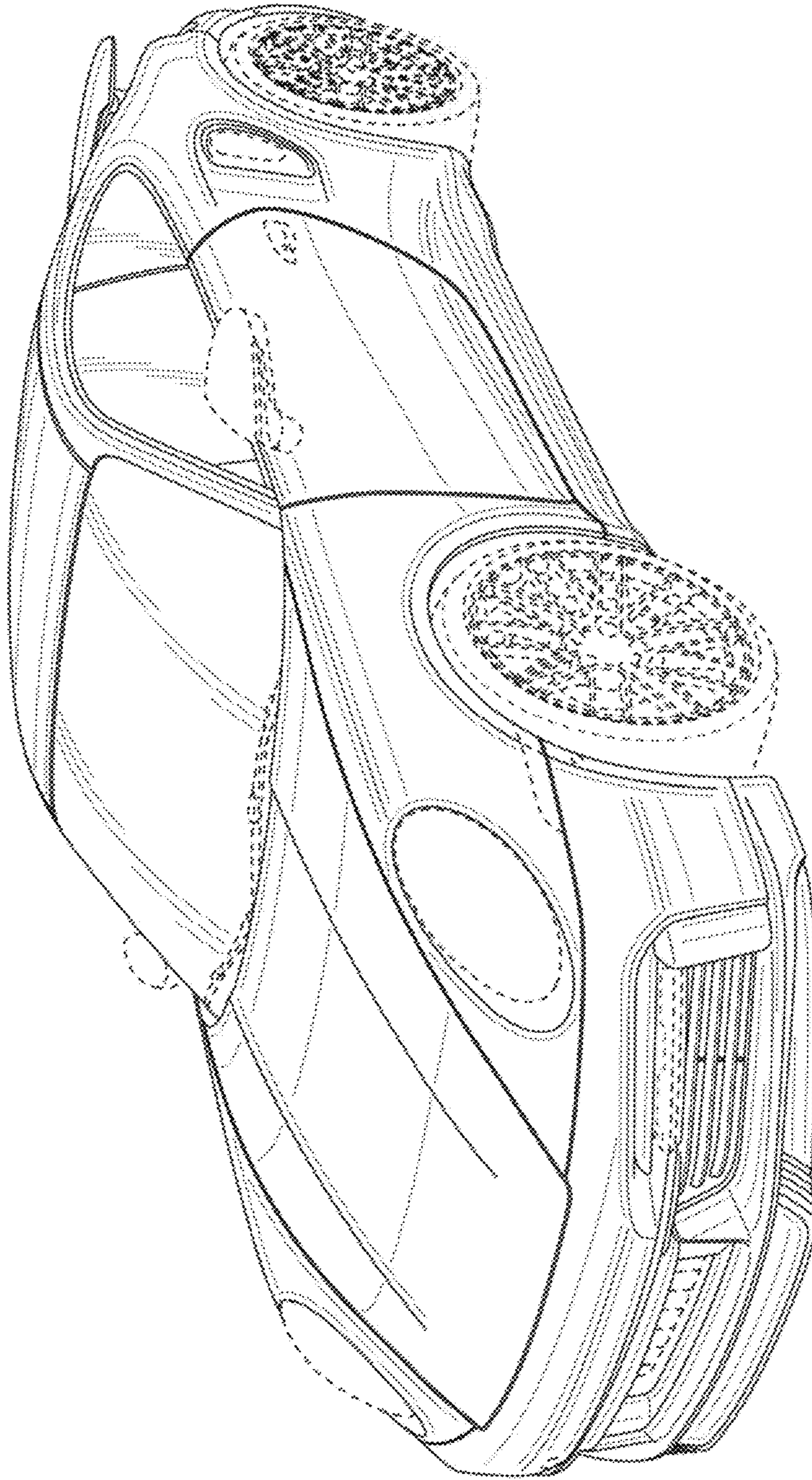


FIG. 1

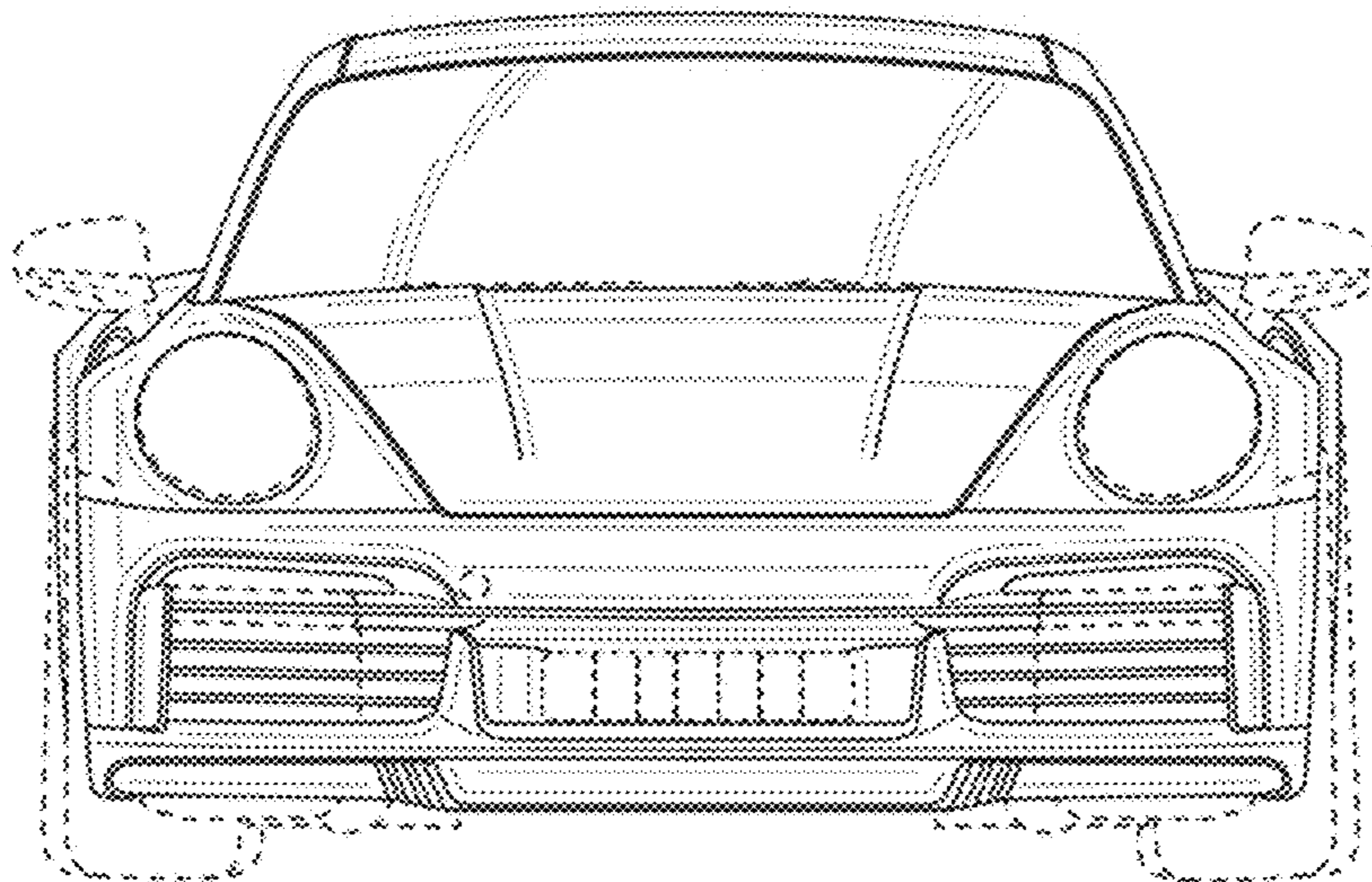


FIG. 2

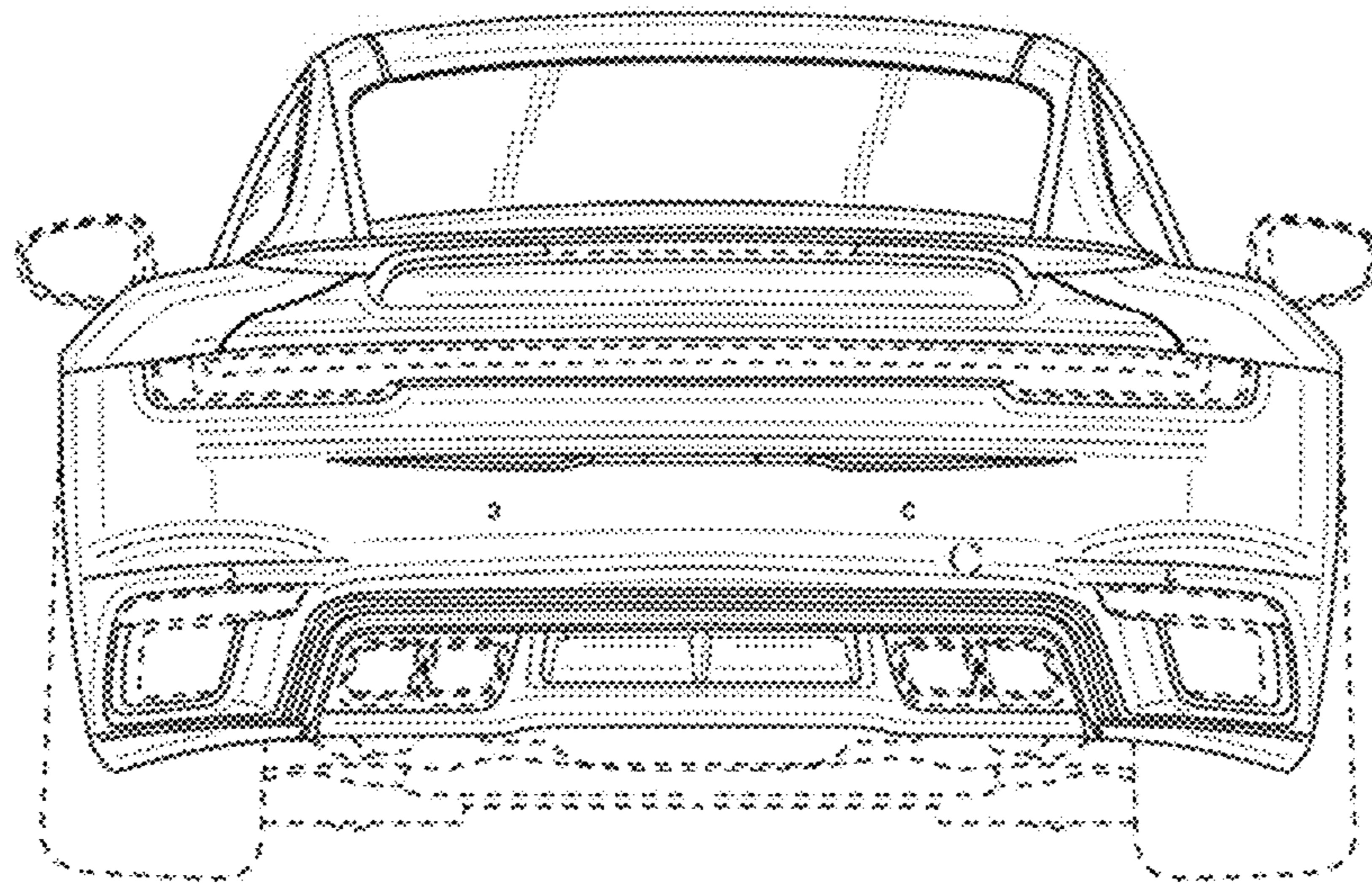


FIG. 3

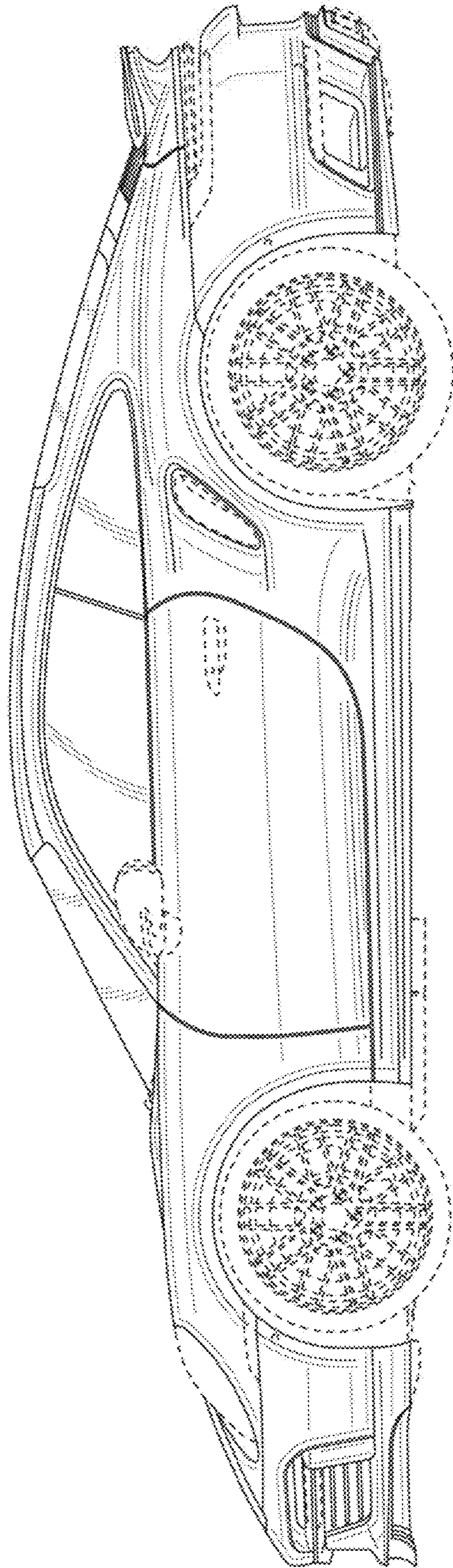


FIG. 4

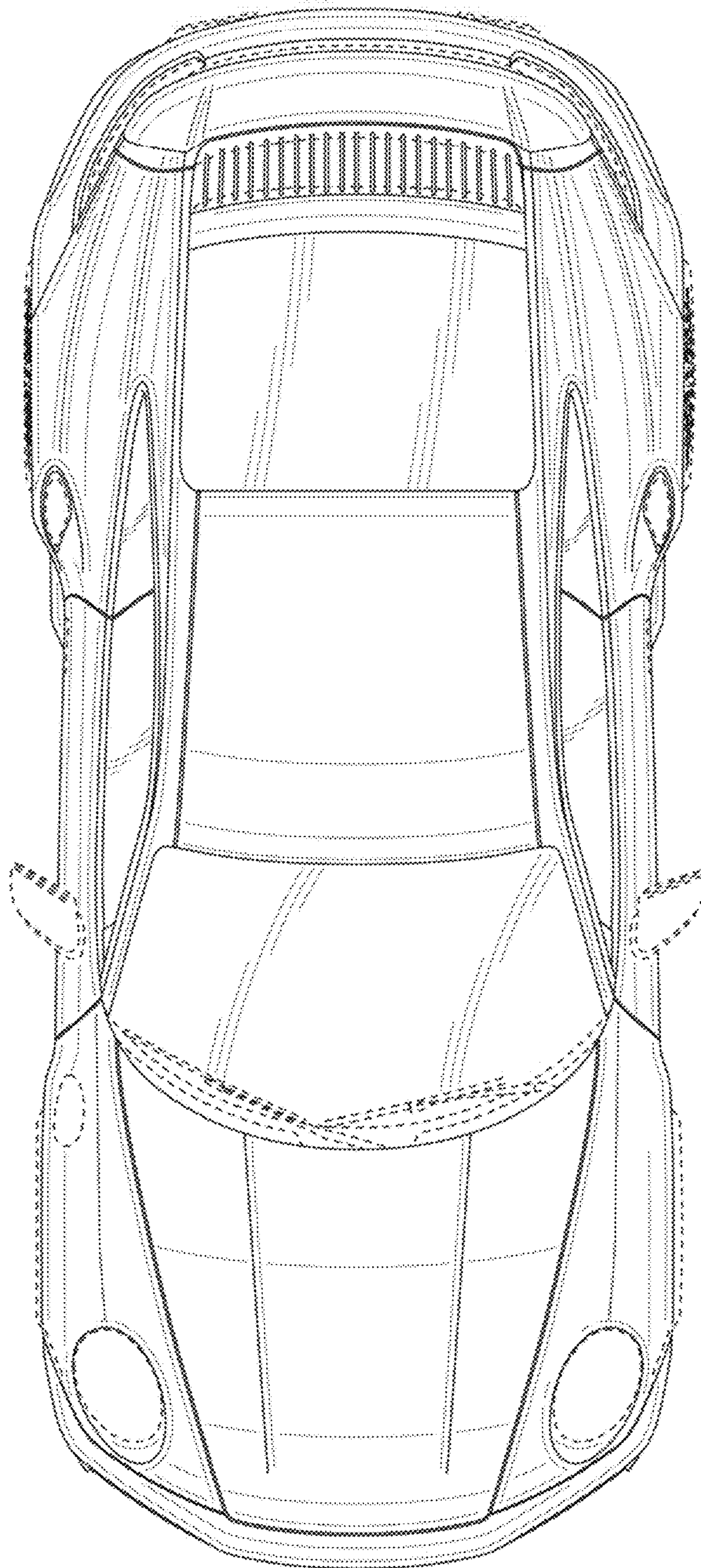


FIG. 5