



US00D883144S

(12) **United States Design Patent** (10) **Patent No.:** **US D883,144 S**
Schell et al. (45) **Date of Patent:** **** May 5, 2020**

(54) **VEHICLE BODY AND/OR REPLICA**

D705,700 S * 5/2014 Chen D12/91
D708,552 S 7/2014 De Bono
D710,760 S 8/2014 Johnson
(Continued)

(71) Applicant: **HONDA MOTOR CO., LTD.**, Tokyo (JP)

(72) Inventors: **Damon Schell**, Long Beach, CA (US);
William R. Yex, Redondo Beach, CA (US); **Benjamin R. Davidson**, Torrance, CA (US)

FOREIGN PATENT DOCUMENTS

AU 315985 S 9/2007
AU 324015 S 1/2009
(Continued)

(73) Assignee: **HONDA MOTOR CO., LTD.**, Tokyo (JP)

OTHER PUBLICATIONS

“2018 Honda Pilot—The Modern Midsize Family Suv.” Honda Motor Co., <https://automobiles.honda.com/pilot>, accessed Jun. 18, 2018.

(**) Term: **15 Years**

(Continued)

(21) Appl. No.: **29/653,859**

(22) Filed: **Jun. 19, 2018**

Primary Examiner — Melody N Brown

(51) **LOC (12) Cl.** **12-08**

(74) *Attorney, Agent, or Firm* — Arent Fox, LLP

(52) **U.S. Cl.**
USPC **D12/91**

(57) **CLAIM**

(58) **Field of Classification Search**
USPC D12/86, 90–92; D21/424, 433, 434, 533;
296/181.1–181.5, 183.1
CPC B62D 25/00; B62D 25/06; B62D 33/00;
B62D 35/00

The ornamental design for a vehicle body and/or replica, as shown and described.

DESCRIPTION

See application file for complete search history.

FIG. 1 is a left, front perspective view of a vehicle body and/or replica showing our new design; FIG. 2 is a left, rear perspective view thereof; FIG. 3 is a right, front perspective view thereof; FIG. 4 is a right, rear perspective view thereof; FIG. 5 is a front elevational view thereof; FIG. 6 is a rear elevational view thereof; FIG. 7 is a right side elevational view thereof; FIG. 8 is a left side elevational view thereof; FIG. 9 is a top plan view thereof; and, FIG. 10 is a bottom plan view thereof.

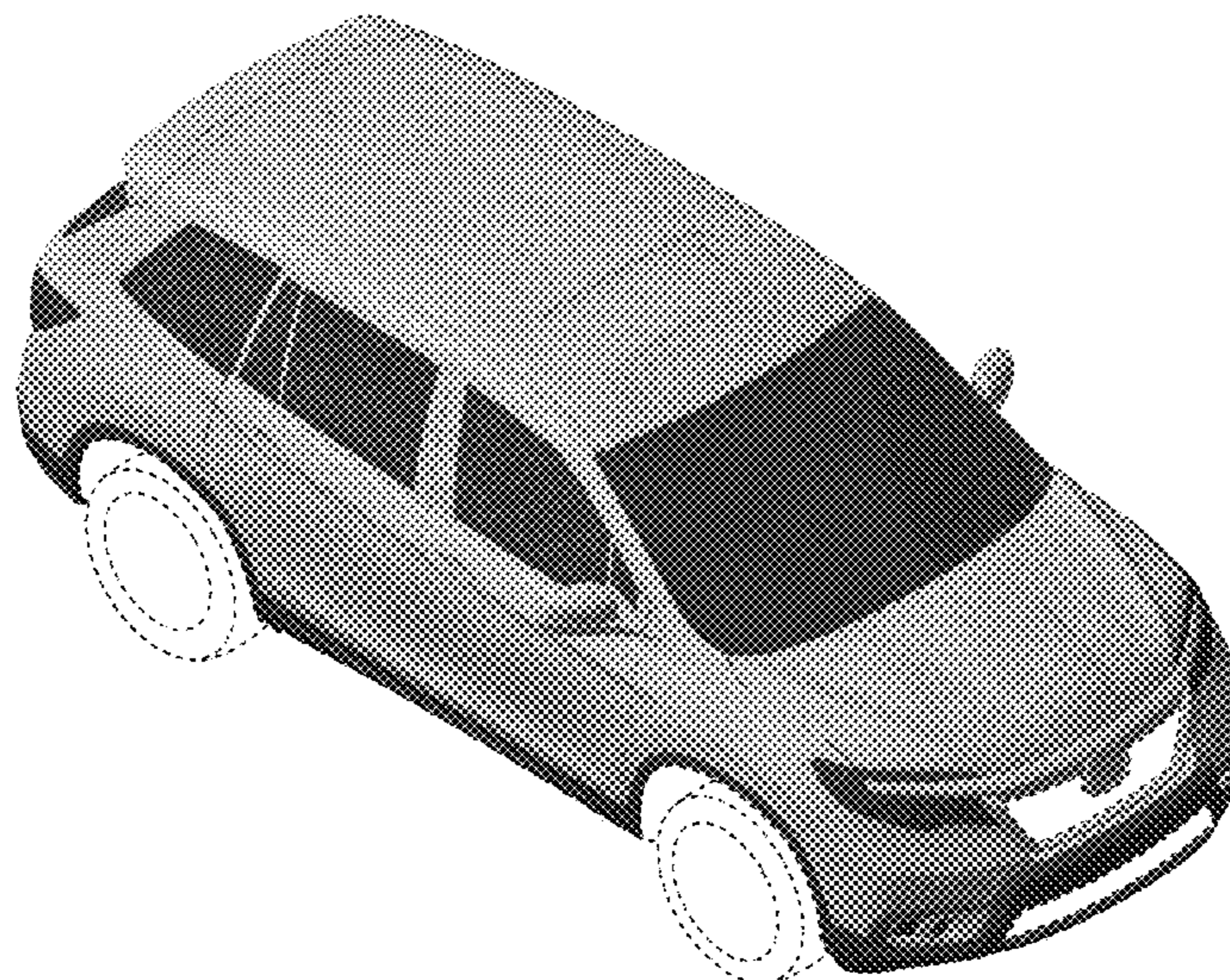
The broken lines shown in the figures are included for the purpose of illustrating portions of the vehicle body and/or replica and form no part of the claimed design.

(56) **References Cited**

U.S. PATENT DOCUMENTS

D497,840 S 11/2004 Egger
D554,564 S 11/2007 Vardis
D613,645 S 4/2010 Song et al.
D619,500 S 7/2010 Hsu et al.
D619,501 S 7/2010 Mueller
D647,003 S 10/2011 Kim
D670,606 S 11/2012 Frenzel et al.
D674,726 S 1/2013 Yamada et al.
D693,737 S 2/2013 Hammoud et al.
D680,906 S 4/2013 Sugimoto et al.
D686,949 S * 7/2013 Minami D12/91
D689,795 S 9/2013 Takei et al.

1 Claim, 10 Drawing Sheets



(56)

References Cited

U.S. PATENT DOCUMENTS

D719,875 S * 12/2014 Jang D12/91
 D729,138 S 5/2015 Davidson et al.
 D746,722 S 1/2016 Henstridge
 D752,484 S 3/2016 Davidson et al.
 D759,540 S * 6/2016 Davidson D12/91
 D760,628 S 7/2016 Davidson et al.
 D761,457 S 7/2016 Davidson et al.
 D761,693 S * 7/2016 Lian D12/91
 D764,083 S 8/2016 Davidson et al.
 D766,778 S * 9/2016 Lian D12/91
 D767,467 S 9/2016 Davidson et al.
 D772,117 S 11/2016 Davidson et al.
 D774,427 S 12/2016 Davidson et al.
 D774,428 S 12/2016 Davidson et al.
 D784,856 S 4/2017 Hatton
 D798,193 S 9/2017 Potter
 D803,725 S * 11/2017 Suzuki D12/91
 D804,996 S * 12/2017 Sahara D12/91
 D807,227 S * 1/2018 Chen D12/91

D810,625 S * 2/2018 Sungjun D12/91
 D820,160 S * 6/2018 Smock D12/91
 D823,165 S * 7/2018 Chung D12/91
 D847,694 S * 5/2019 Smock D12/91

FOREIGN PATENT DOCUMENTS

AU	328763 S	12/2009
AU	332631 S	9/2010
CA	132364 S	9/2010
CA	136580 S	3/2011
CA	137083 S	9/2011
GB	2057708 S	6/1997
GB	3000080 S	4/2002
GB	3006398 S	9/2002

OTHER PUBLICATIONS

Substantive Report issued from the Chilean Patent Office in corresponding Patent Application No. 3667-2018, dated Mar. 9, 2020.

* cited by examiner

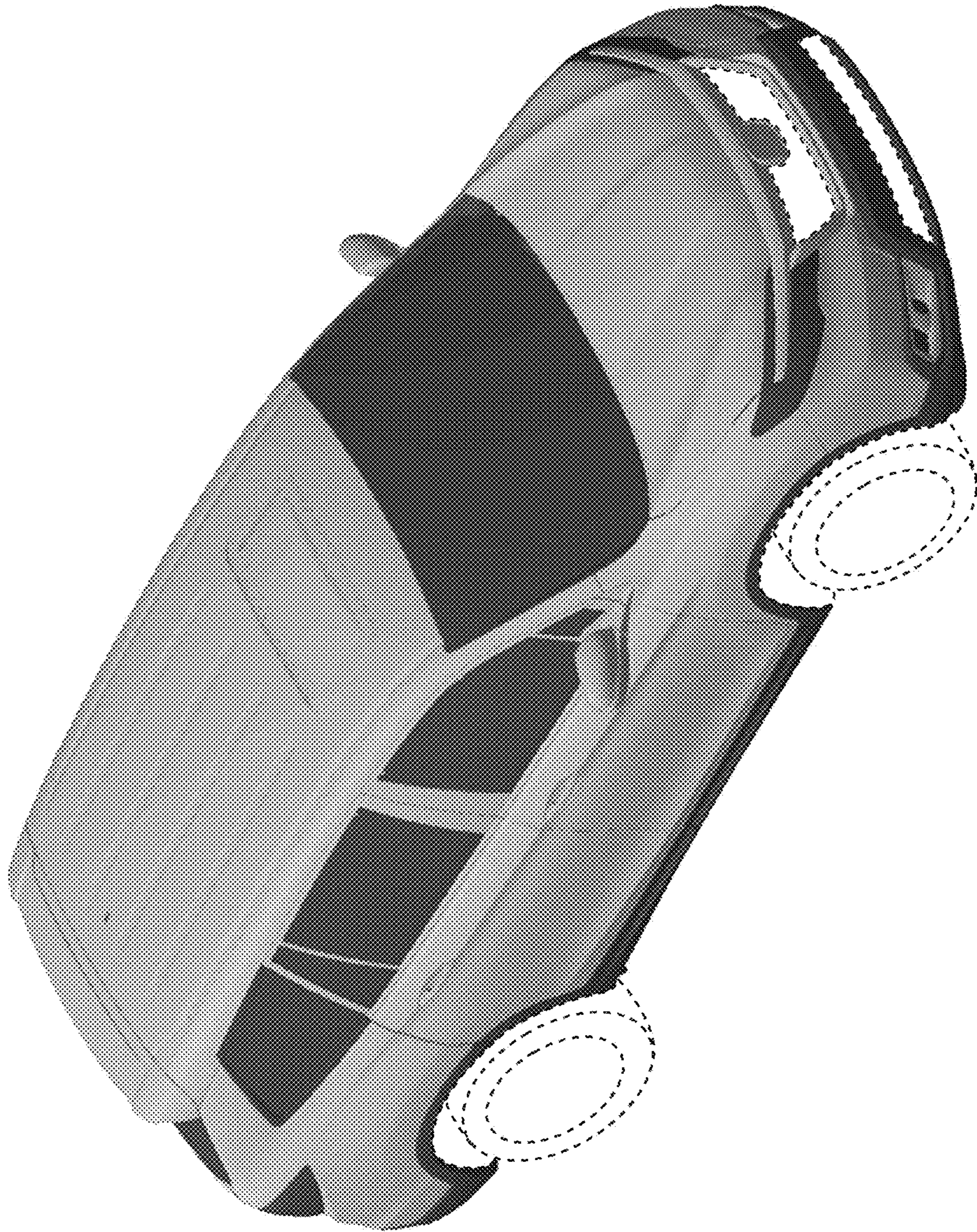


FIG. 1

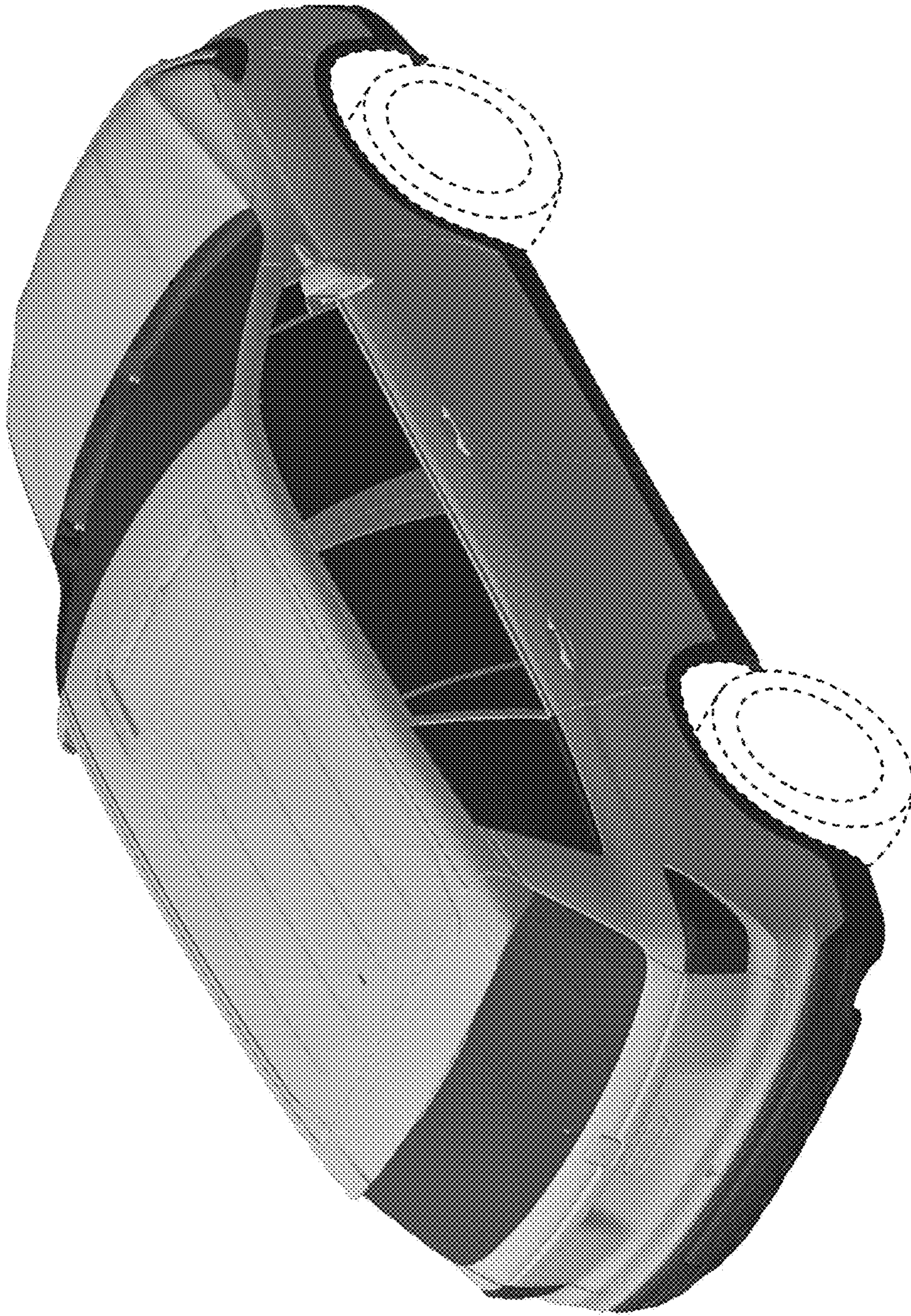


FIG. 2

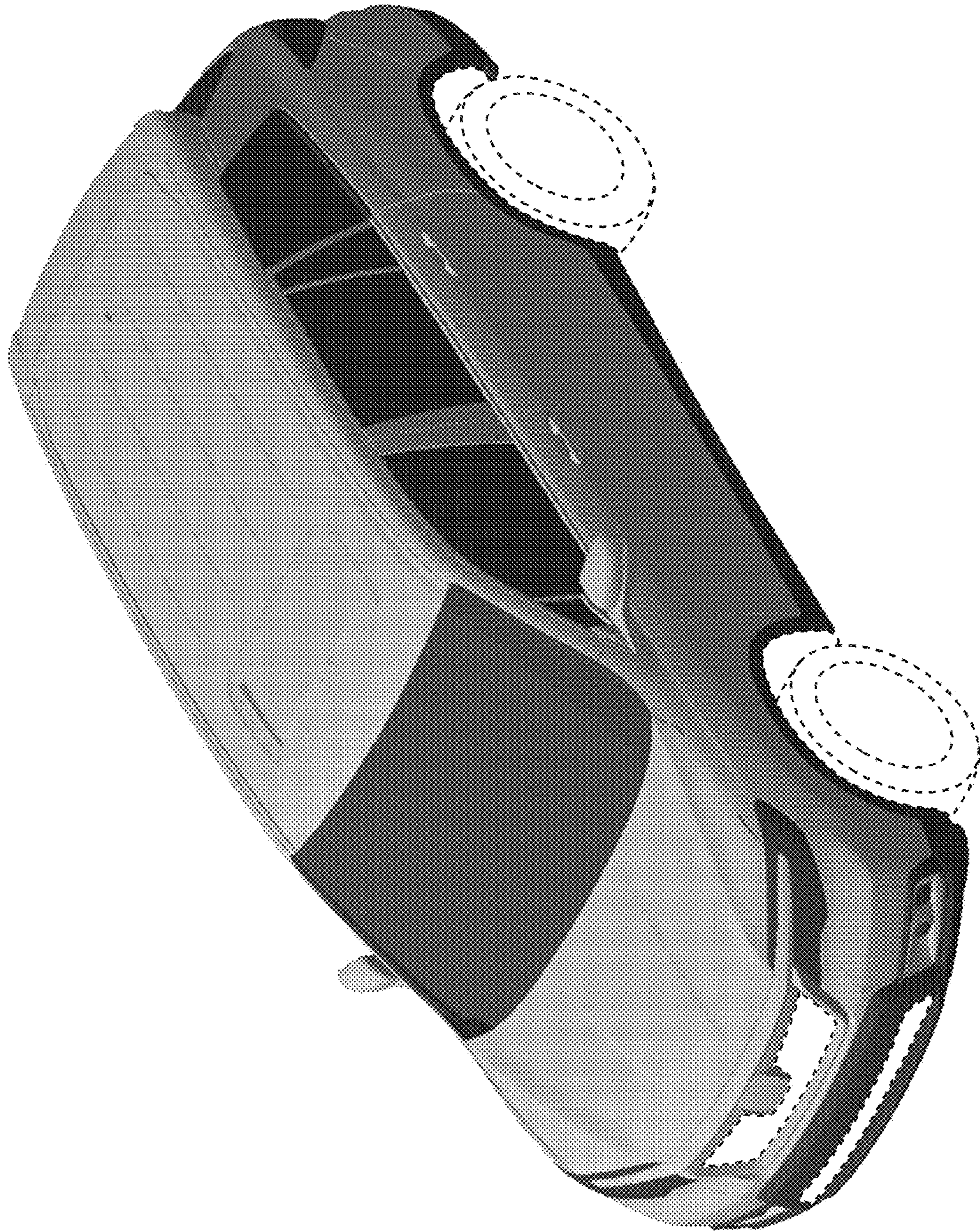


FIG. 3

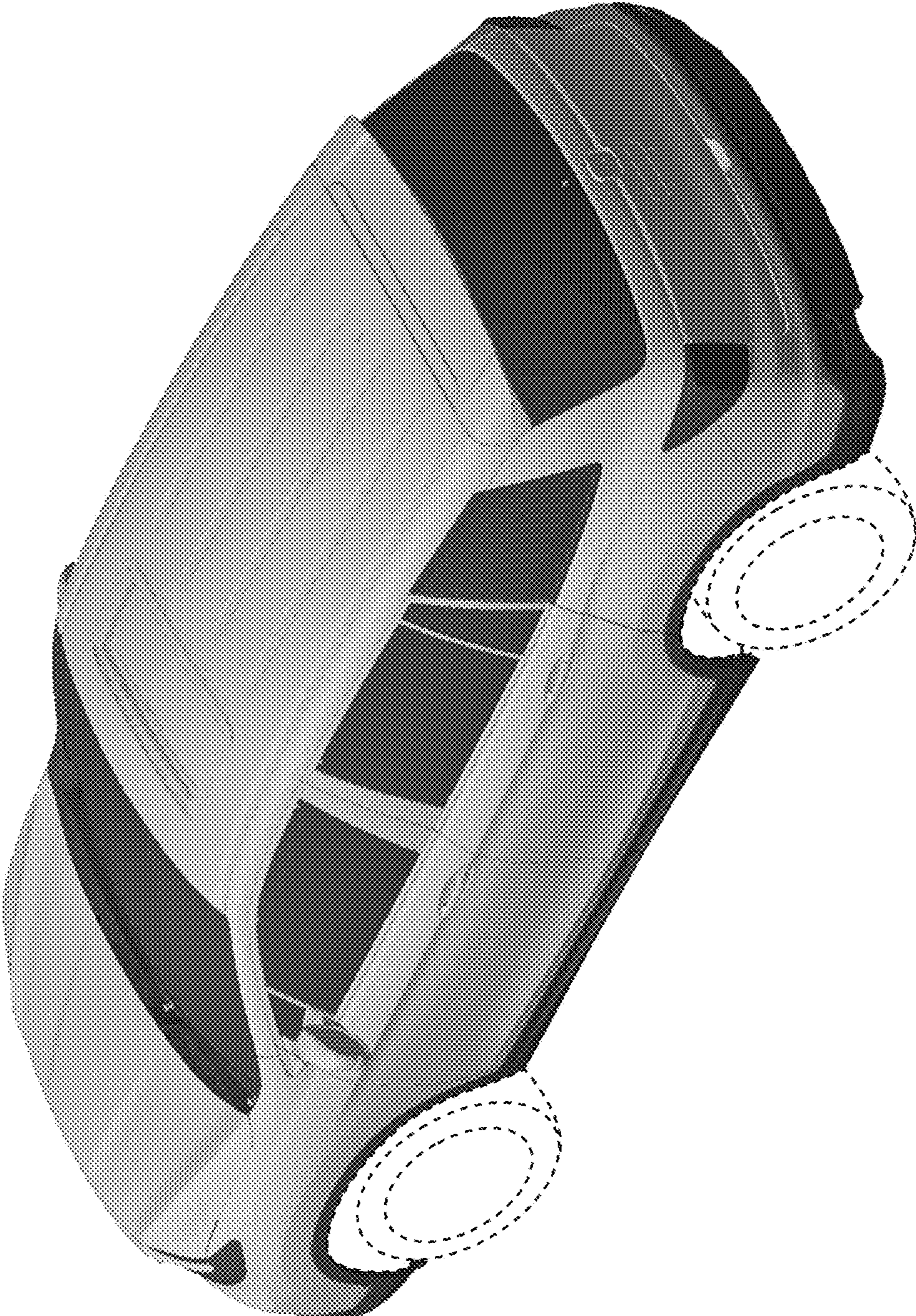


FIG. 4

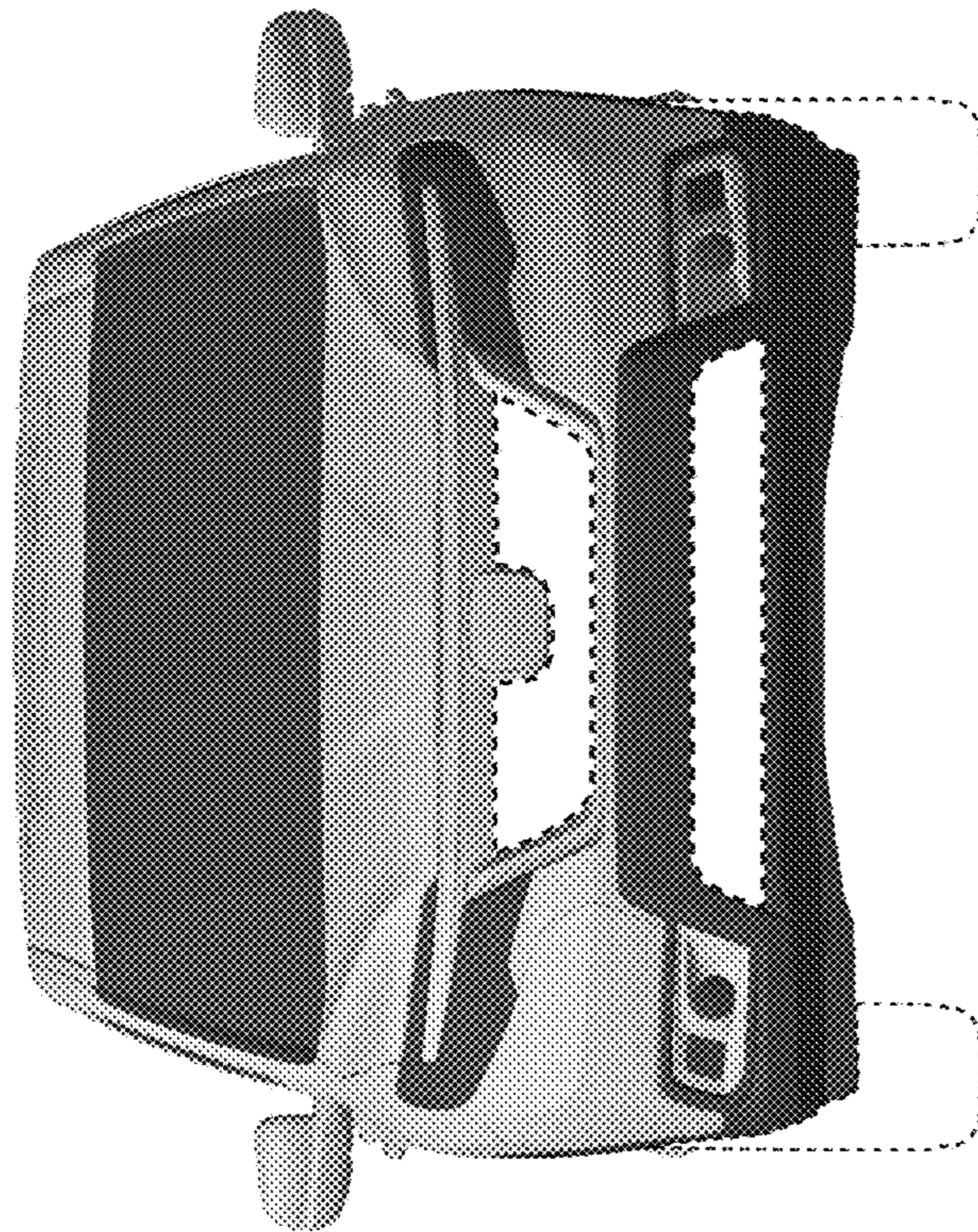


FIG. 5

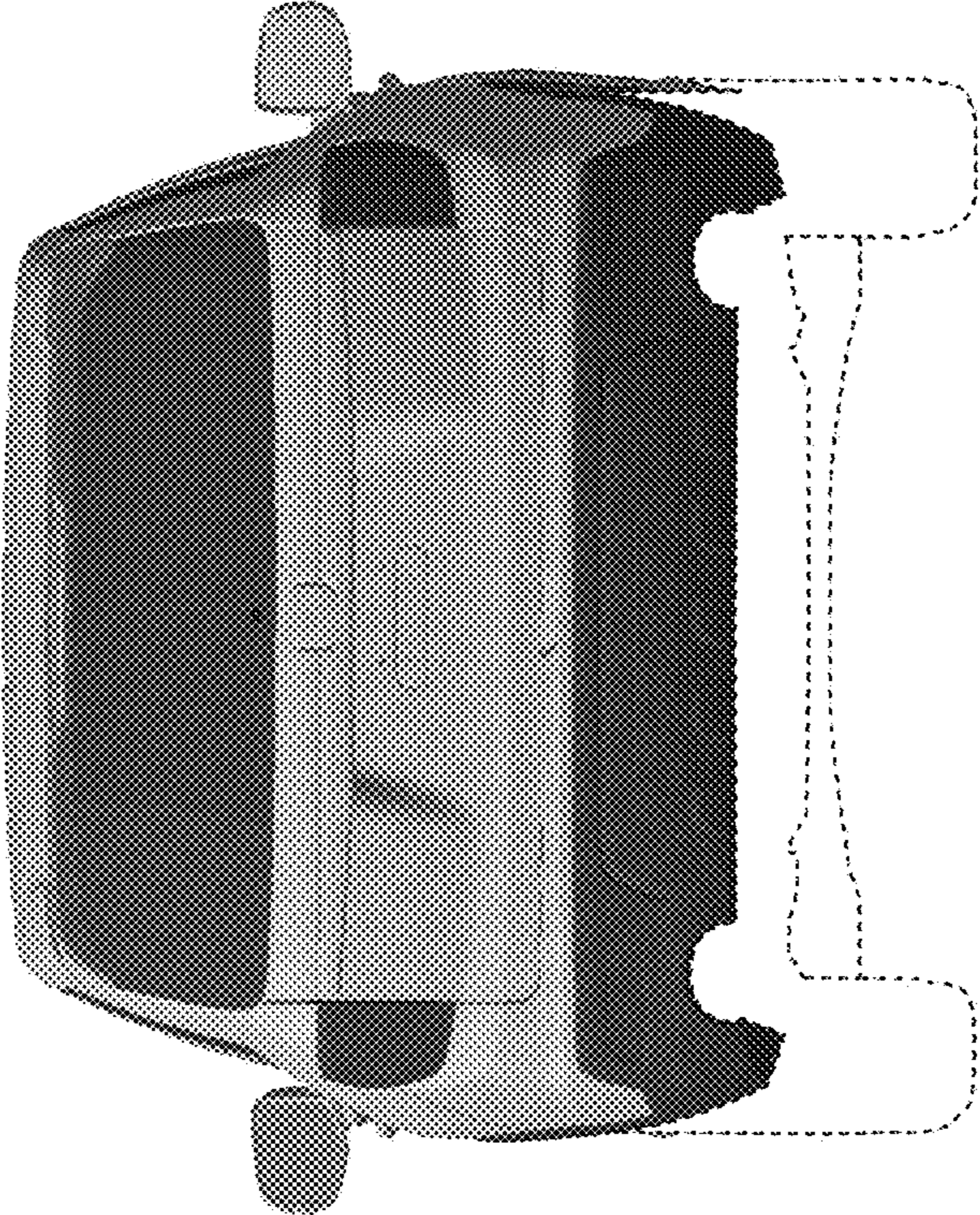


FIG. 6

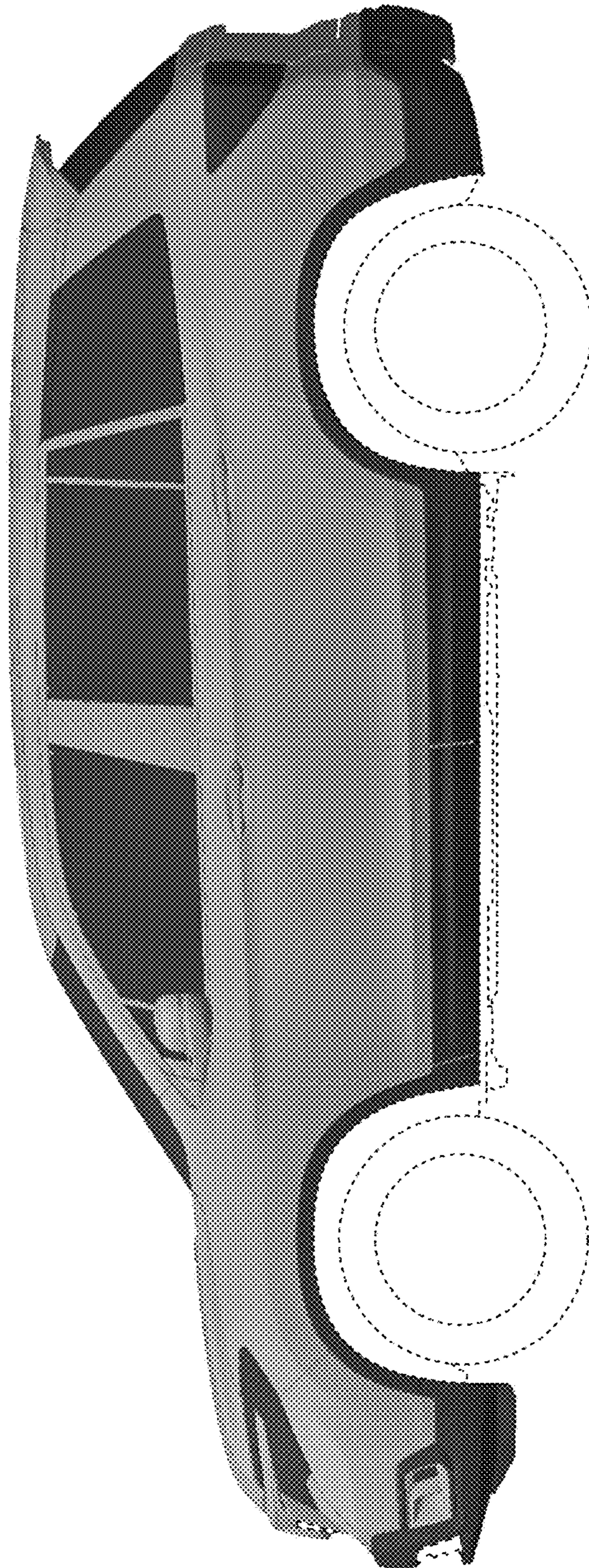


FIG. 7

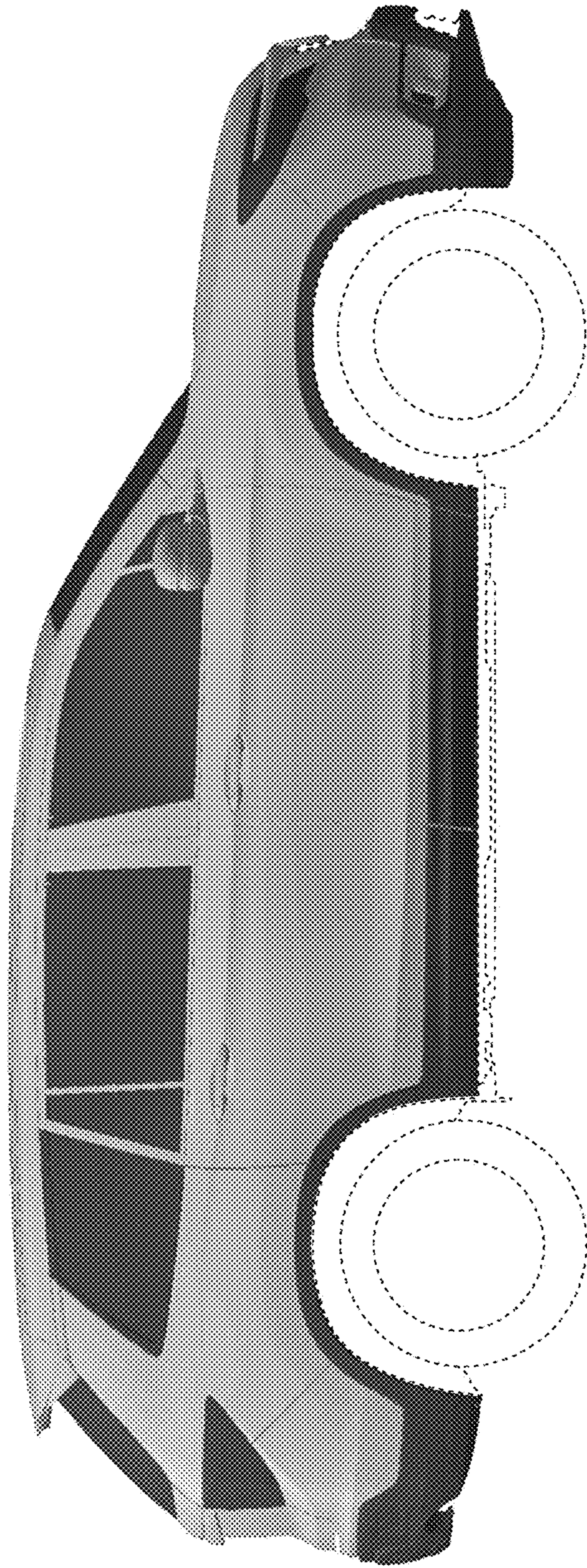


FIG. 8

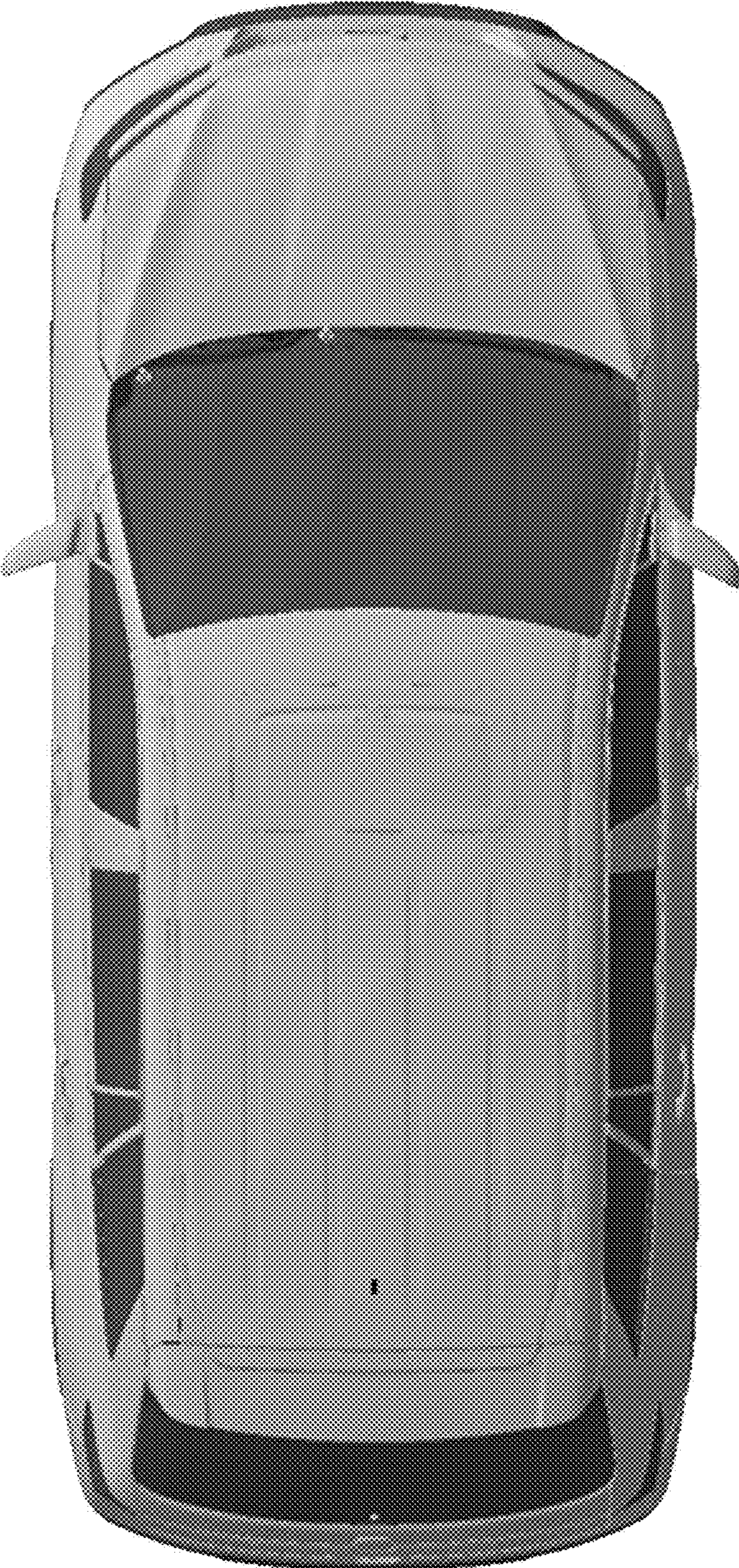


FIG. 9

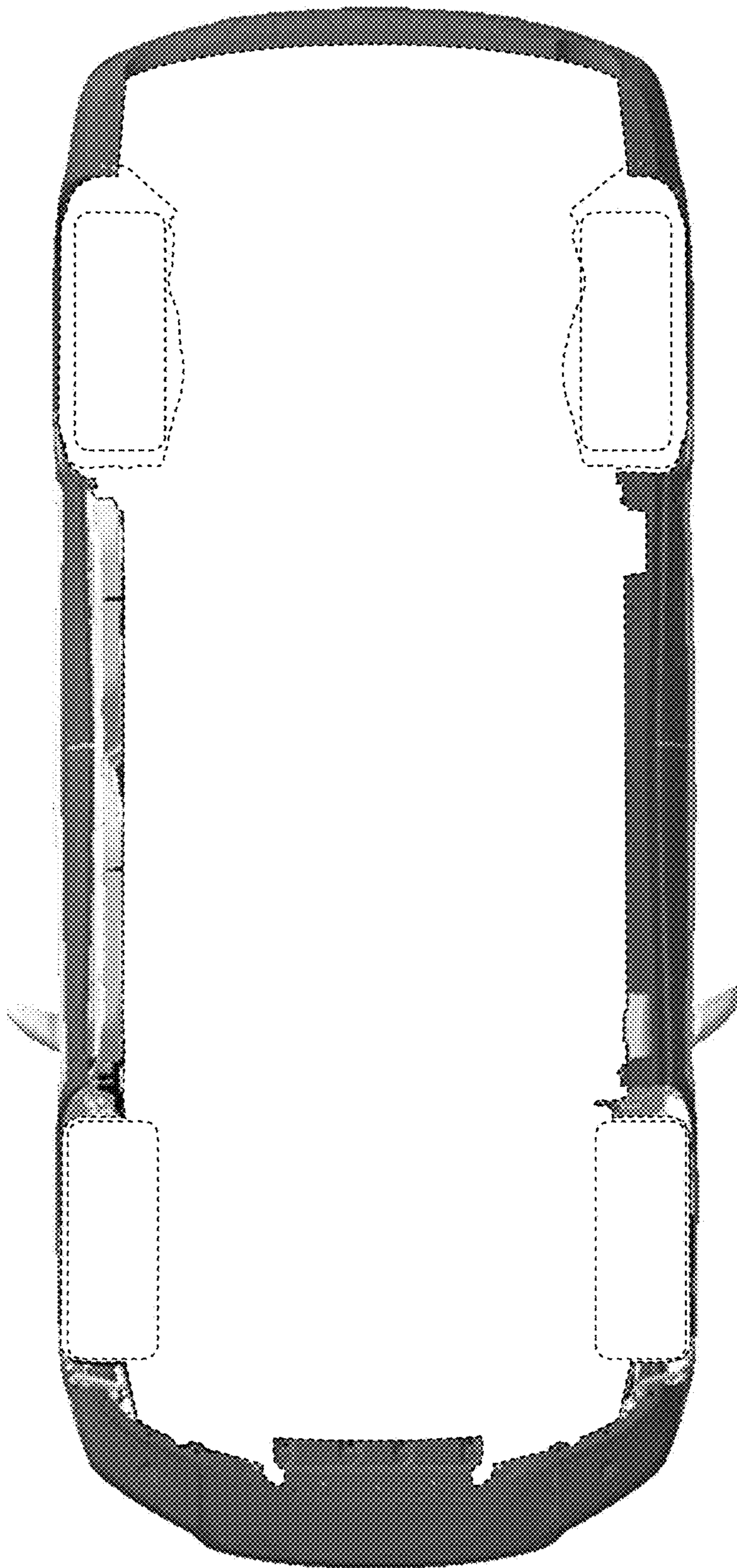


FIG. 10