



US00D883142S

(12) **United States Design Patent**
Hall et al.

(10) **Patent No.:** **US D883,142 S**

(45) **Date of Patent:** **** *May 5, 2020**

- (54) **REVERSE TRIKE VEHICLE**
- (71) Applicants: **David R. Hall**, Provo, UT (US);
Stephen R. Hall, Draper, UT (US);
Christopher Johnson, Provo, UT (US);
Jason Simpson, Provo, UT (US);
Joseph Duncan, Provo, UT (US)
- (72) Inventors: **David R. Hall**, Provo, UT (US);
Stephen R. Hall, Draper, UT (US);
Christopher Johnson, Provo, UT (US);
Jason Simpson, Provo, UT (US);
Joseph Duncan, Provo, UT (US)

4,703,824	A	*	11/1987	Irimajiri	B62D 61/065
					180/210
D404,688	S	*	1/1999	Hanagan	D12/85
6,015,022	A	*	1/2000	Thuliez	B62D 21/04
					180/210
D424,979	S	*	5/2000	Hanagan	D12/85
D427,548	S	*	7/2000	Sacco	D12/85
D449,018	S	*	10/2001	Musser	D12/85
D469,037	S	*	1/2003	Hanagan	D12/85
D584,188	S	*	1/2009	Jenkins	D12/85
D589,844	S	*	4/2009	Aube	D12/85
D592,547	S	*	5/2009	Riley	D12/85
D592,548	S	*	5/2009	Aube	D12/85
D613,203	S	*	4/2010	Geslin	D12/85

(Continued)

(73) Assignee: **Hall Labs LLC**, Provo, UT (US)

Primary Examiner — Darlington Ly

(*) Notice: This patent is subject to a terminal disclaimer.

(**) Term: **15 Years**

(21) Appl. No.: **29/569,188**

(22) Filed: **Jun. 24, 2016**

(51) **LOC (12) Cl.** **12-08**

(52) **U.S. Cl.**
USPC **D12/85**

(58) **Field of Classification Search**
USPC D12/85, 86, 107, 131; D21/424, 433,
D21/434
CPC B62D 21/11; B62D 29/043; B62D 31/00;
B62D 49/00; B62D 61/065; B62L 3/00;
B62K 3/005; B62K 5/01; B62K 5/08;
B62K 5/027
See application file for complete search history.

(56) **References Cited**

U.S. PATENT DOCUMENTS

D260,871	S	*	9/1981	Cargile	D12/85
4,573,546	A	*	3/1986	Irimajiri	B62D 61/065
					180/211

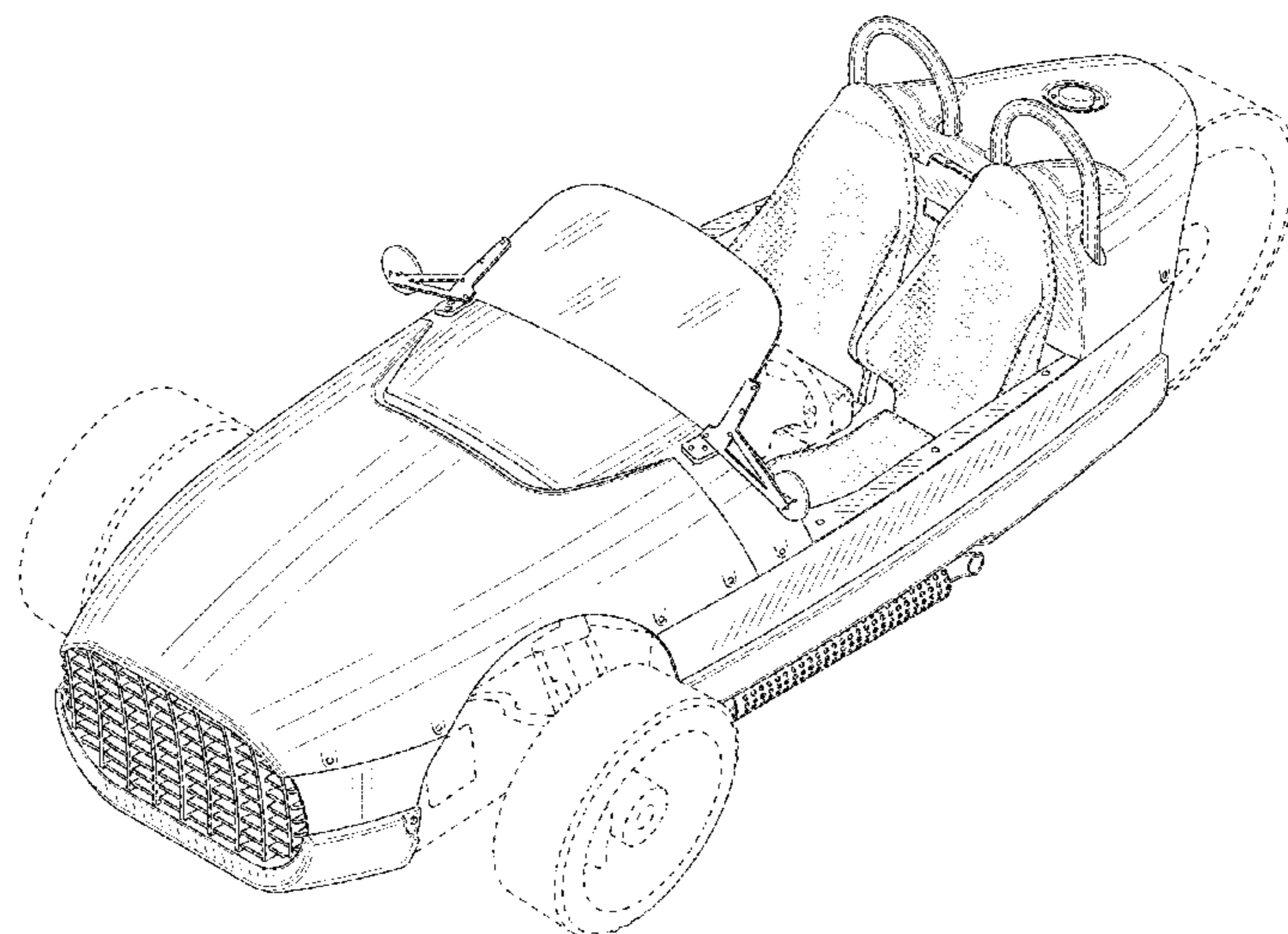
(57) **CLAIM**

The ornamental design for a reverse trike vehicle, as shown and described.

DESCRIPTION

FIG. 1 is a top, front, and left-side perspective view of a reverse trike vehicle showing our new design;
FIG. 2 is a left-side elevation view thereof;
FIG. 3 is a top plan view thereof;
FIG. 4 is a rear elevation view thereof;
FIG. 5 is a front elevation view thereof;
FIG. 6 is a top, rear, and right-side perspective view thereof;
FIG. 7 is a top and right-side perspective view thereof;
FIG. 8 is a top, rear, and left-side perspective view thereof.
FIG. 9 is a rear and right-side perspective view thereof;
FIG. 10 is a rear and left-side perspective view thereof; and,
FIG. 11 is a top, rear, and left-side perspective view thereof.
The broken lines in the drawings illustrate portions of the reverse trike vehicle that form no part of the claimed design.

1 Claim, 11 Drawing Sheets



(56)

References Cited

U.S. PATENT DOCUMENTS

D626,032	S	*	10/2010	Starr	D12/85
D633,821	S	*	3/2011	Hill	D12/85
D666,127	S	*	8/2012	Nam	D12/85
D678,124	S	*	3/2013	Canni	D12/85
D682,158	S	*	5/2013	Canni	D12/85
2012/0241239	A1	*	9/2012	Holroyd	B62K 5/05 180/210

* cited by examiner

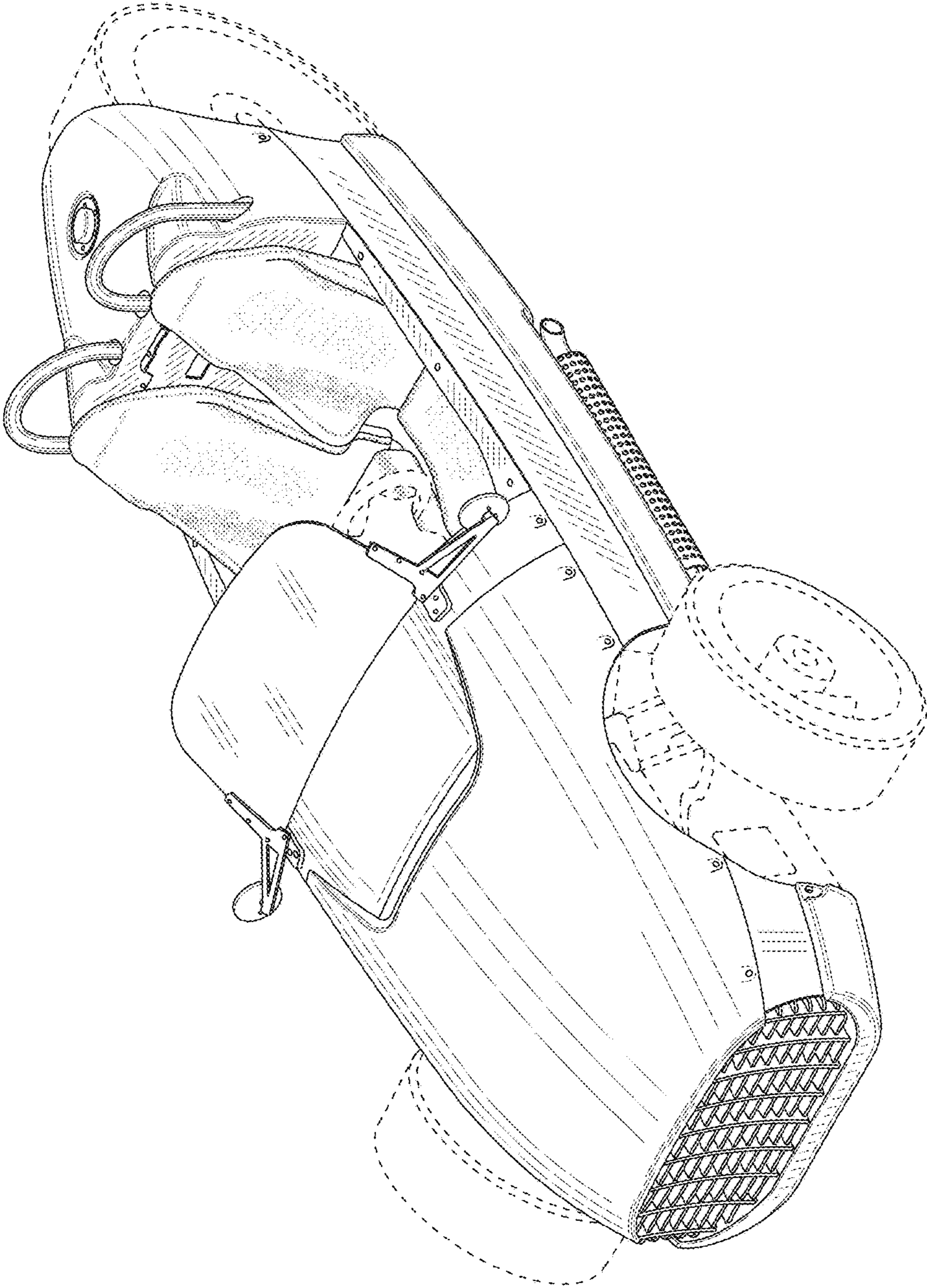


FIG. 1

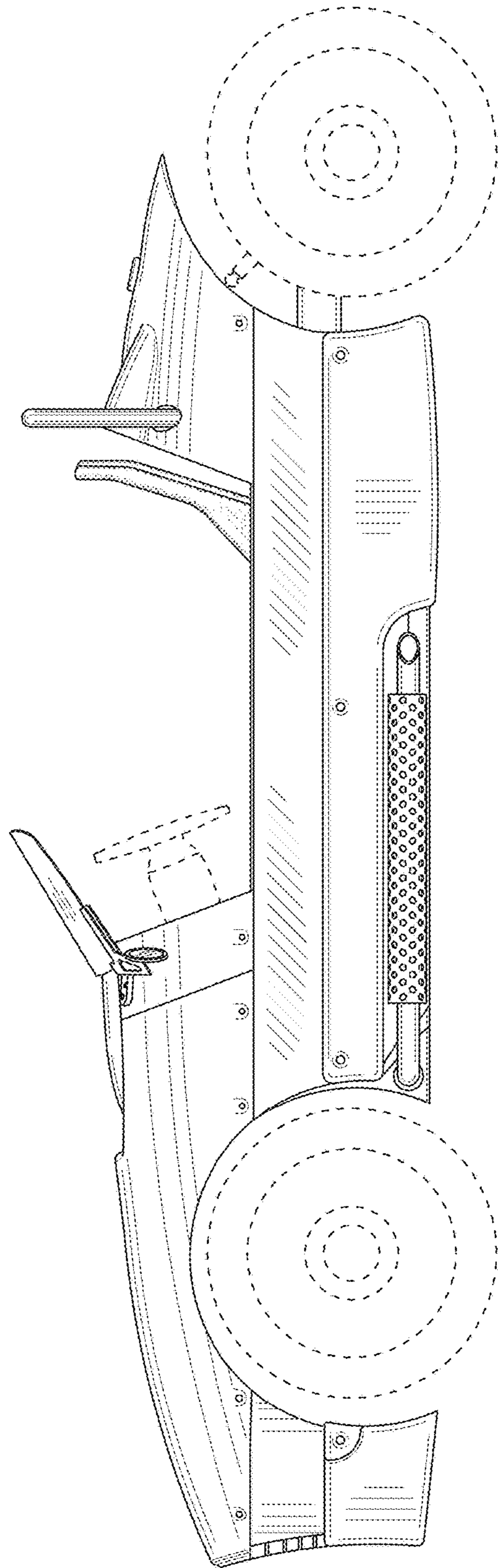


FIG. 2

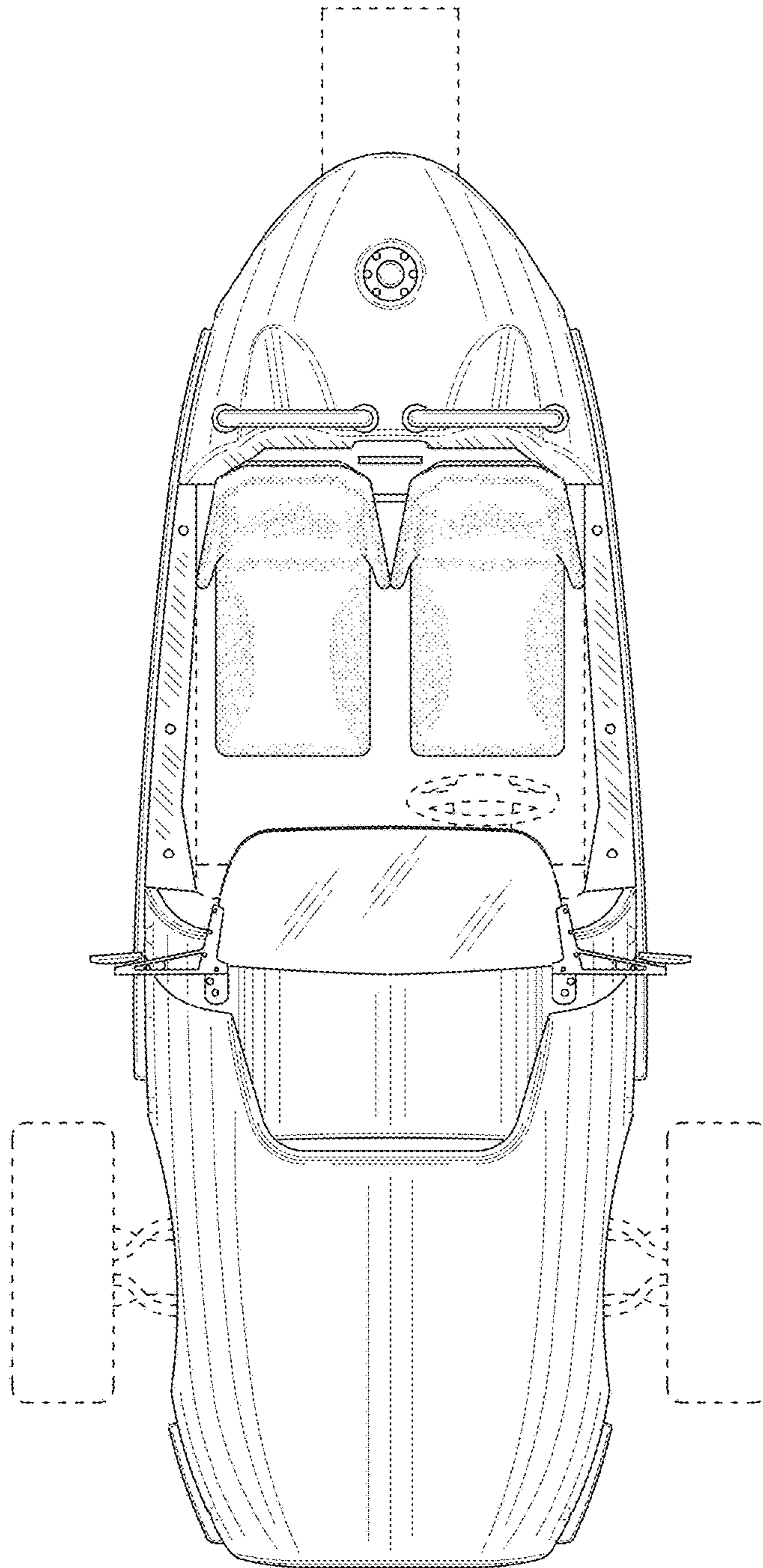


FIG. 3

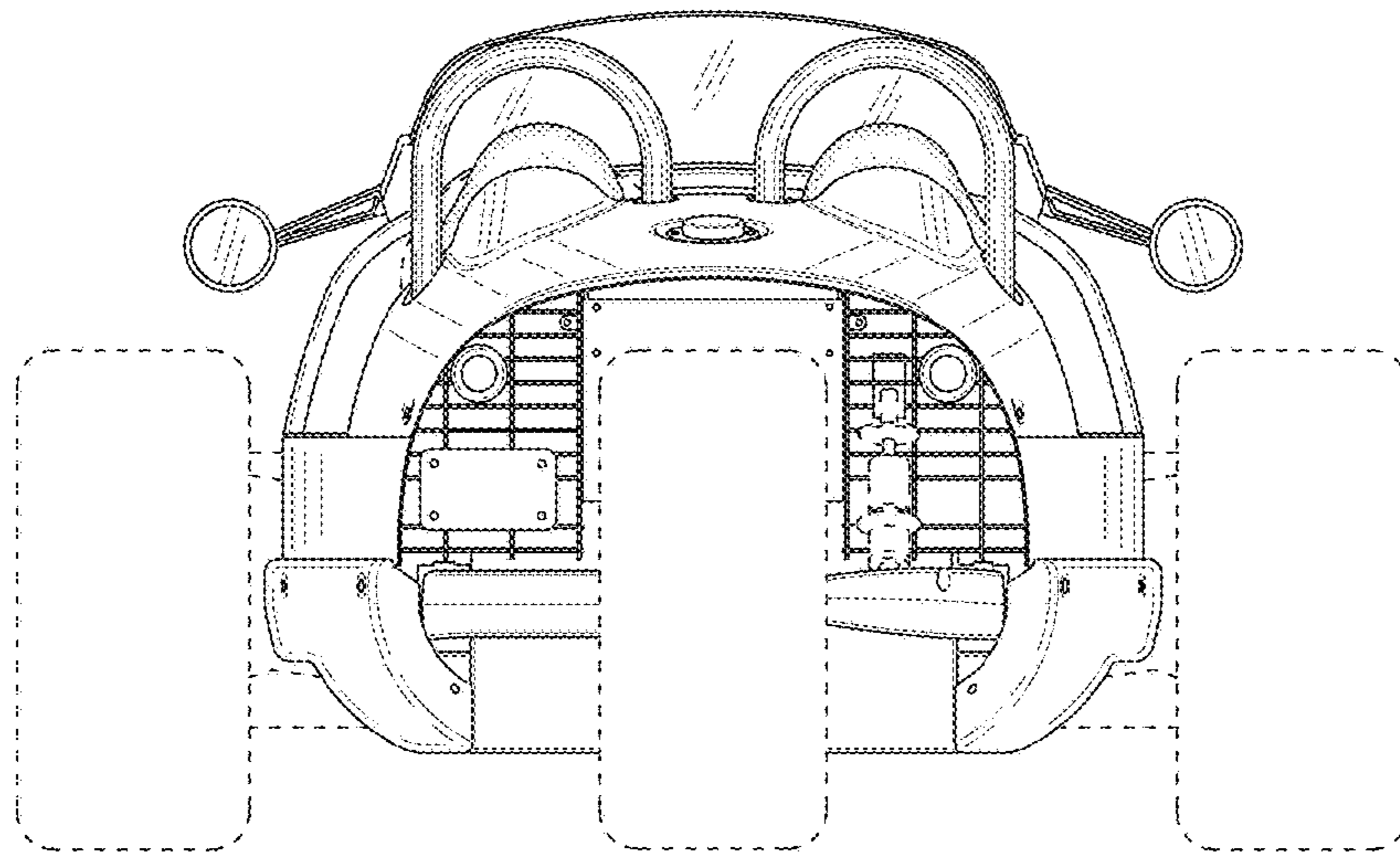


FIG. 4

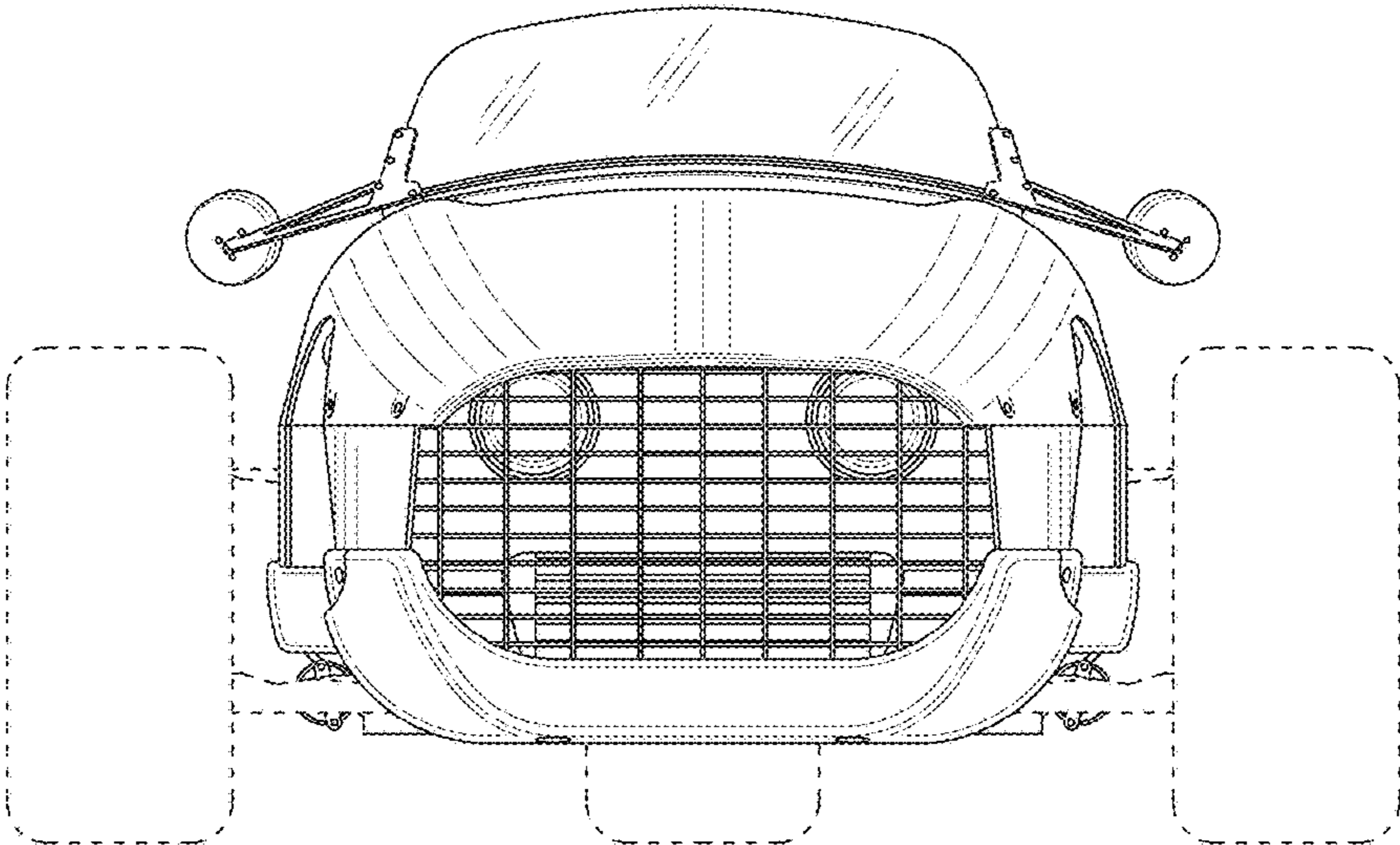


FIG. 5

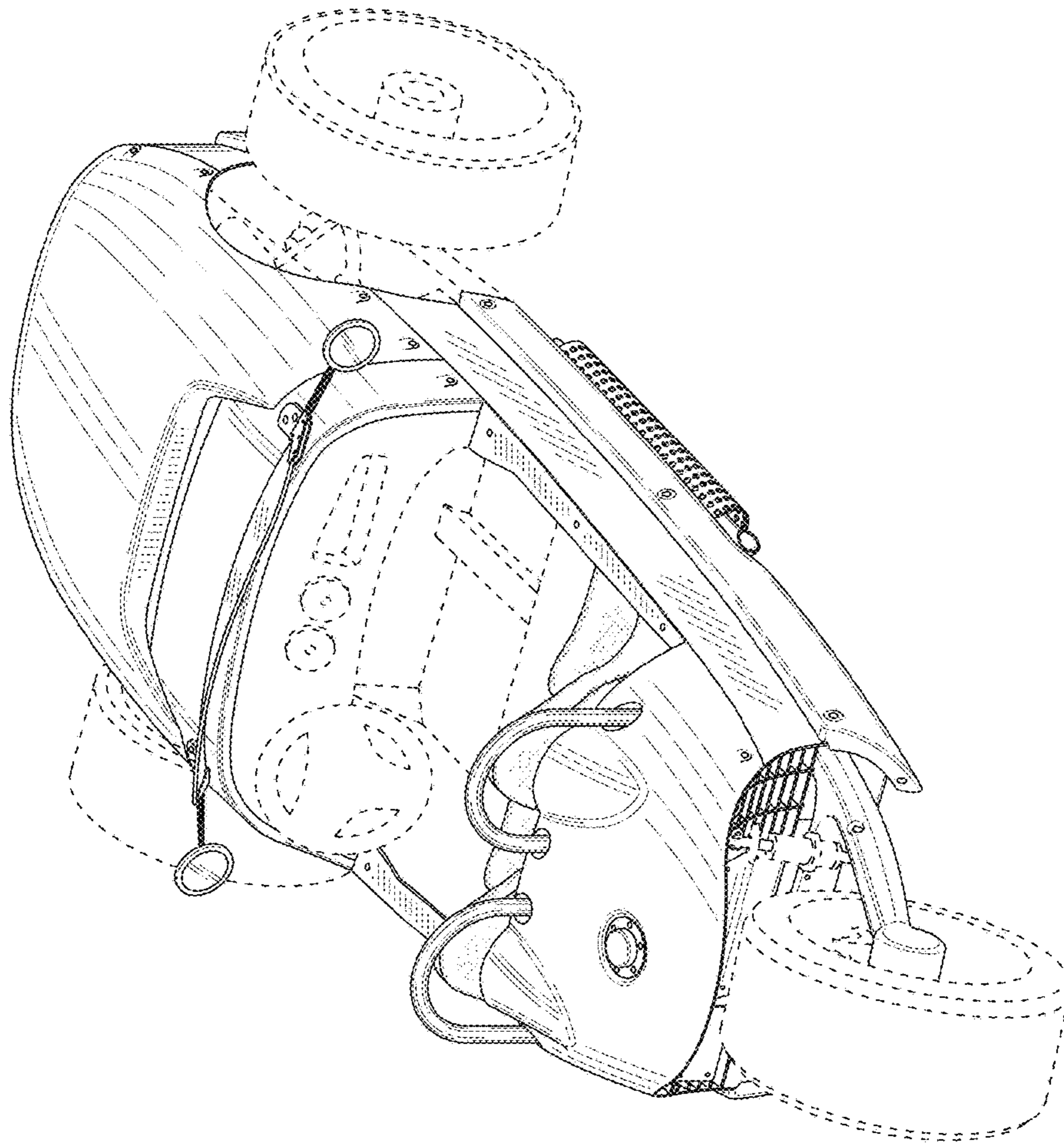


FIG. 6

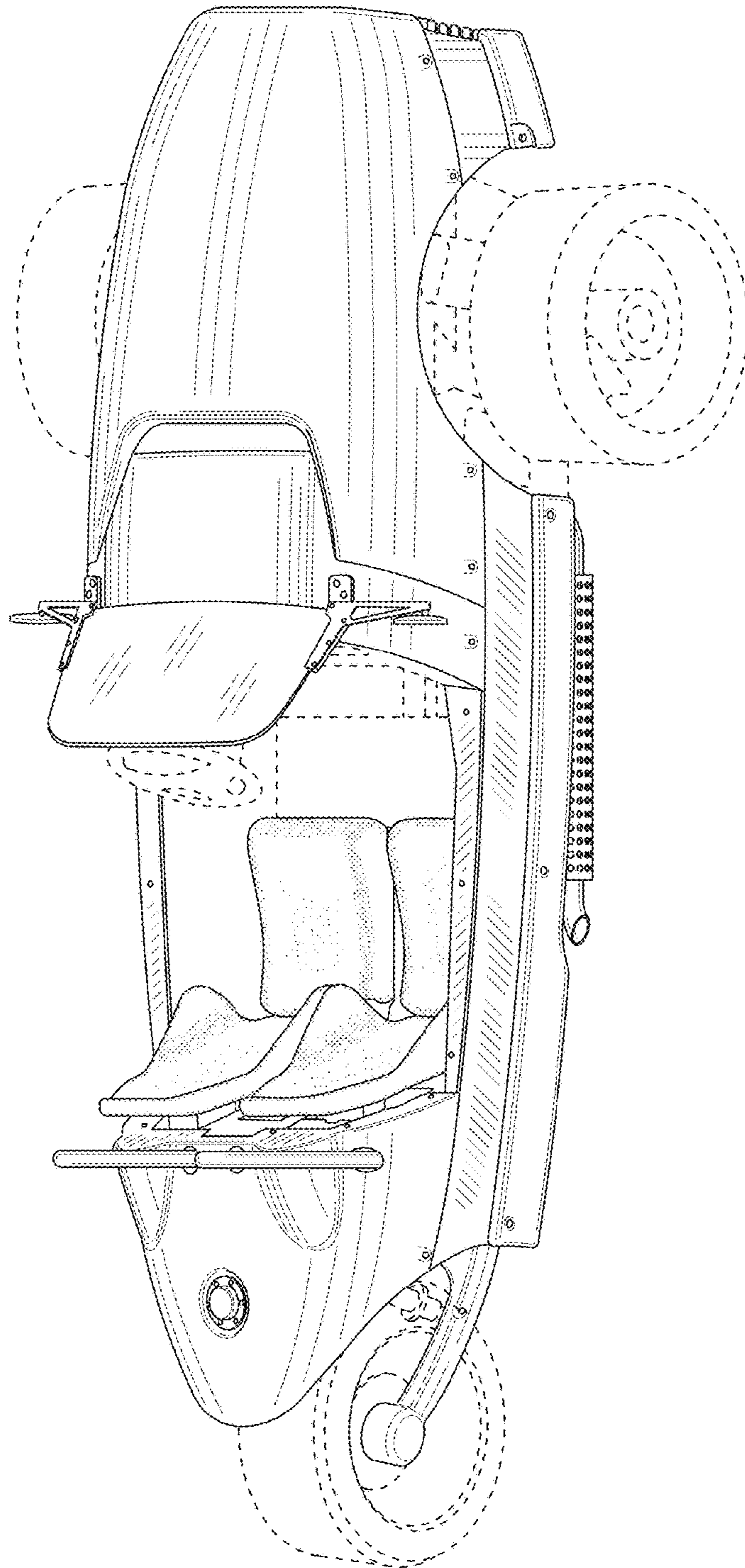


FIG. 7

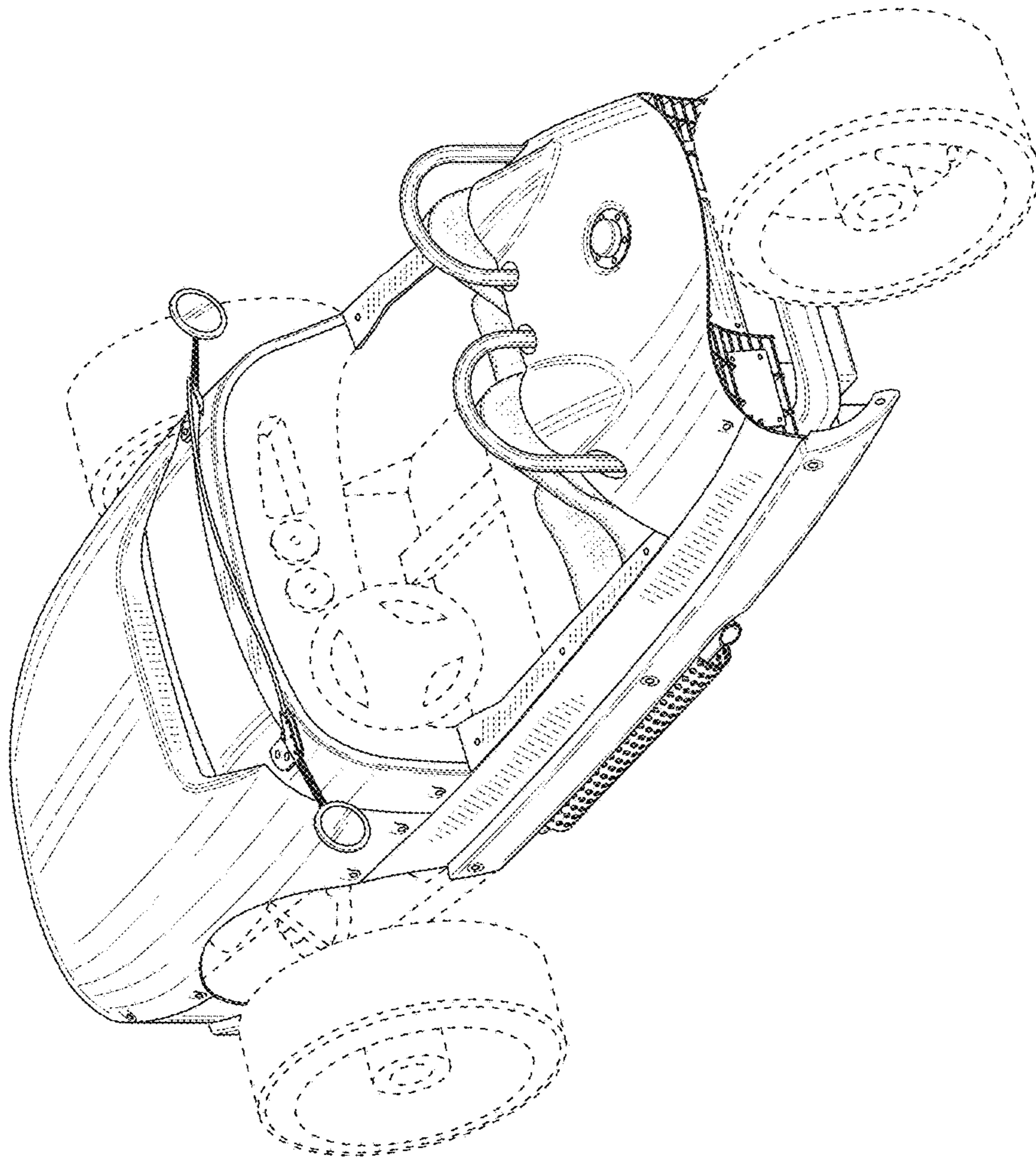


FIG. 8

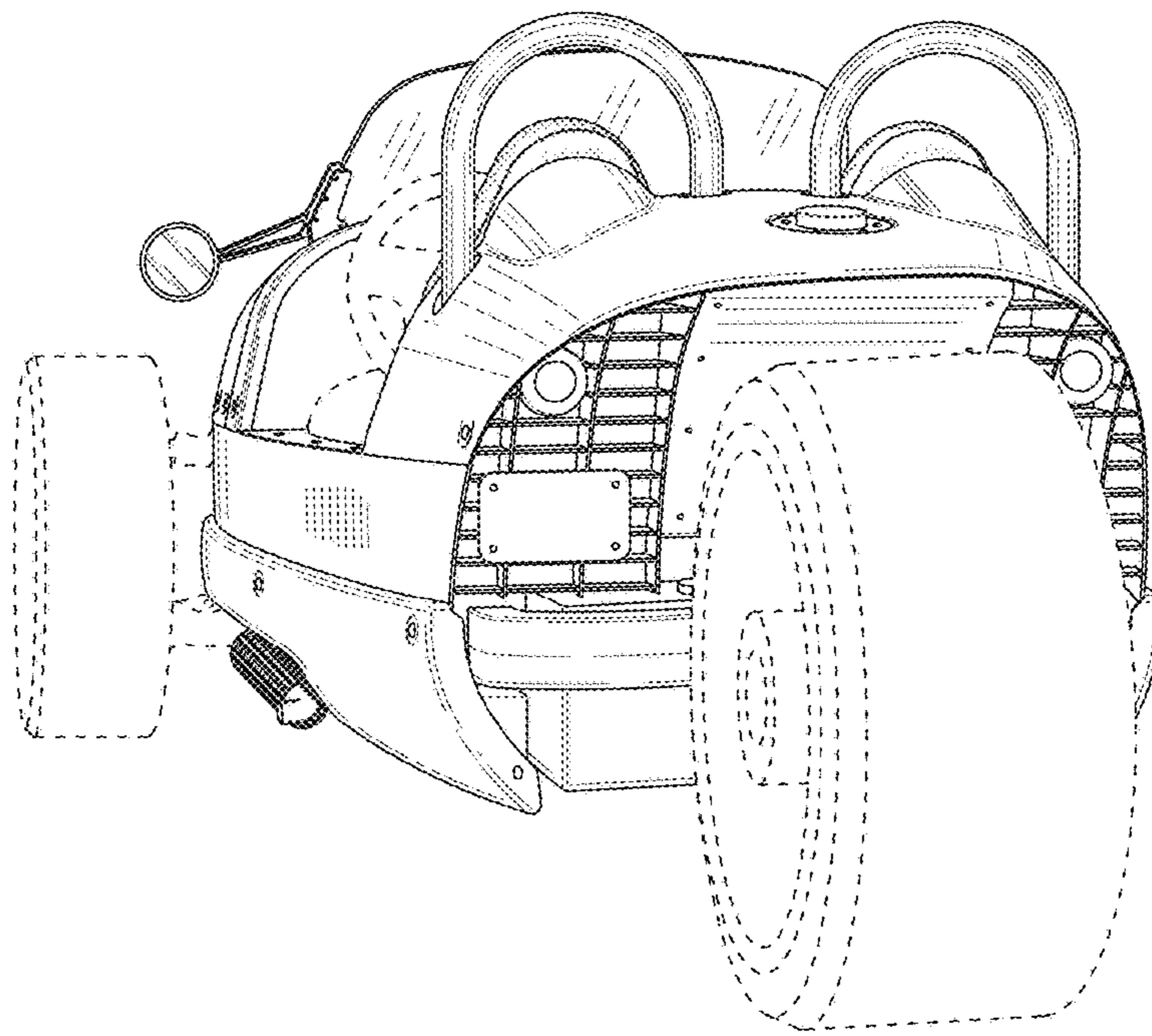


FIG. 9

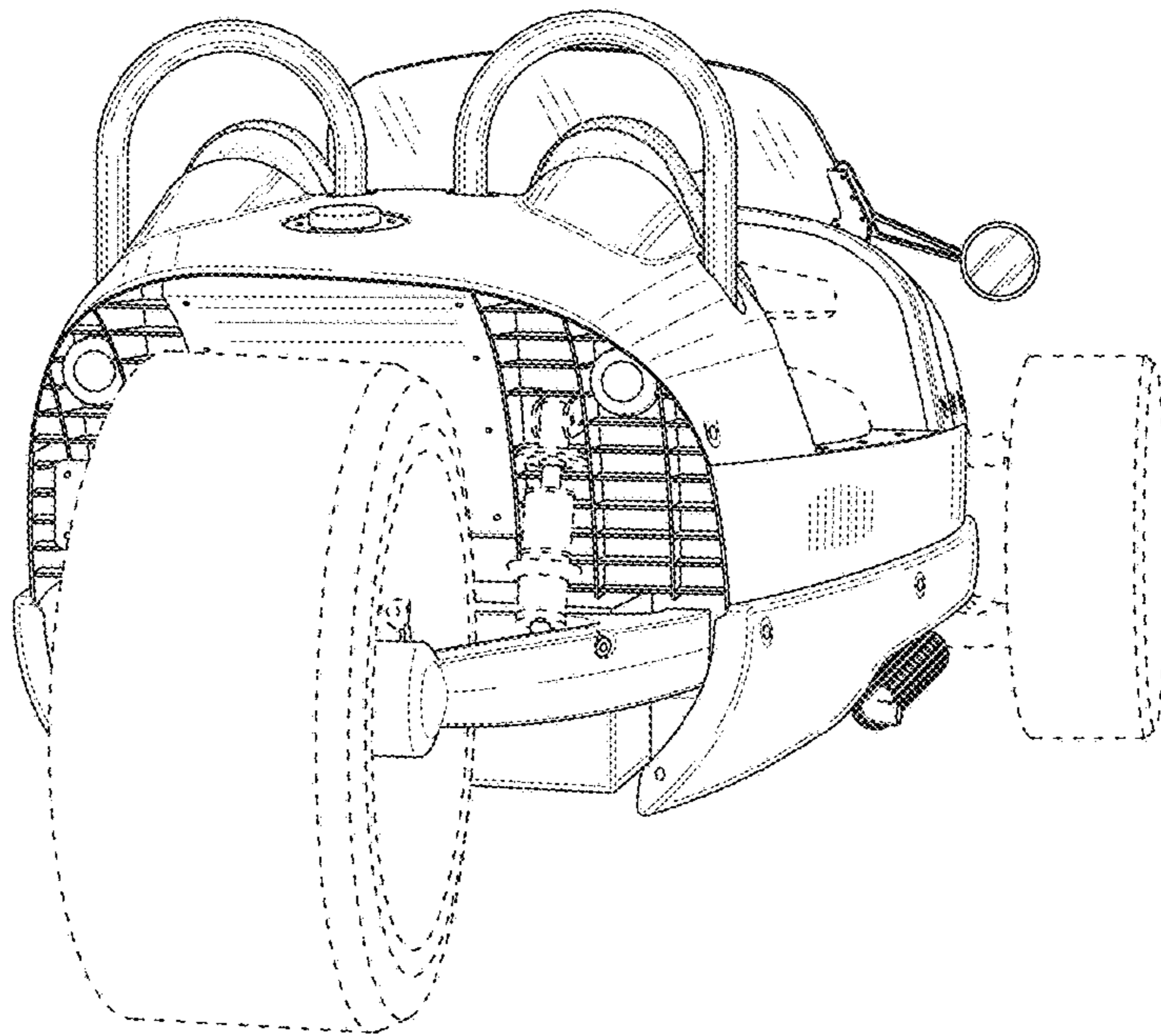


FIG. 10

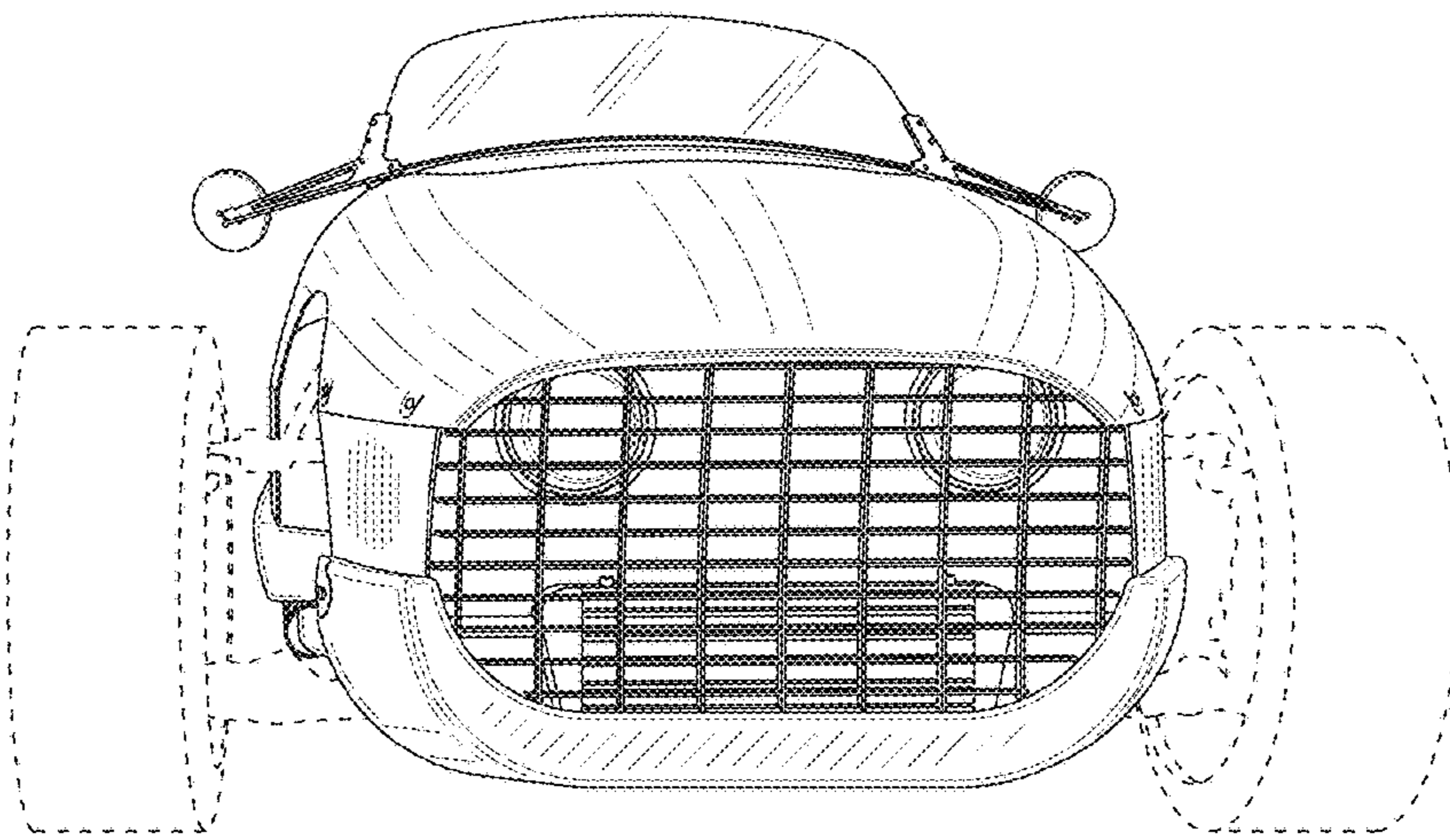


FIG. 11